



US00D635422S

(12) **United States Design Patent**  
**Wegener et al.**

(10) **Patent No.:** **US D635,422 S**

(45) **Date of Patent:** **\*\* Apr. 5, 2011**

(54) **BOTTLE OPENER RING**

(76) Inventors: **Mark Peter Wegener**, Sacramento, CA (US); **Wendi Lee Wegener**, Sacramento, CA (US); **Amy Jennifer Guthrie**, Sacramento, CA (US)

(\*\*) Term: **14 Years**

(21) Appl. No.: **29/355,391**

(22) Filed: **Feb. 5, 2010**

(51) **LOC (9) Cl.** ..... **07-99**

(52) **U.S. Cl.** ..... **D8/34; D11/26**

(58) **Field of Classification Search** ..... D8/14, D8/16-20, 33-43, 88, 89, 105; D11/3, 4, D11/26-39, 89-92; 7/113, 151-156; 30/400-410, 30/416-430, 433, 434, 443, 450; 81/3.07, 81/3.09, 3.2, 3.27, 3.29, 3.31, 3.35, 3.37, 81/3.4, 3.45, 3.48, 3.49, 3.55

See application file for complete search history.

(56) **References Cited**

**U.S. PATENT DOCUMENTS**

888,580	A *	5/1908	Brinn	81/3.41
D292,499	S *	10/1987	Eddy	D8/40
4,825,728	A *	5/1989	Mitchell	81/3.09
D337,708	S *	7/1993	Morris, Jr.	D8/34
D454,765	S *	3/2002	Jansson	D8/40
D504,635	S *	5/2005	Jones	D11/26
D523,711	S *	6/2006	Ryan et al.	D8/34

D523,770	S *	6/2006	Arlanda	D11/26
7,143,666	B1 *	12/2006	Gutierrez	81/3.55
2002/0189406	A1 *	12/2002	Hahn	81/3.55
2004/0103759	A1 *	6/2004	Brailsford et al.	81/3.55
2005/0126344	A1 *	6/2005	Jones	81/3.55
2010/0212458	A1 *	8/2010	Wegener et al.	81/3.09

\* cited by examiner

*Primary Examiner* — Garth Rademaker

(74) *Attorney, Agent, or Firm* — John P. O'Banion

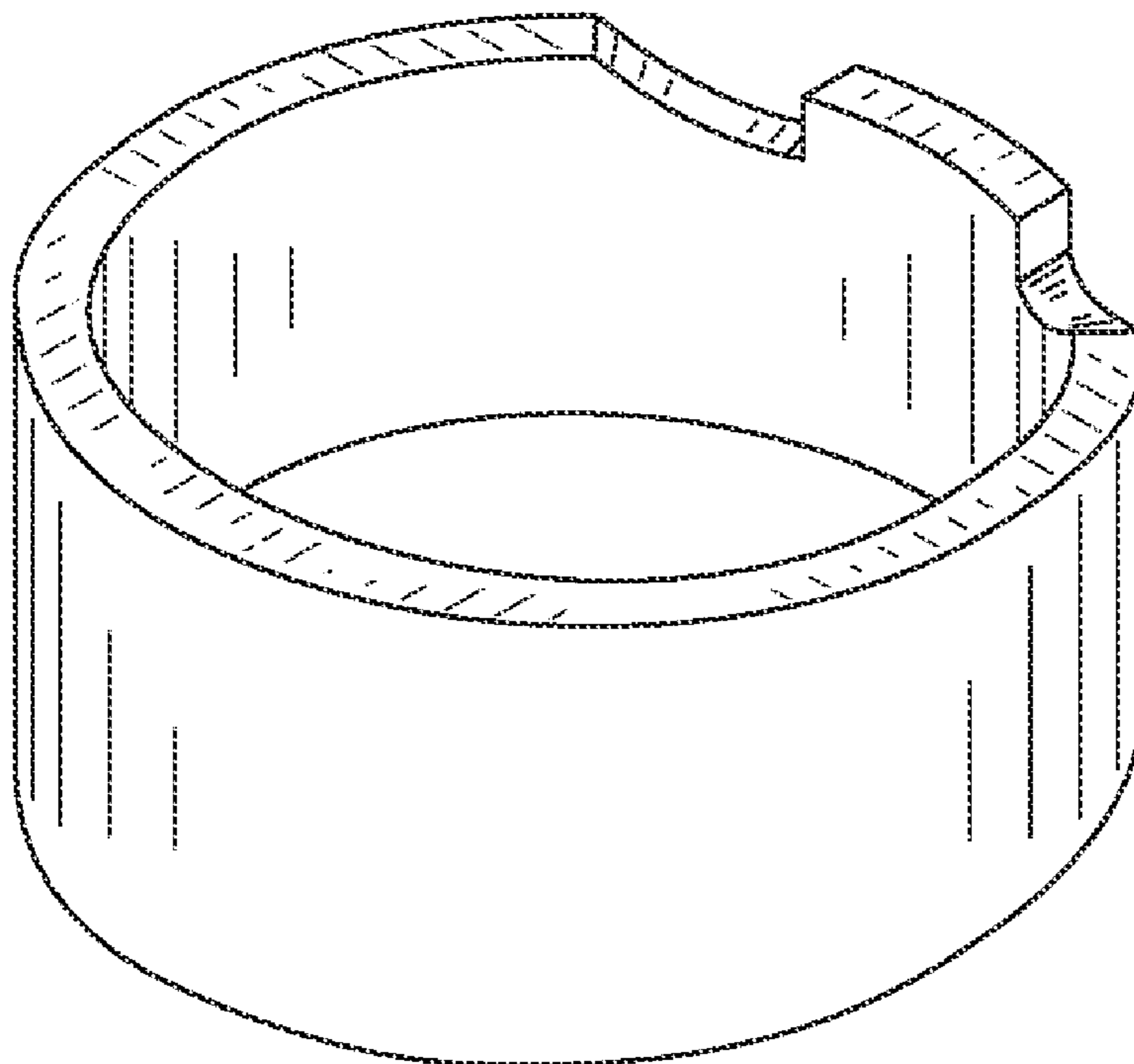
(57) **CLAIM**

The ornamental design for a bottle opener ring, as shown and described.

**DESCRIPTION**

FIG. 1 is a front, bottom, left side perspective view of a bottle opener ring, showing the new design; FIG. 2 is a front elevation view thereof; FIG. 3 is a back elevation view thereof; FIG. 4 is a bottom plan view thereof; FIG. 5 is a top plan view thereof. FIG. 6 is a right side elevation view thereof, the left side elevation view being a mirror image thereof; FIG. 7 is a bottom plan view thereof, including a platform element shown in broken lines and forming no part of the claimed design; and, FIG. 8 is a top plan view thereof, including a platform element shown in broken lines and forming no part of the claimed design.

**1 Claim, 3 Drawing Sheets**



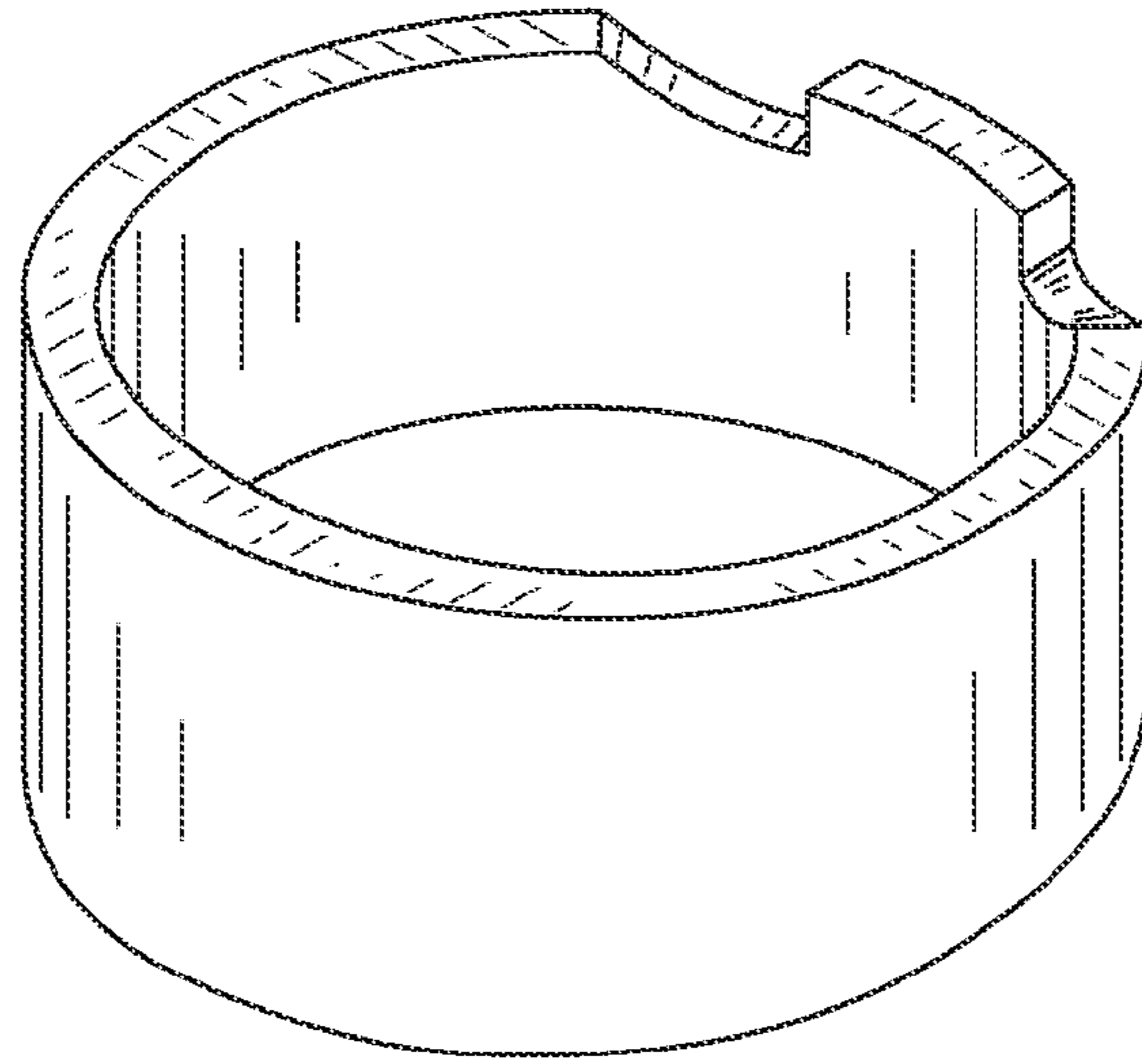


FIG. 1

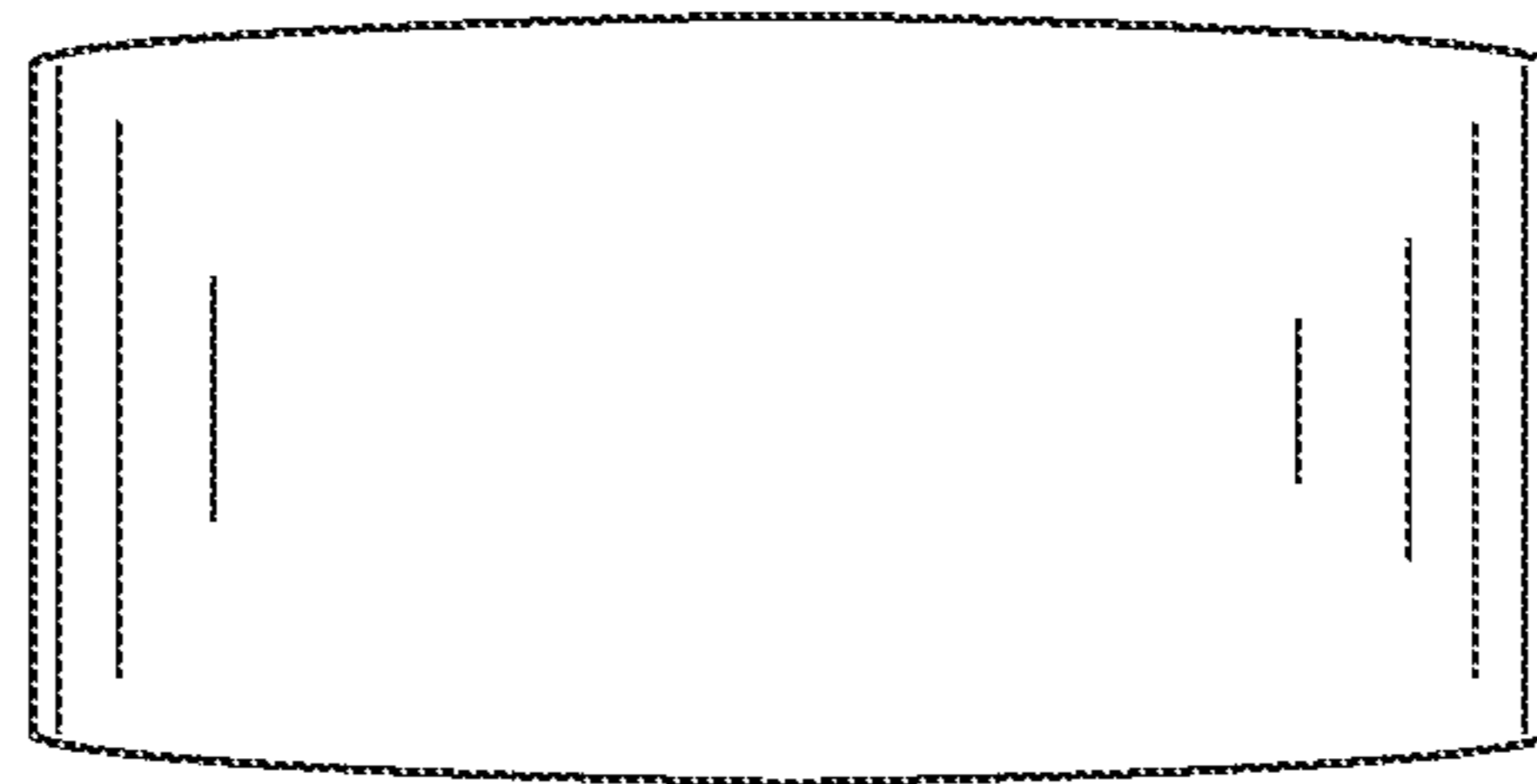


FIG. 2

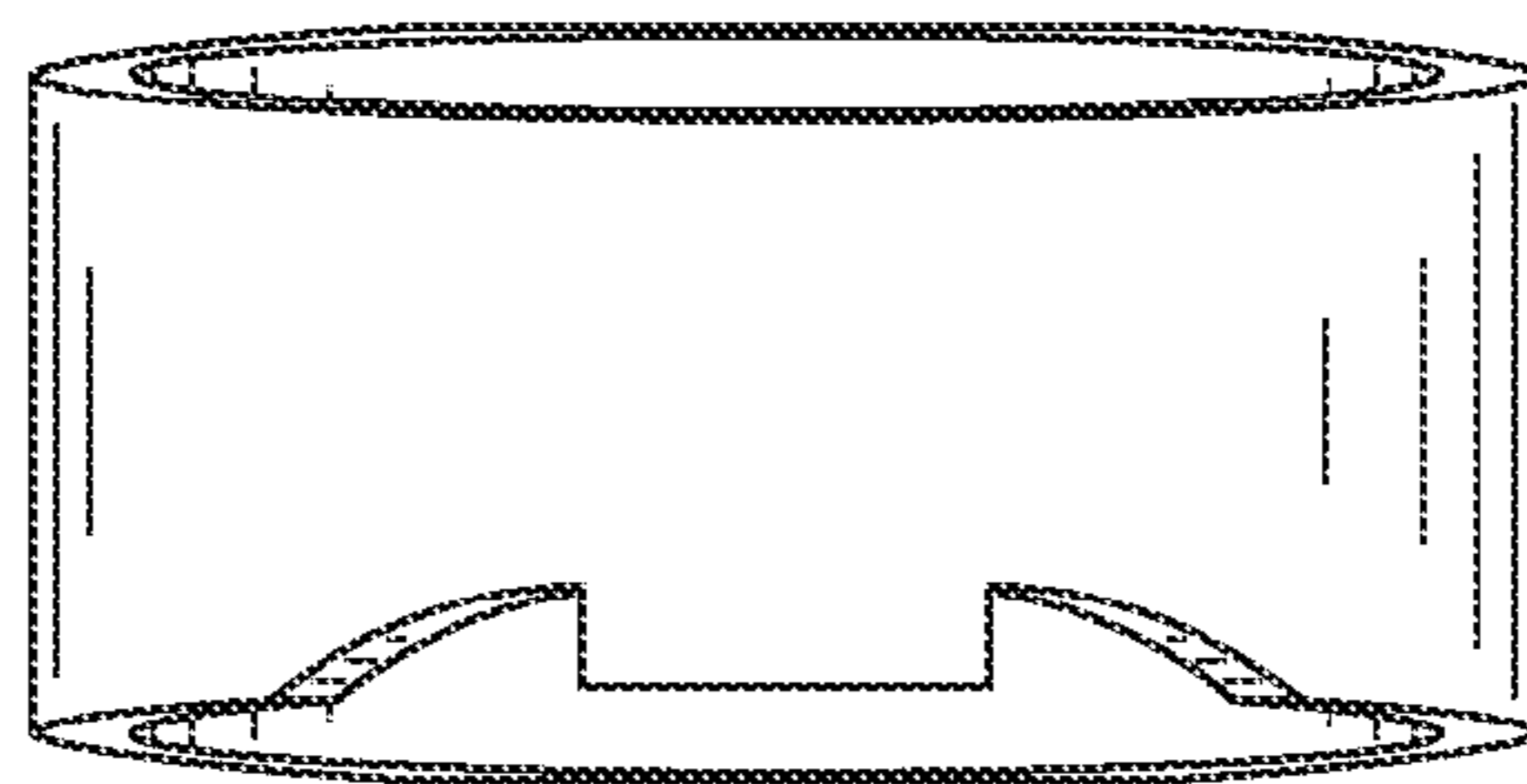
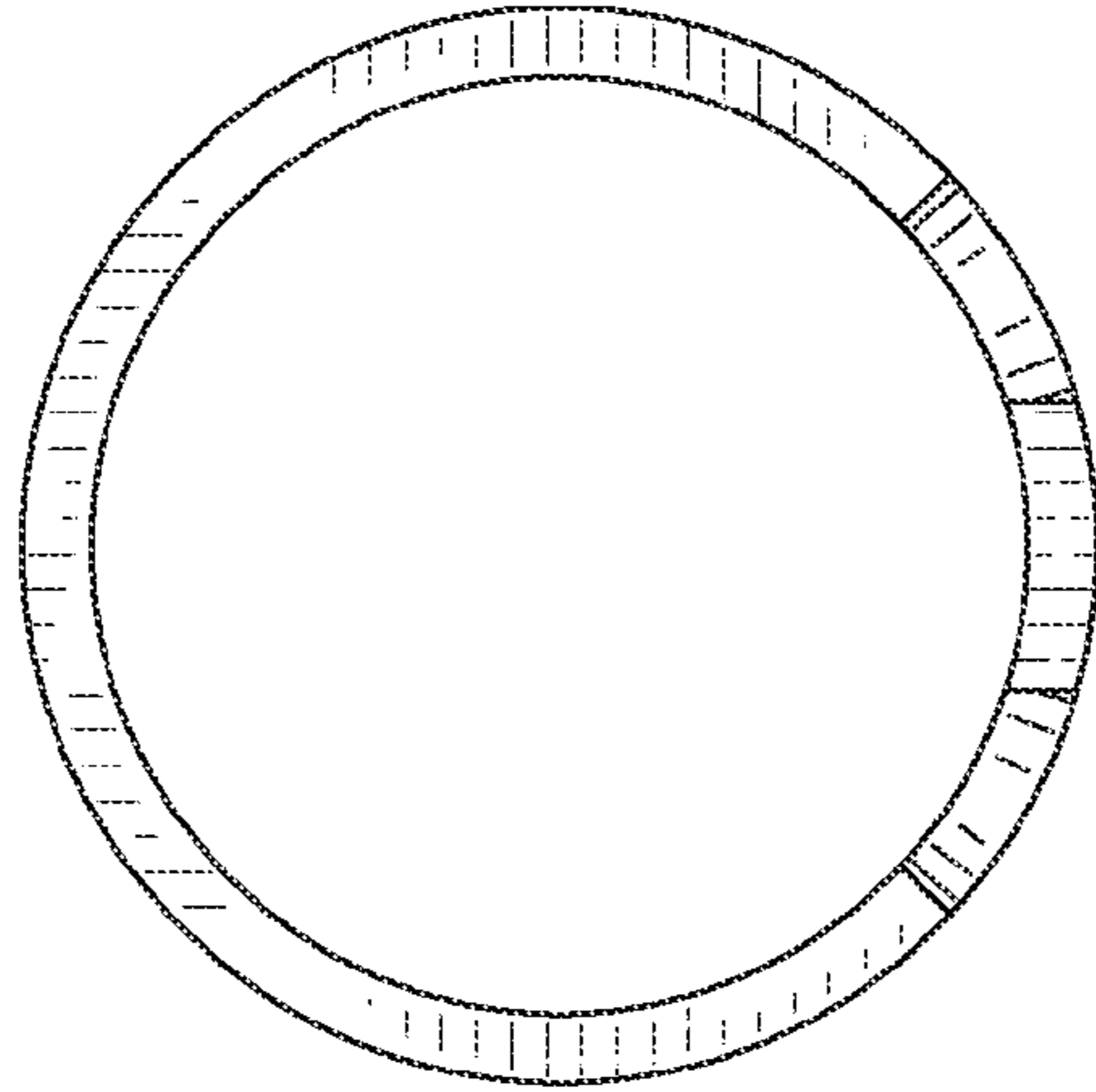
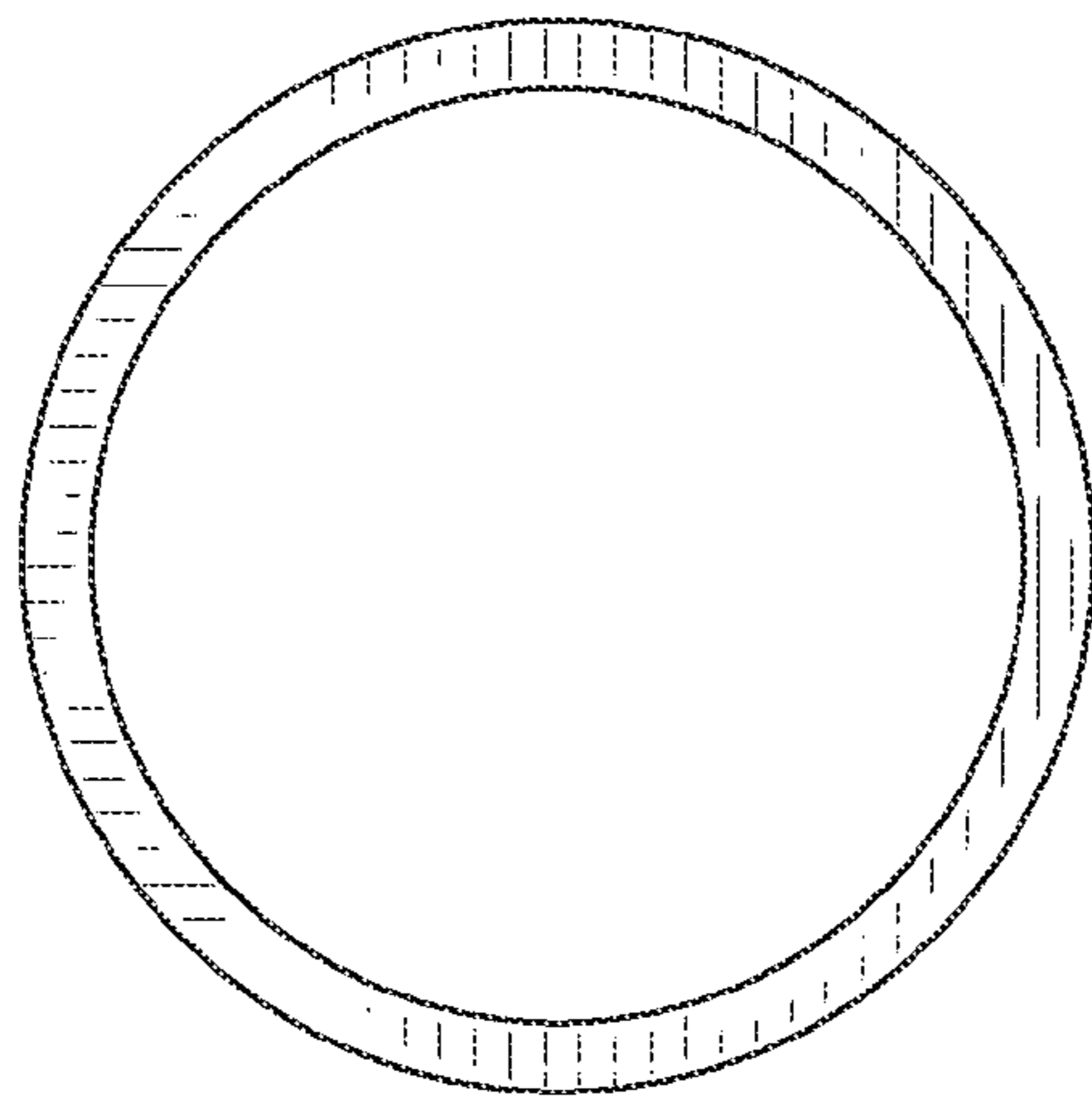


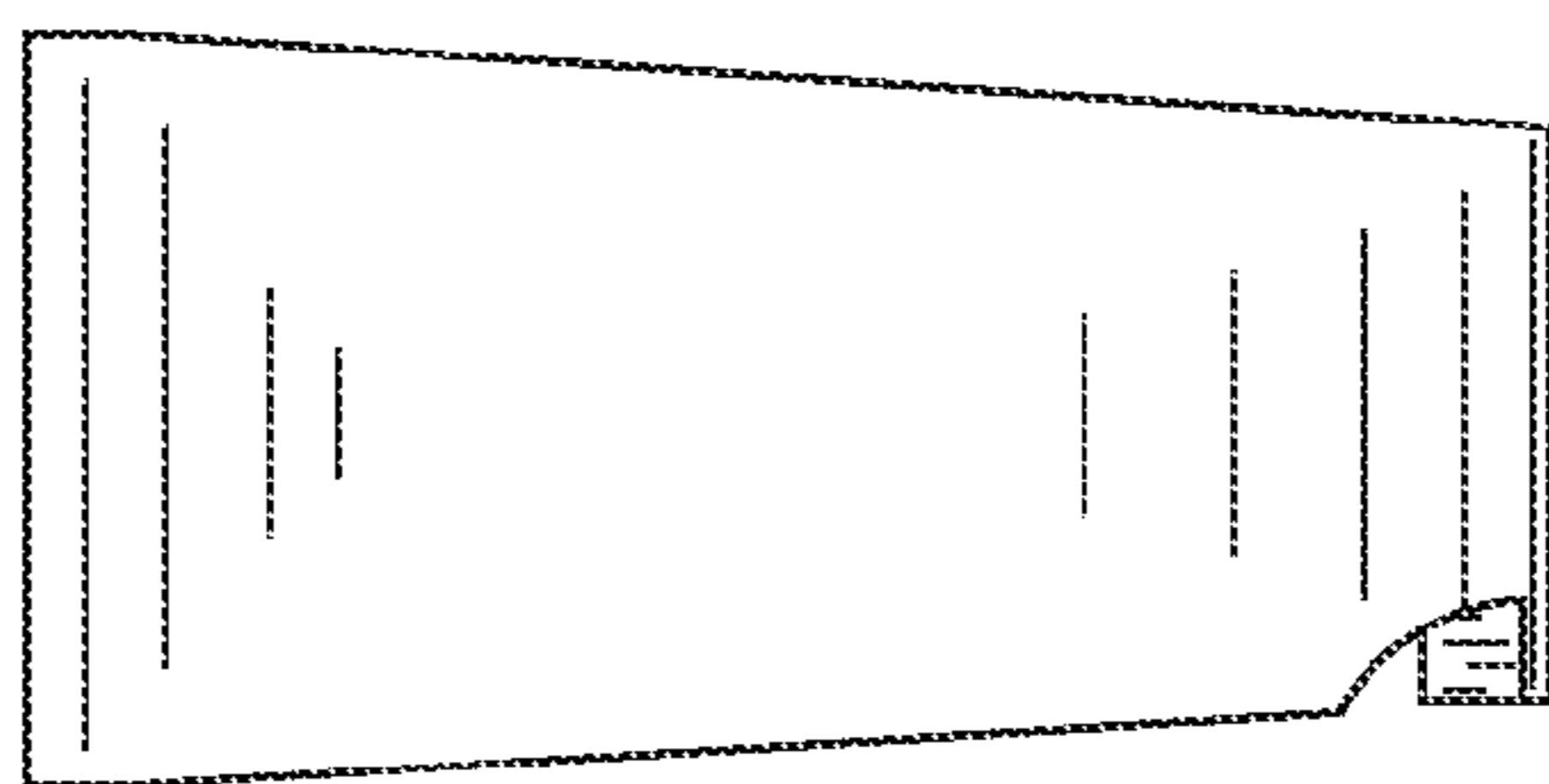
FIG. 3



**FIG. 4**



**FIG. 5**



**FIG. 6**

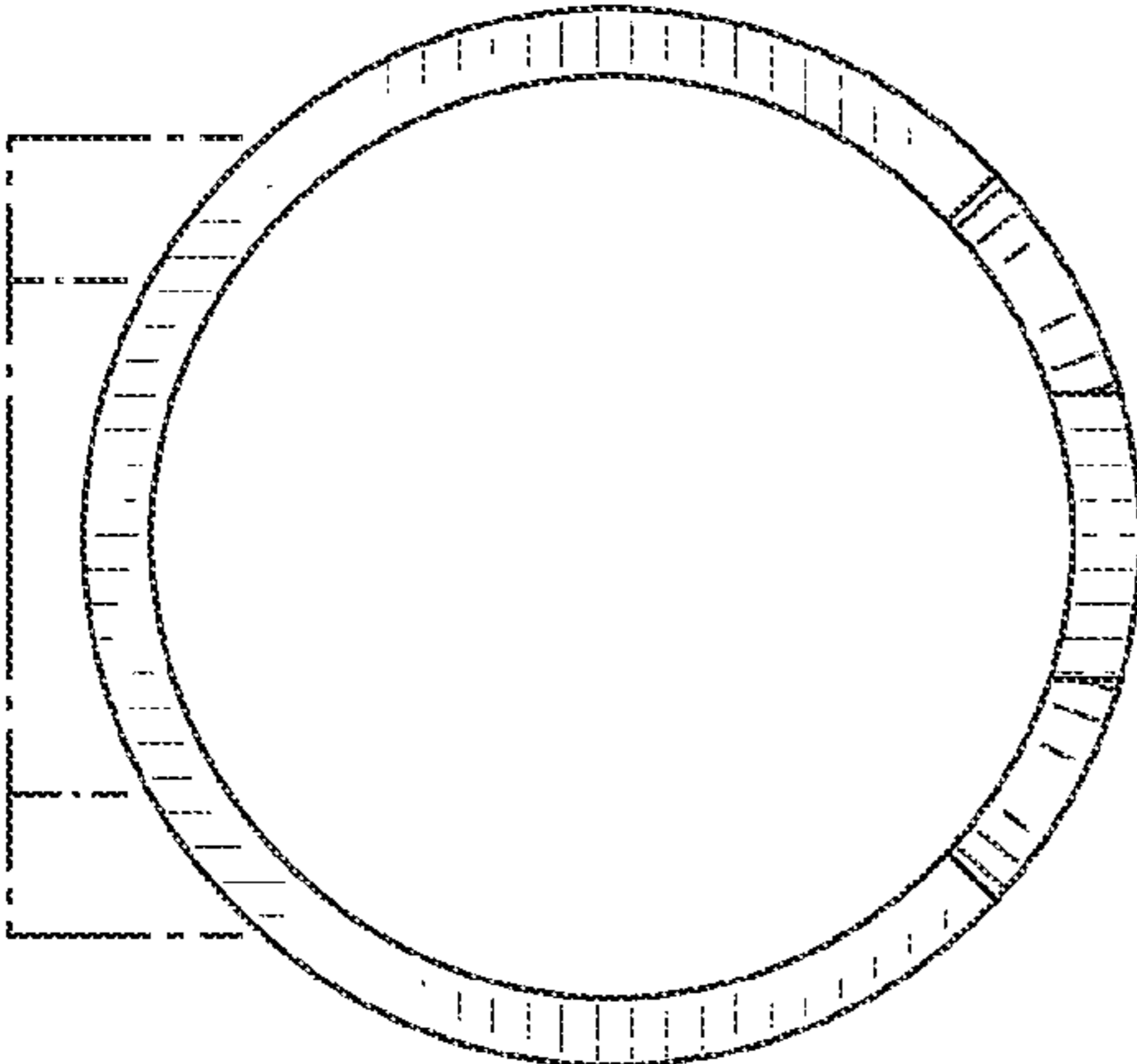


FIG. 7

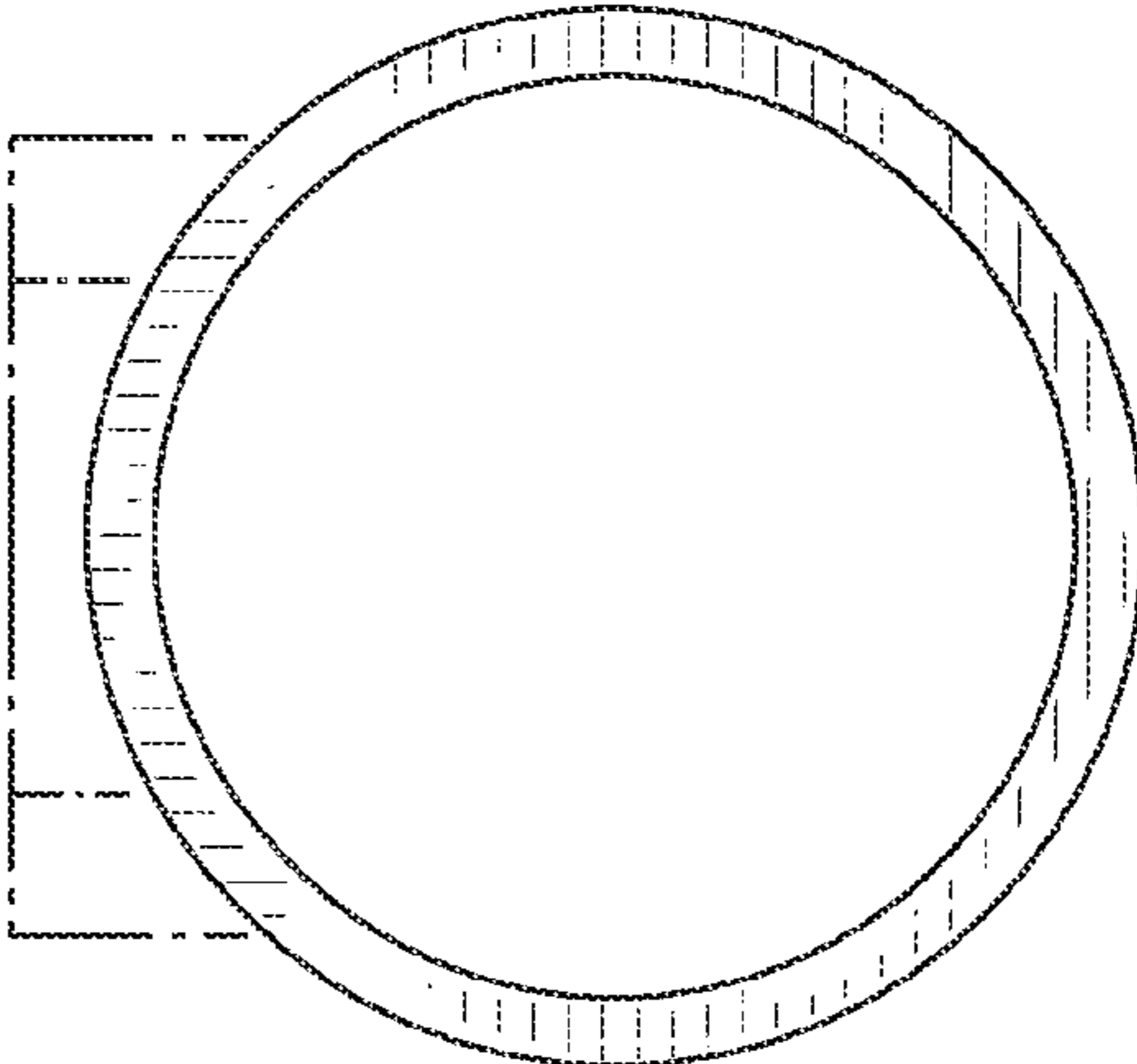


FIG. 8