



US00D635421S

(12) **United States Design Patent**  
**Wegener et al.**

(10) **Patent No.:** **US D635,421 S**

(45) **Date of Patent:** **\*\* Apr. 5, 2011**

(54) **BOTTLE OPENER RING**

(76) Inventors: **Mark Peter Wegener**, Sacramento, CA (US); **Wendi Lee Wegener**, Sacramento, CA (US); **Amy Jennifer Guthrie**, Sacramento, CA (US)

(\*\*) Term: **14 Years**

(21) Appl. No.: **29/355,390**

(22) Filed: **Feb. 5, 2010**

(51) **LOC (9) Cl.** ..... **07-99**

(52) **U.S. Cl.** ..... **D8/34; D11/26**

(58) **Field of Classification Search** ..... D8/14, D8/16-20, 33-43, 88, 89, 105; D11/3, 4, D11/26-39, 89-92; 7/113, 151-156; 30/400-410, 30/416-430, 433, 434, 443, 450; 81/3.07, 81/3.09, 3.2, 3.27, 3.29, 3.31, 3.35, 3.37, 81/3.4, 3.45, 3.48, 3.49, 3.55  
See application file for complete search history.

(56) **References Cited**

**U.S. PATENT DOCUMENTS**

888,580	A *	5/1908	Brinn	.....	D8/40
D68,673	S *	11/1925	Sudarov	.....	D11/26
2,763,140	A *	9/1956	Lutrario	.....	D11/36
D292,499	S *	10/1987	Eddy	.....	D11/26

4,825,728	A *	5/1989	Mitchell	.....	81/3.09
D509,456	S *	9/2005	Ricci et al.	.....	D11/26
D523,711	S *	6/2006	Ryan et al.	.....	D8/34
D523,770	S *	6/2006	Arlanda	.....	D11/26
7,143,666	B1 *	12/2006	Gutierrez	.....	81/3.55
D607,369	S *	1/2010	Swarovski	.....	D11/90
2002/0189406	A1 *	12/2002	Hahn	.....	81/3.55
2005/0126344	A1 *	6/2005	Jones	.....	81/3.55
2010/0212458	A1 *	8/2010	Wegener et al.	.....	81/3.09

\* cited by examiner

*Primary Examiner* — Garth Rademaker

(74) *Attorney, Agent, or Firm* — John P. O'Banion

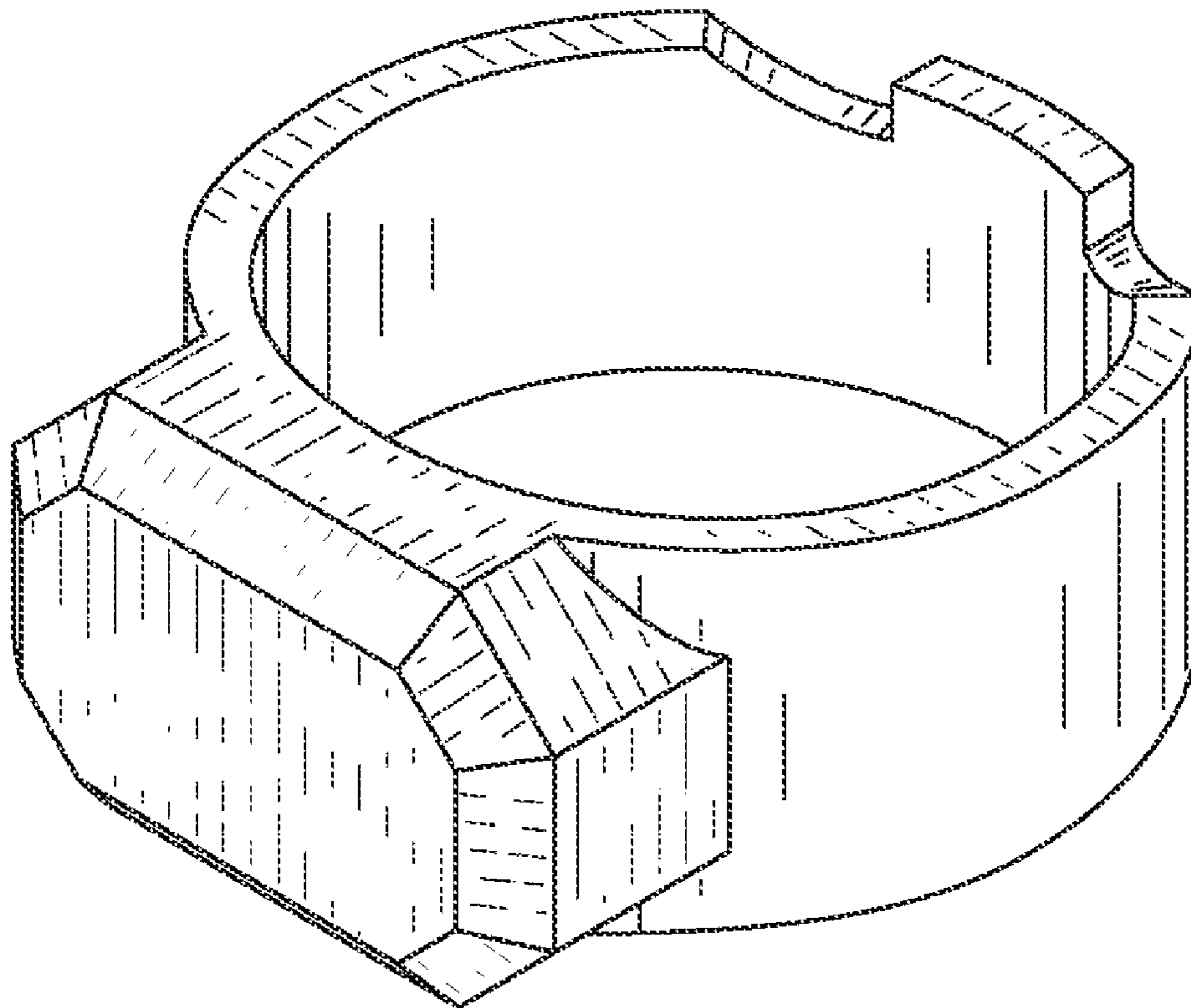
(57) **CLAIM**

The ornamental design for a bottle opener ring, as shown and described.

**DESCRIPTION**

FIG. 1 is a front, bottom, left side perspective view of a bottle opener ring, showing the new design; FIG. 2 is a front elevation view thereof; FIG. 3 is a rear elevation view thereof; FIG. 4 is a right side elevation view thereof, the left side elevation view being a mirror image thereof; FIG. 5 is a top plan view thereof; and, FIG. 6 is a bottom plan view thereof.

**1 Claim, 2 Drawing Sheets**



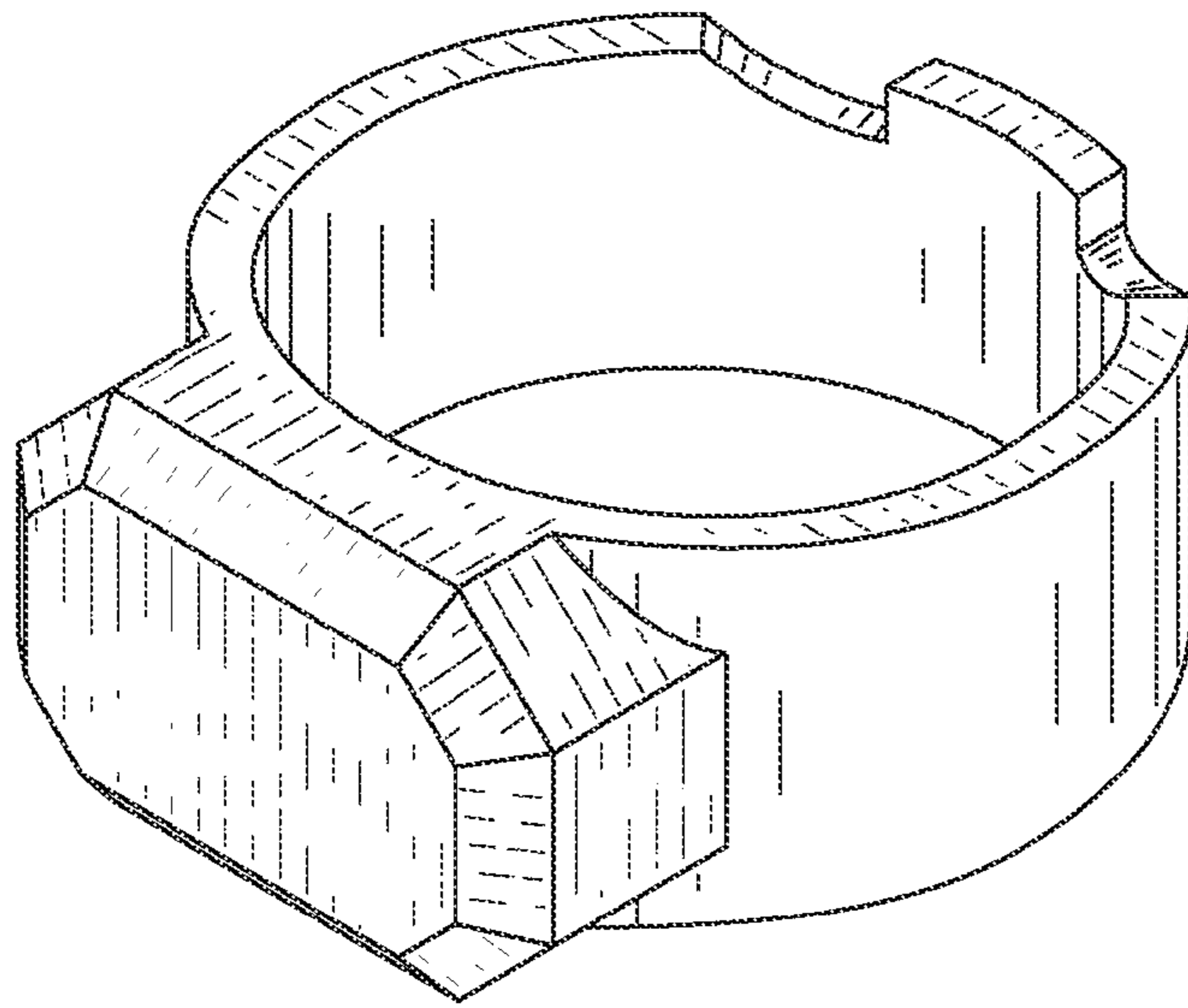


FIG. 1

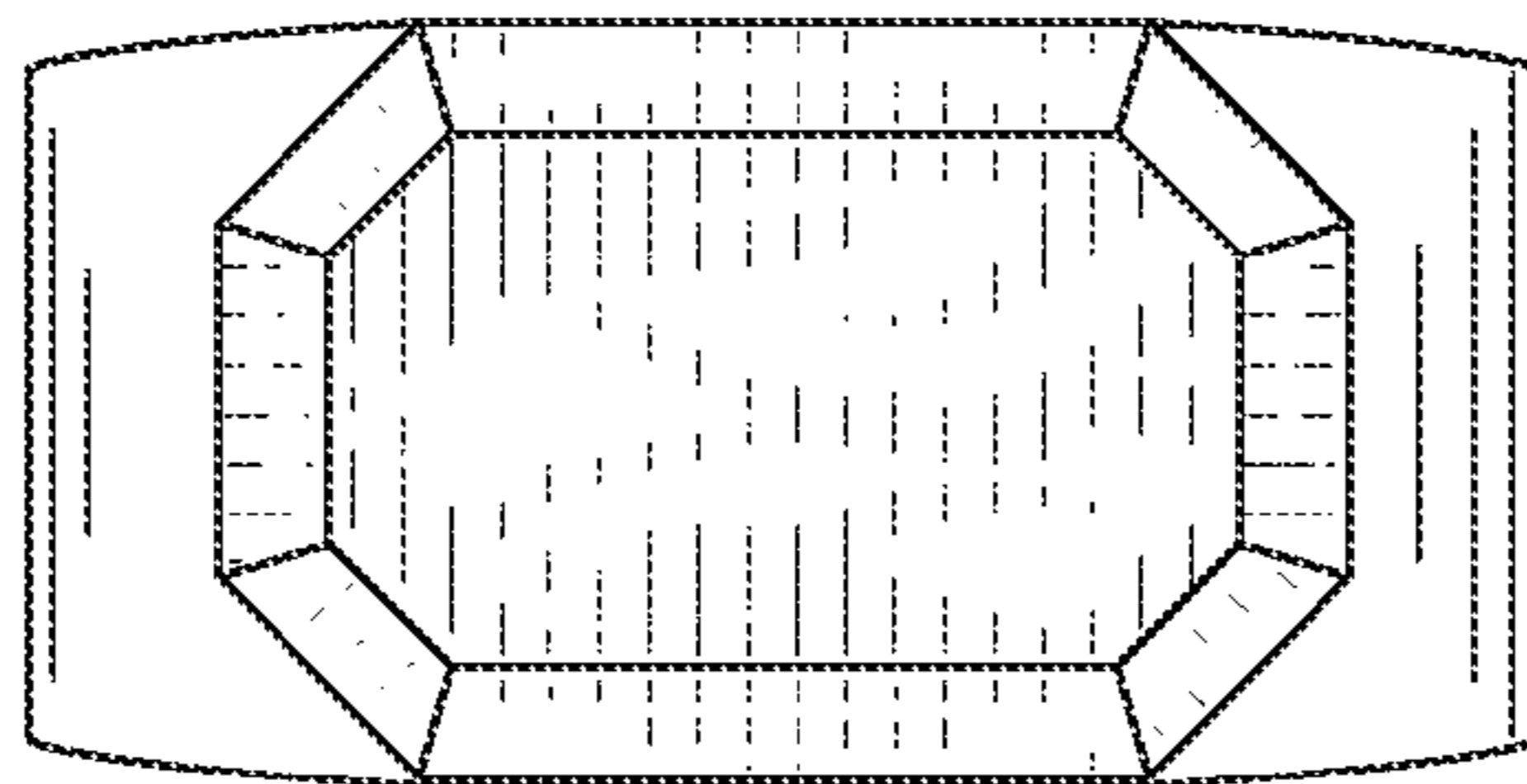


FIG. 2

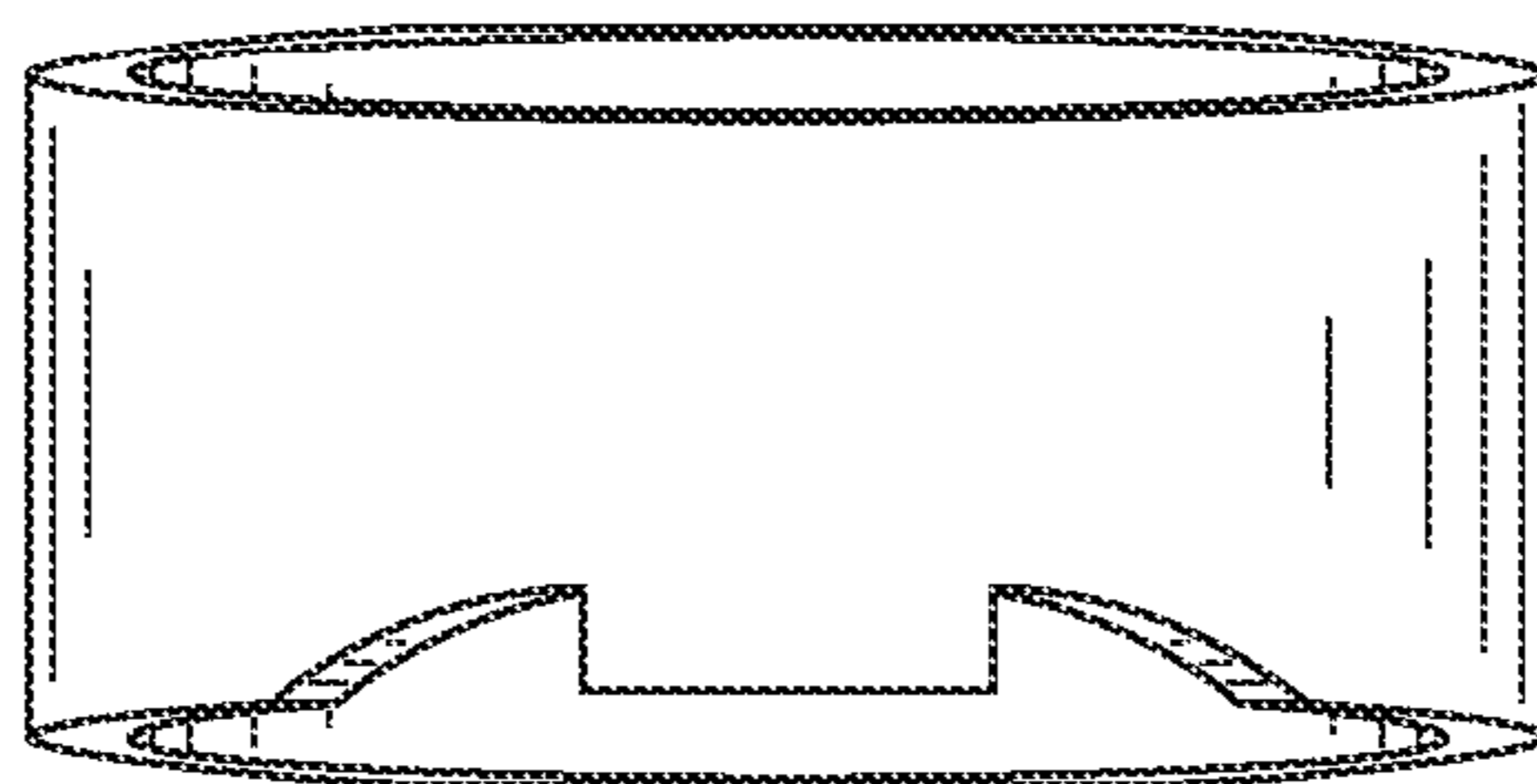


FIG. 3

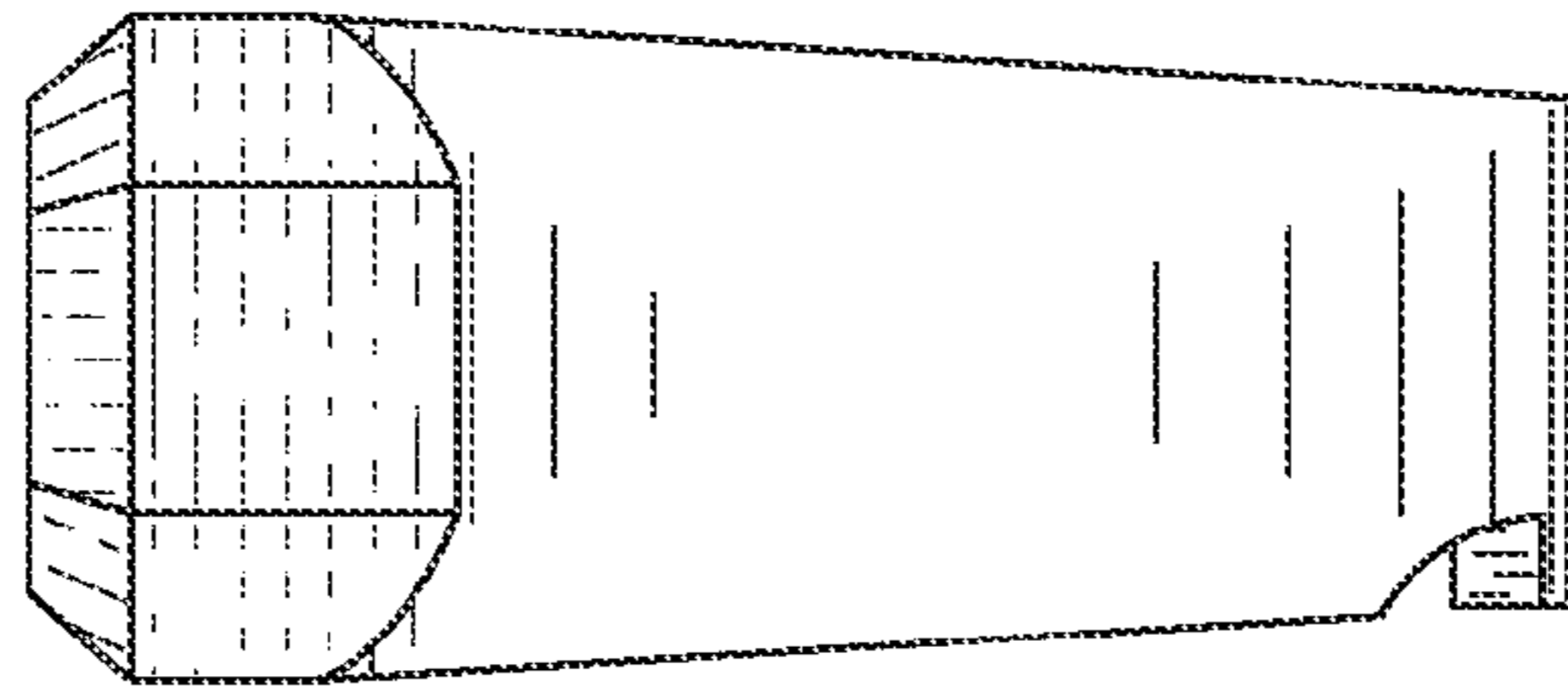


FIG. 4

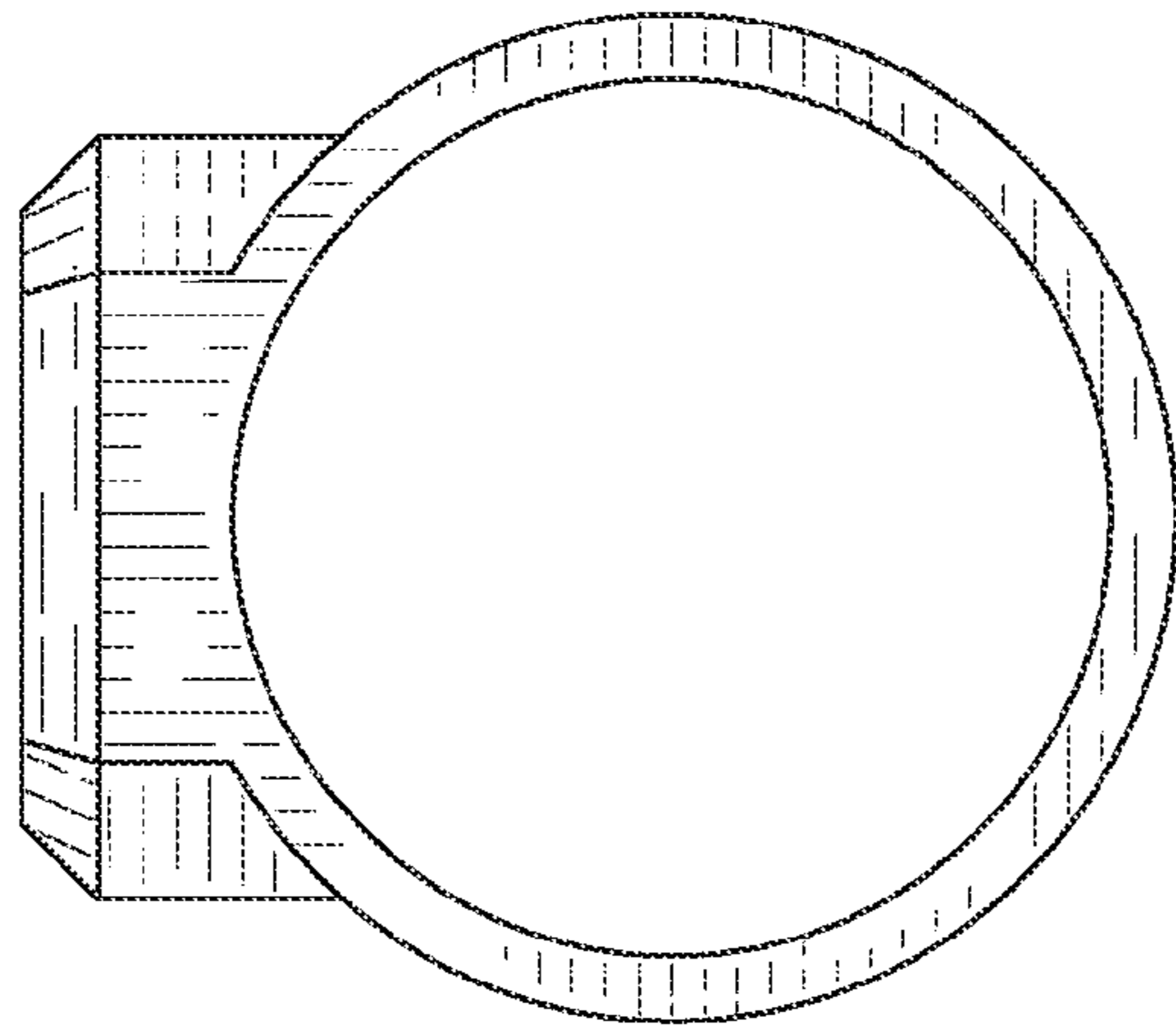


FIG. 5

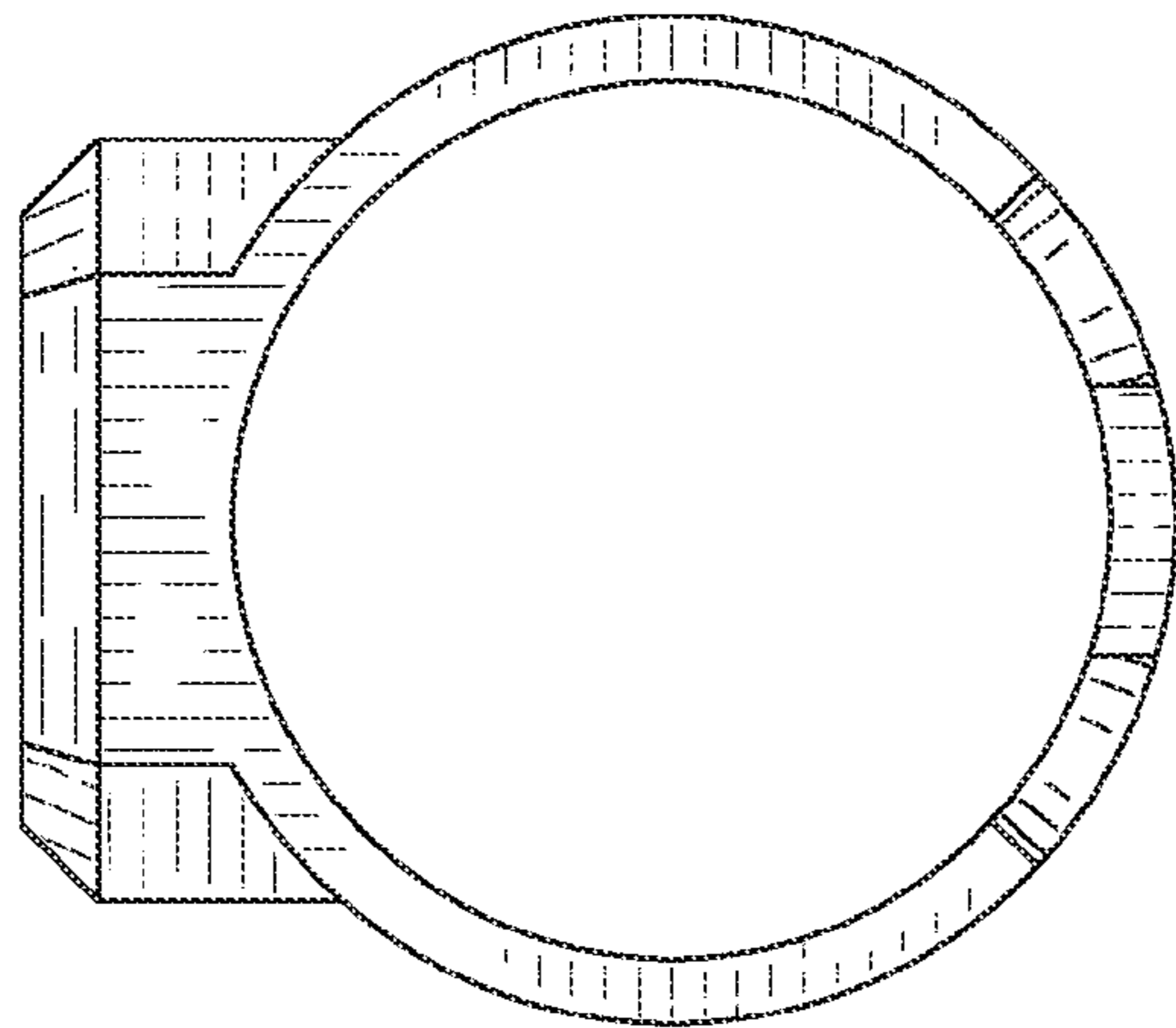


FIG. 6