



US00D635415S

(12) **United States Design Patent**  
**Chin**

(10) **Patent No.:** **US D635,415 S**

(45) **Date of Patent:** **\*\* Apr. 5, 2011**

(54) **DRINK CADDY**

D512,218 S \* 12/2005 Tagliati et al. .... D3/273  
D577,269 S \* 9/2008 Ropek ..... D7/703

(76) Inventor: **Anhua Chin**, Rancho Cucamonga, CA  
(US)

\* cited by examiner

(\*\*) Term: **14 Years**

*Primary Examiner* — Terry A Wallace

(74) *Attorney, Agent, or Firm* — Clement Cheng

(21) Appl. No.: **29/376,695**

(57) **CLAIM**

The ornamental design for a drink caddy, thereof as shown and described.

(22) Filed: **Oct. 11, 2010**

(51) **LOC (9) Cl.** ..... **07-06**

(52) **U.S. Cl.** ..... **D7/703**

(58) **Field of Classification Search** ..... D7/701–708,  
D7/629; D3/202, 274; 206/216, 217, 223,  
206/541, 549, 568, 569, 224, 261, 242, 349,  
206/553, 315.11, 574, 575

See application file for complete search history.

**DESCRIPTION**

FIG. 1 is a perspective view.

FIG. 2 is a front view.

FIG. 3 is a rear view.

FIG. 4 is a left side view.

FIG. 5 is a right side view.

FIG. 6 is a top view.

FIG. 7 is a bottom view; and,

FIG. 8 is an exploded view.

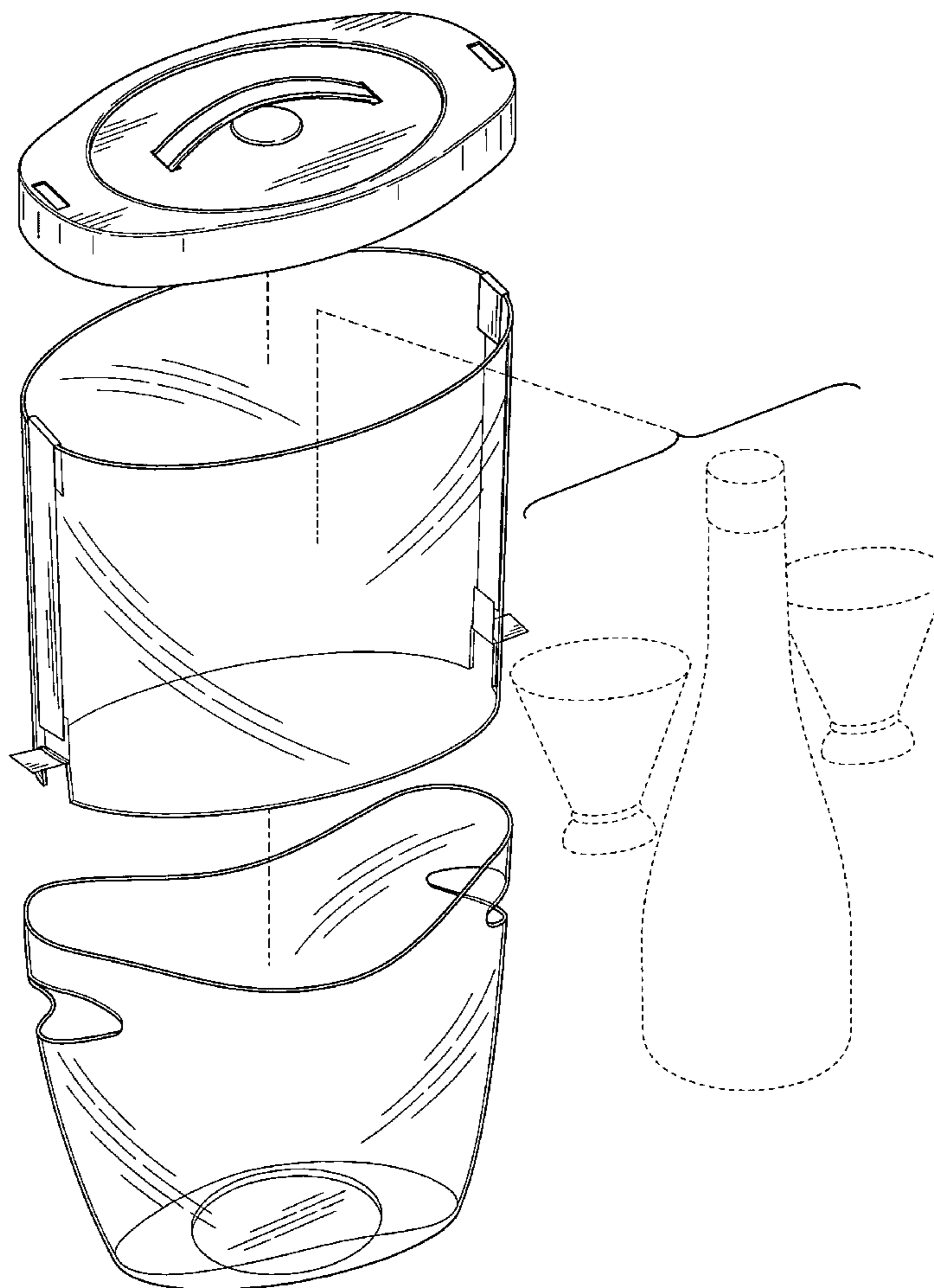
The dotted line disclosure shown in the drawings is not claimed and forms no part of the claimed invention.

(56) **References Cited**

**U.S. PATENT DOCUMENTS**

D284,062 S \* 6/1986 Ryan, Jr. .... D7/605  
D347,971 S \* 6/1994 Krugman ..... D7/703

**1 Claim, 6 Drawing Sheets**



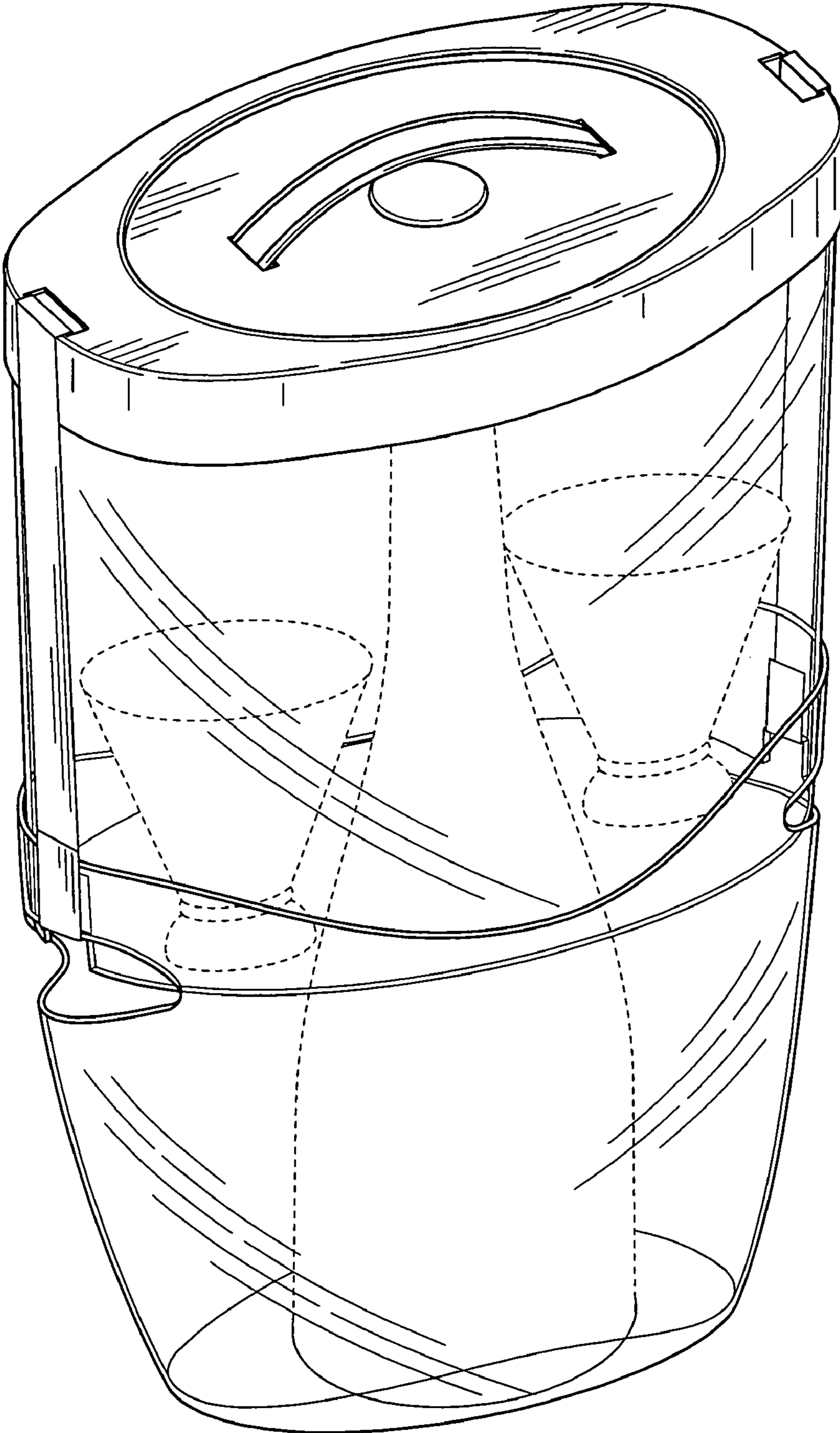


FIG. 1

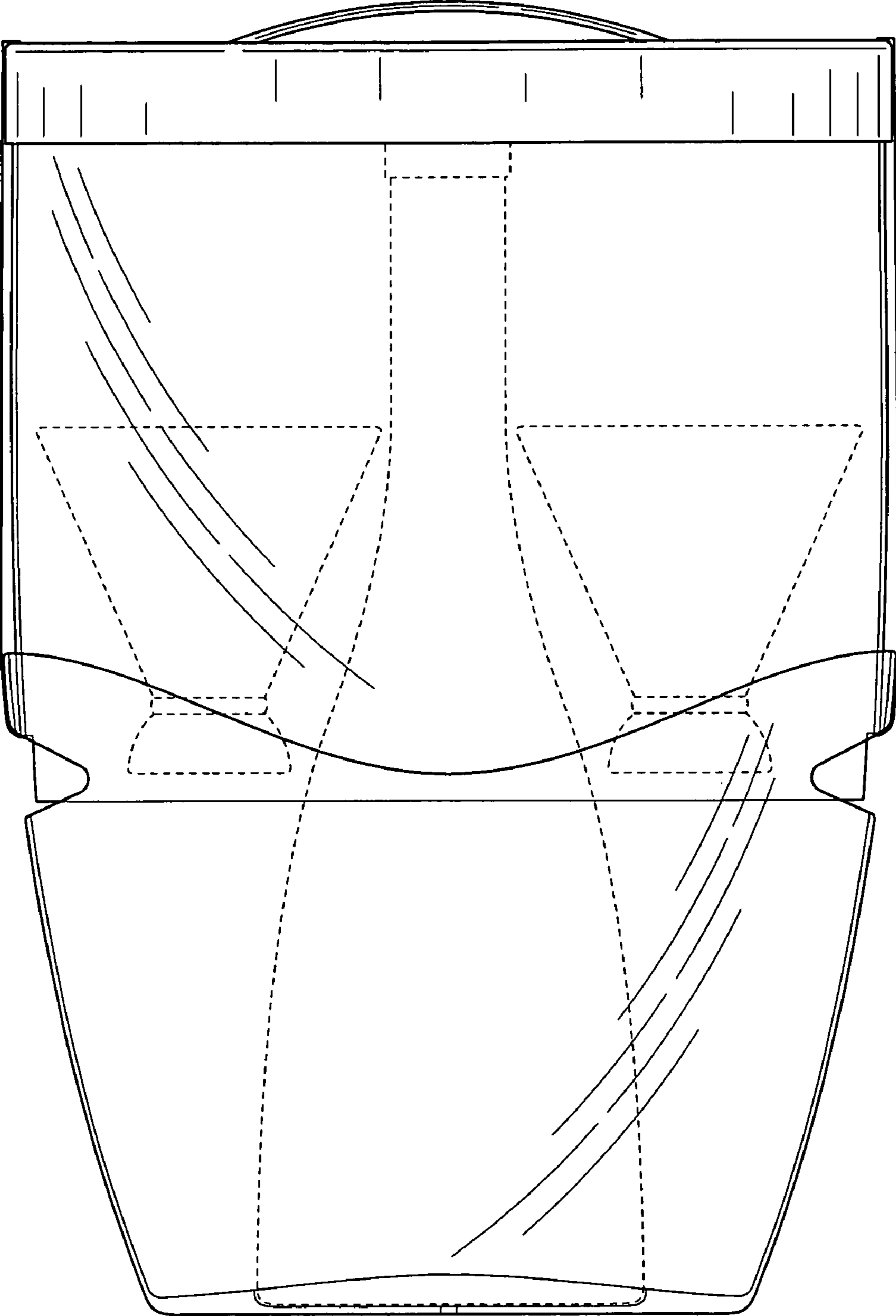


FIG. 2

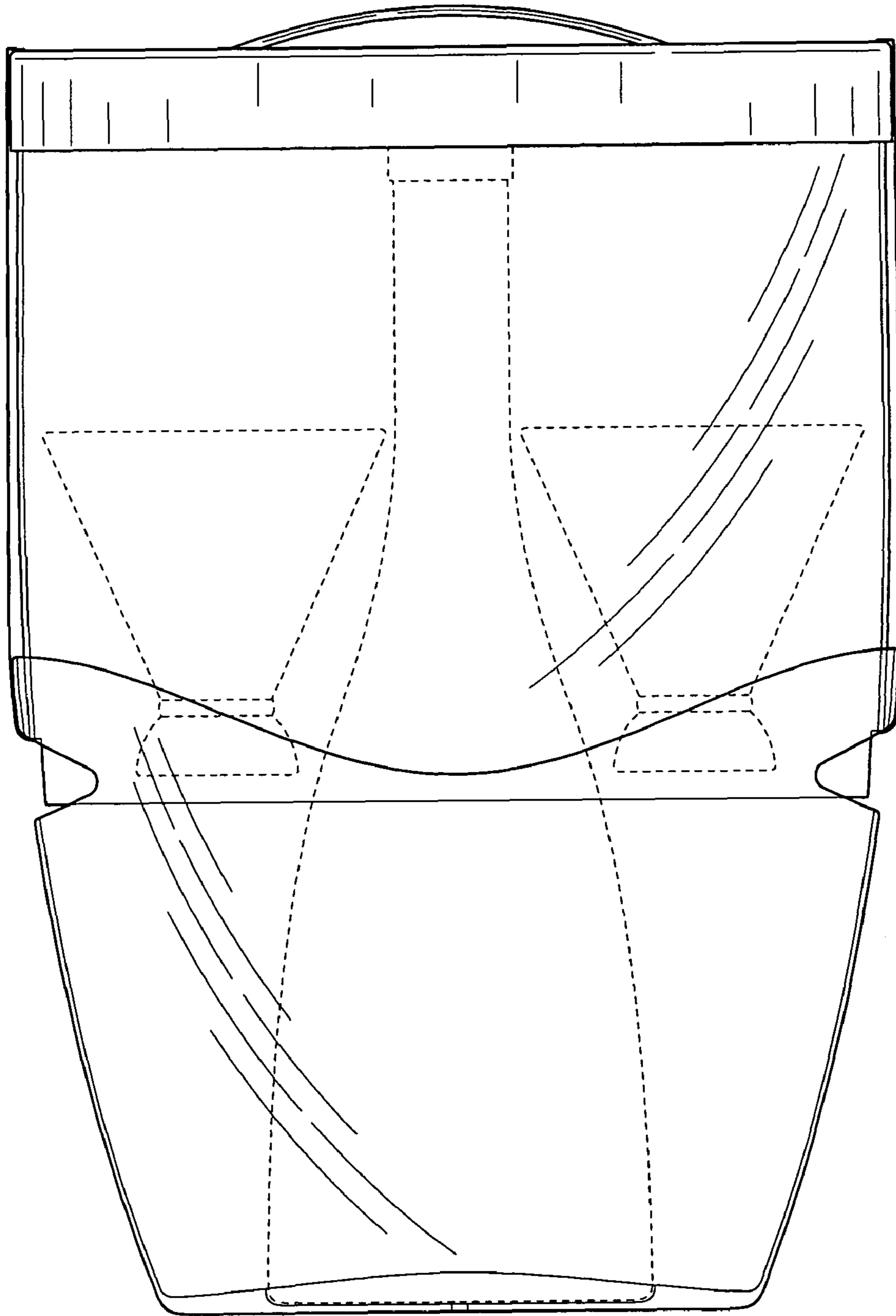


FIG. 3

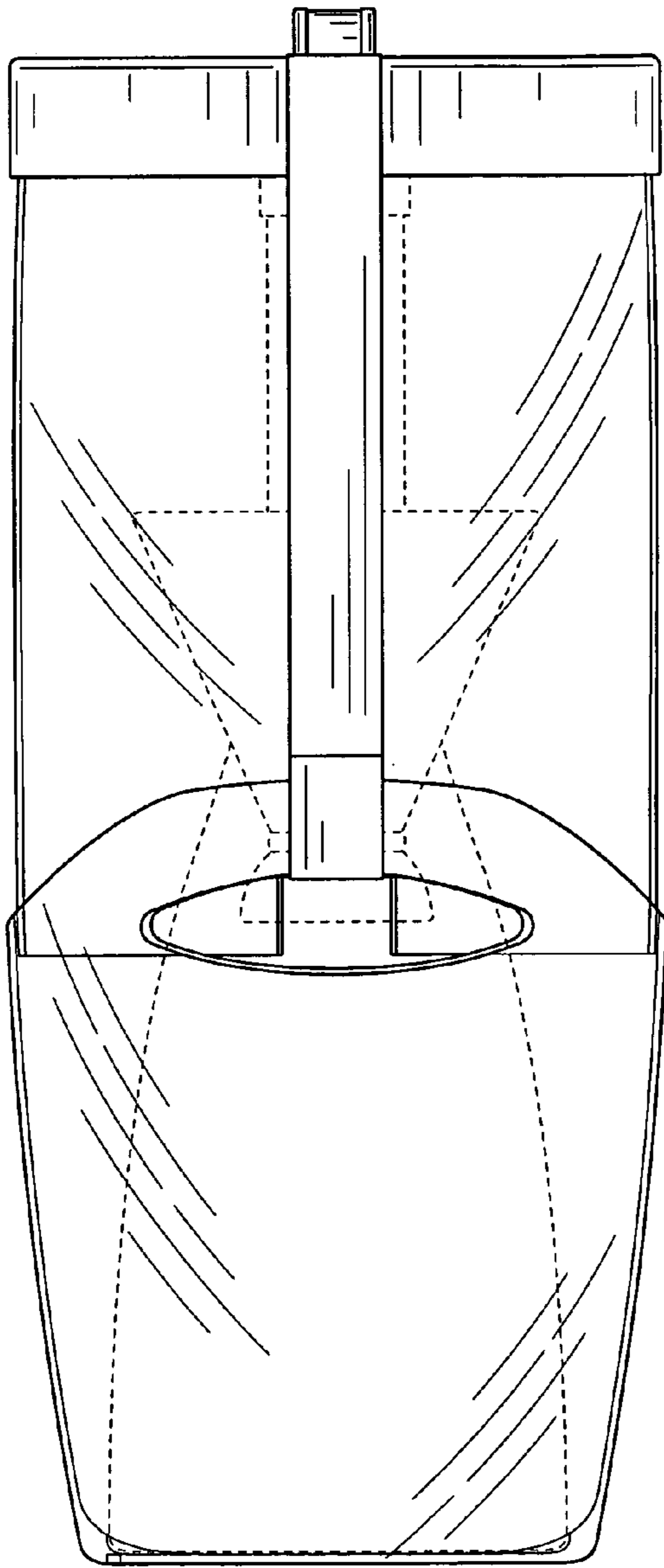


FIG. 4

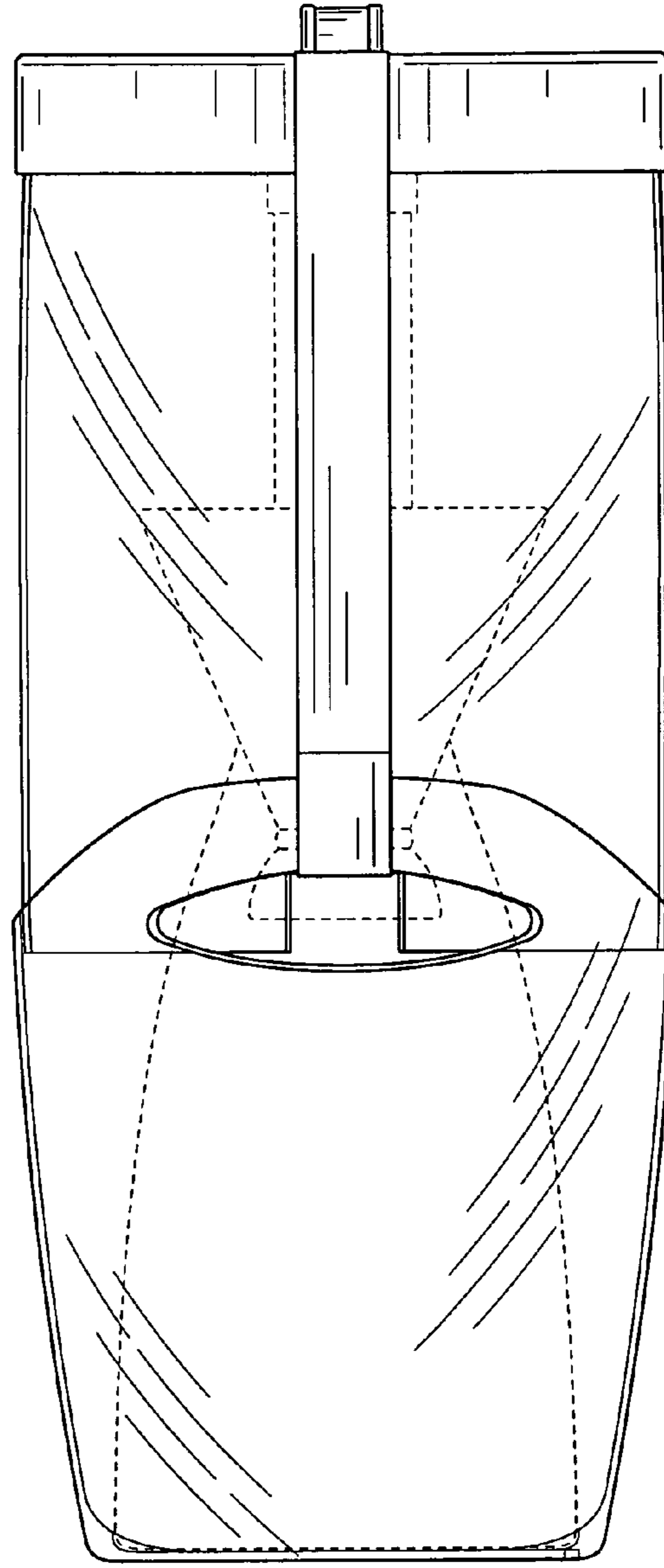


FIG. 5

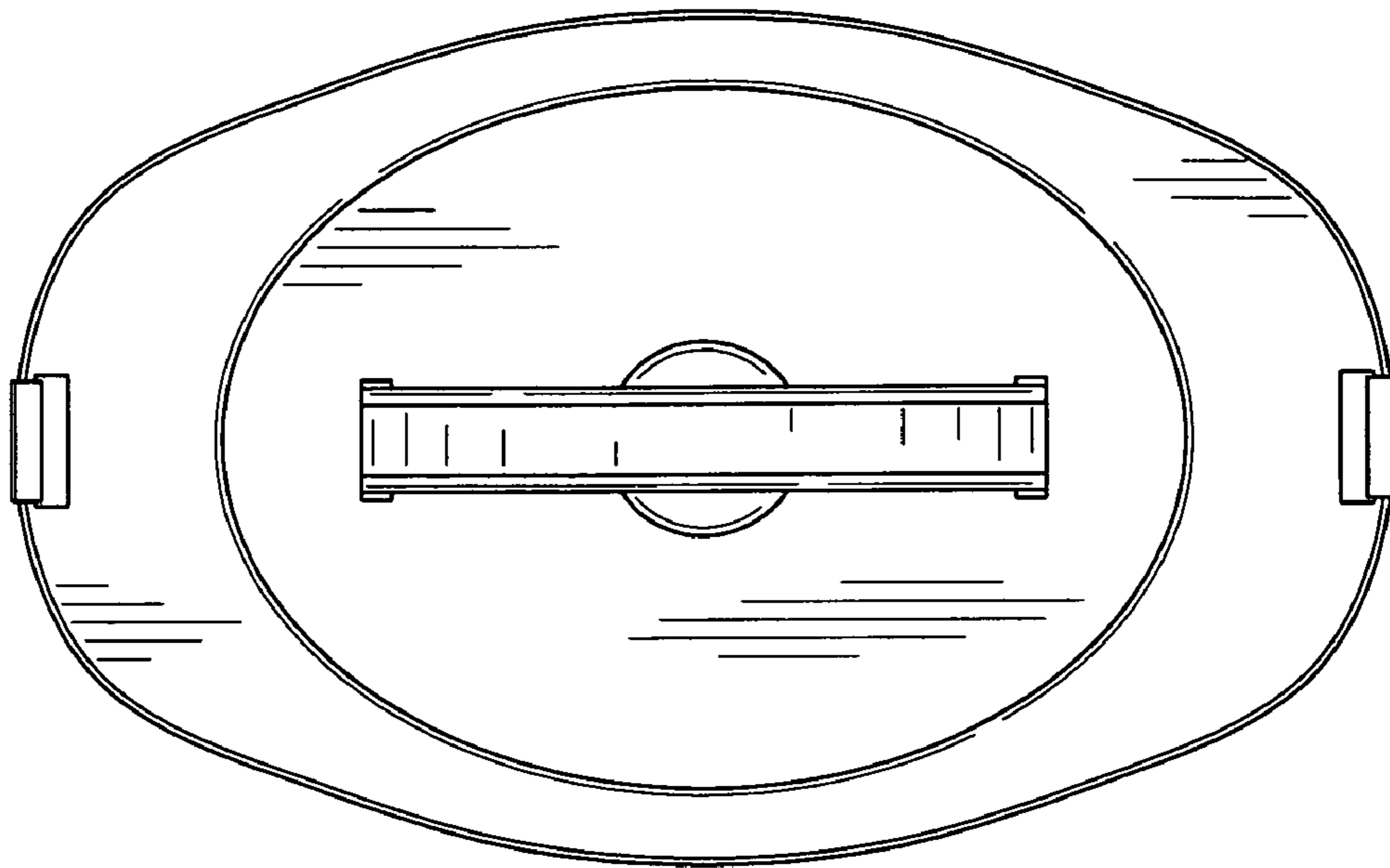


FIG. 6

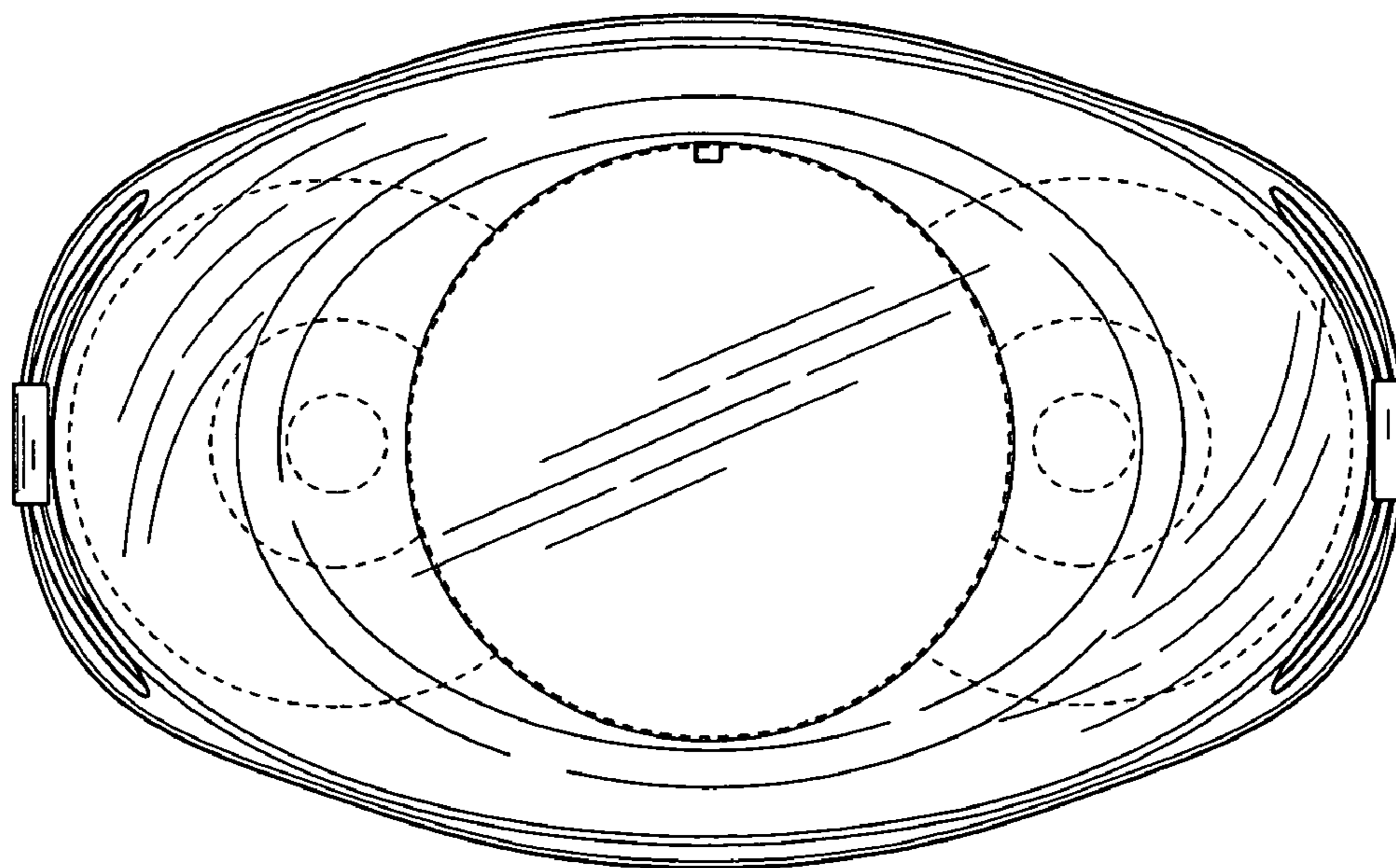


FIG. 7

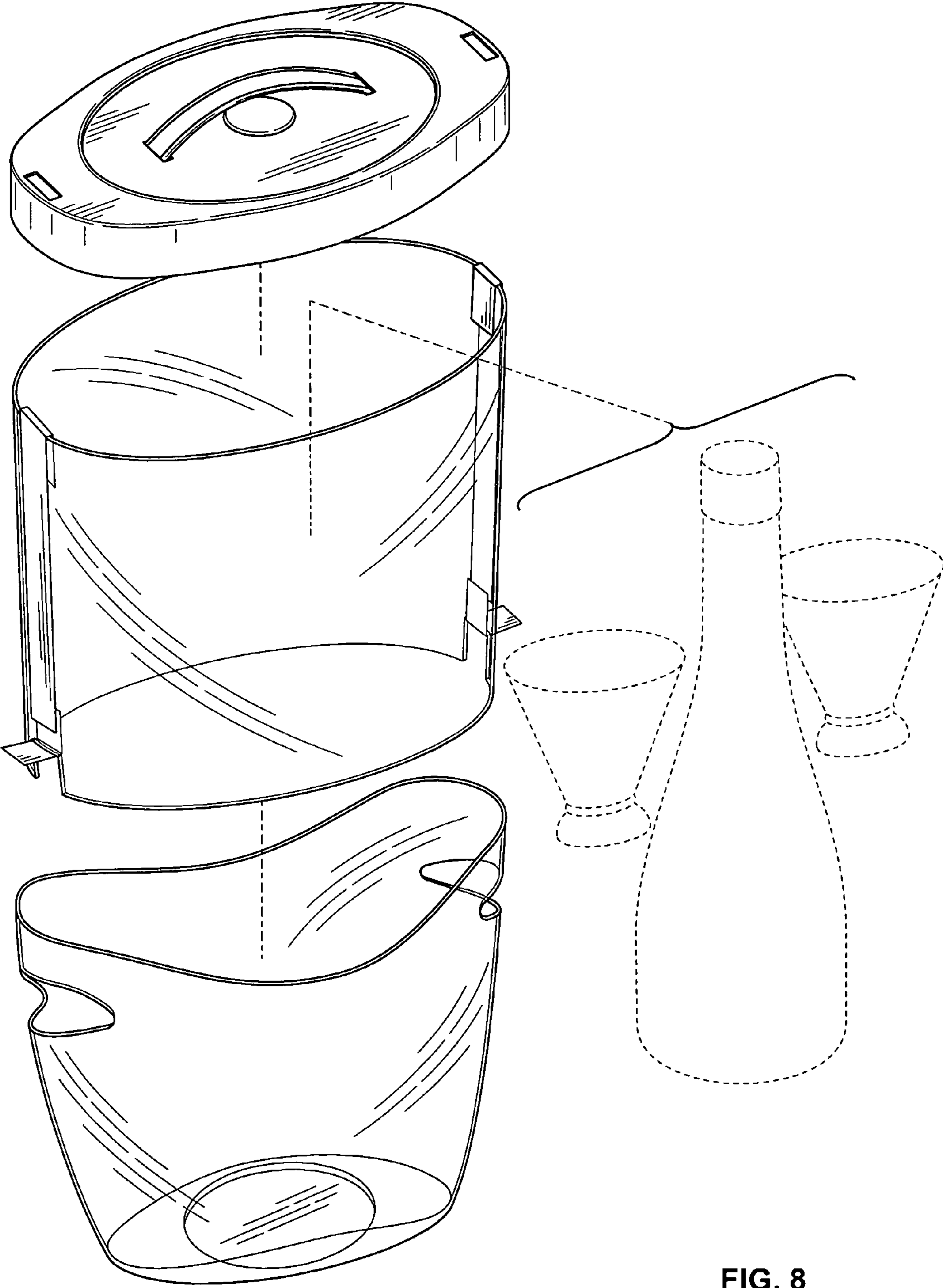


FIG. 8