



US00D635413S

(12) **United States Design Patent**
Griffin et al.

(10) **Patent No.:** **US D635,413 S**

(45) **Date of Patent:** **** Apr. 5, 2011**

(54) **APPARATUS FOR STORING AND SHREDDING HERBS**

(76) Inventors: **Jeremy Lesland Griffin**, Northridge, CA (US); **Jacob Michael Griffin**, Northridge, CA (US)

(**) Term: **14 Years**

(21) Appl. No.: **29/362,351**

(22) Filed: **May 25, 2010**

(51) **LOC (9) Cl.** **07-06**

(52) **U.S. Cl.** **D7/693**

(58) **Field of Classification Search** D7/693, D7/678, 679, 373, 384, 381, 412; 99/495, 99/509-513; 30/302, 303, 315, 316, 263, 30/301; 7/113; 241/168, 169, 169.1, 272
See application file for complete search history.

(56) **References Cited**

U.S. PATENT DOCUMENTS

2,101,595	A	12/1937	Potstada	
2,443,873	A	5/1945	Simpson	
2,610,664	A *	9/1952	Thompson	83/420
2,782,826	A *	2/1957	Zysset	241/272
D181,936	S	1/1958	Michaels	
3,667,519	A	6/1972	Shaddock	
D233,204	S	10/1974	Fisher	
D249,922	S	10/1978	Hall et al.	
D279,162	S	6/1985	Samuel	
D280,058	S	8/1985	Carlson	
4,572,444	A *	2/1986	Shaddock	241/168
5,103,563	A *	4/1992	Johnson	30/301
D330,664	S *	11/1992	Johnson	D7/693
D337,697	S	7/1993	Giugiaro	
D378,653	S	4/1997	Richardi	
D427,015	S	6/2000	Yip	
D432,352	S	10/2000	Giacomel	

D474,378	S	5/2003	Brandenburg	
D481,913	S *	11/2003	Wright	D7/672
D518,688	S *	4/2006	Overthun et al.	D7/693
D527,588	S *	9/2006	de Groote et al.	D7/693
7,191,524	B2 *	3/2007	Longstreth	30/151
D558,528	S	1/2008	Hauser	

* cited by examiner

Primary Examiner — Terry A Wallace

(74) *Attorney, Agent, or Firm* — Ken Dallara; Law Office of Ken Dallara

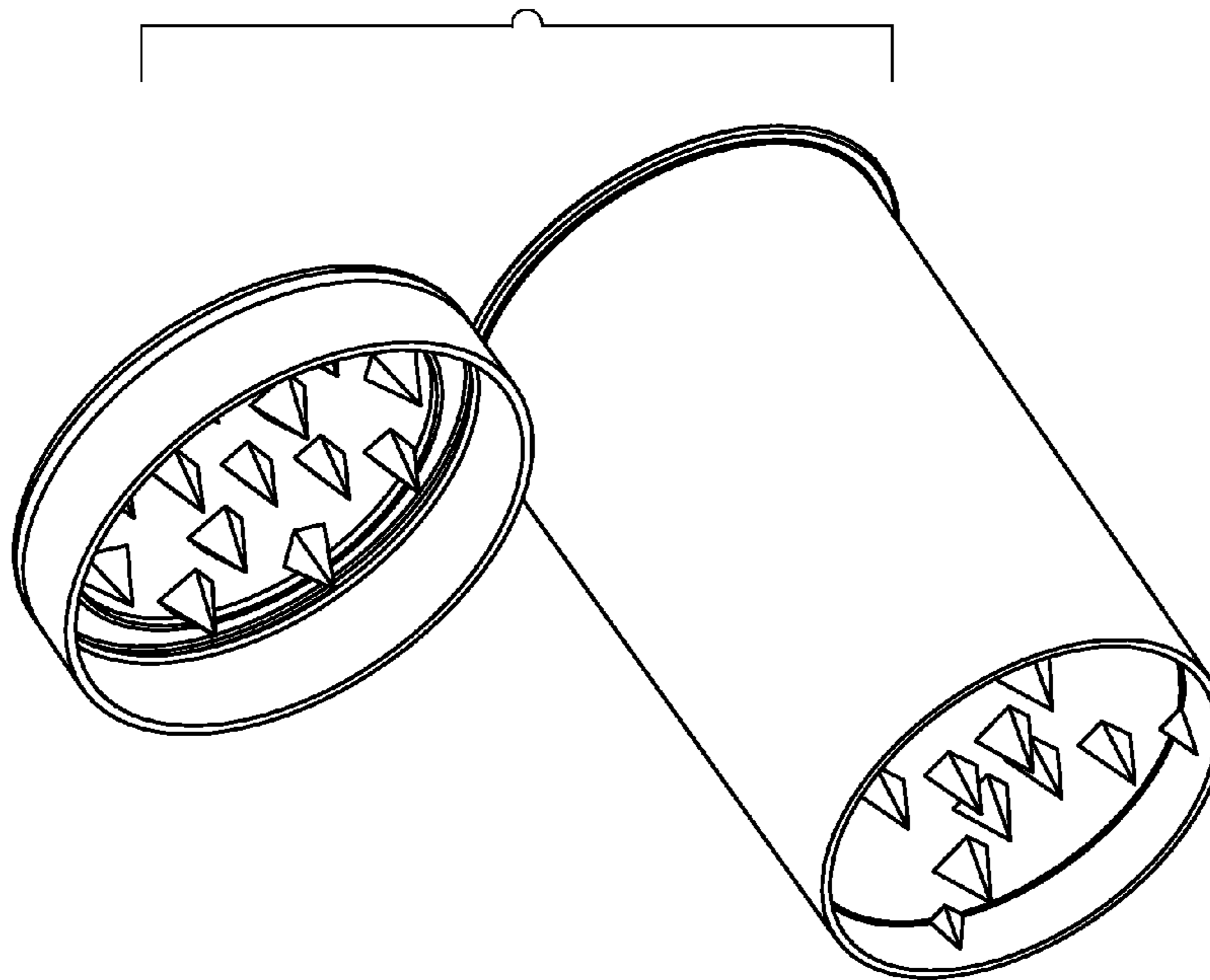
(57) **CLAIM**

The ornamental design for an apparatus for storing and shredding herbs, as shown and described.

DESCRIPTION

FIG. 1 is a side elevation view of the apparatus for storing and shredding herbs showing our new design;
 FIG. 2 is the top elevation view of the apparatus thereof;
 FIG. 3 is an isometric view of the top of the apparatus thereof;
 FIG. 4 is an isometric view of the bottom of the apparatus thereof;
 FIG. 5 is the top view of the cap and body of the apparatus without the cap being located upon said body thereof;
 FIG. 6 is the side elevation view of the body and cap of the apparatus after the cap has been removed from the body of said apparatus, thereof;
 FIG. 7 is the bottom view of the cap and body of the apparatus without the cap being located upon said body thereof; and,
 FIG. 8 is an isometric view of the bottom of the cap and body of the apparatus without the cap being located upon said body, thereof.

1 Claim, 3 Drawing Sheets



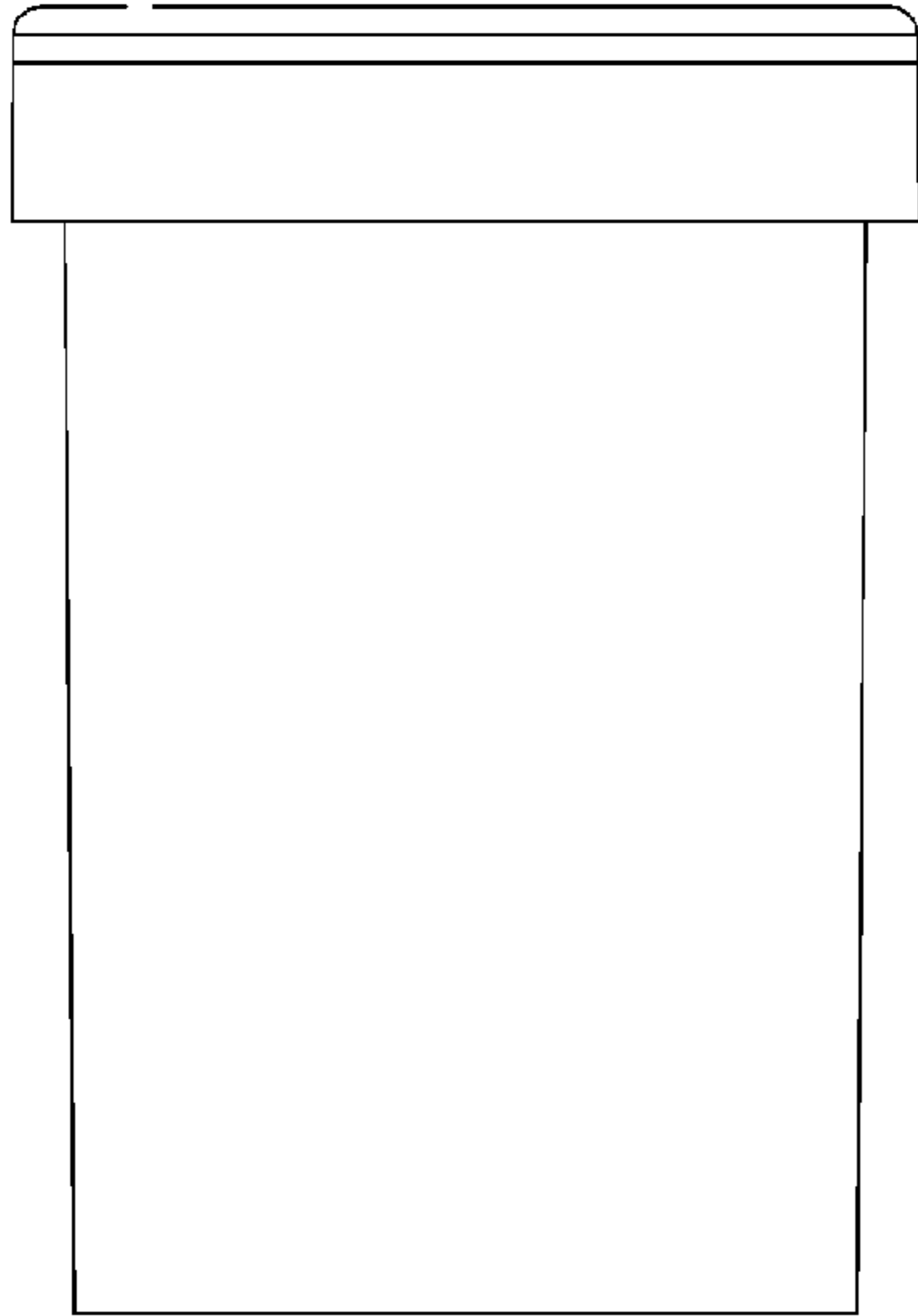


Figure 1

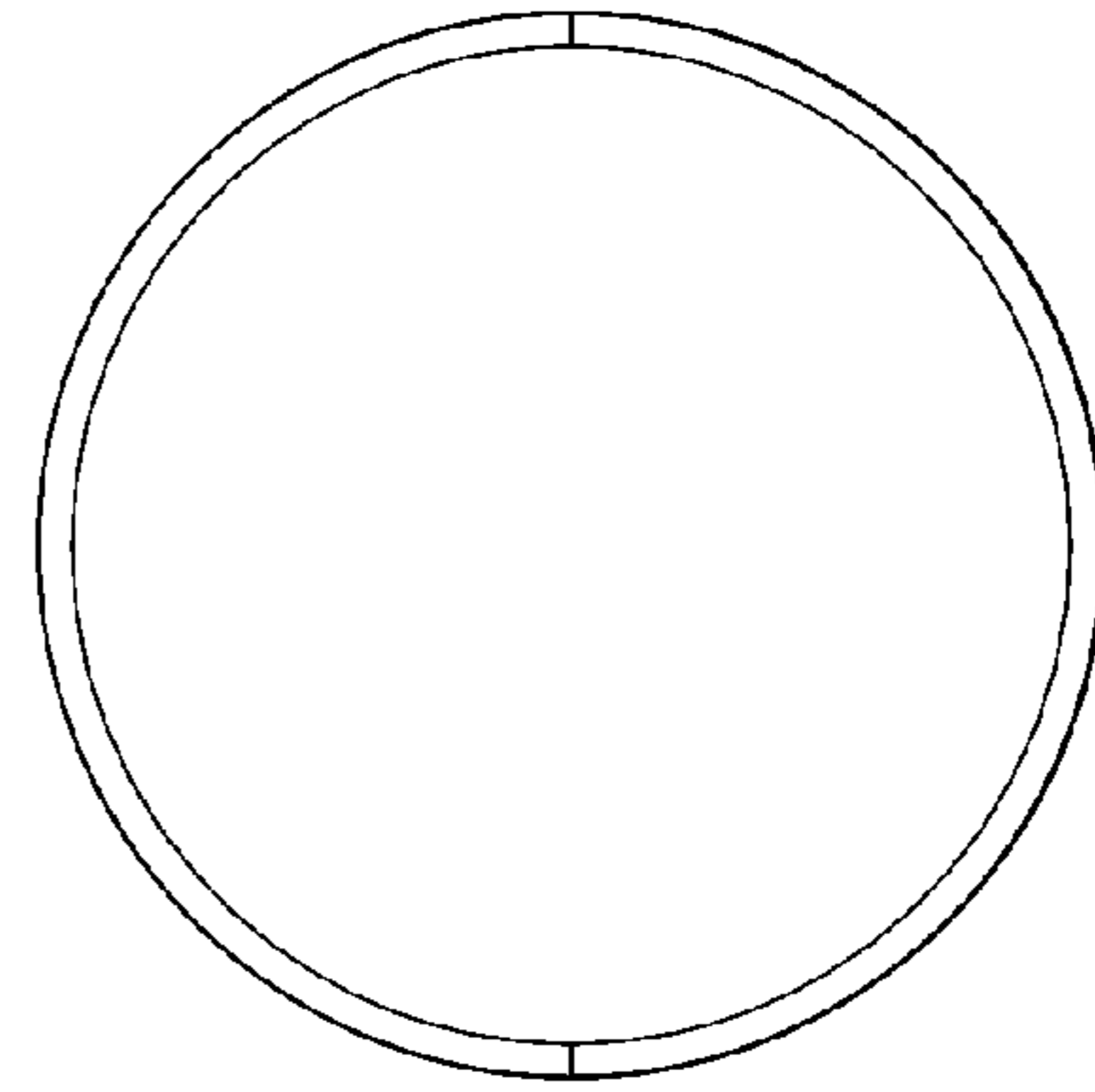


Figure 2

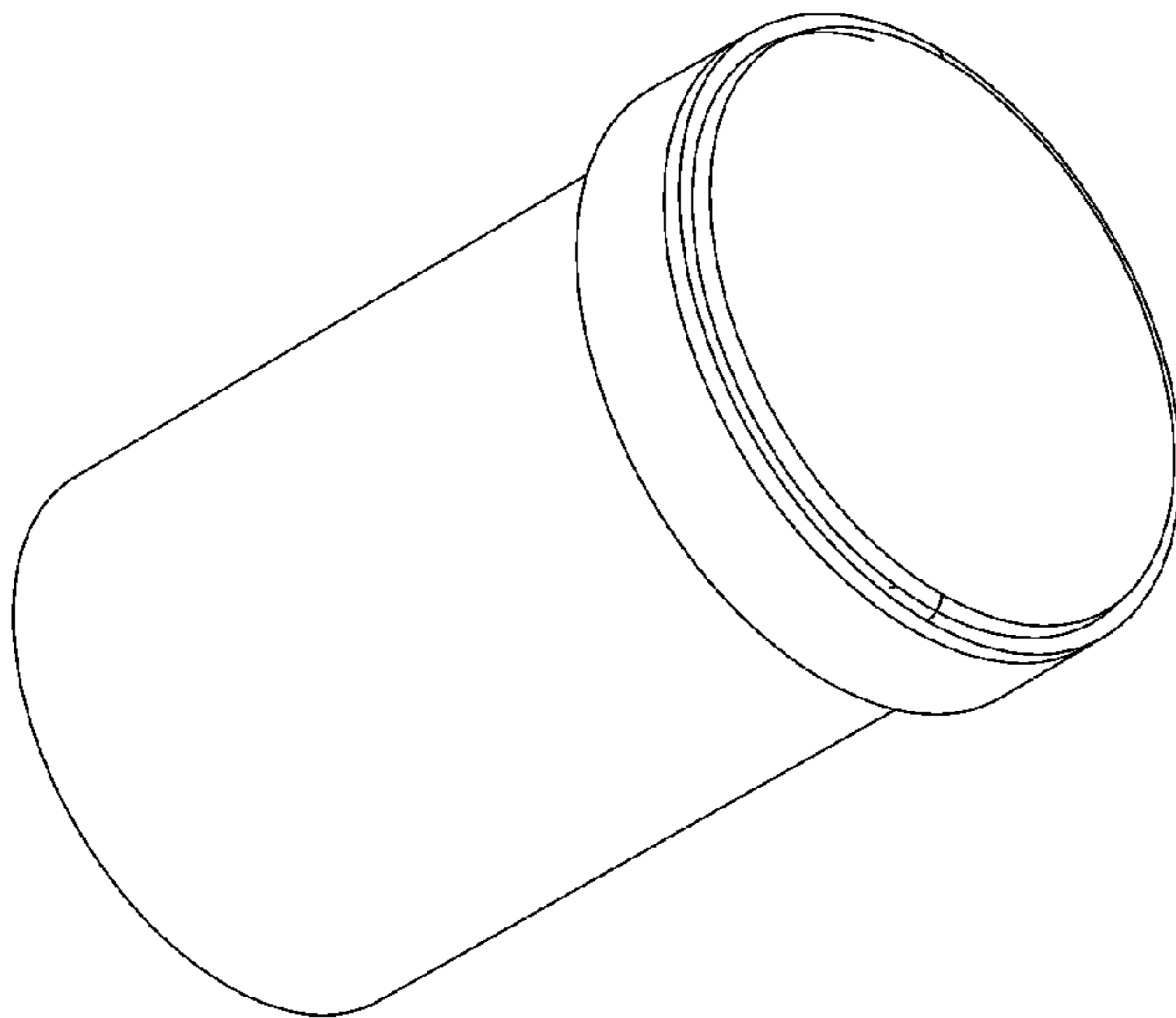


Figure 3

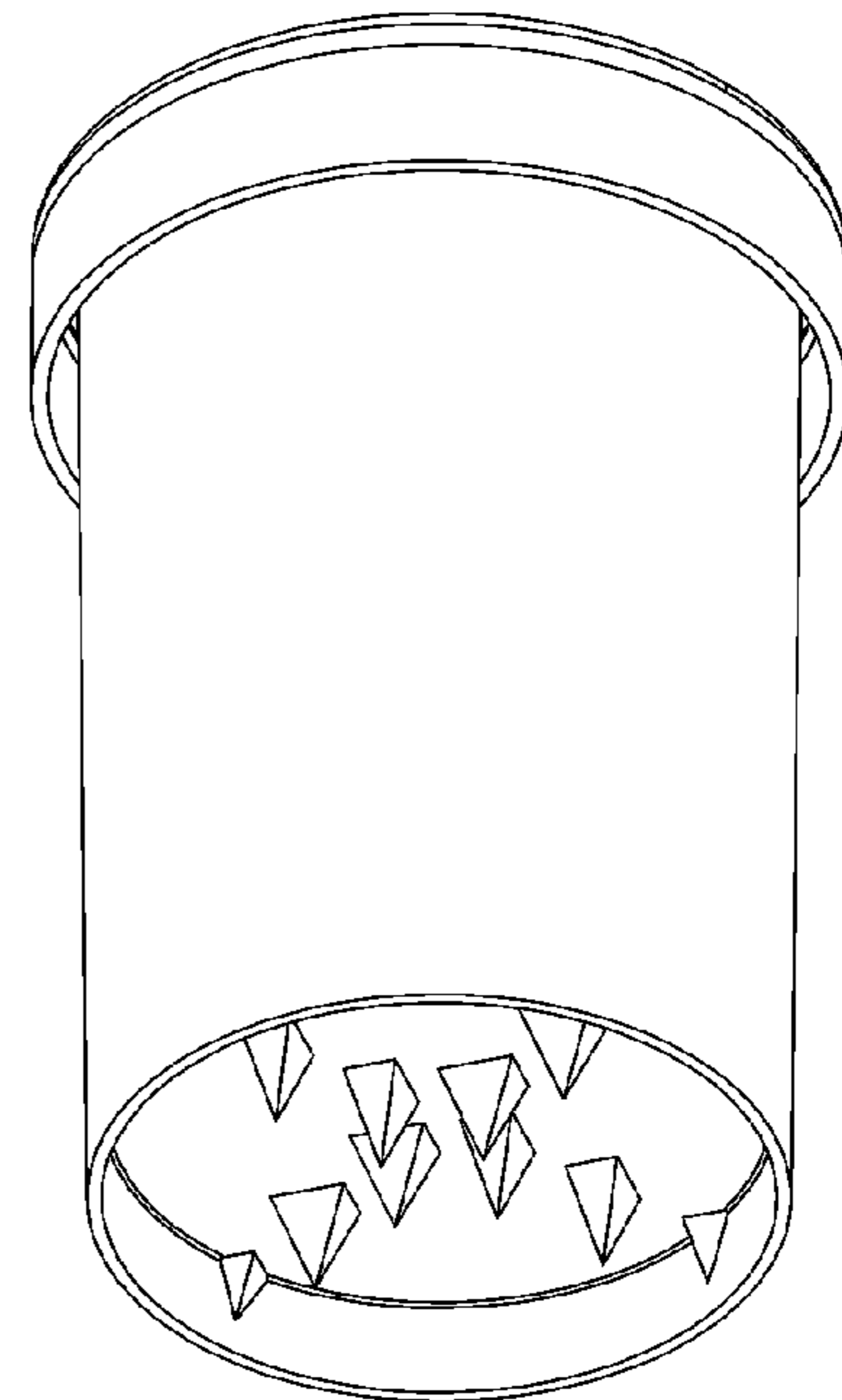


Figure 4

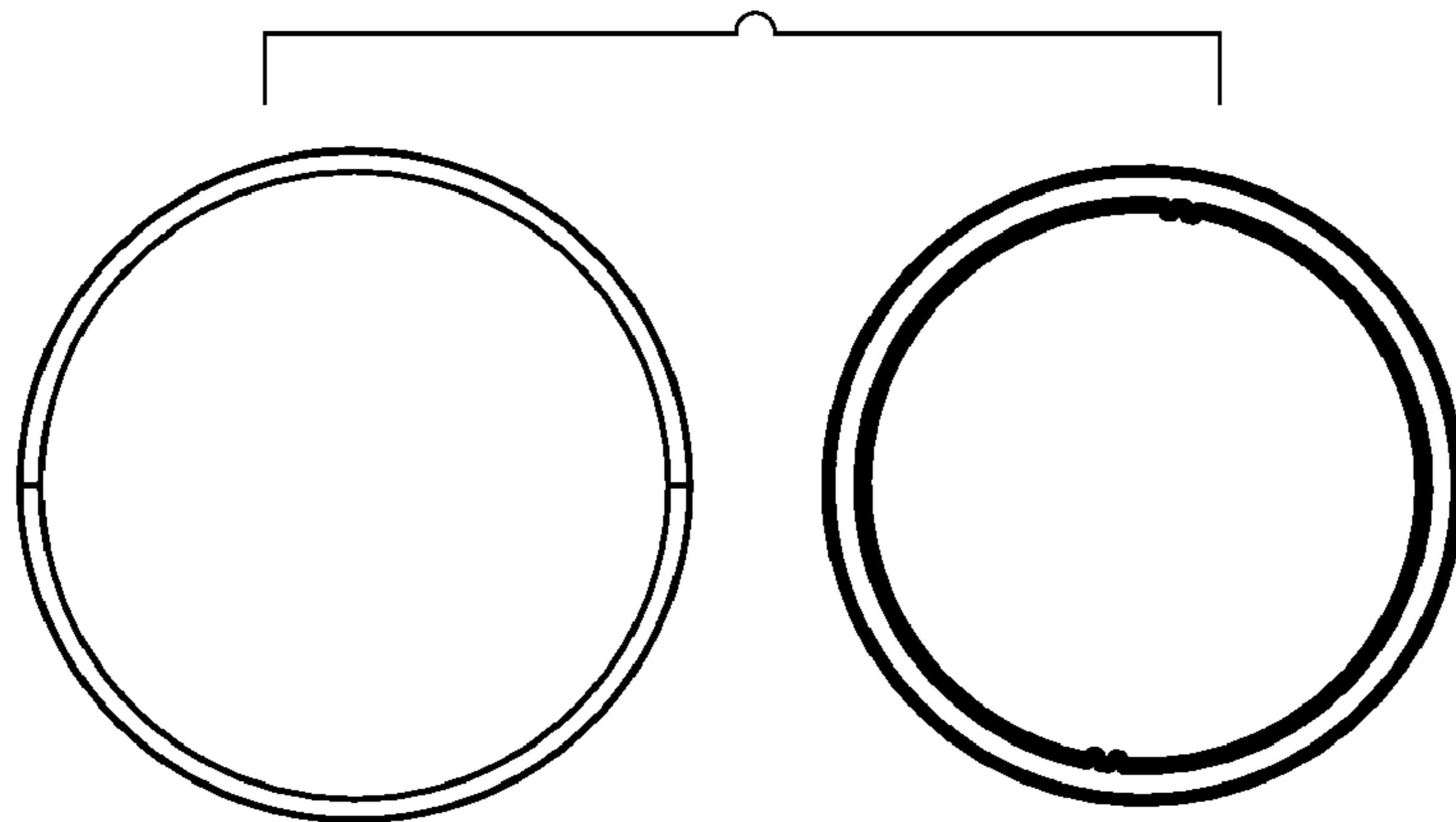


Figure 5

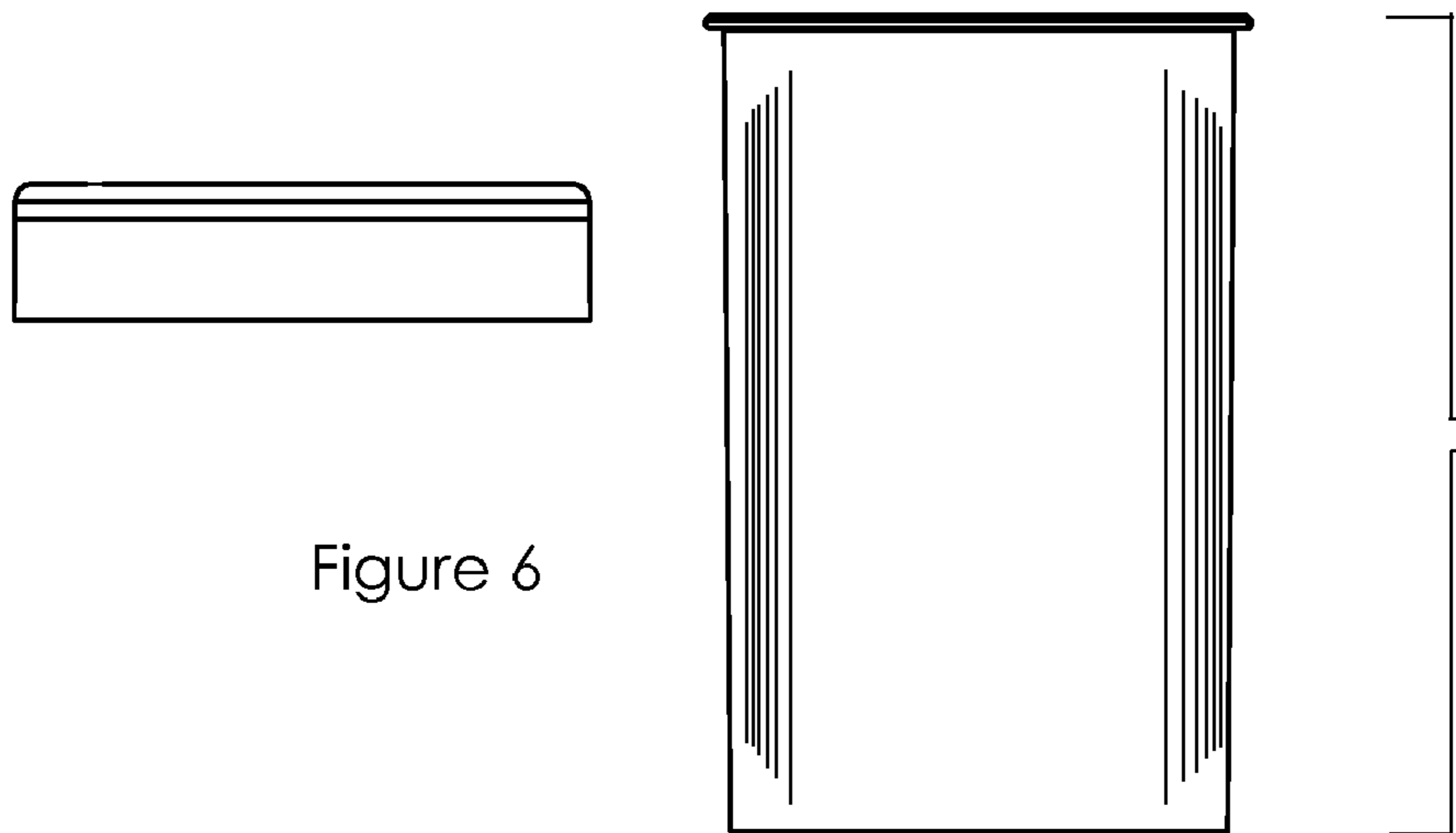


Figure 6

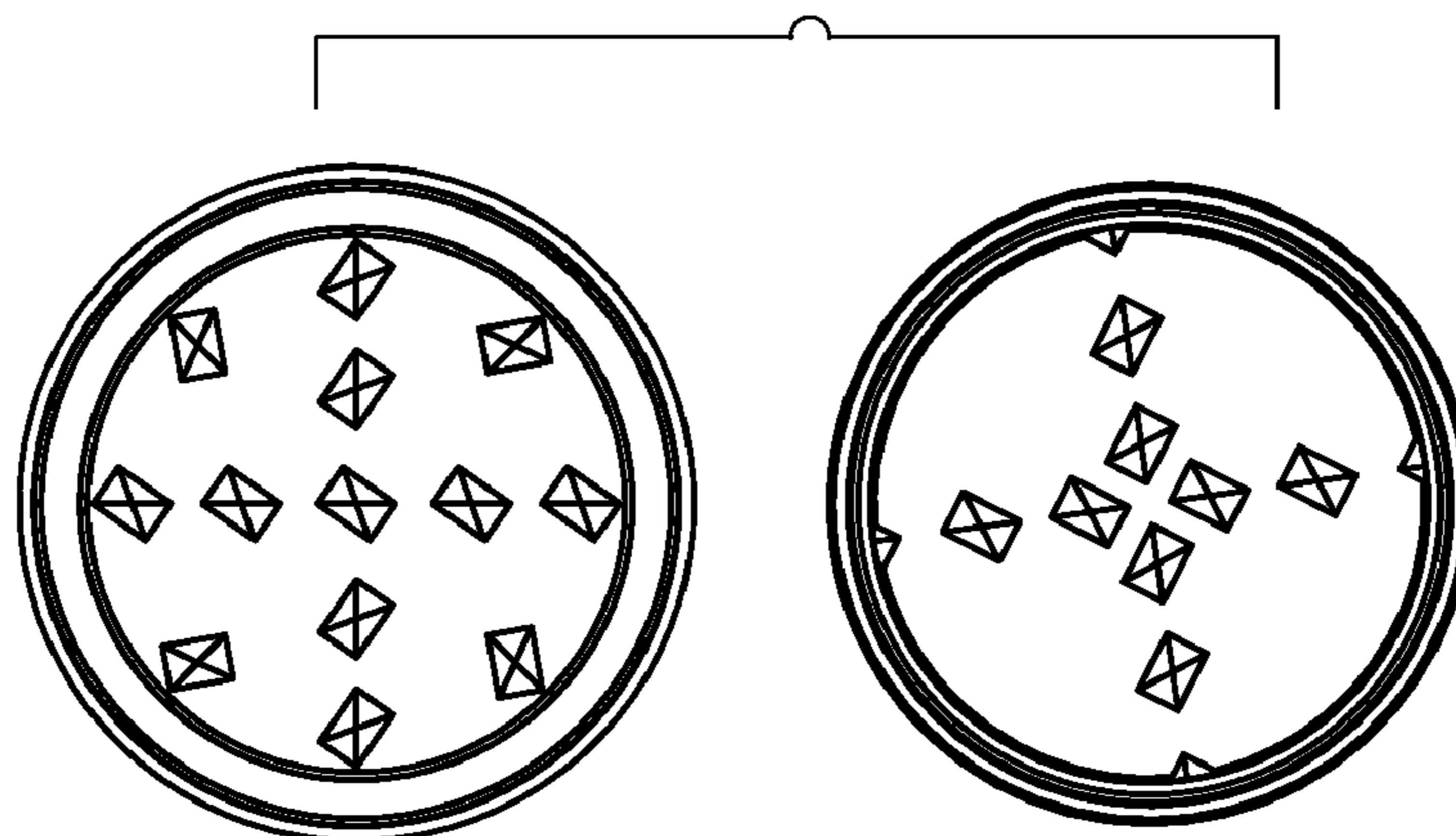


Figure 7

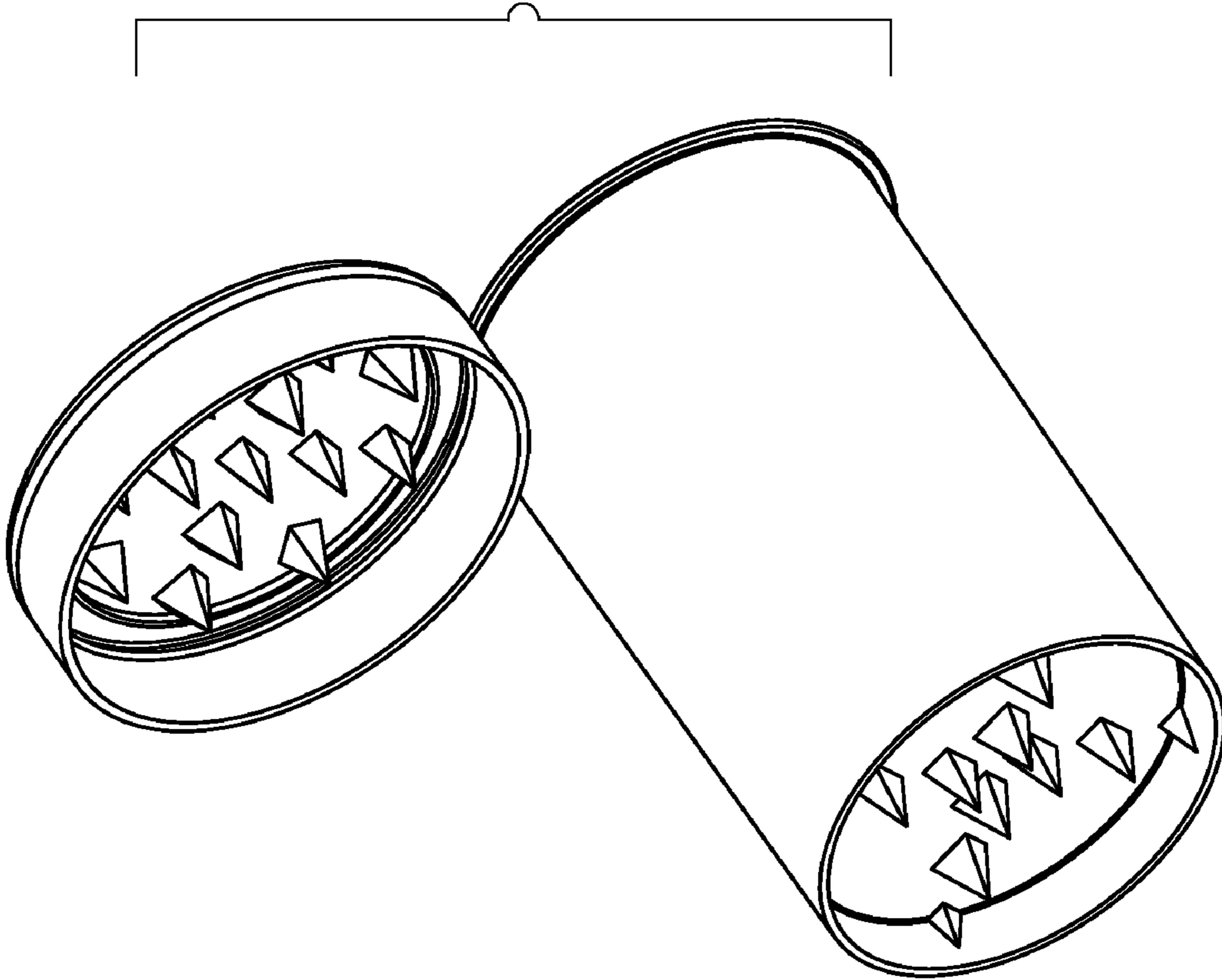


Figure 8