



US00D635409S

(12) **United States Design Patent**
Coffey

(10) **Patent No.:** **US D635,409 S**

(45) **Date of Patent:** **** Apr. 5, 2011**

(54) **HAND OPERATED SLICER**

(75) Inventor: **Jeffrey Coffey**, Longwood, FL (US)

(73) Assignee: **Yellow Brick Enterprises, LLC**,
Longwood, FL (US)

(**) Term: **14 Years**

(21) Appl. No.: **29/369,054**

(22) Filed: **Sep. 1, 2010**

(51) **LOC (9) Cl.** **07-04**

(52) **U.S. Cl.** **D7/674**

(58) **Field of Classification Search** D7/672-677,
D7/665, 666; 99/495, 506-511, 538; 241/167,
241/169.2, 168, 169.1, 95; 30/122, 114-117,
30/502, 501, 303, 299, 279.6, 304, 165
See application file for complete search history.

(56) **References Cited**

U.S. PATENT DOCUMENTS

1,868,401	A *	7/1932	Stuart	30/305
3,163,192	A *	12/1964	Lupoli	99/538
5,035,056	A *	7/1991	Sheffield	30/305
5,692,424	A *	12/1997	Wallace	83/167
5,749,145	A *	5/1998	Baukloh	30/114
D400,065	S *	10/1998	Fohrman	D7/673
D505,302	S *	5/2005	Veltrop et al.	D7/673
D510,507	S *	10/2005	Lo	D7/673
7,249,550	B1 *	7/2007	Thune, Jr.	83/599
2003/0079350	A1 *	5/2003	Howman et al.	30/114
2007/0022611	A1 *	2/2007	Verbiest	30/114

* cited by examiner

Primary Examiner — Terry A Wallace

(74) *Attorney, Agent, or Firm* — ShuffieldLowman;
Matthew G. McKinney

(57) **CLAIM**

The ornamental design for a hand operated slicer, as shown and described.

DESCRIPTION

FIG. 1 is a top perspective view of a hand operated slicer in a closed position;

FIG. 2 is a bottom perspective view thereof in a closed position;

FIG. 3 is a bottom view thereof in a closed position;

FIG. 4 is a top view thereof in a closed position;

FIG. 5 is a front view thereof in a closed position;

FIG. 6 is a rear view thereof in a closed position;

FIG. 7 is a right side elevational view thereof in a closed position;

FIG. 8 is a left side elevational view thereof in a closed position;

FIG. 9 is a top perspective view thereof in an open position;

FIG. 10 is a bottom perspective view thereof in an open position;

FIG. 11 is a top view thereof in an open position;

FIG. 12 is a bottom view thereof in an open position;

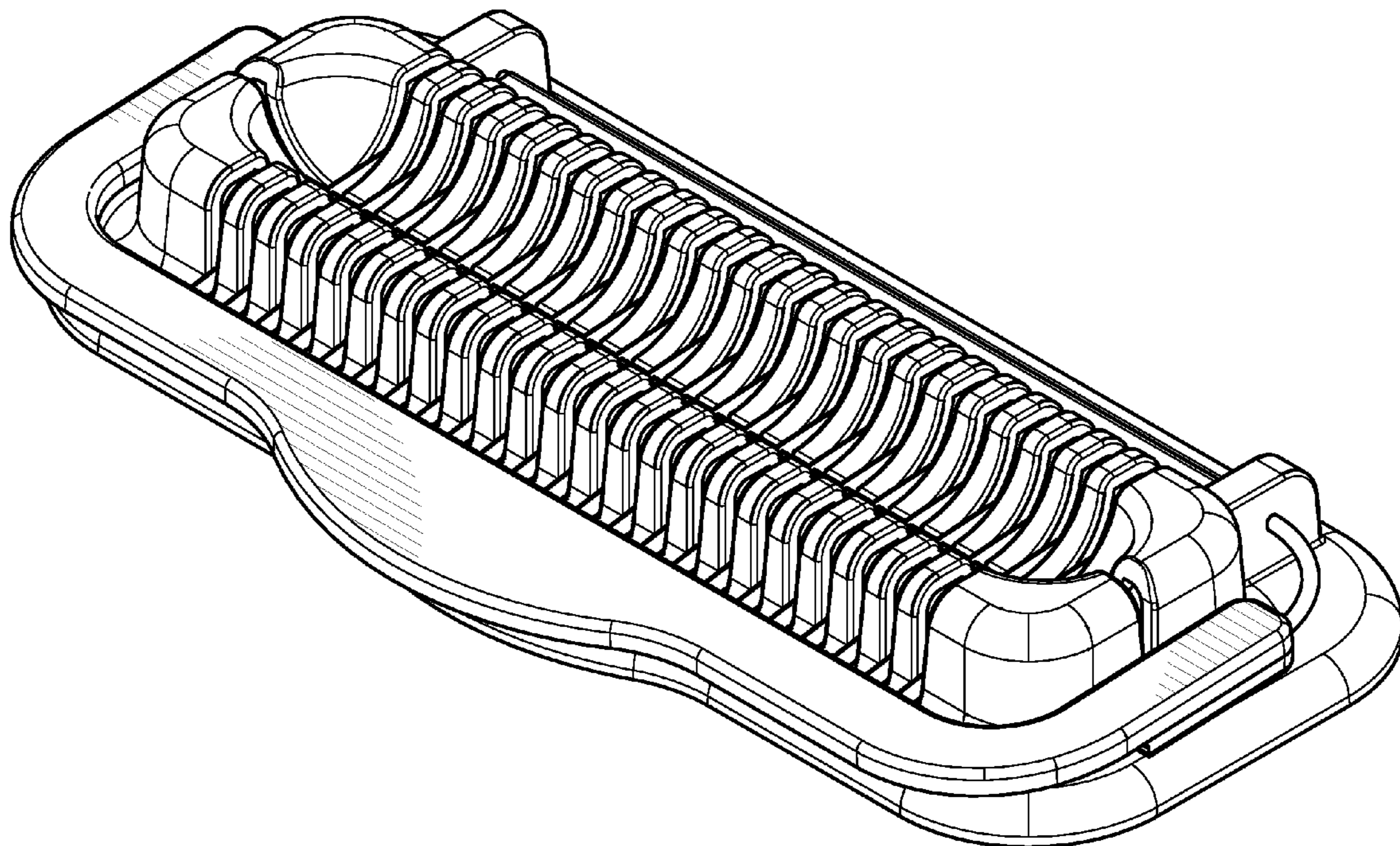
FIG. 13 is a front view thereof in an open position;

FIG. 14 is a rear view thereof in an open position;

FIG. 15 is a right side elevational view thereof in an open position; and,

FIG. 16 is a left side elevational view thereof in an open position.

1 Claim, 13 Drawing Sheets



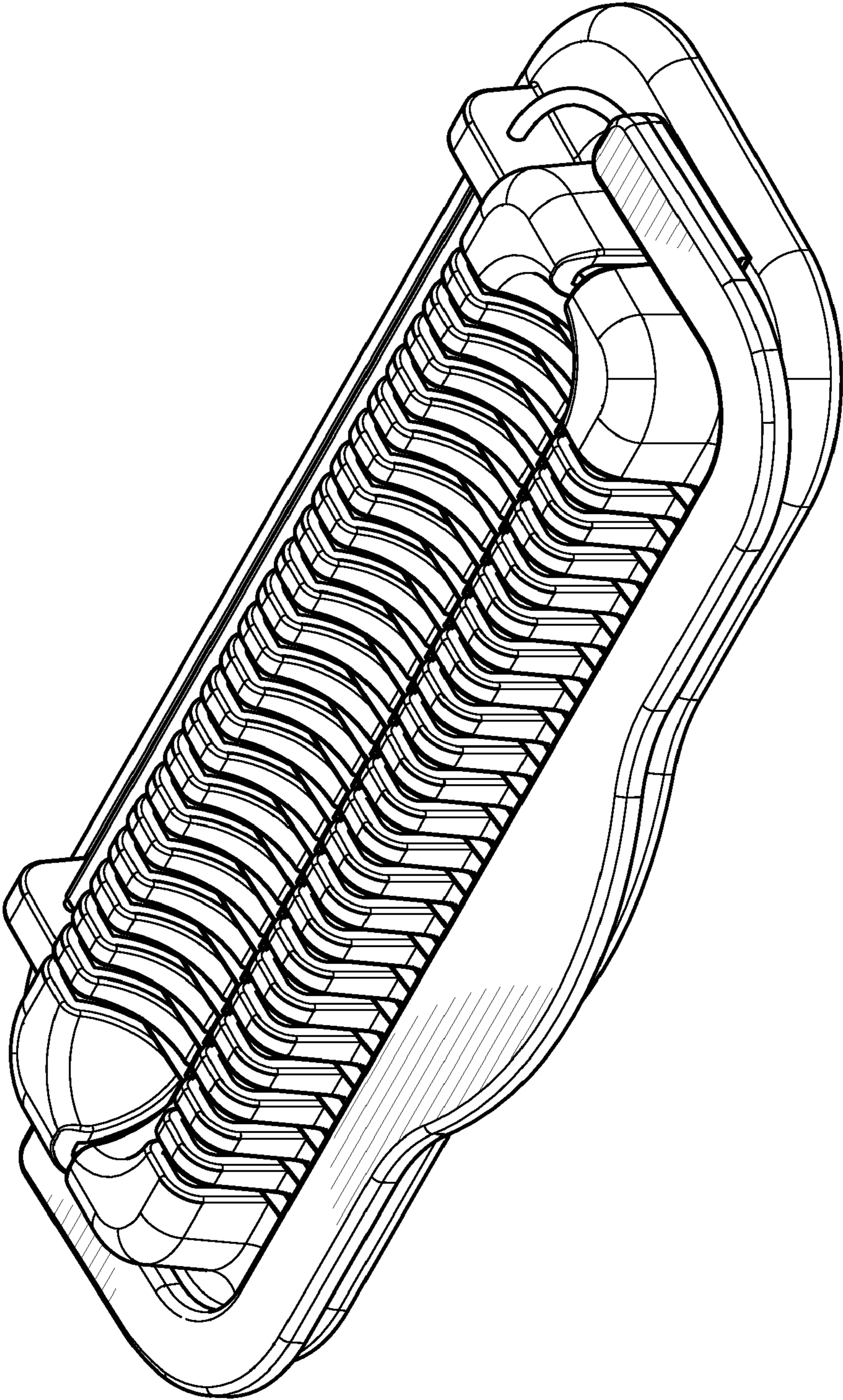


FIG. 1

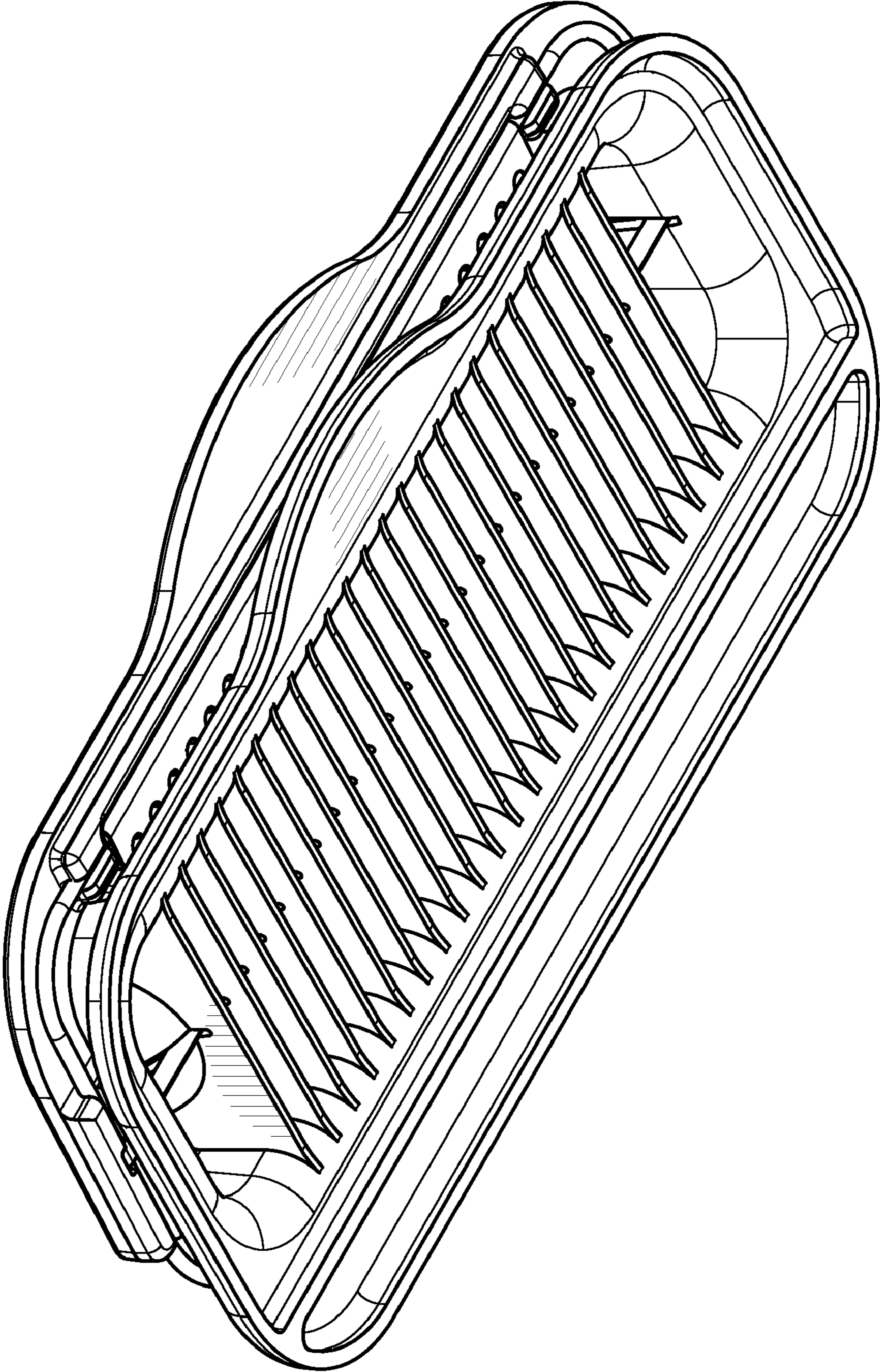


FIG. 2

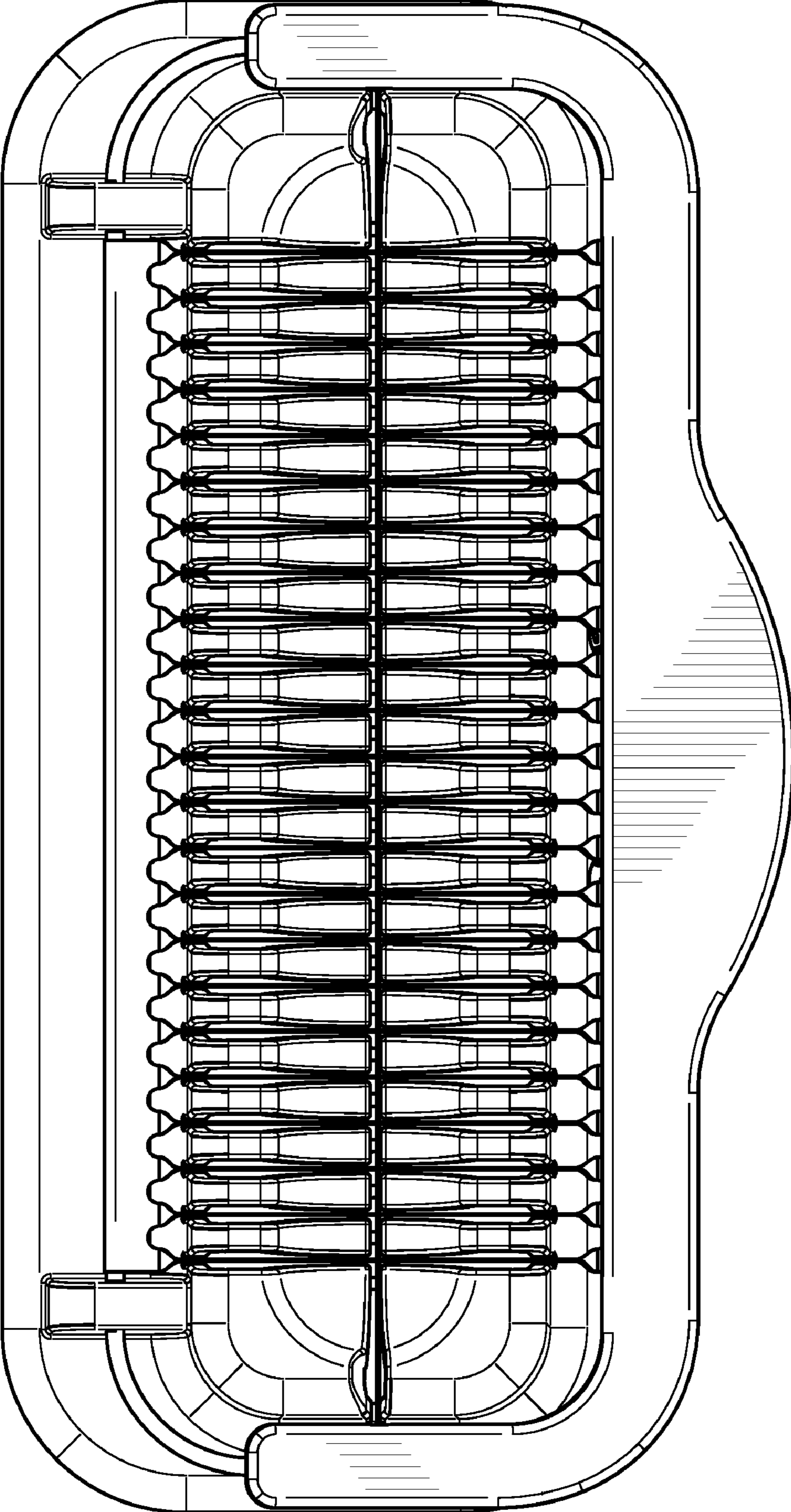


FIG. 3

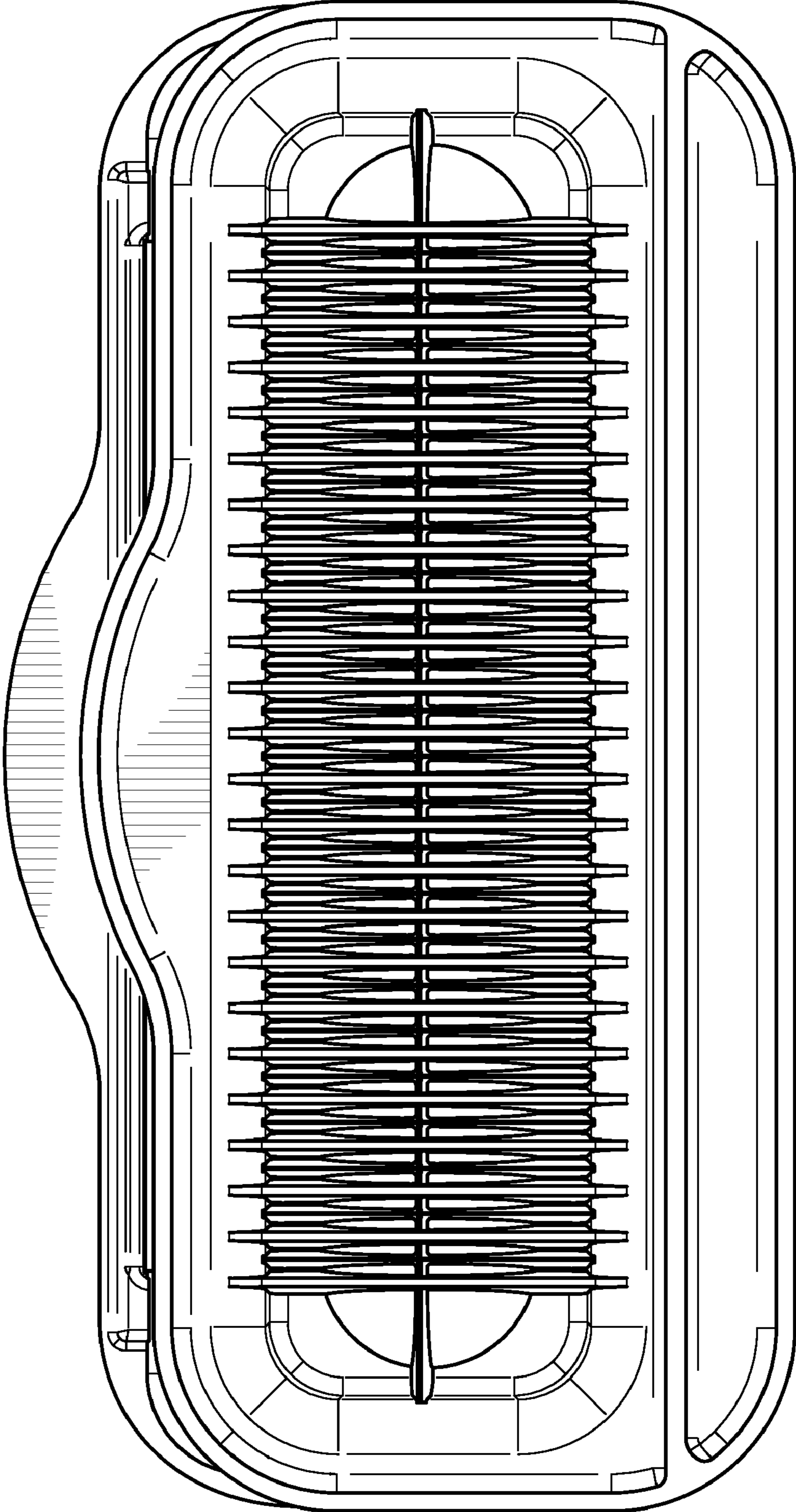


FIG. 4

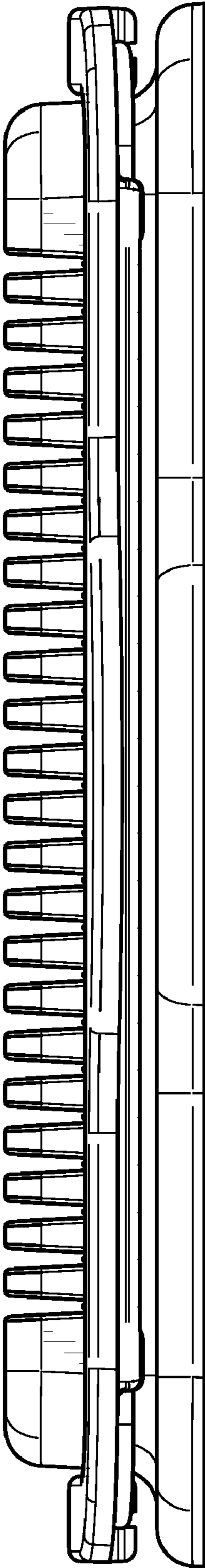


FIG. 5

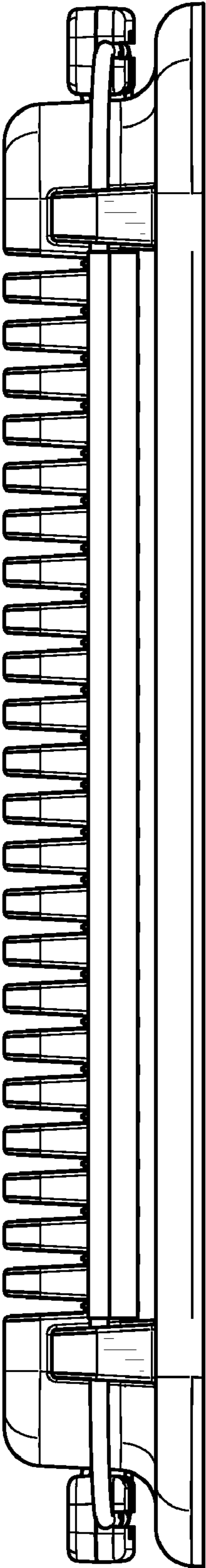


FIG. 6

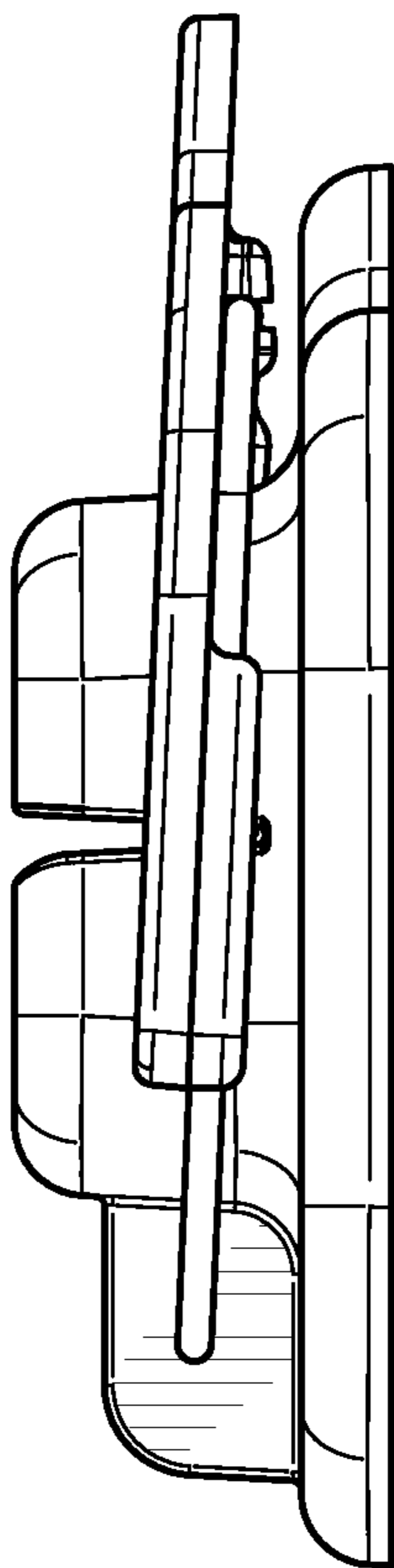


FIG. 8

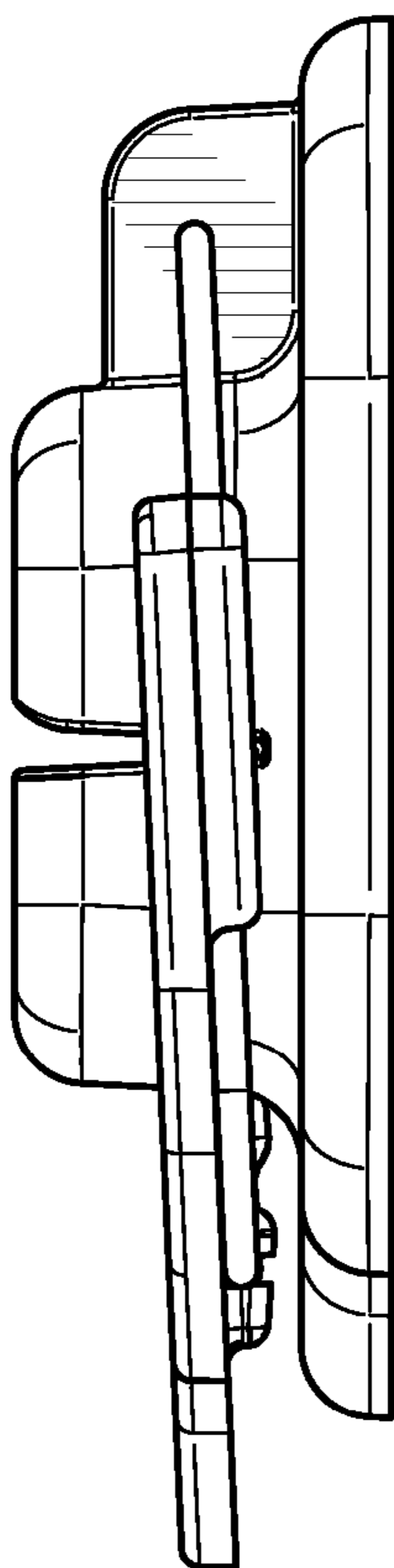


FIG. 7

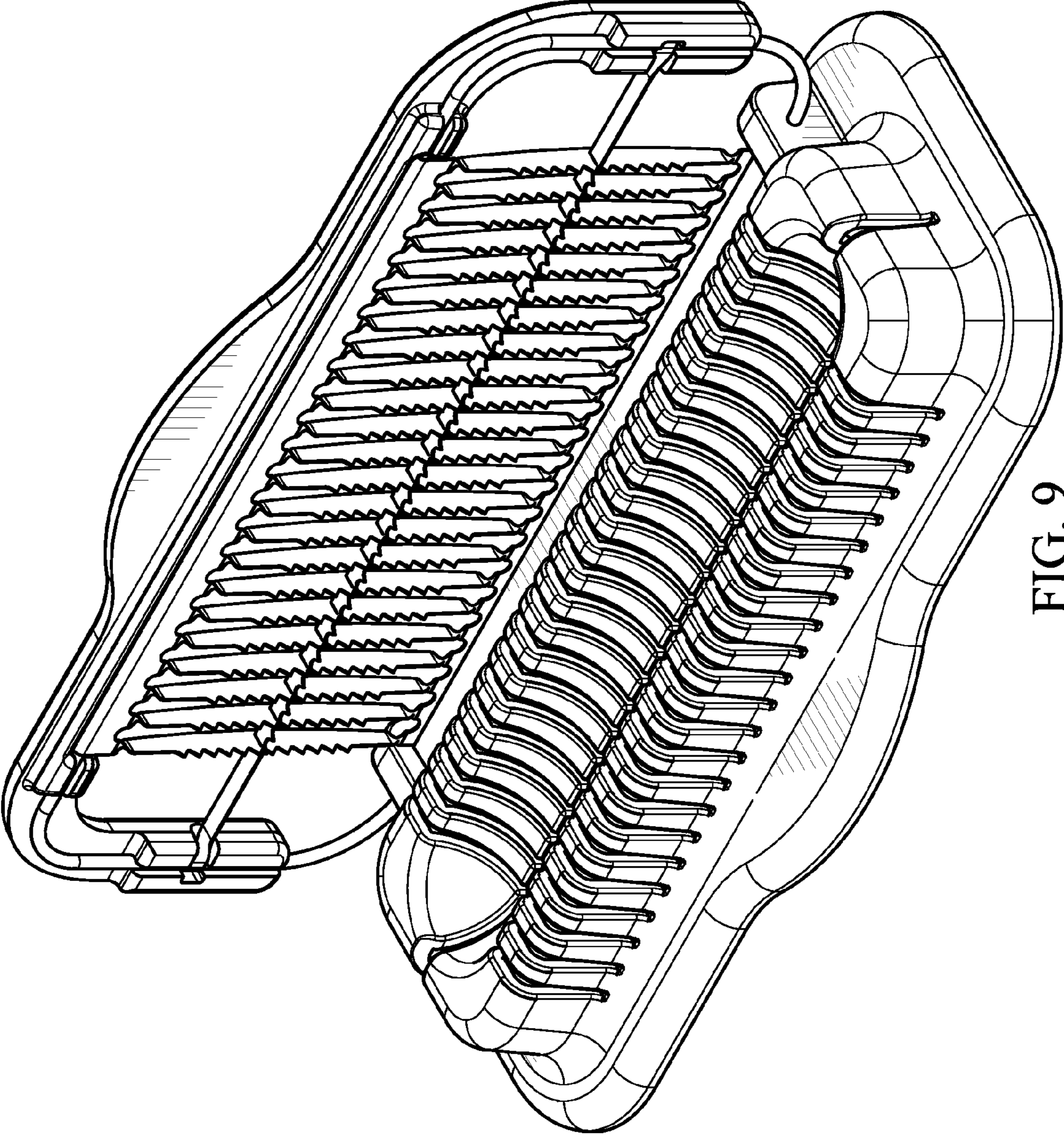


FIG. 9

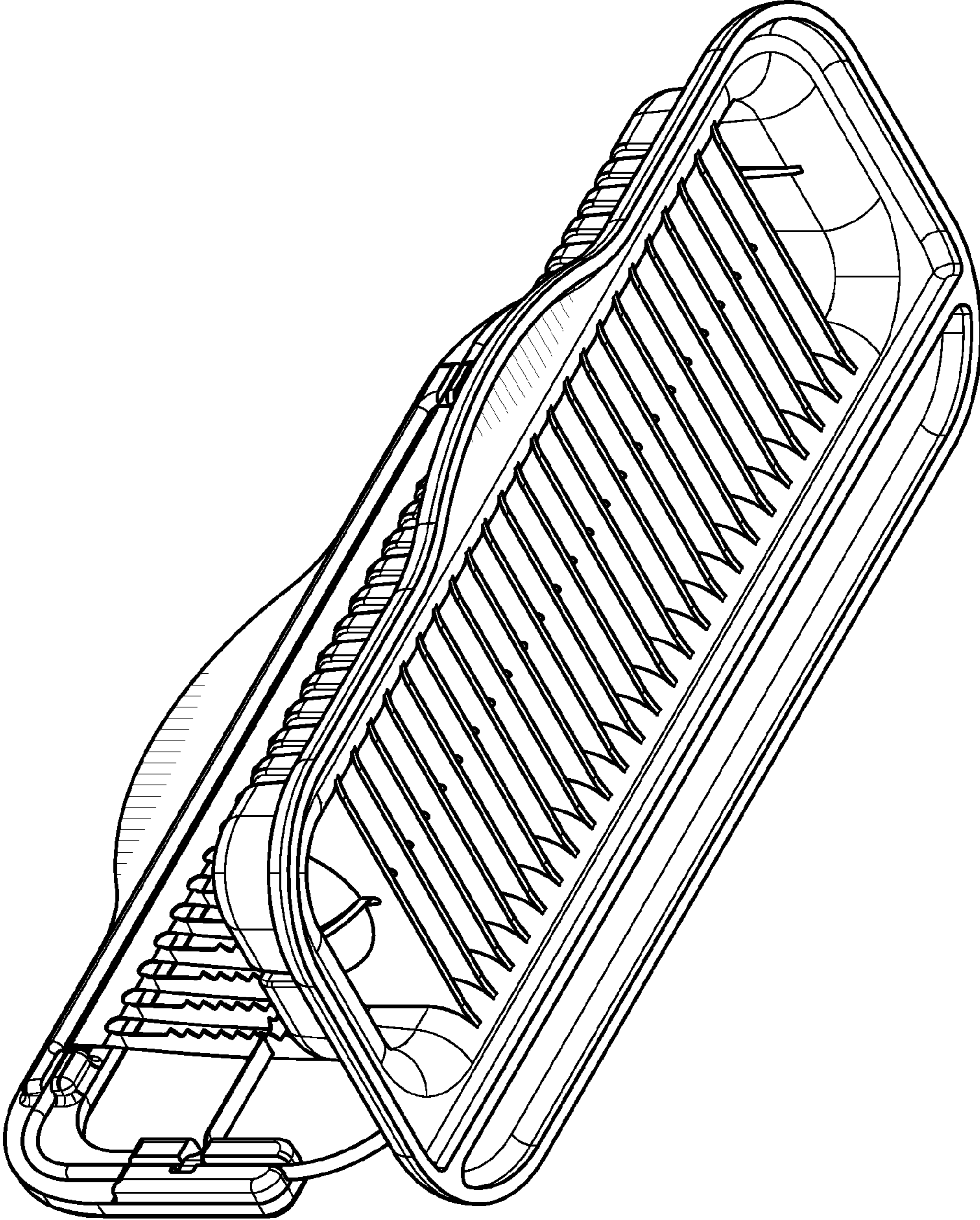


FIG. 10

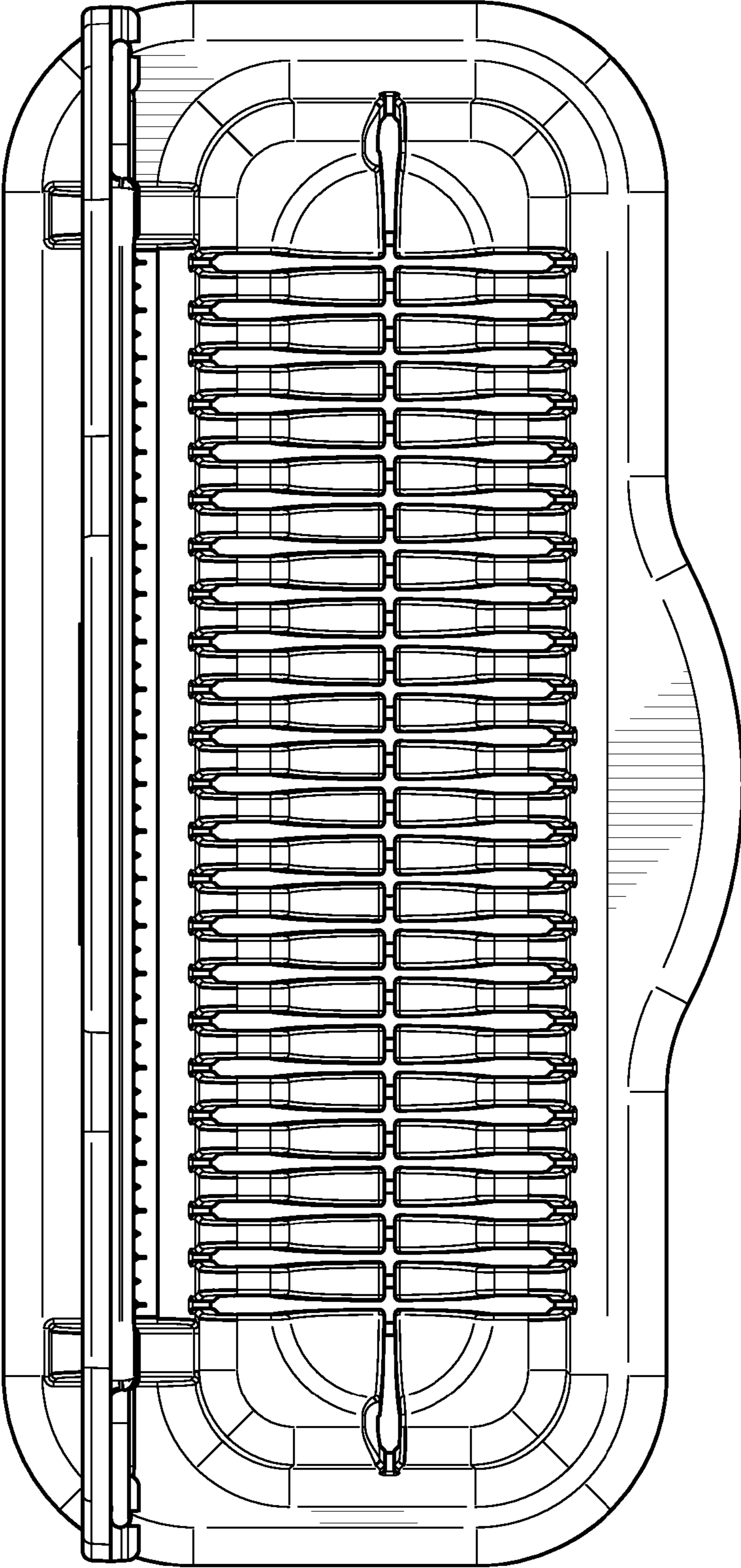


FIG. 11

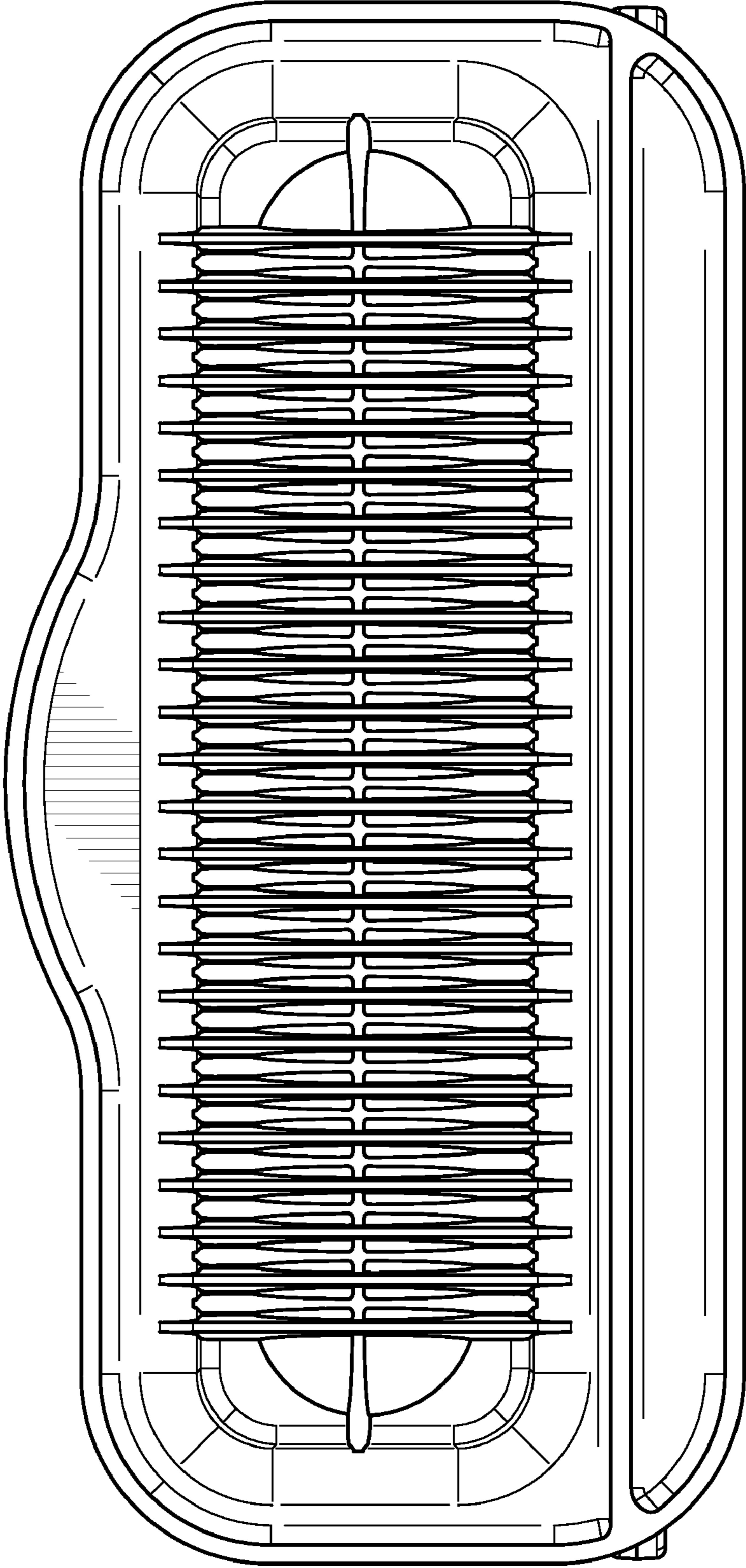


FIG. 12

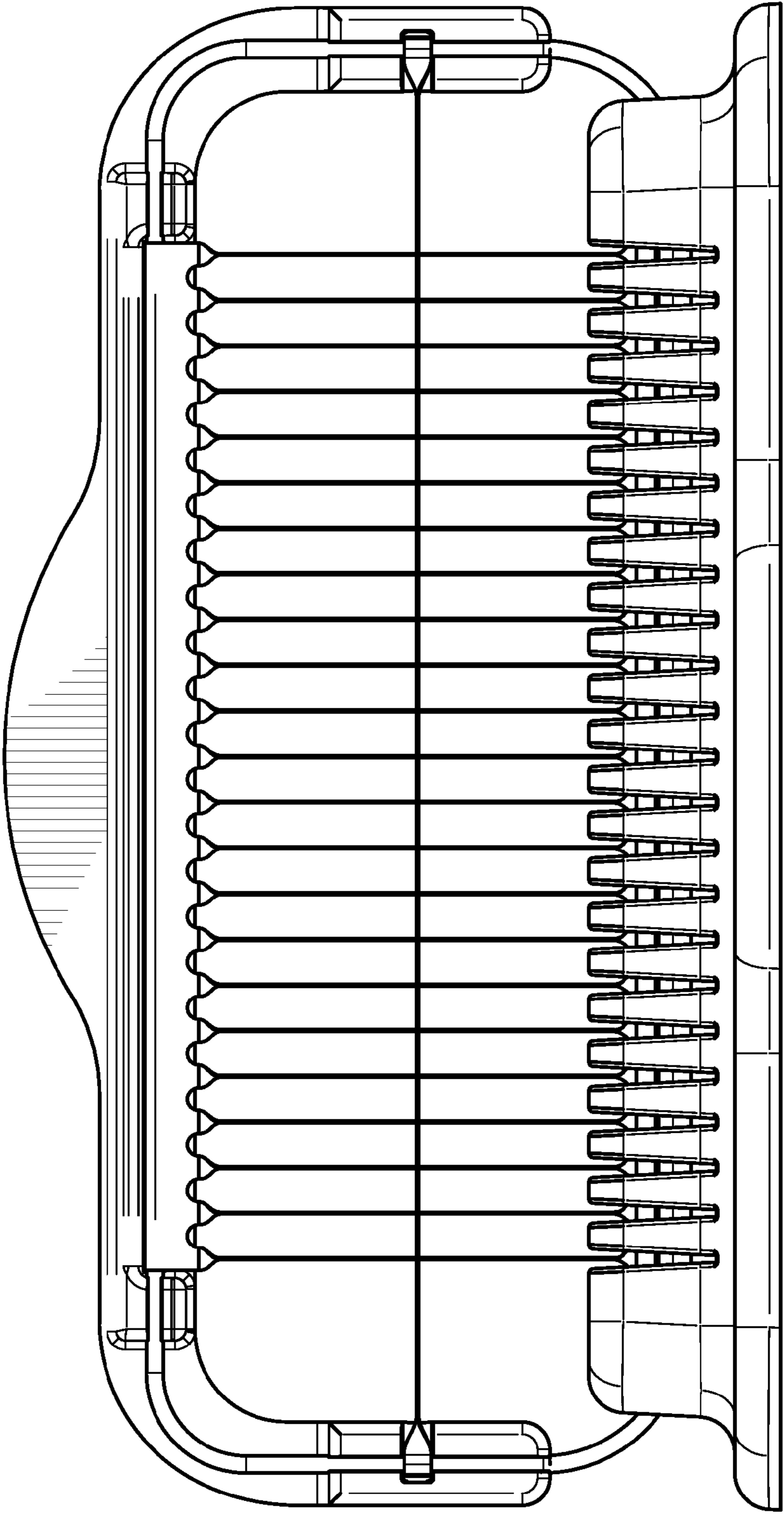


FIG. 13

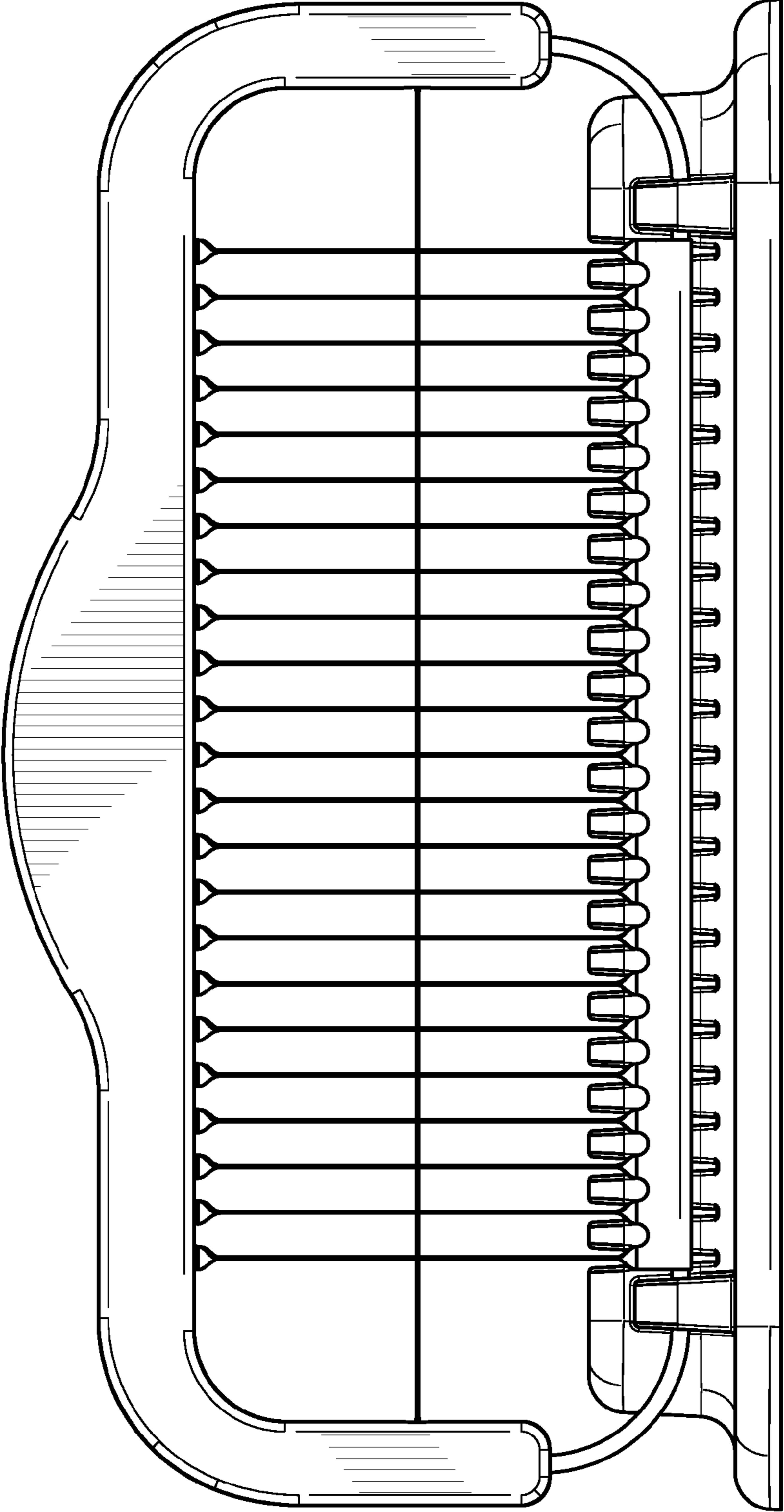


FIG. 14

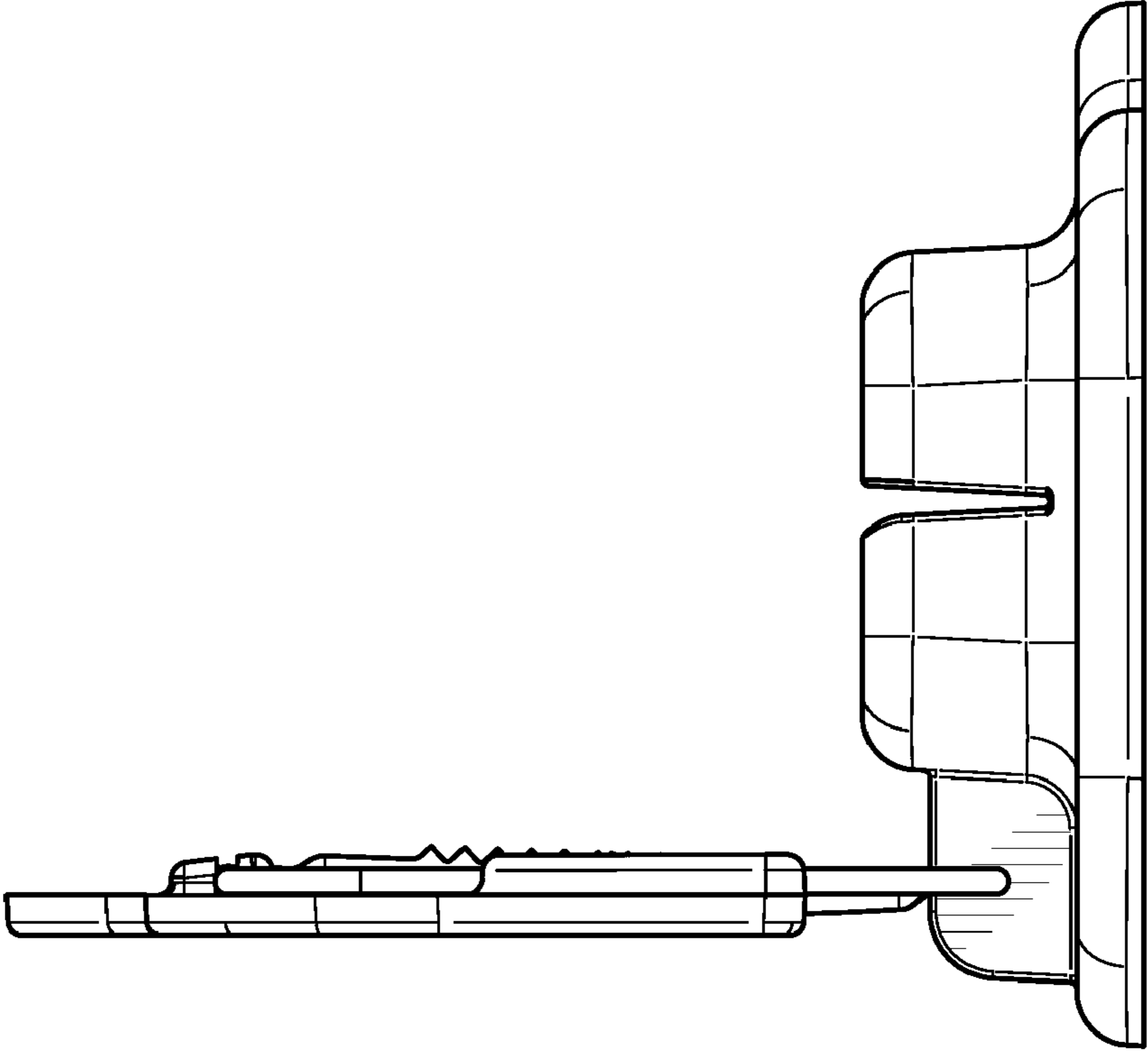


FIG. 15

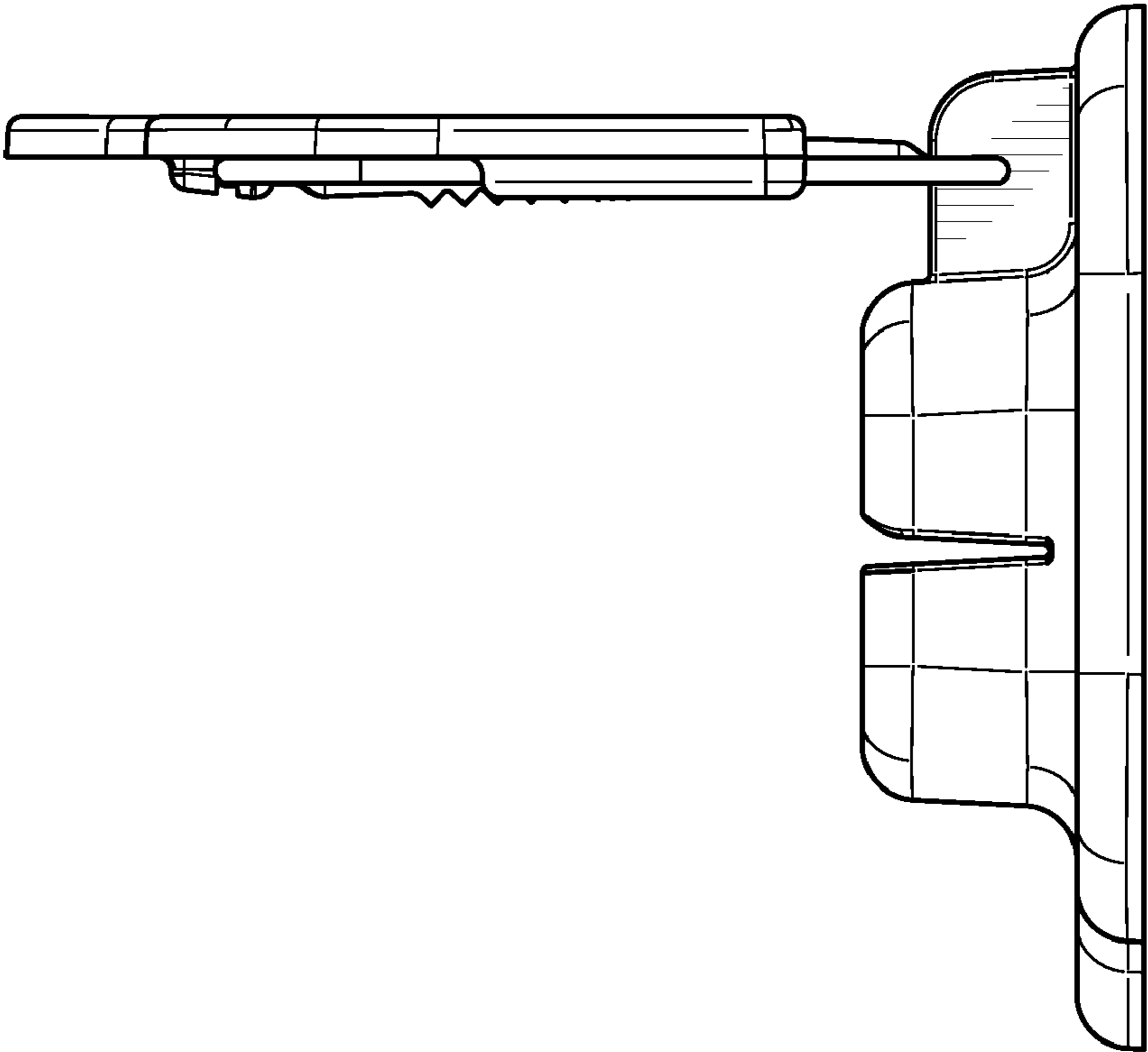


FIG. 16