



US00D635408S

(12) **United States Design Patent**
Carter

(10) **Patent No.:** **US D635,408 S**

(45) **Date of Patent:** **** Apr. 5, 2011**

(54) **DRINK HOLDER**

(75) Inventor: **Kevin Carter**, Toronto (CA)

(73) Assignee: **Top of the Line Sportswear Inc.**,
Toronto (CA)

(**) Term: **14 Years**

(21) Appl. No.: **29/354,321**

(22) Filed: **Jan. 22, 2010**

(51) **LOC (9) Cl.** **07-06**

(52) **U.S. Cl.** **D7/625**

(58) **Field of Classification Search** D7/619.1-625,
D7/606, 604; 62/457.1-457.9; 220/737,
220/739, 915.1, 915.2; 215/392-396; D12/86,
D12/88; D21/424

See application file for complete search history.

(56) **References Cited**

U.S. PATENT DOCUMENTS

D209,313 S * 11/1967 Appel D7/625
5,873,763 A * 2/1999 Morgan 446/78

D469,387 S * 1/2003 Ramaciotti D12/92
D513,937 S * 1/2006 Cox D7/606
D521,323 S * 5/2006 Cox D7/606
D536,747 S * 2/2007 Barmes et al. D7/619.2
2007/0131118 A1* 6/2007 Bruce D07/509

* cited by examiner

Primary Examiner — Terry A Wallace

(74) *Attorney, Agent, or Firm* — Macleod Dixon LLP

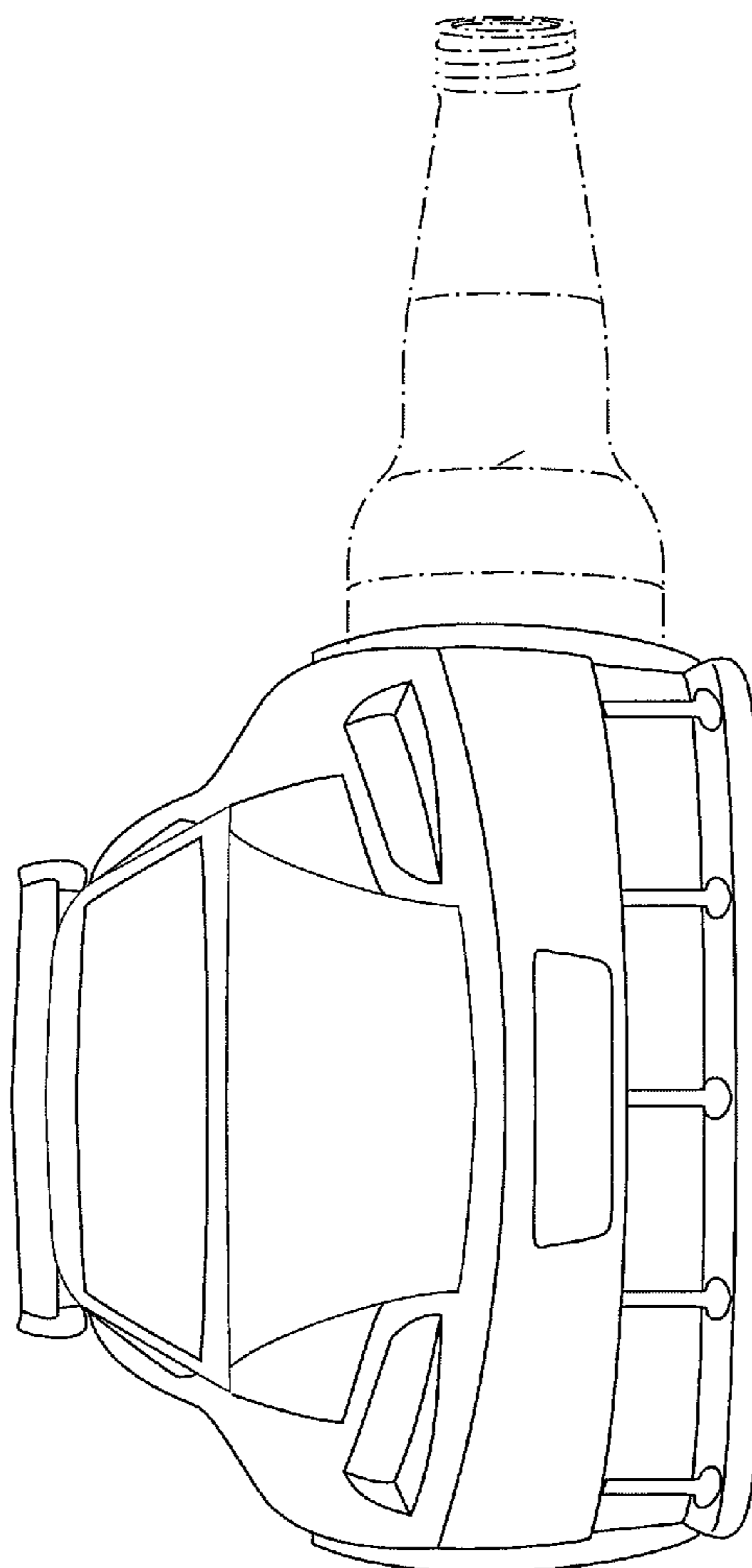
(57) **CLAIM**

The ornamental design for a drink holder, as shown and described.

DESCRIPTION

FIG. 1 is a front view of the drink holder showing my new design, the bottle is shown in broken lines for illustrative purposes only and forms no part of the claimed design; FIG. 2 is a back plan view of the drink holder. FIG. 3 is a right side plan view of the drink holder. FIG. 4 is a left side plan view of the drink holder. FIG. 5 is a top view of the drink holder; and, FIG. 6 is a bottom view of the drink holder.

1 Claim, 6 Drawing Sheets



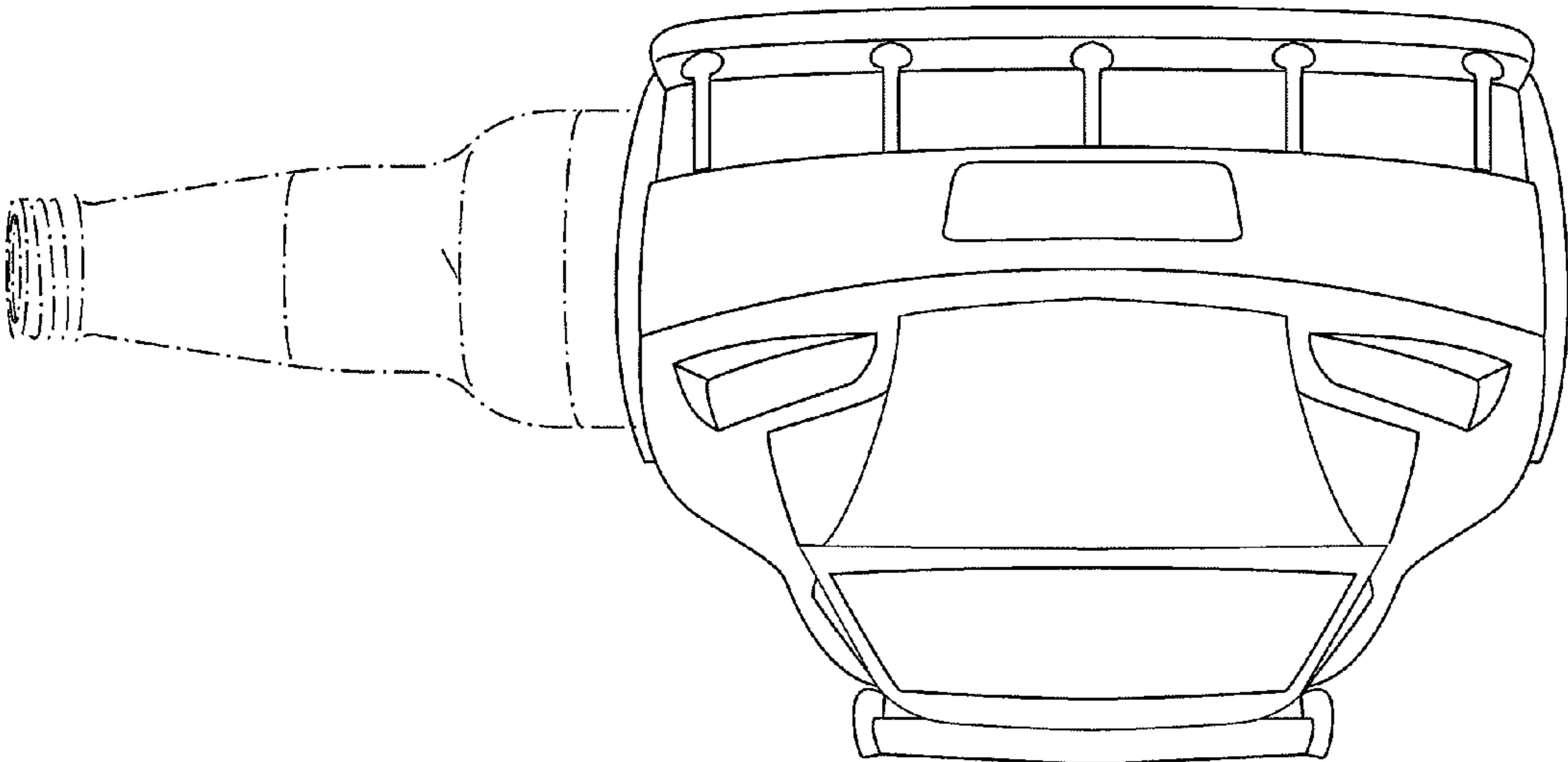


FIG. 1

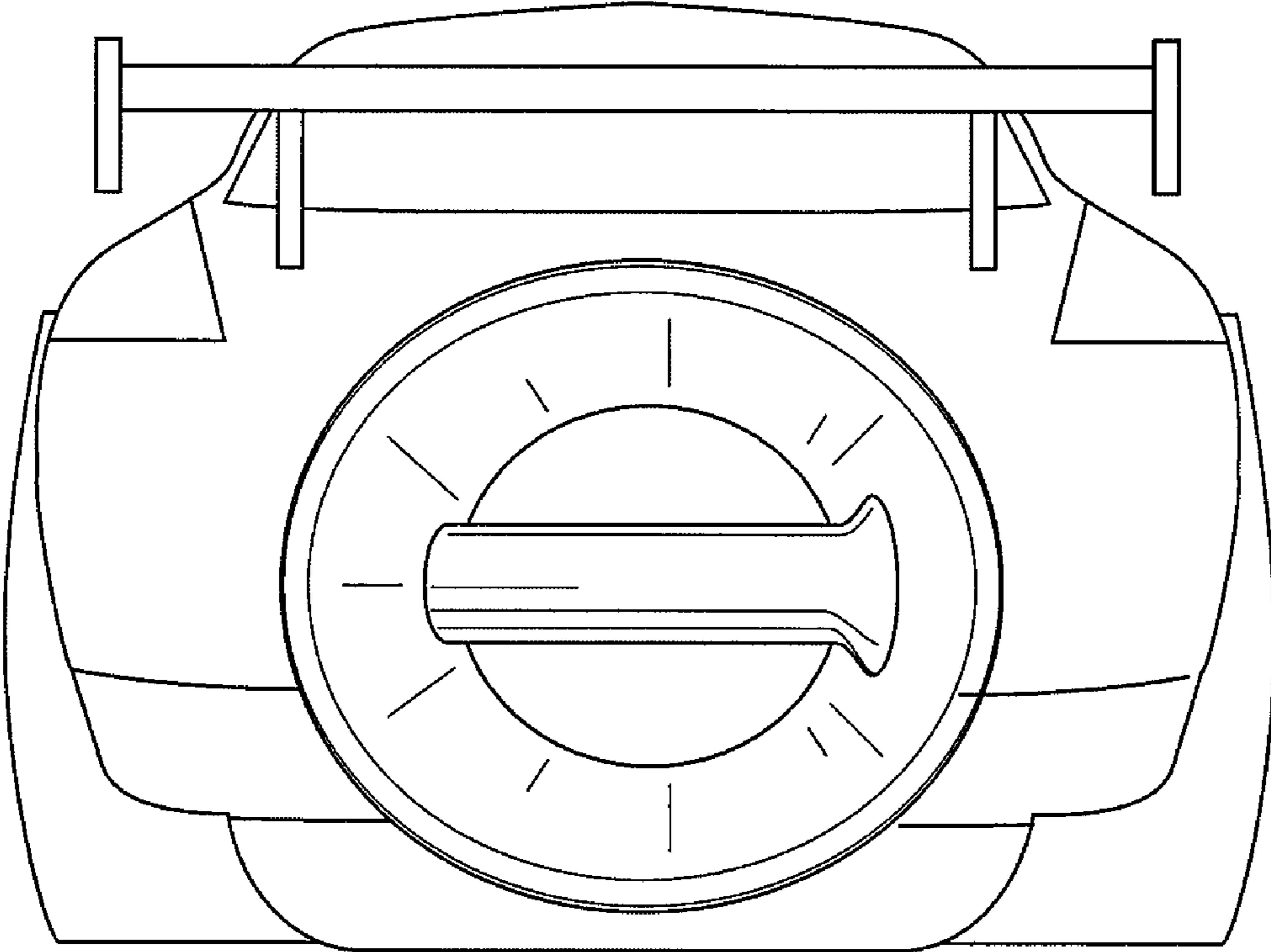


FIG. 2

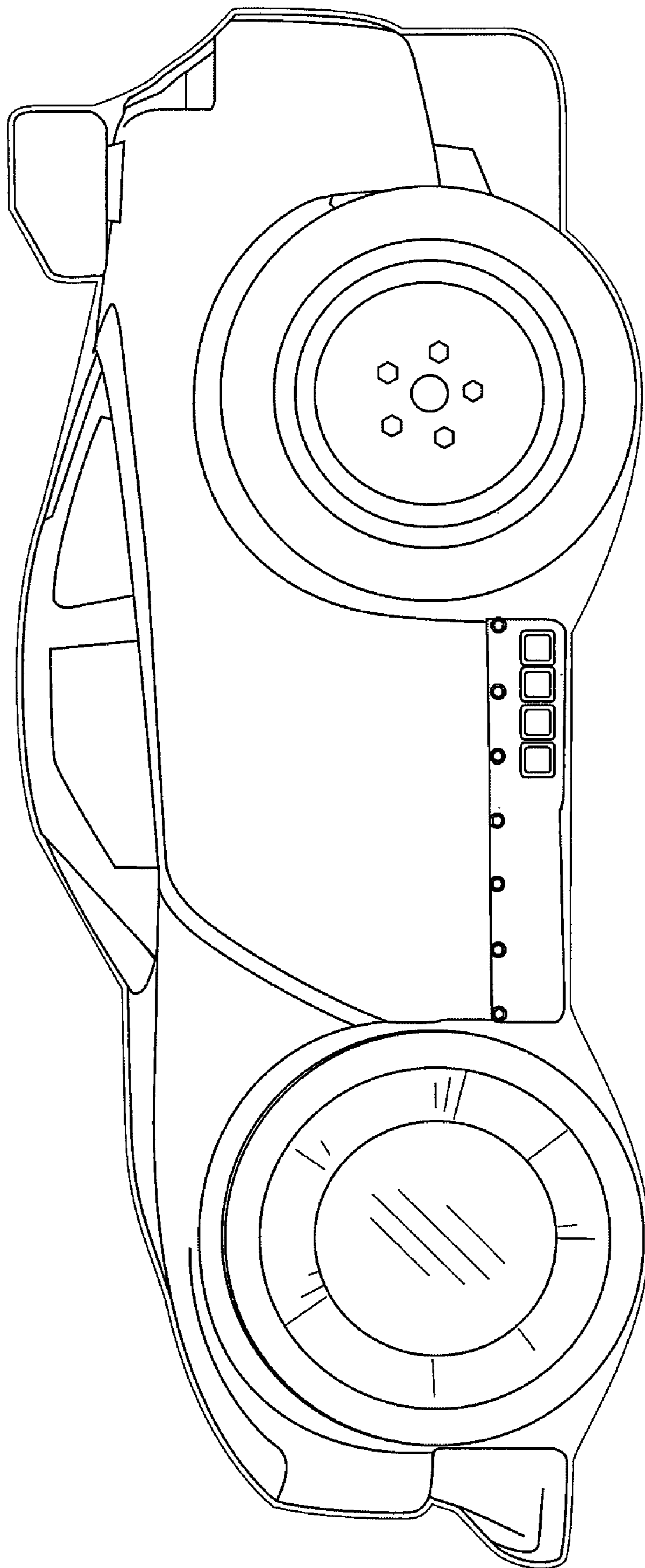


FIG. 3

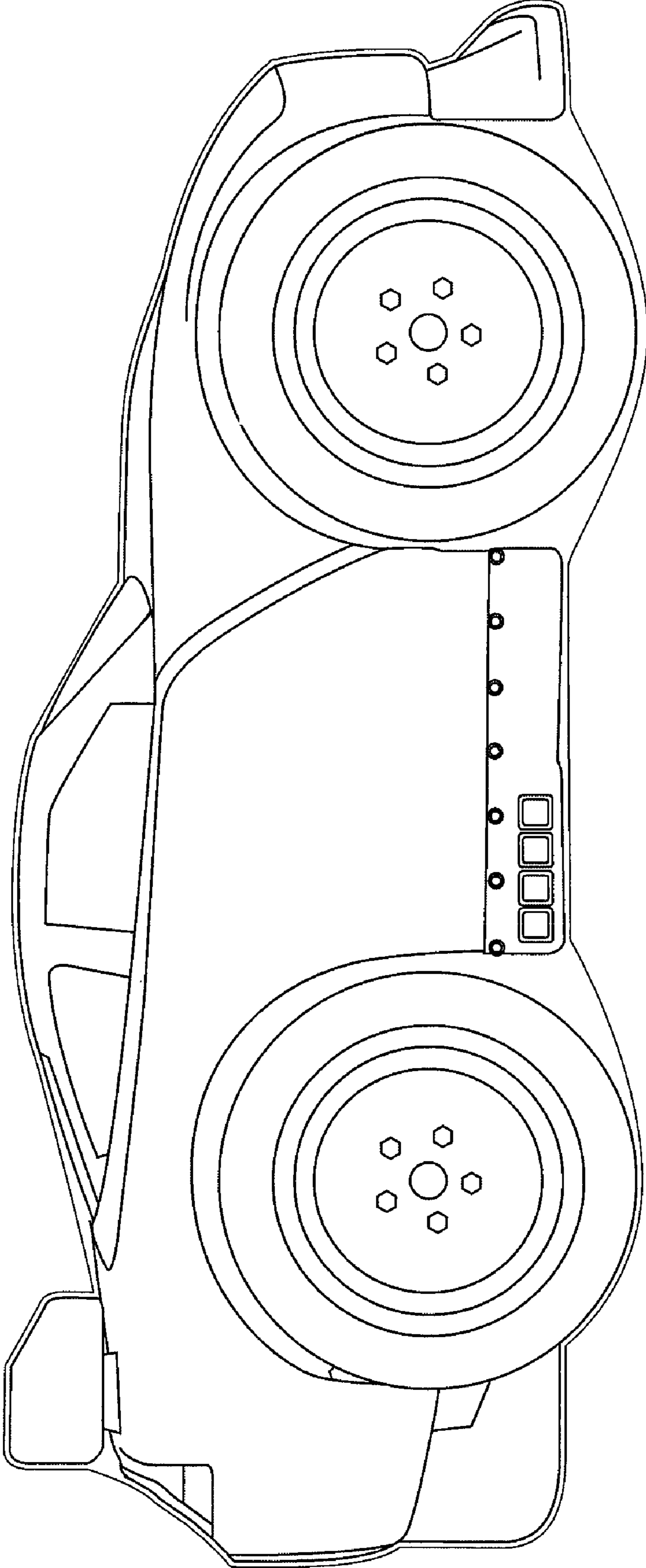


FIG. 4

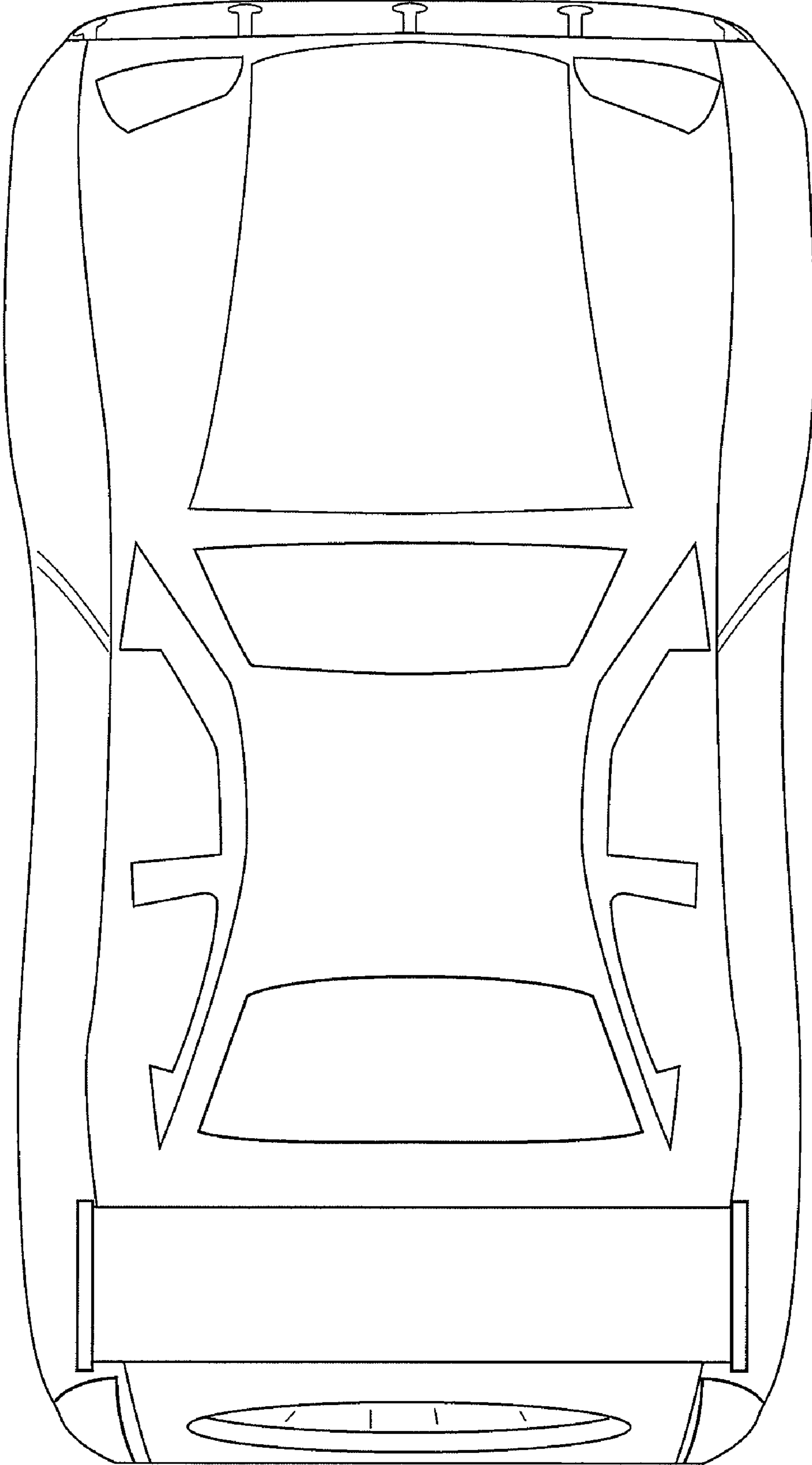


FIG. 5

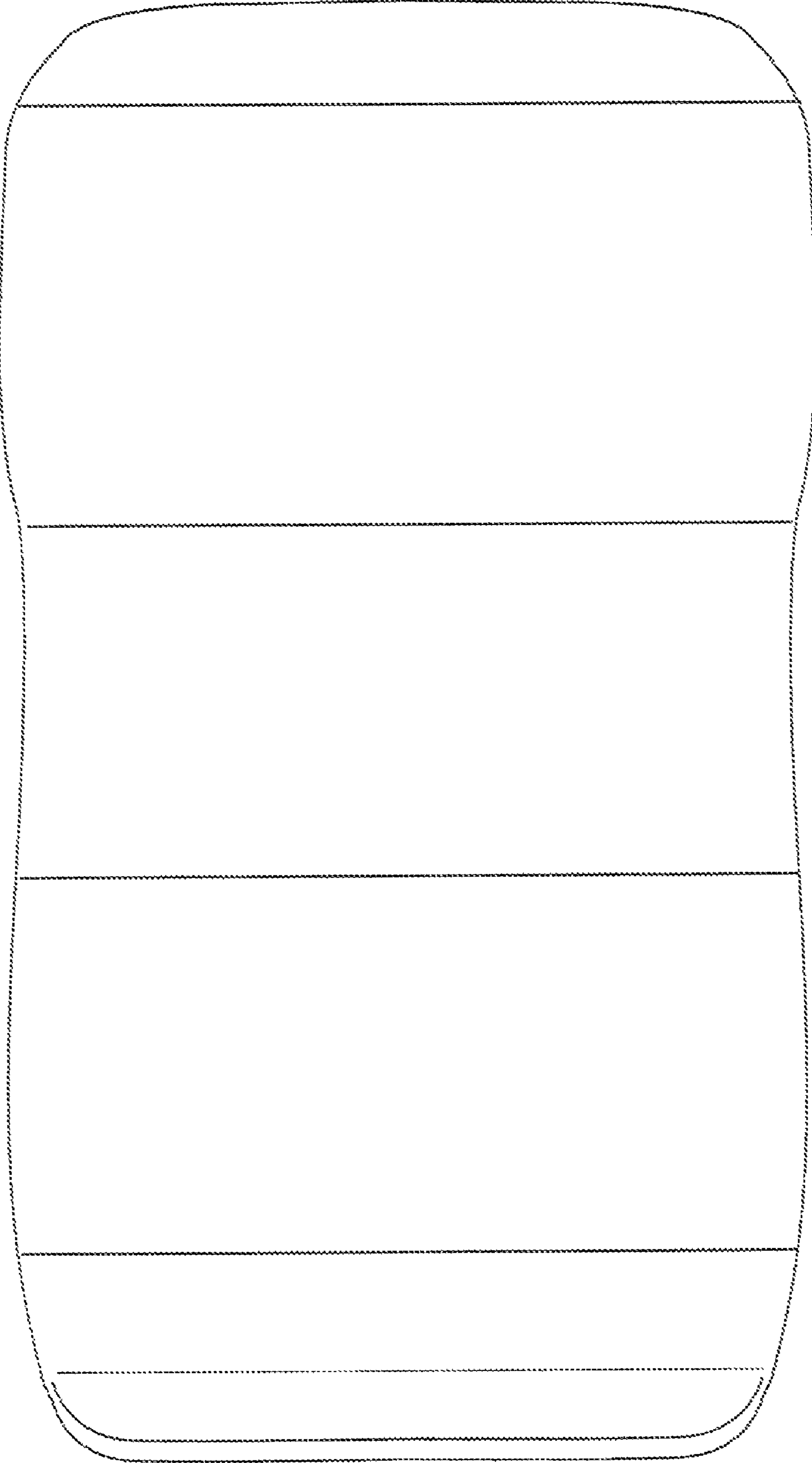


FIG. 6