



US00D635407S

(12) **United States Design Patent**
Ceder

(10) **Patent No.:** **US D635,407 S**

(45) **Date of Patent:** **** Apr. 5, 2011**

(54) **BOTTLE HOLDER**

(75) Inventor: **Julien Ceder**, Reims (FR)

(73) Assignee: **MHCS**, Epernay (FR)

(**) Term: **14 Years**

(21) Appl. No.: **29/370,364**

(22) Filed: **Jul. 6, 2010**

(51) **LOC (9) Cl.** **07-06**

(52) **U.S. Cl.** **D7/622**

(58) **Field of Classification Search** D7/619.1-625,
D7/701, 704, 707, 708; 215/394-396; 220/737,
220/739, 742, 769; 294/29, 32, 33, 137
See application file for complete search history.

(56) **References Cited**

U.S. PATENT DOCUMENTS

2,128,466 A * 8/1938 Machotka 294/32
3,014,621 A * 12/1961 Povitz 294/29
3,425,735 A * 2/1969 Ratliff 294/33

D251,655 S * 4/1979 Stephenson D7/622
* cited by examiner

Primary Examiner — Terry A Wallace

(74) *Attorney, Agent, or Firm* — Fross Zelnick Lehrman &
Zissu, P.C.; Charles T. J. Weigell, Esq

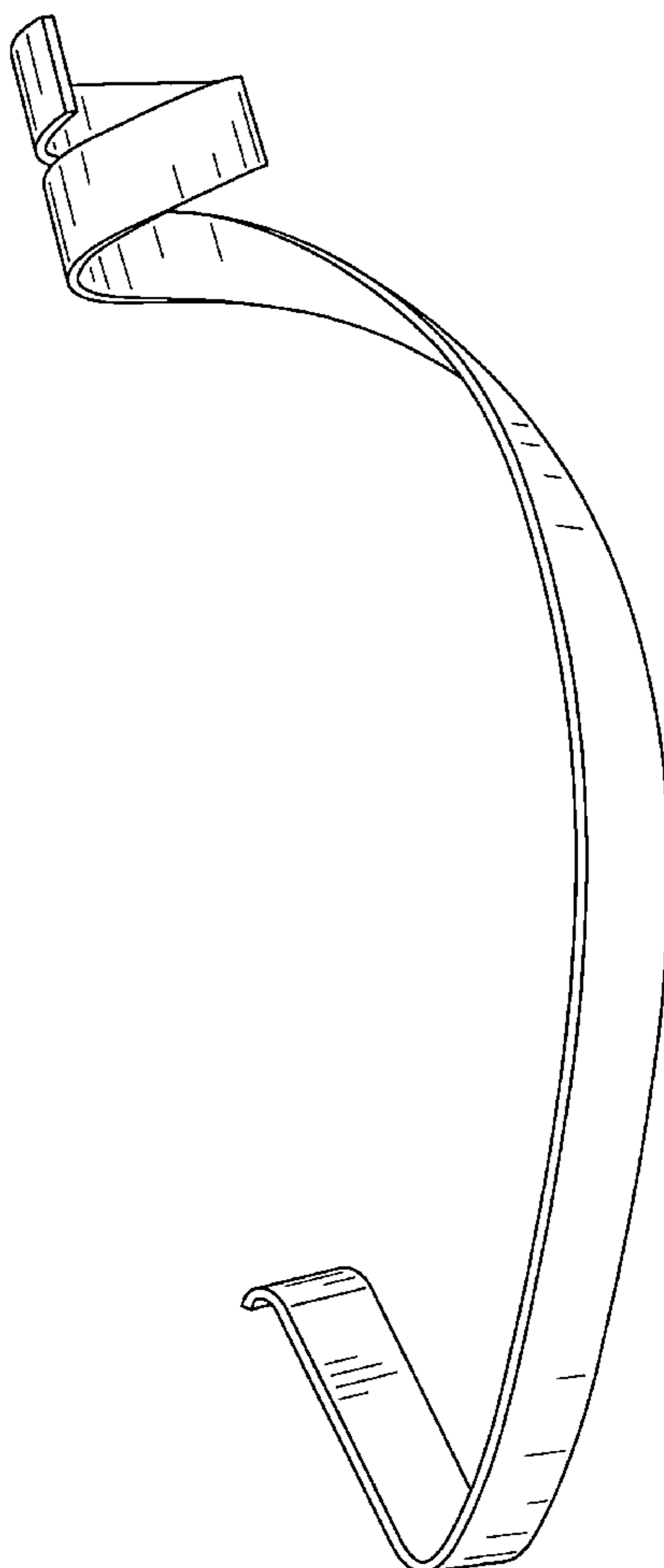
(57) **CLAIM**

The ornamental design for a bottle holder, as shown and described.

DESCRIPTION

FIG. 1 is a front perspective view of a bottle holder showing my new design;
FIG. 2 is a front view of the bottle holder shown in FIG. 1;
FIG. 3 is a rear view of the bottle holder shown in FIG. 1;
FIG. 4 is a right side view of the bottle holder shown in FIG. 1;
FIG. 5 is a left side view of the bottle holder shown in FIG. 1;
FIG. 6 is a top view of the bottle holder shown in FIG. 1; and,
FIG. 7 is a bottom view of the bottle holder shown in FIG. 1.
The broken lines showing of the bottle are for illustrative purposes and form no part of the claimed design.

1 Claim, 6 Drawing Sheets



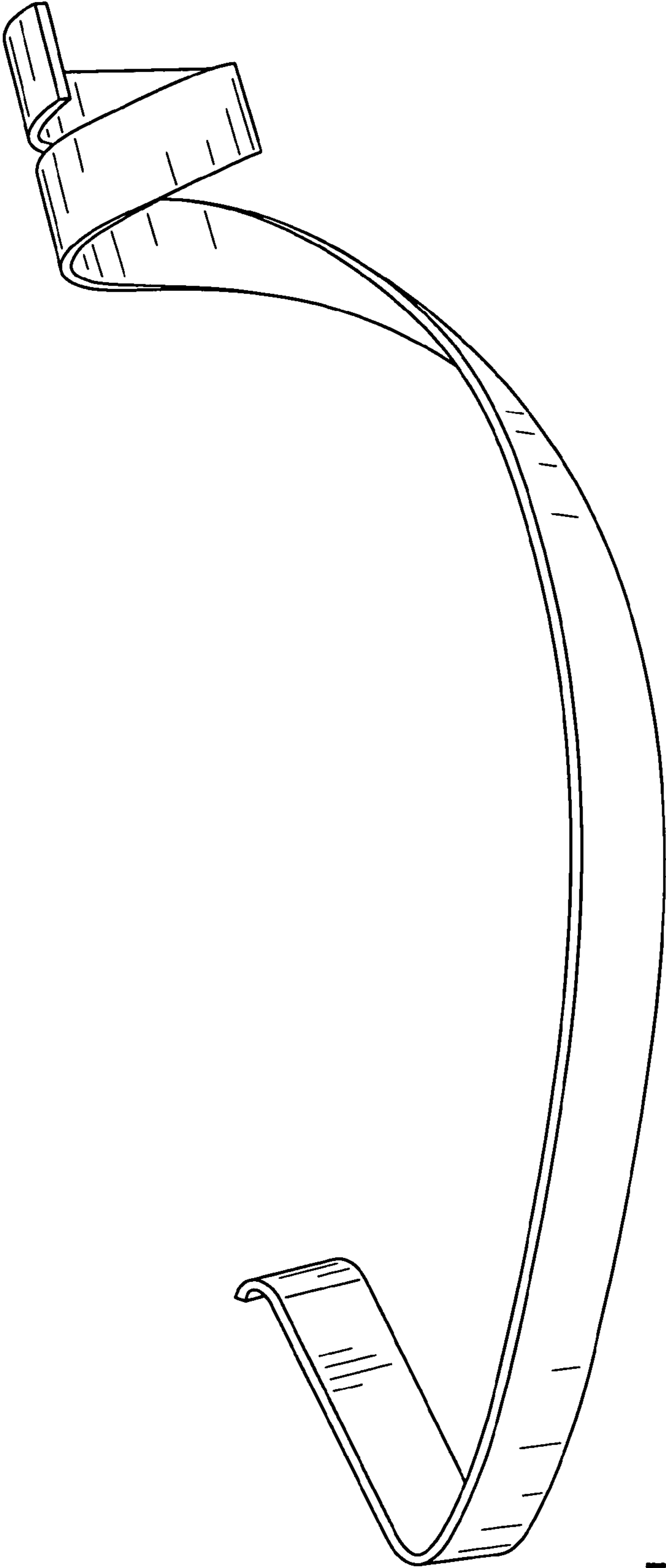


FIG. 1

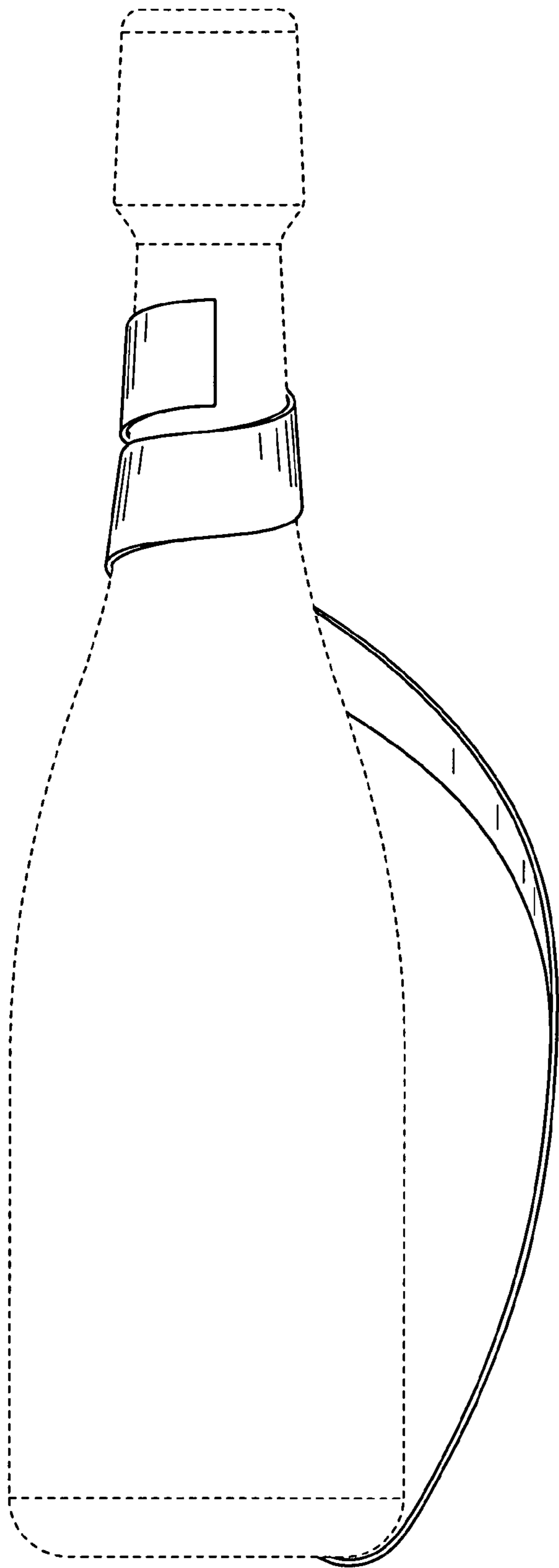


FIG. 2

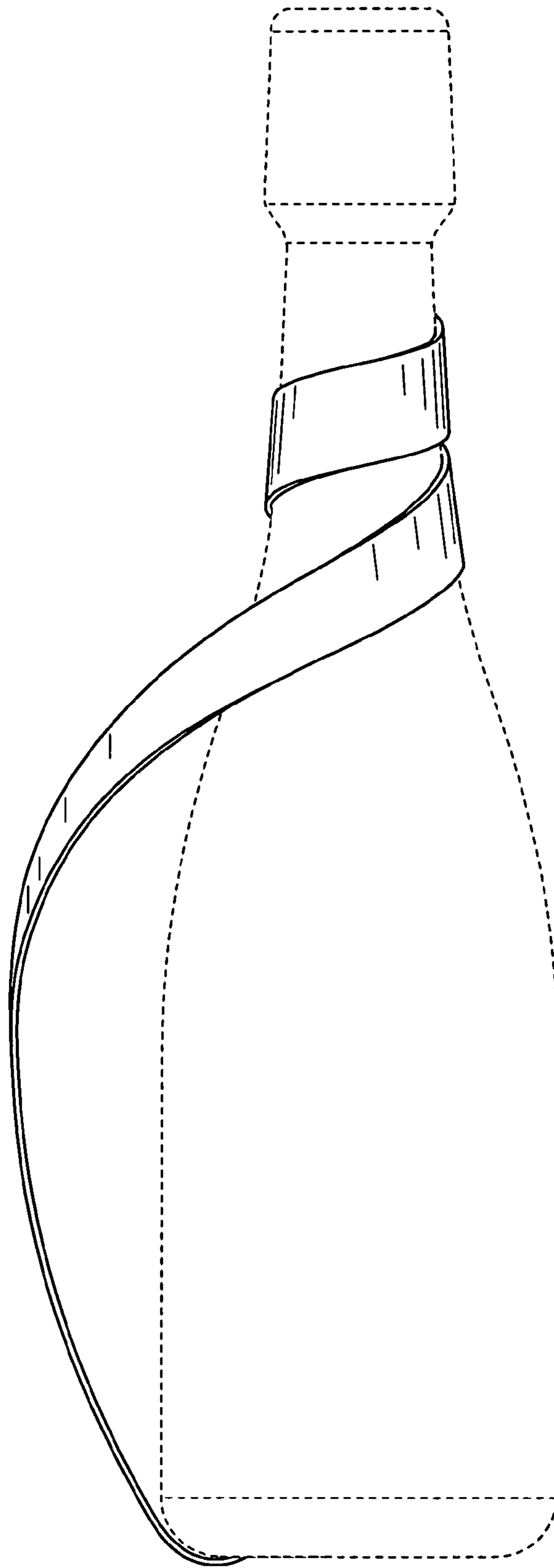


FIG. 3

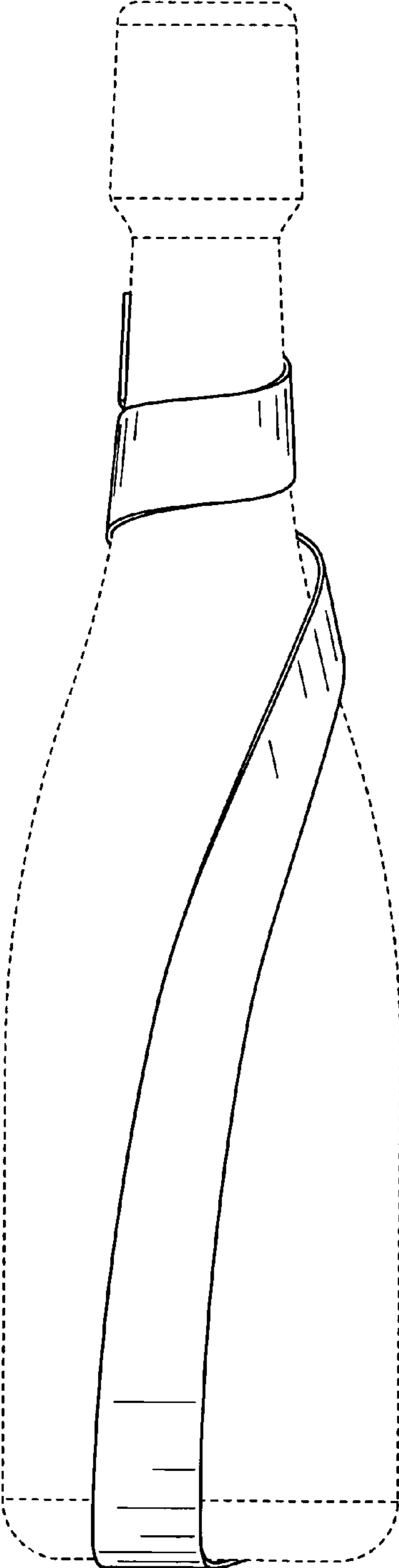


FIG. 4

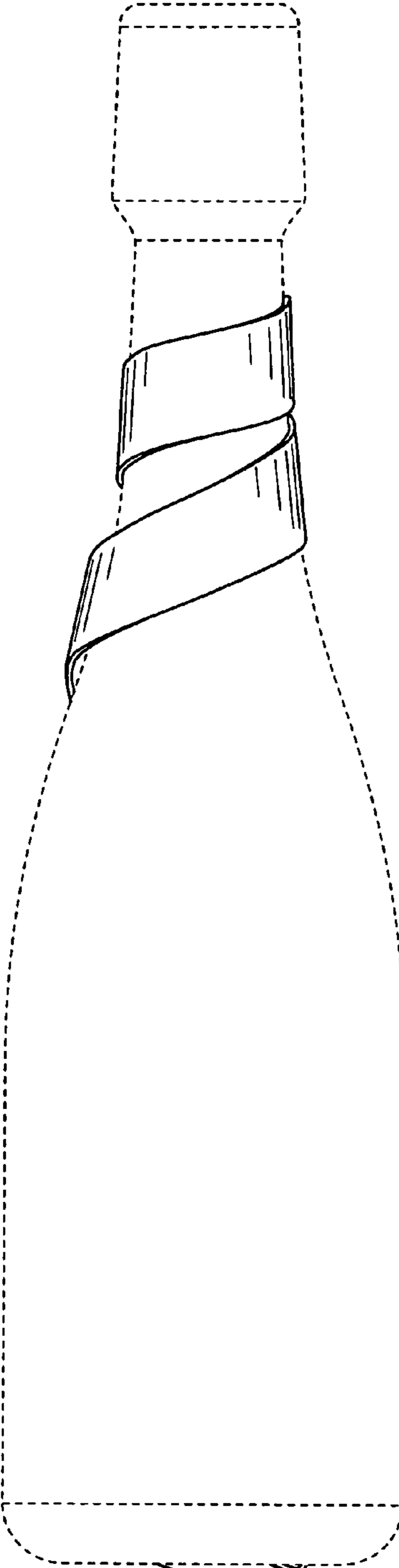


FIG. 5

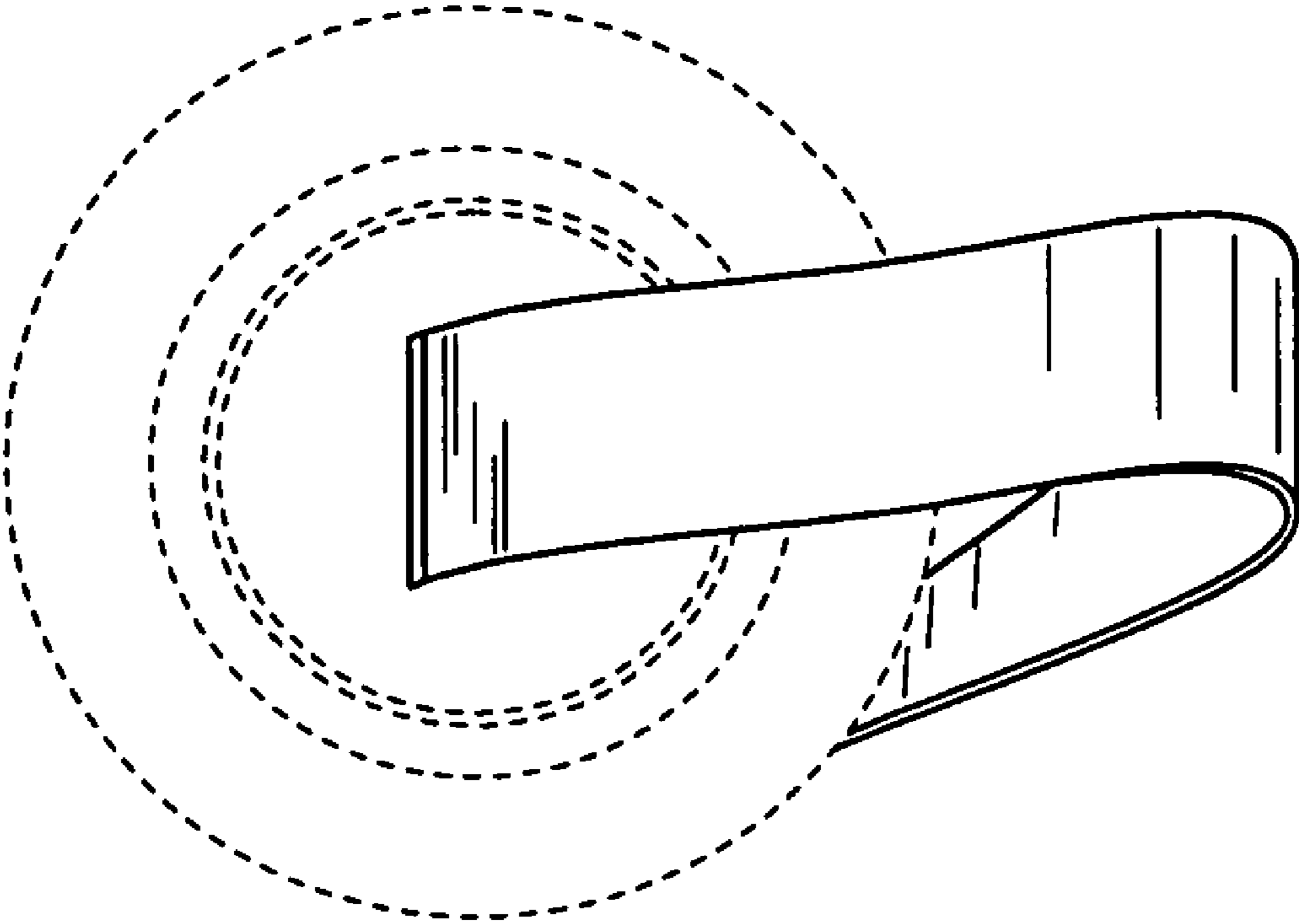


FIG. 6

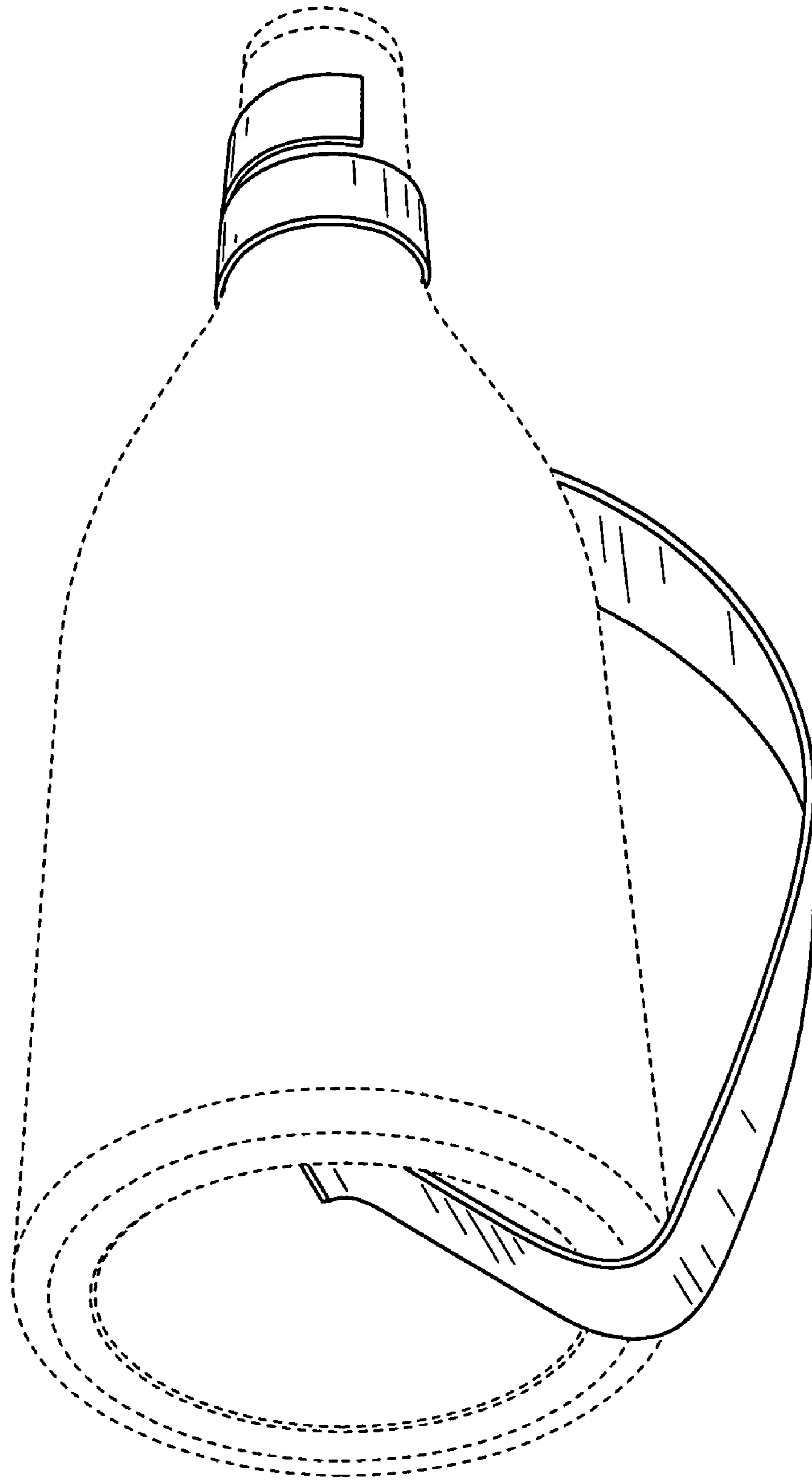


FIG. 7

UNITED STATES PATENT AND TRADEMARK OFFICE
CERTIFICATE OF CORRECTION

PATENT NO. : D635,407 S
APPLICATION NO. : 29/370364
DATED : April 5, 2011
INVENTOR(S) : Julien Ceder

Page 1 of 1

It is certified that error appears in the above-identified patent and that said Letters Patent is hereby corrected as shown below:

Title page, item 30 should read as follows:

(30) Foreign Application Priority Data

Jan 7, 2010 (EM)001654757-0001

Signed and Sealed this
Twenty-fourth Day of May, 2011

A handwritten signature in black ink that reads "David J. Kappos". The signature is written in a cursive, slightly slanted style.

David J. Kappos
Director of the United States Patent and Trademark Office