



US00D635402S

(12) **United States Design Patent**  
**Shah**

(10) **Patent No.:** **US D635,402 S**

(45) **Date of Patent:** **\*\* Apr. 5, 2011**

(54) **CASSEROLE**

(75) Inventor: **Haresh Shah**, Mumbai (IN)

(73) Assignee: **Tokyo Plast International Ltd.**, Vile Parle (East), Mumbai (IN)

(\*\*) Term: **14 Years**

(21) Appl. No.: **29/356,395**

(22) Filed: **Feb. 25, 2010**

(30) **Foreign Application Priority Data**

Nov. 25, 2009 (IN) ..... 225911

(51) **LOC (9) Cl.** ..... **07-01**

(52) **U.S. Cl.** ..... **D7/538; D7/542; D7/545; D7/543**

(58) **Field of Classification Search** ..... D7/550.1,  
D7/551.1, 552.2, 553.1, 553.3, 553.8, 554.2,  
D7/555, 505, 538, 540, 629, 545, 586, 549,  
D7/553, 601, 602, 612, 615, 542, 507, 584,  
D7/314, 357, 553.2, 553.7, 554.3, 554.4,  
D7/587, 553.6, 543; D9/429, 424, 431;  
220/780-782, 4.24, 783-806, 574, 671, 212,  
220/796; 108/26, 44; 229/406; D21/483;  
D28/77; D3/901; D11/156; 219/386; 99/426,  
99/343, 428

See application file for complete search history.

(56) **References Cited**

**U.S. PATENT DOCUMENTS**

D48,169 S \* 11/1915 Churchill ..... D7/545  
D170,289 S \* 8/1953 Skipp ..... D7/507  
D185,064 S \* 5/1959 Clark, Jr. .... D7/542  
D190,962 S \* 7/1961 Quistgaard ..... D7/542  
D206,452 S \* 12/1966 Latham ..... D7/542

D207,594 S \* 5/1967 Aubecq ..... D7/542  
D228,114 S \* 8/1973 De la Rosa ..... D7/542  
D268,557 S \* 4/1983 Jensen et al. .... D7/545  
D431,420 S \* 10/2000 Susta ..... D7/545  
D470,714 S \* 2/2003 Kloppsteck ..... D7/360  
D476,851 S \* 7/2003 Wuestman ..... D7/542  
D477,970 S \* 8/2003 Thonis ..... D7/542  
D484,745 S \* 1/2004 Watson ..... D7/545  
D511,938 S \* 11/2005 Watson ..... D7/542  
D524,604 S \* 7/2006 Vendl et al. .... D7/545  
D535,856 S \* 1/2007 Kell ..... D7/538  
D557,551 S \* 12/2007 Tetreault et al. .... D7/354  
D572,978 S \* 7/2008 Bizzell ..... D7/543  
D590,663 S \* 4/2009 Simon et al. .... D7/545  
D592,444 S \* 5/2009 Tetreault ..... D7/352  
D594,704 S \* 6/2009 Loaiza ..... D7/542  
D606,176 S \* 12/2009 Urquiola ..... D23/293.1  
D607,280 S \* 1/2010 Kellermann et al. .... D7/548  
D607,689 S \* 1/2010 Hart et al. .... D7/360  
D608,149 S \* 1/2010 Kellermann et al. .... D7/548

\* cited by examiner

*Primary Examiner* — Cynthia Underwood

(74) *Attorney, Agent, or Firm* — Notaro, Michalos & Zaccaria P.C.

(57) **CLAIM**

The ornamental design for a casserole, as shown and described.

**DESCRIPTION**

FIG. 1 is a top, front, side perspective view of a casserole showing my new design therefor;

FIG. 2 is a bottom, rear, side perspective view thereof;

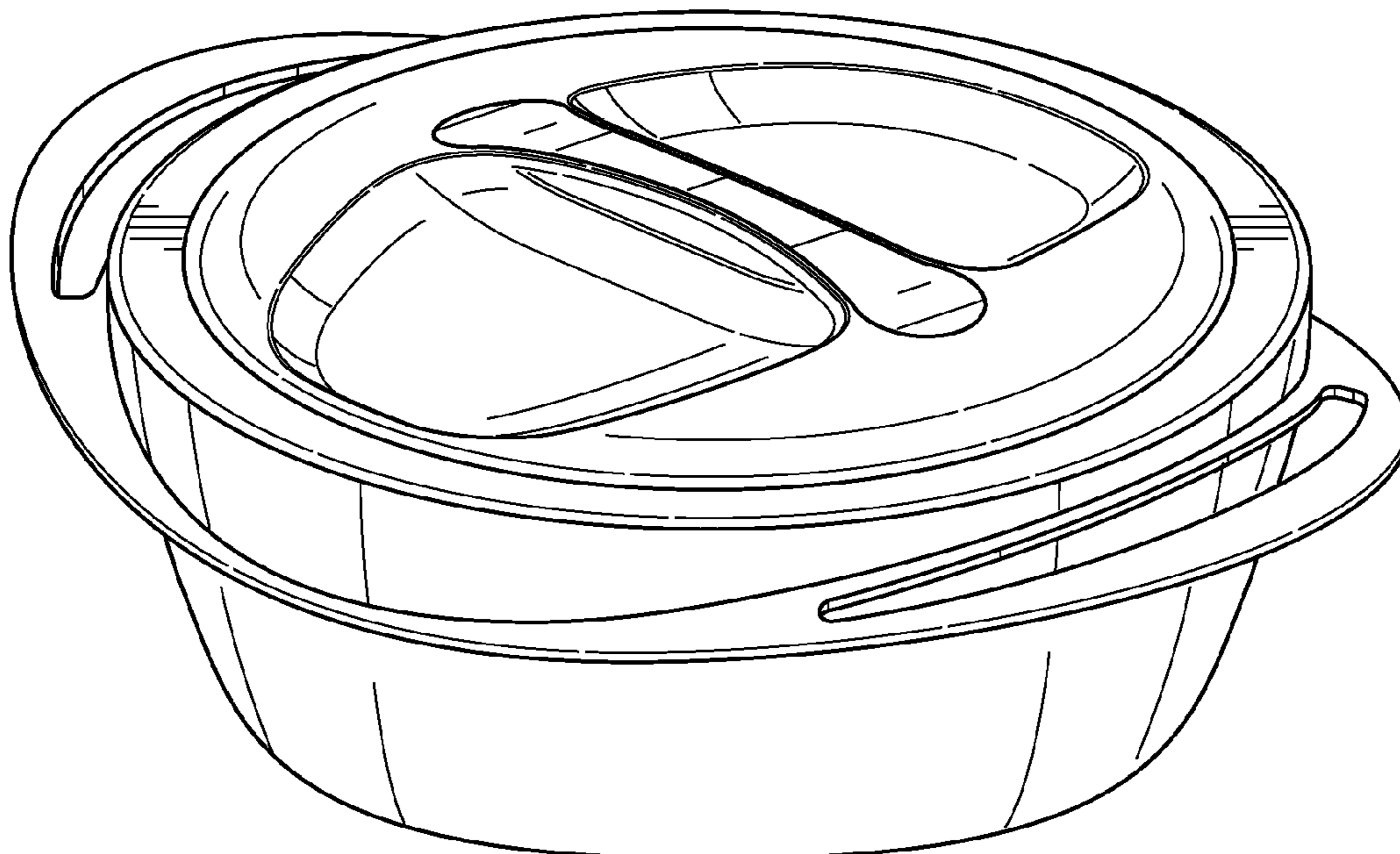
FIG. 3 is a front elevational view thereof;

FIG. 4 is a side elevational view thereof;

FIG. 5 is a top plan view thereof; and,

FIG. 6 is a bottom plan view thereof.

**1 Claim, 6 Drawing Sheets**



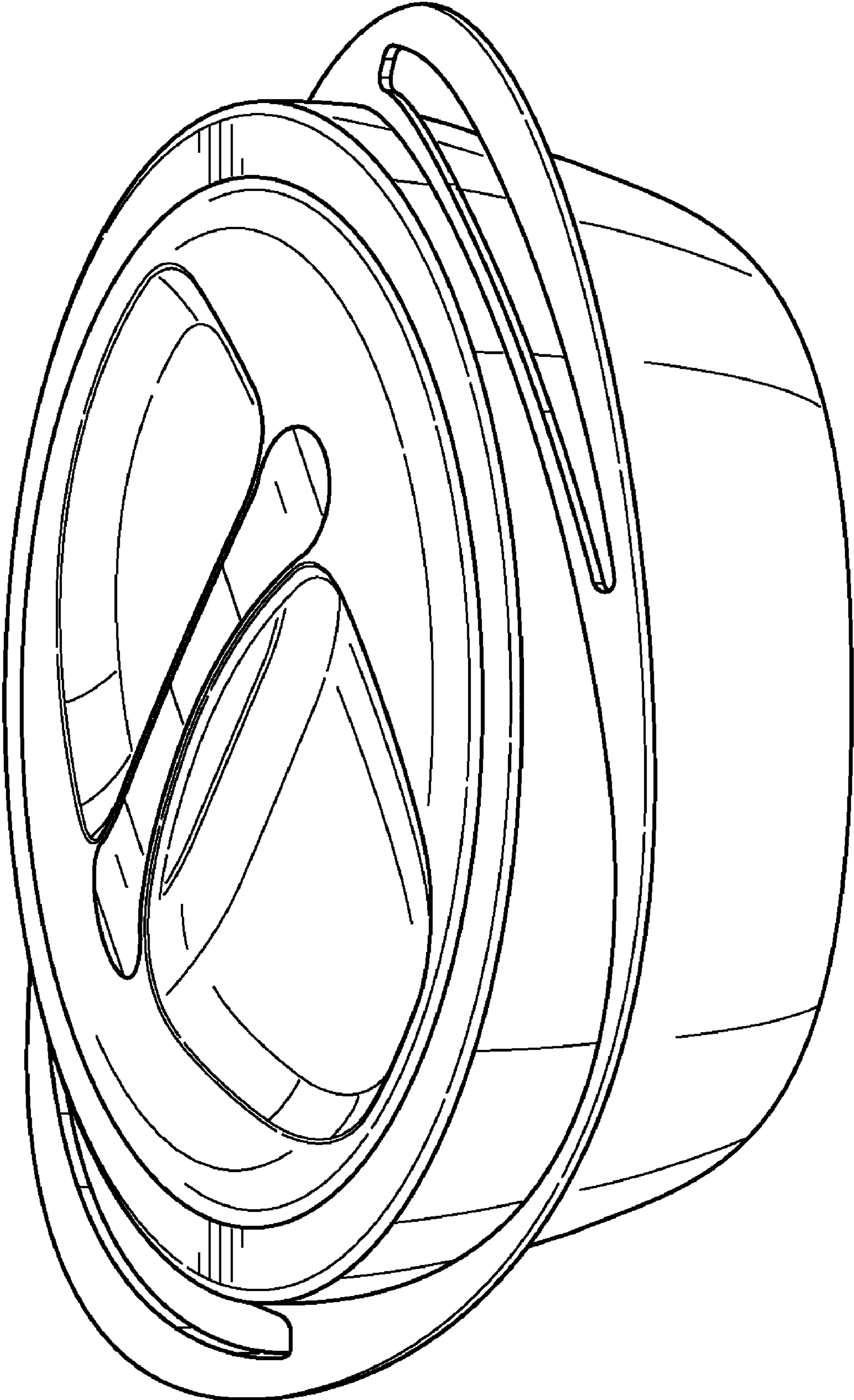


FIG. 1

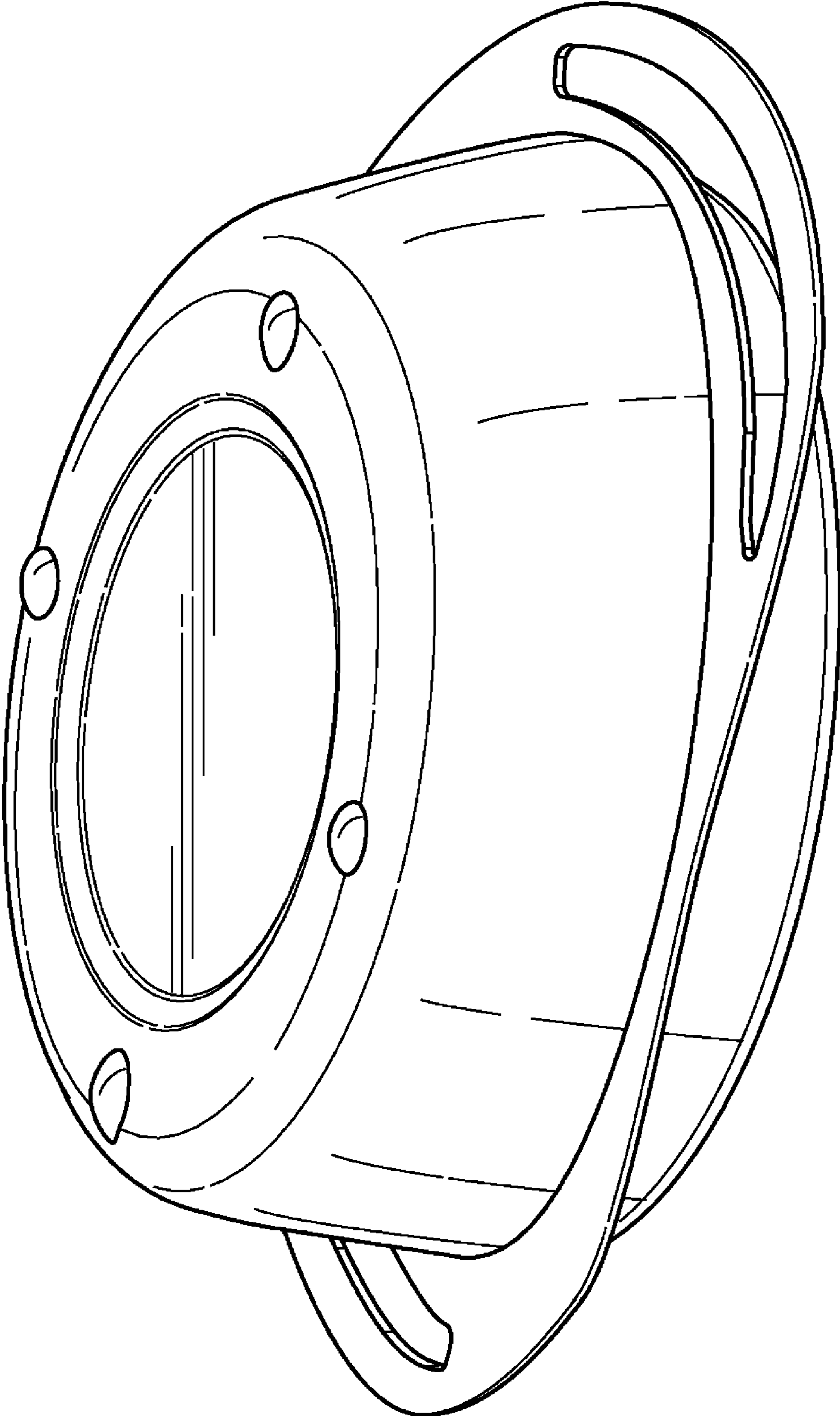


FIG. 2

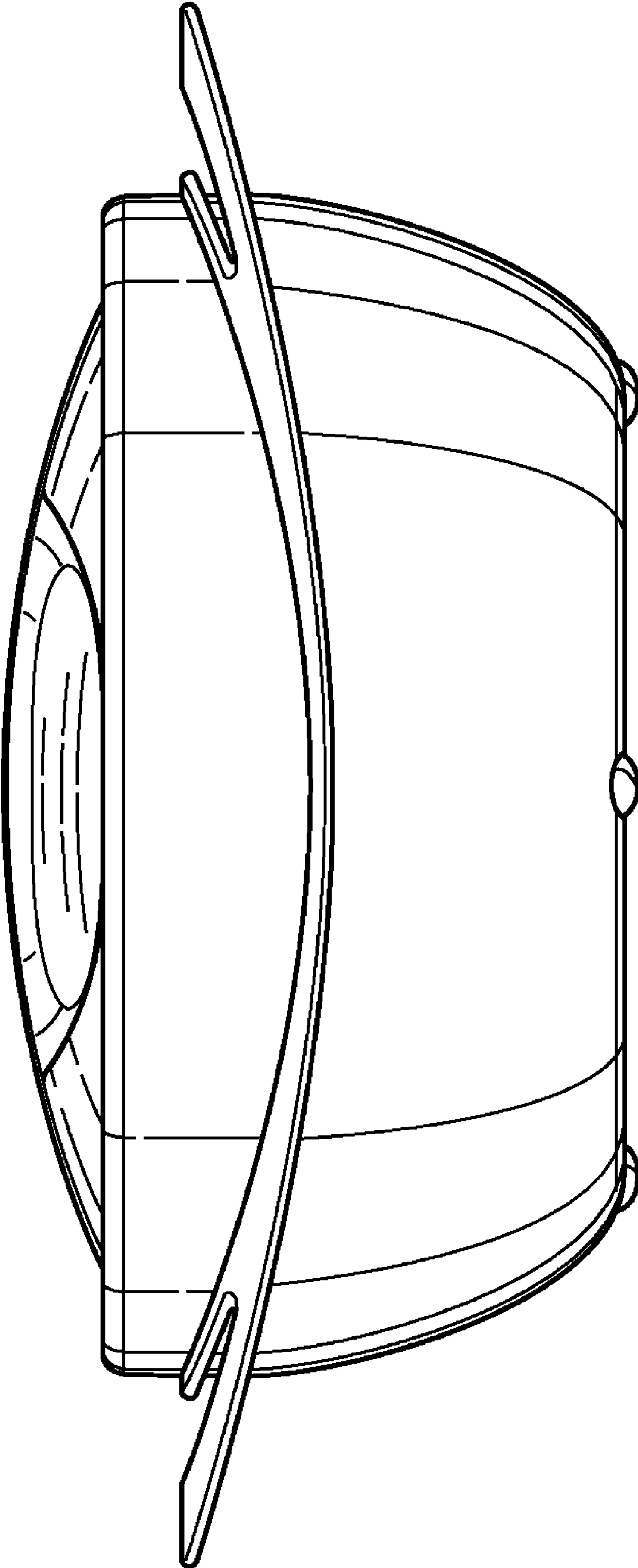


FIG. 3

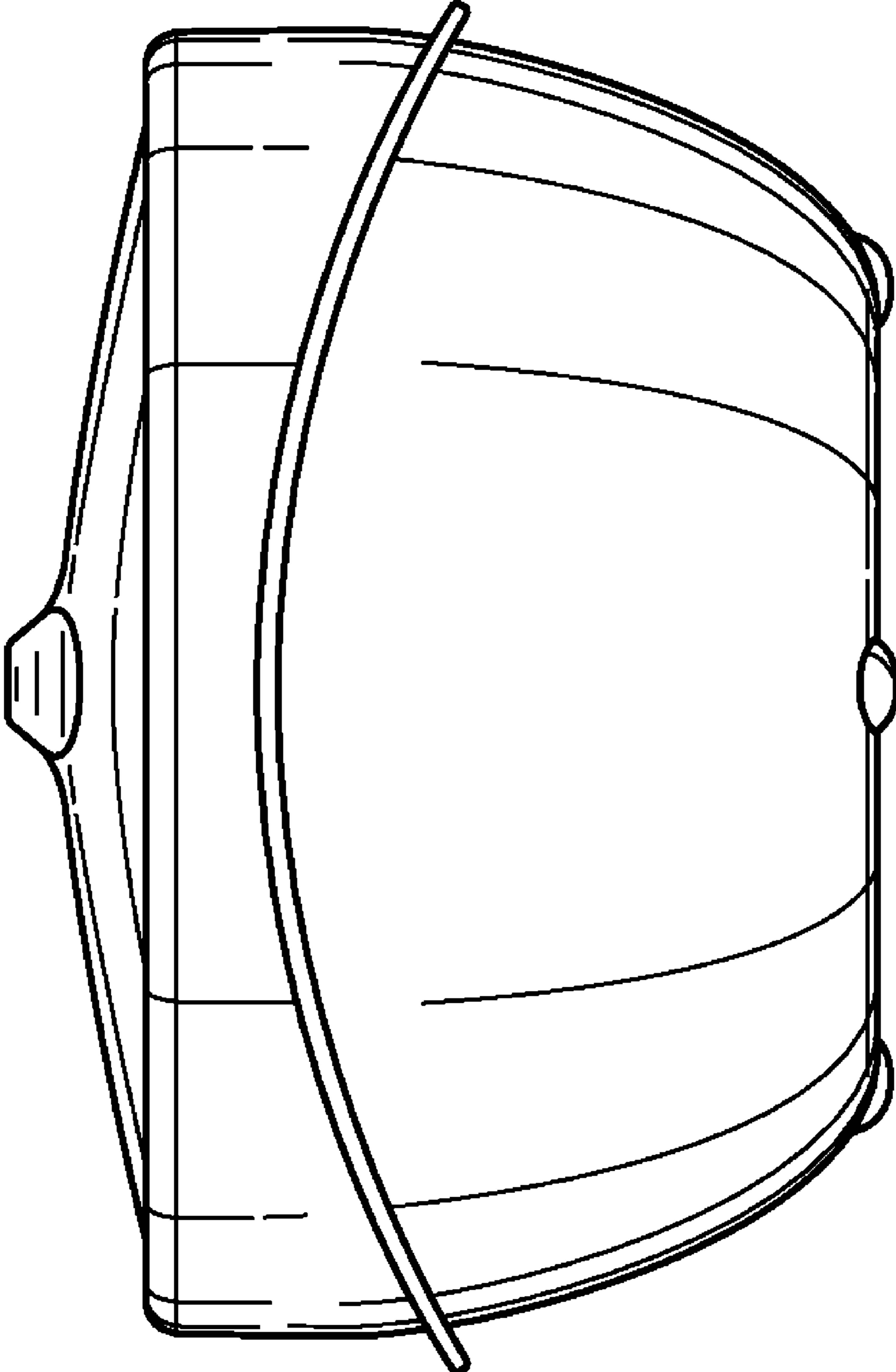


FIG. 4

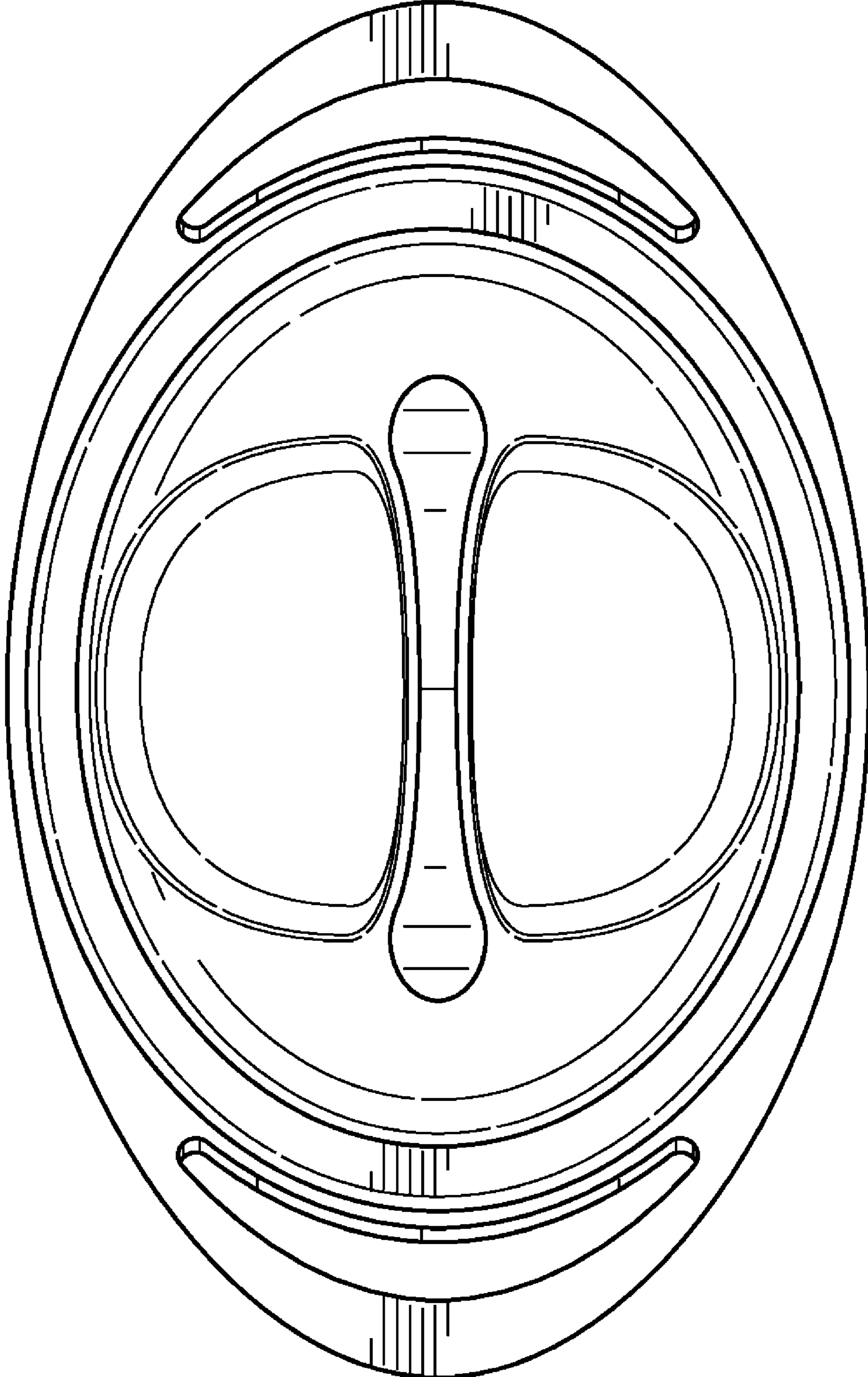


FIG. 5

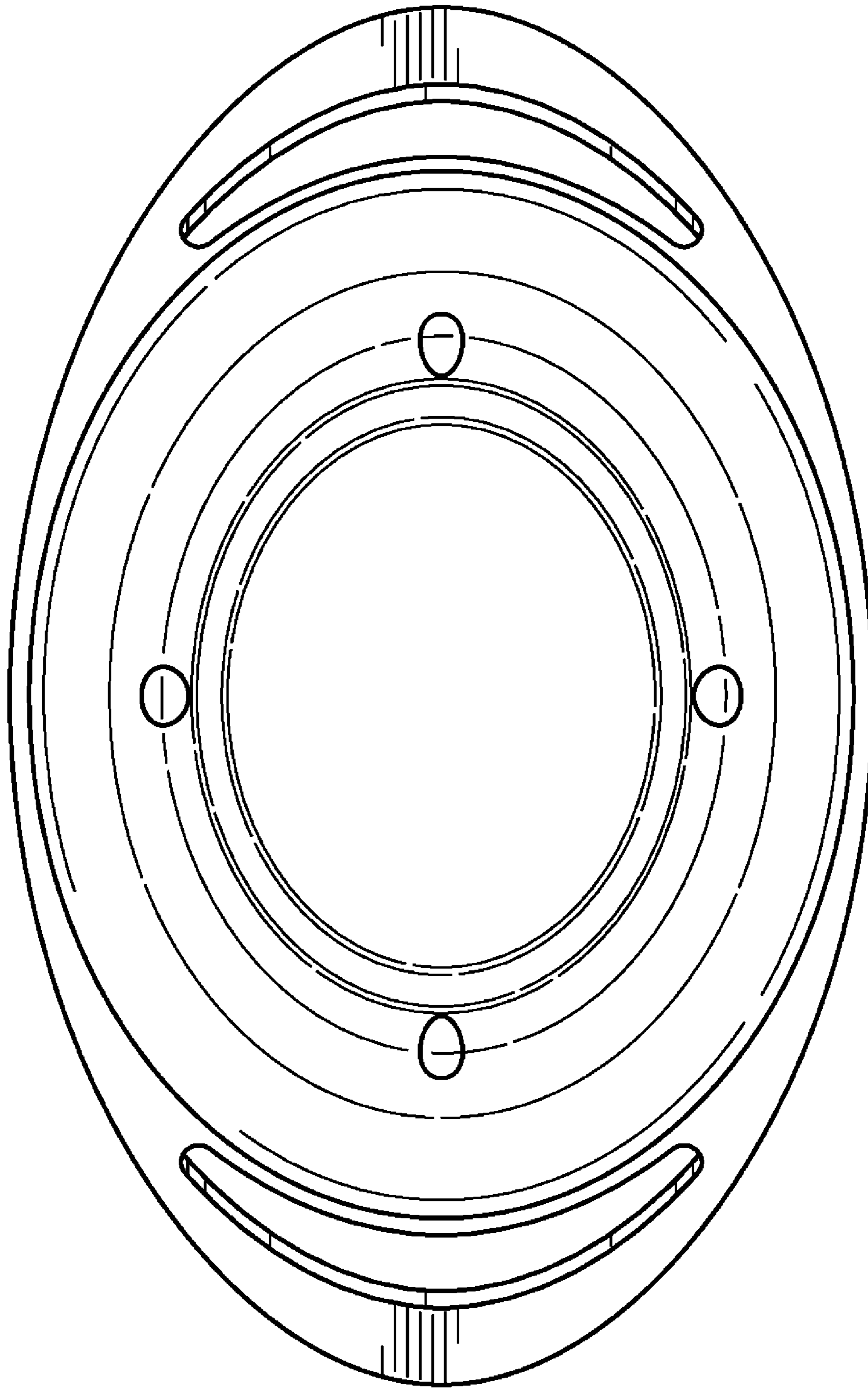


FIG. 6