



US00D635400S

(12) **United States Design Patent**
Snyder

(10) **Patent No.:** **US D635,400 S**

(45) **Date of Patent:** **** Apr. 5, 2011**

(54) **BEER MUG**

(76) Inventor: **Robert George Snyder**, Woodstock, GA
(US)

(**) Term: **14 Years**

(21) Appl. No.: **29/370,548**

(22) Filed: **Aug. 5, 2010**

(51) **LOC (9) Cl.** **07-01**

(52) **U.S. Cl.** **D7/536; D7/533**

(58) **Field of Classification Search** D7/536,
D7/533, 509; 220/758, 710.5, 740; 215/398,
215/376

See application file for complete search history.

(56) **References Cited**

U.S. PATENT DOCUMENTS

4,040,549	A *	8/1977	Sadler	224/483
4,127,211	A *	11/1978	Zerbey	220/212
D258,188	S *	2/1981	Wilson	D7/507
5,029,700	A *	7/1991	Chen	206/217
5,199,633	A *	4/1993	Jantzen et al.	229/103.1
5,400,907	A *	3/1995	Chen	206/459.1
D376,728	S *	12/1996	Richards et al.	D7/507

D405,317	S *	2/1999	Ehrlich	D7/515
D475,577	S *	6/2003	Kung	D7/507
D497,079	S *	10/2004	Paggio	D7/507
D530,852	S *	10/2006	Zheng	D27/148
7,185,782	B2 *	3/2007	Vilchez et al.	220/506
D583,110	S *	12/2008	Nylen	D30/125
D616,248	S *	5/2010	George	D7/510

* cited by examiner

Primary Examiner — Marianne Pandozzi

(74) *Attorney, Agent, or Firm* — Rodgers & Rodgers

(57) **CLAIM**

The ornamental design for a beer mug, as shown and described.

DESCRIPTION

FIG. 1 is a perspective view of a beer mug showing my new design;

FIG. 2 is a left-side elevational view thereof;

FIG. 3 is a right-side elevational view thereof;

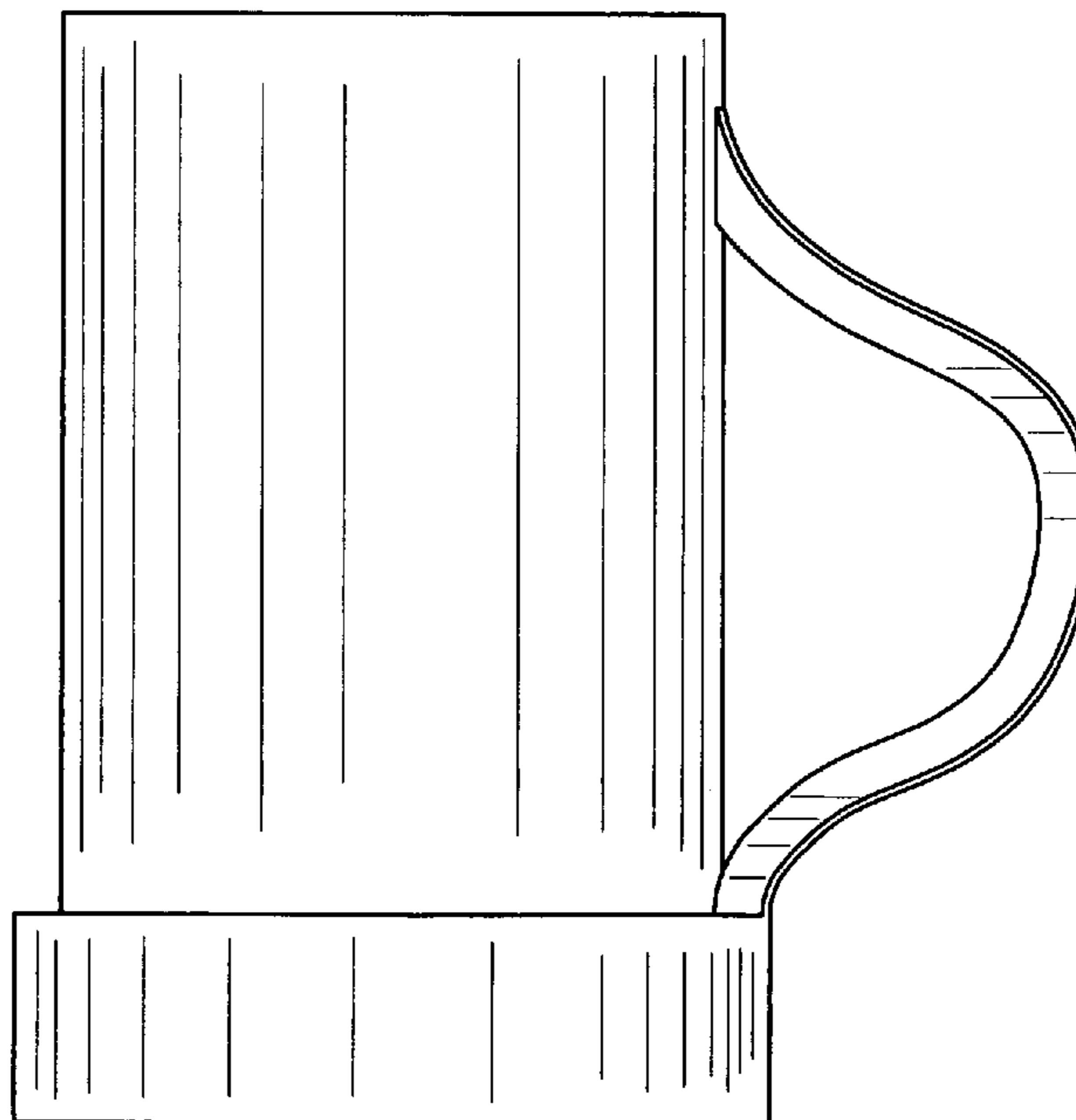
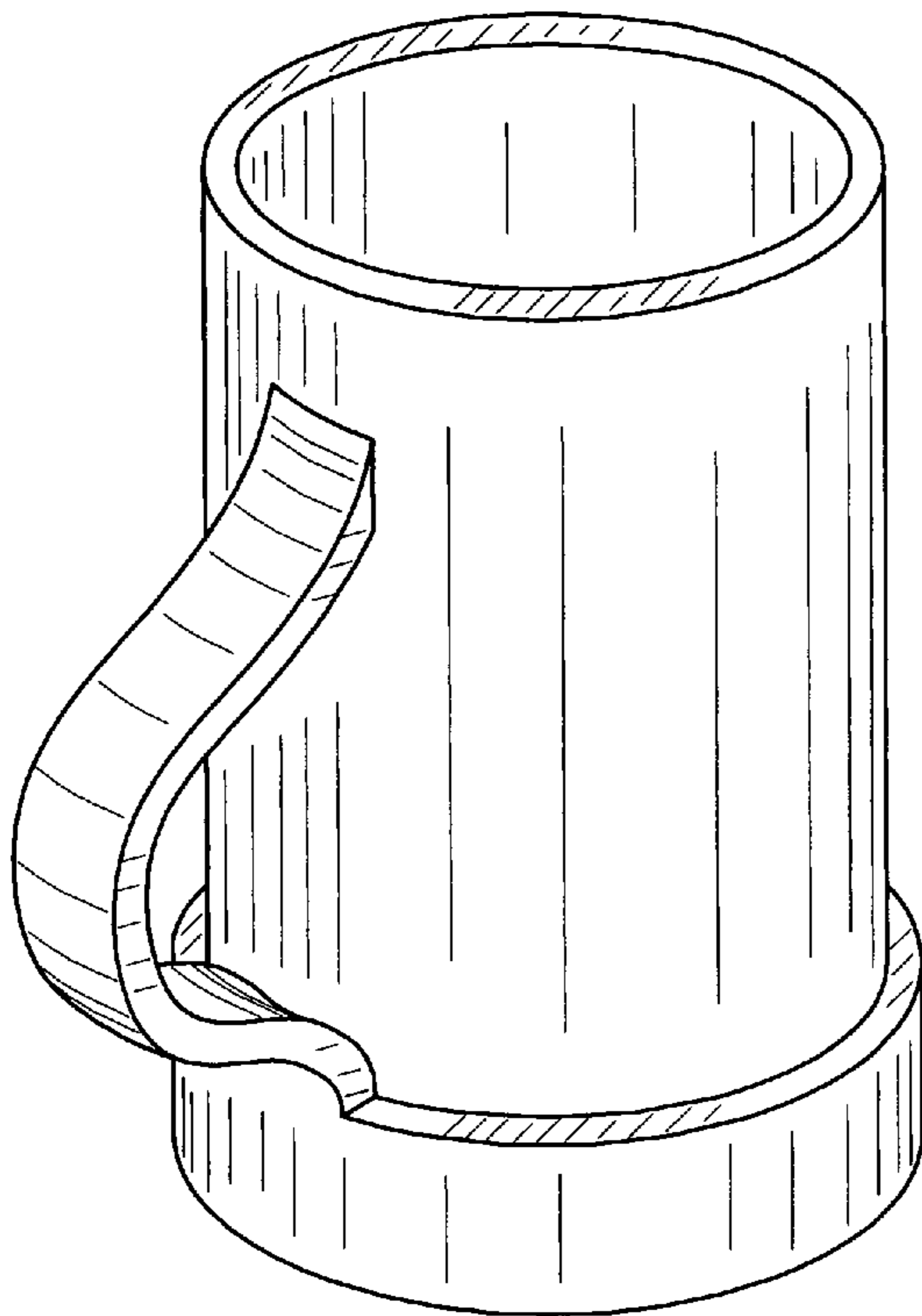
FIG. 4 is a front elevational view thereof;

FIG. 5 is a rear elevational view thereof;

FIG. 6 is a top plan view thereof; and,

FIG. 7 is a bottom plan view thereof.

1 Claim, 4 Drawing Sheets



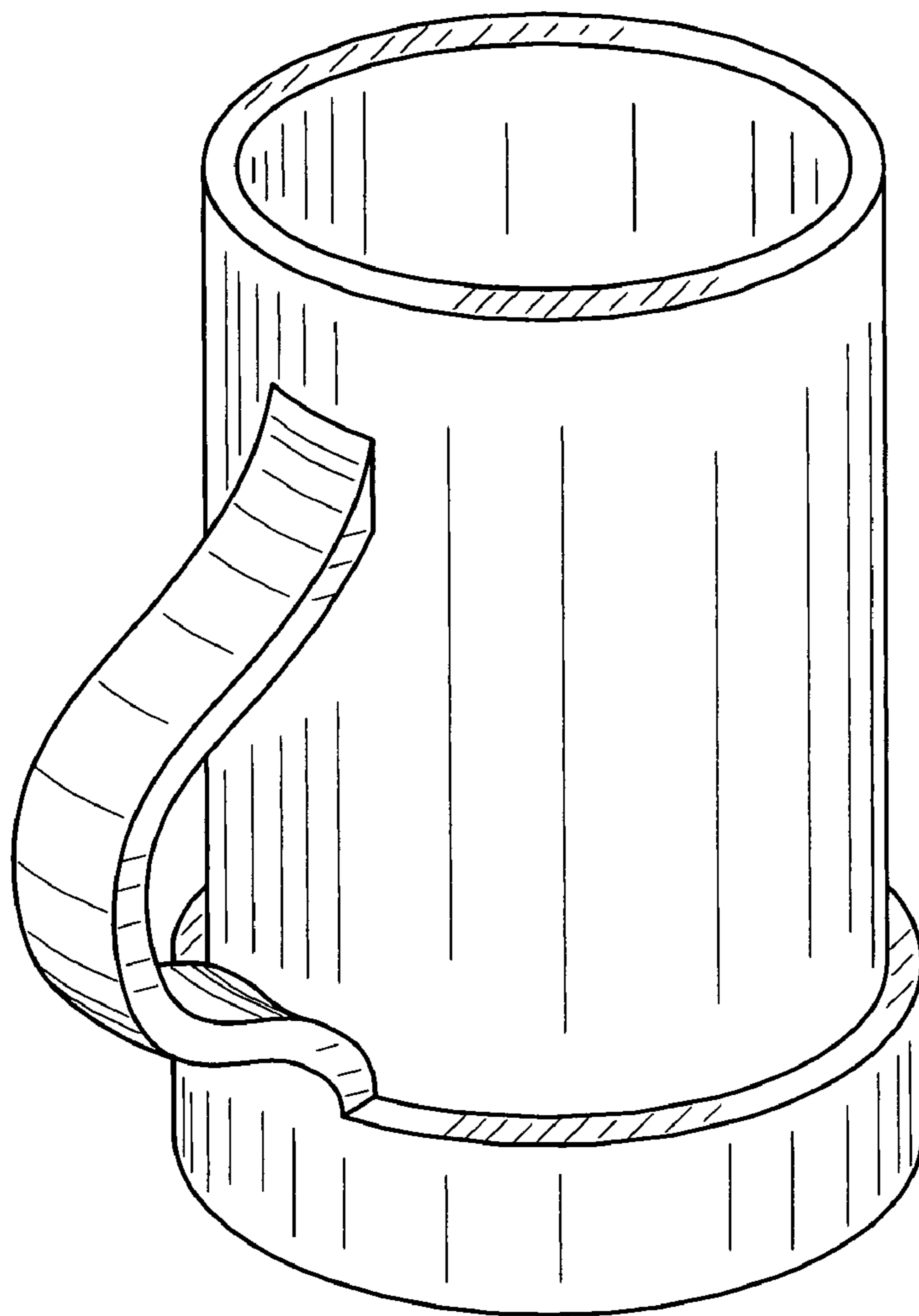


Fig. 1

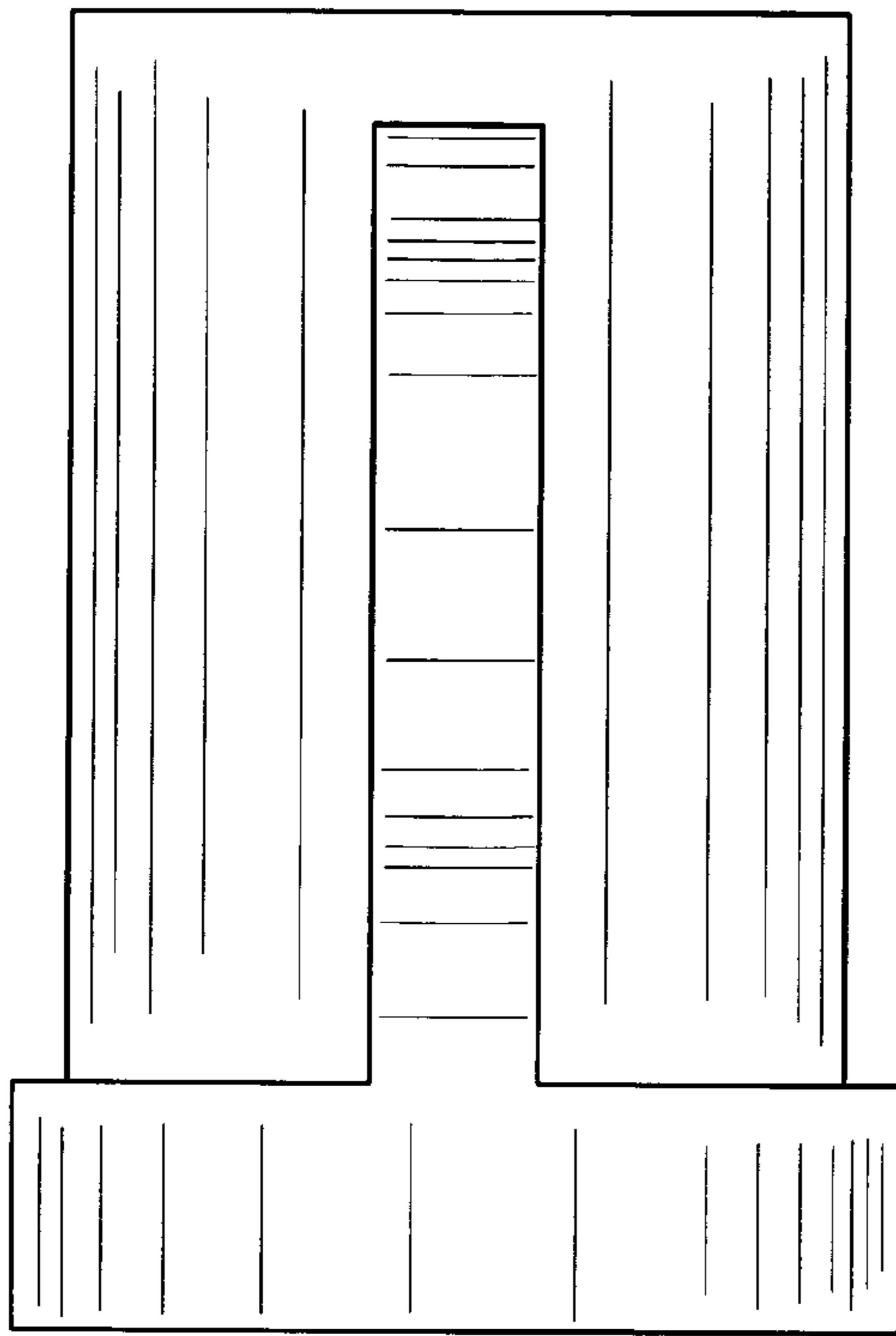


Fig. 2

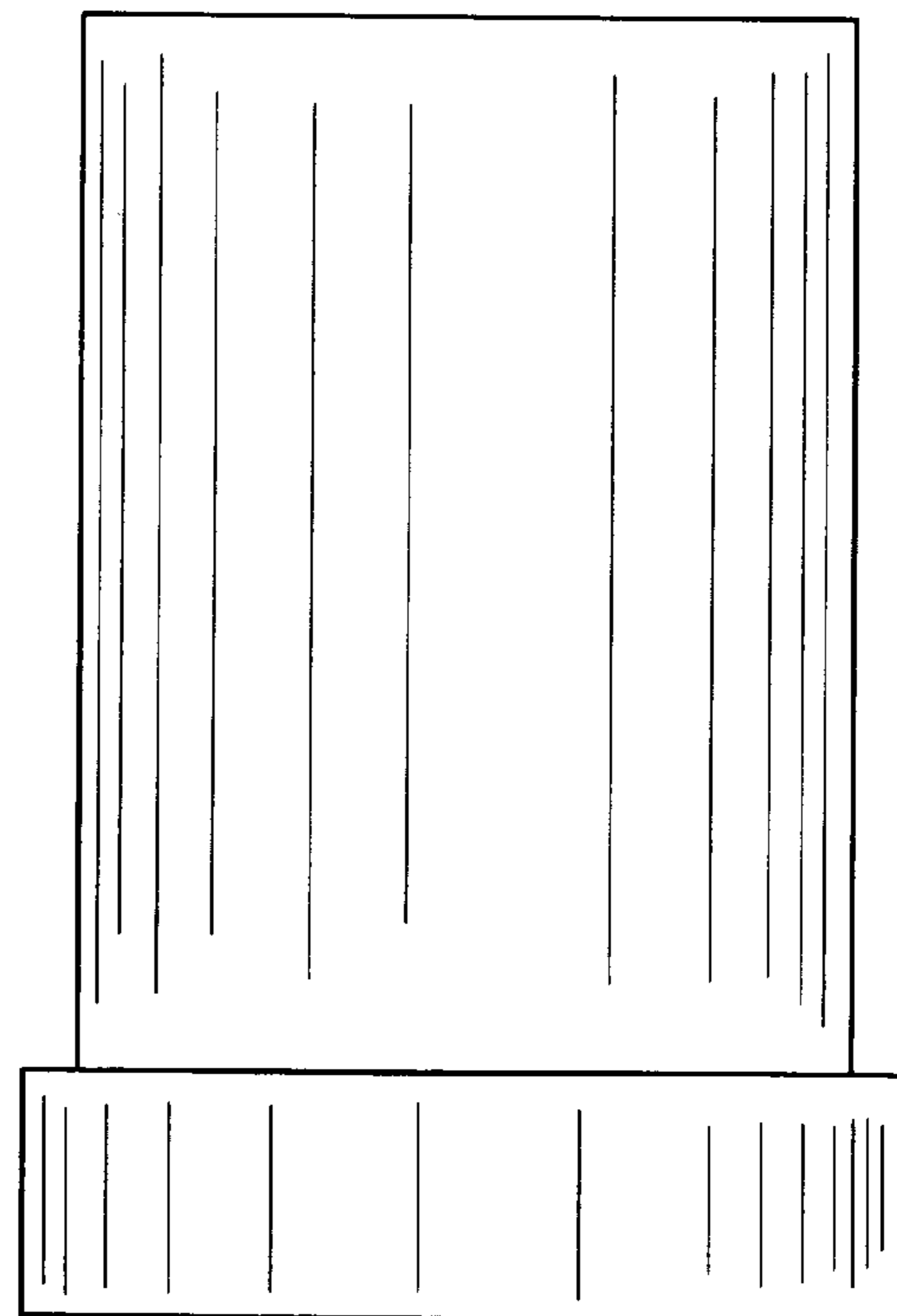


Fig. 3

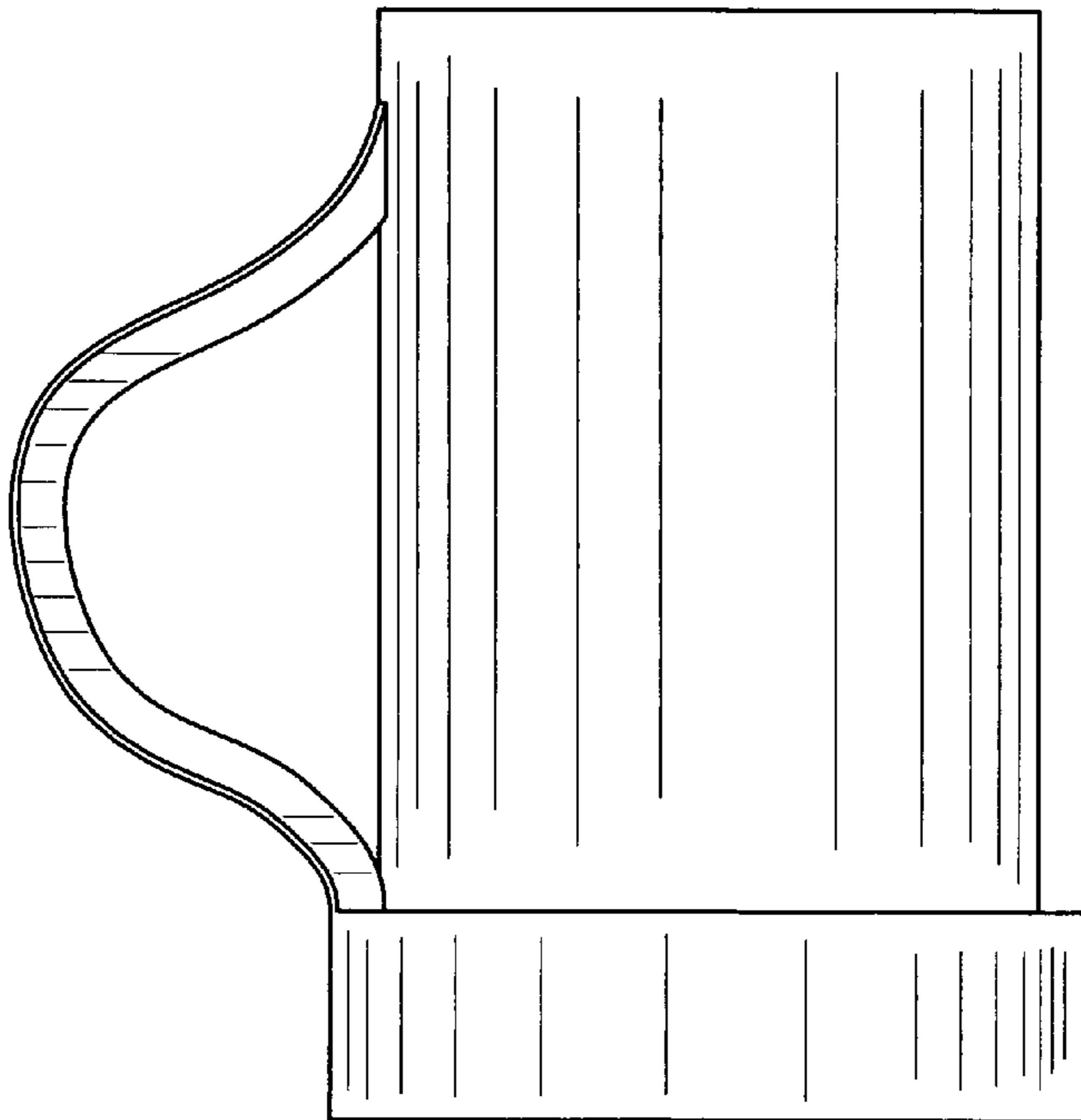


Fig. 4

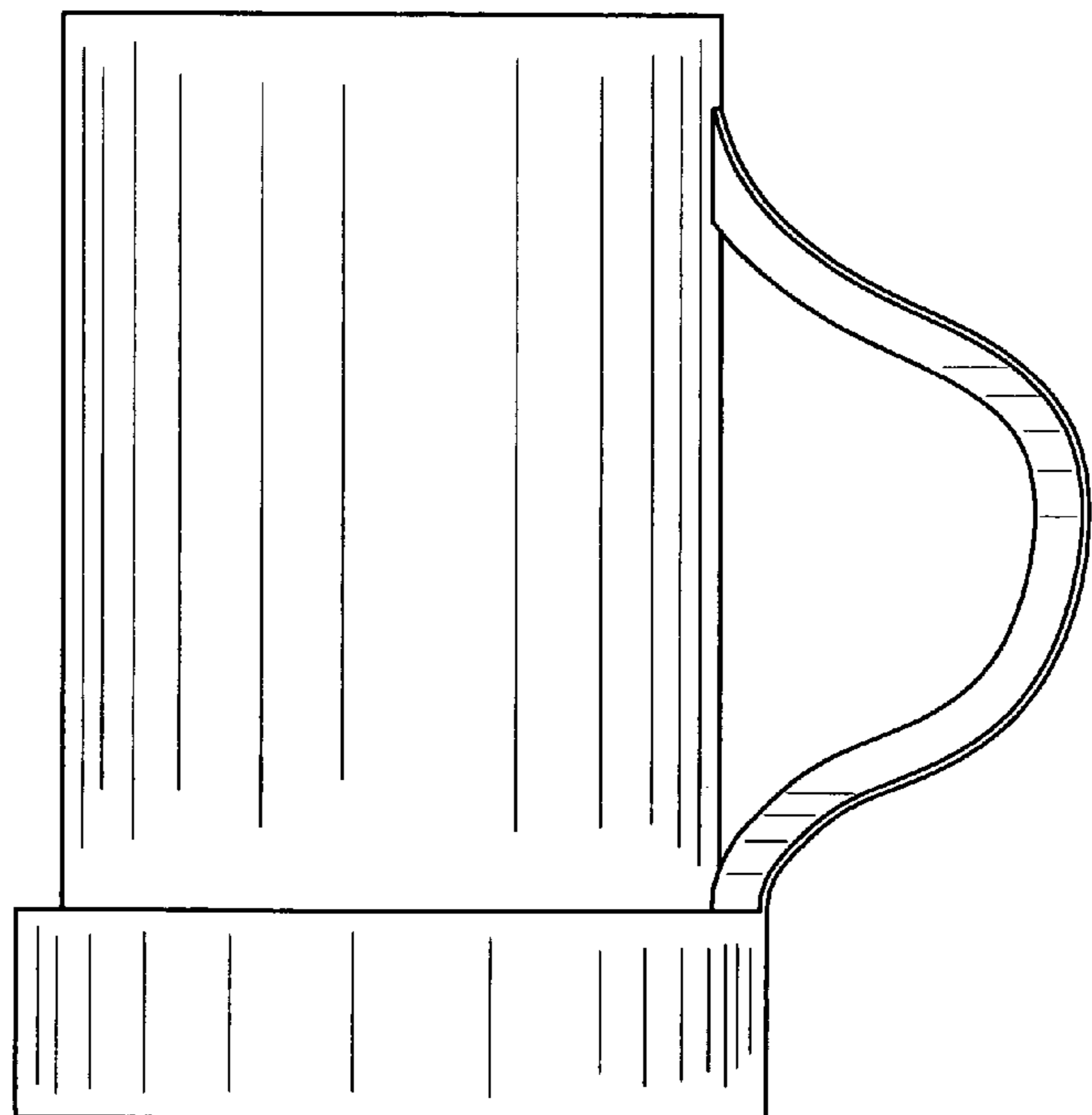


Fig. 5

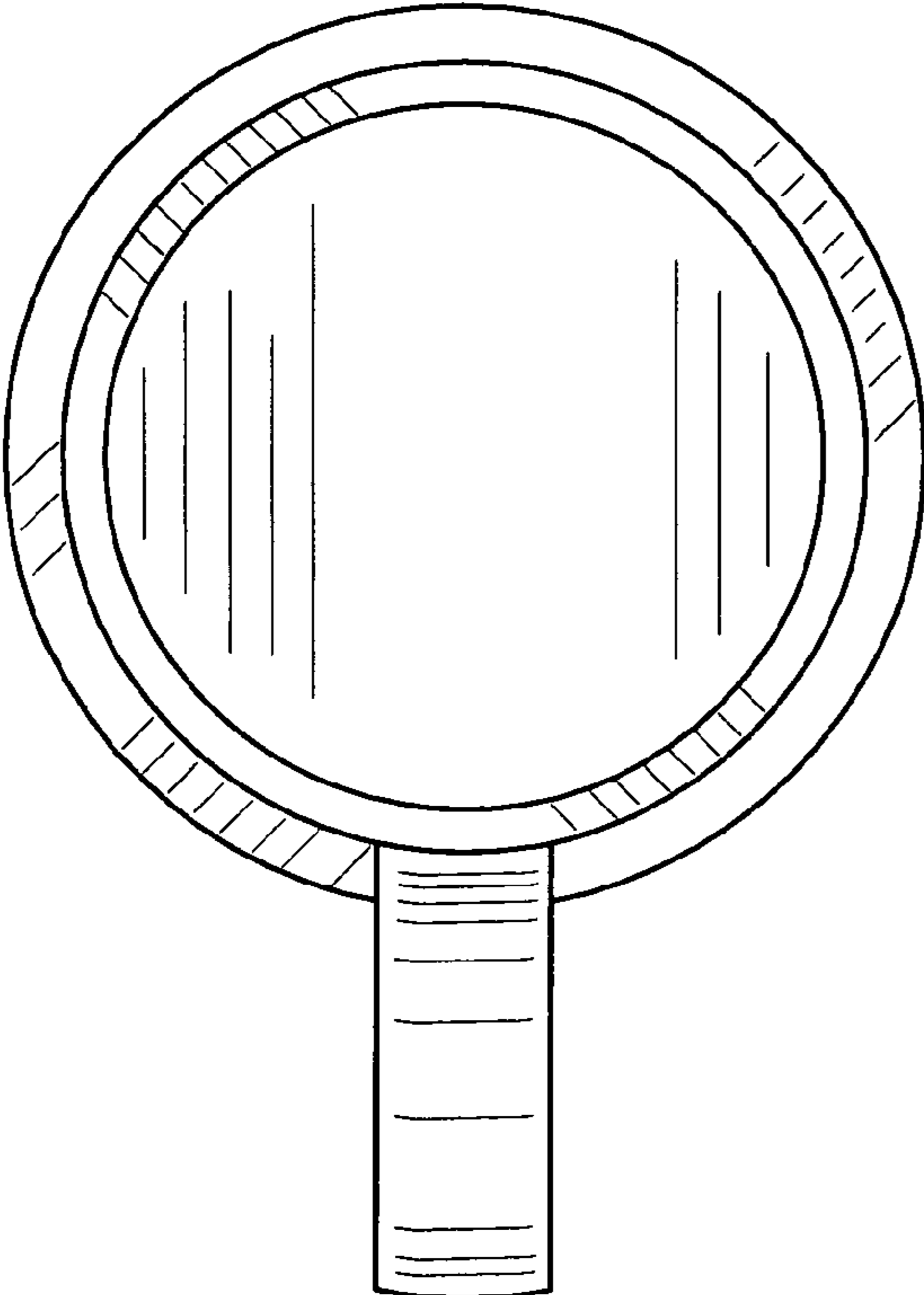


Fig. 6

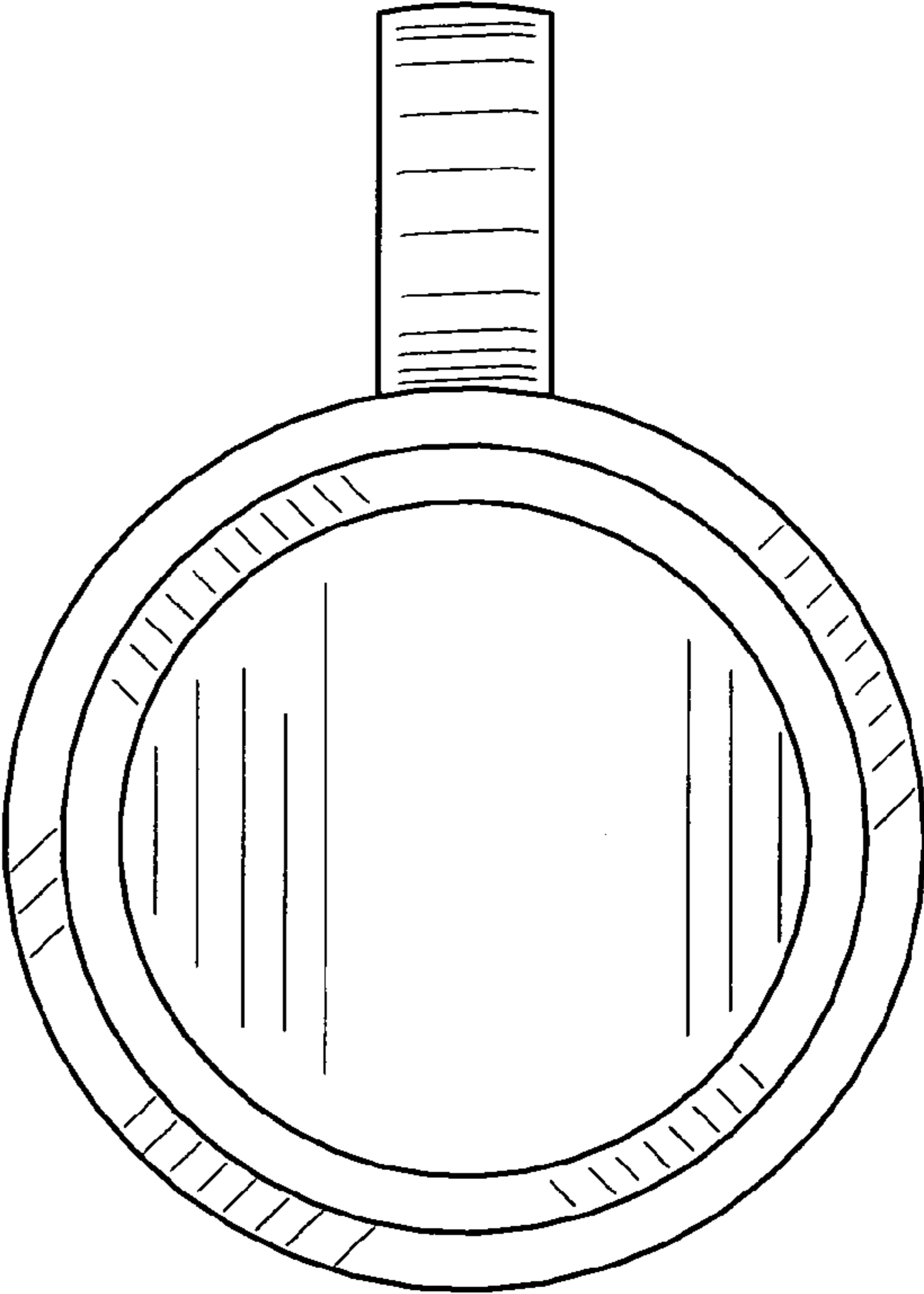


Fig. 7