



US00D635399S

(12) **United States Design Patent**
DelVecchio

(10) **Patent No.:** **US D635,399 S**

(45) **Date of Patent:** **** Apr. 5, 2011**

(54) **CHILD'S DRINKING CUP WITH TILTED FLOOR**

(76) Inventor: **Jacqueline DelVecchio**, East Hanover, NJ (US)

(**) Term: **14 Years**

(21) Appl. No.: **29/379,787**

(22) Filed: **Nov. 24, 2010**

Related U.S. Application Data

(62) Division of application No. 29/344,545, filed on Sep. 30, 2009, now Pat. No. Des. 630,060.

(51) **LOC (9) Cl.** **07-01**

(52) **U.S. Cl.** **D7/523; D7/509**

(58) **Field of Classification Search** D7/509-523,
D7/507; 220/713, 703, 739; 229/403, 400,
229/4.5

See application file for complete search history.

(56) **References Cited**

U.S. PATENT DOCUMENTS

2,017,810	A *	10/1935	Bodor et al.	229/4.5
2,150,207	A *	3/1939	Currie	229/201
D155,304	S *	9/1949	McKay	D7/534
2,601,767	A	7/1952	Wall	
2,663,450	A	12/1953	Bourcart	
2,969,901	A *	1/1961	Behrens	229/400
2,988,967	A *	6/1961	Dudnick et al.	493/88
3,182,882	A *	5/1965	Aellen, Jr. et al.	229/4.5
3,268,143	A *	8/1966	Bolcato	229/400
3,409,167	A *	11/1968	Blanchard	220/609
3,468,467	A *	9/1969	Amberg	229/403
3,471,055	A *	10/1969	Edwards	206/520
D233,972	S *	12/1974	Juhlin	D7/511
3,920,146	A	11/1975	Baller	
3,940,012	A	2/1976	Addington	
4,073,192	A	2/1978	Townsend	
4,074,849	A *	2/1978	Davidsson et al.	229/402
4,096,966	A *	6/1978	Korshak	220/603
4,478,346	A	10/1984	Spong	
4,850,496	A	7/1989	Rudell et al.	

D306,387	S *	3/1990	Junkman	D7/534
4,936,719	A *	6/1990	Peters	407/42
4,951,839	A	8/1990	Kong	
4,955,503	A *	9/1990	Propes	220/526
5,025,981	A *	6/1991	Schellenberg	229/118
5,040,719	A	8/1991	Ballway	
5,042,258	A	8/1991	Sundhar	
D352,201	S *	11/1994	Spence, Jr.	D7/534

(Continued)

OTHER PUBLICATIONS

Office Action mailed Aug. 18, 2008 for U.S. Appl. No. 11/061,587.

(Continued)

Primary Examiner — Marianne Pandozzi

(74) *Attorney, Agent, or Firm* — Thomas L. Adams

(57) **CLAIM**

The ornamental design for an child's drinking cup with tilted floor, as shown and described.

DESCRIPTION

FIG. 1 is a front elevational view of a child's drinking cup with tilted floor showing my new design, all other side elevational views from the back, right or left being identical;

FIG. 2 is a top plan view thereof;

FIG. 3 is a bottom view thereof;

FIG. 4 is a perspective view thereof;

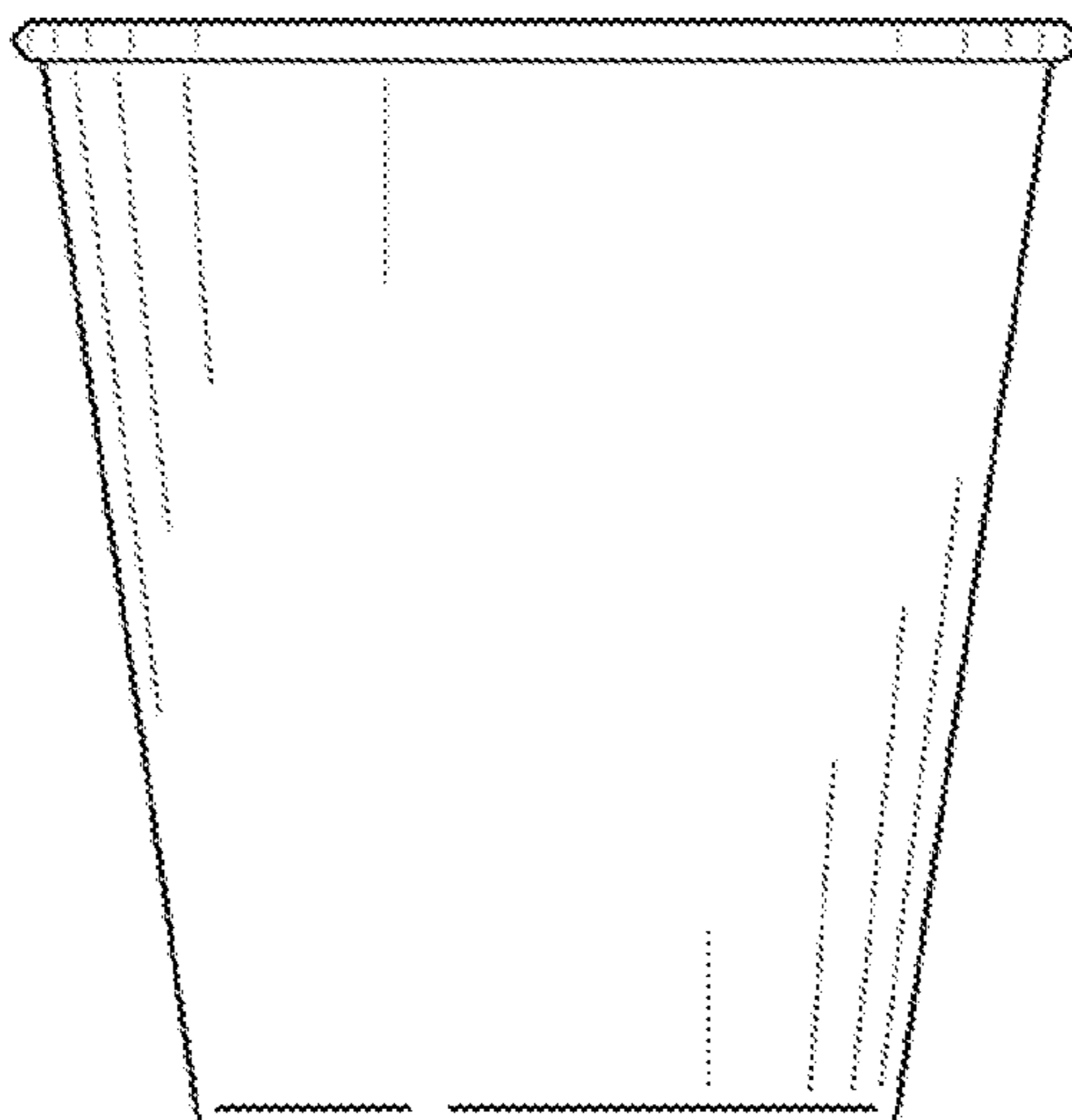
FIG. 5 is a right side elevational view thereof;

FIG. 6 is a top plan view of a second embodiment of a child's drinking cup with tilted floor showing my new design, the bottom and perspective views thereof being the same as that shown in FIGS. 3 and 4, respectively; and,

FIG. 7 is a right side elevational view thereof, all other side elevational views being identical to that of the first embodiment.

The broken line showing of the tilt of the inside floor is included for the purpose of illustrating the difference between the two embodiments.

1 Claim, 2 Drawing Sheets



US D635,399 S

Page 2

U.S. PATENT DOCUMENTS

D366,988 S * 2/1996 Nowak D7/534
5,544,808 A * 8/1996 Aloisi et al. 229/400
5,705,209 A 1/1998 Wright et al.
6,010,062 A * 1/2000 Shimono 229/400
6,116,448 A 9/2000 Fragos
D439,472 S * 3/2001 Wang D7/509
6,206,229 B1 * 3/2001 Harjes 220/669
D449,961 S * 11/2001 Miura D7/507
6,467,641 B1 10/2002 Minogue
6,562,270 B1 * 5/2003 Gannon et al. 264/239
6,688,135 B1 2/2004 Mattia et al.
D517,370 S * 3/2006 Kingsley D7/532
D519,321 S * 4/2006 Sands D7/523
D545,132 S * 6/2007 Bhavnani D7/536
D548,526 S * 8/2007 Huffman et al. D7/523

D552,930 S * 10/2007 Huffman et al. D7/523
7,311,243 B1 * 12/2007 Konzal 229/400
D567,590 S * 4/2008 Bodum D7/536
D587,528 S * 3/2009 Trombly D7/536
7,552,841 B2 * 6/2009 Hollis et al. 220/703
D597,795 S * 8/2009 Ford D7/624.2
D611,301 S * 3/2010 Amano D7/509
D613,997 S * 4/2010 Kingsley D7/536
7,694,843 B2 * 4/2010 Hollis et al. 220/703
D617,608 S * 6/2010 Yang et al. D7/523
2002/0170917 A1 11/2002 Gallo, Jr.

OTHER PUBLICATIONS

Office Action mailed Feb. 26, 2009 for U.S. Appl. No. 11/061,587.

* cited by examiner

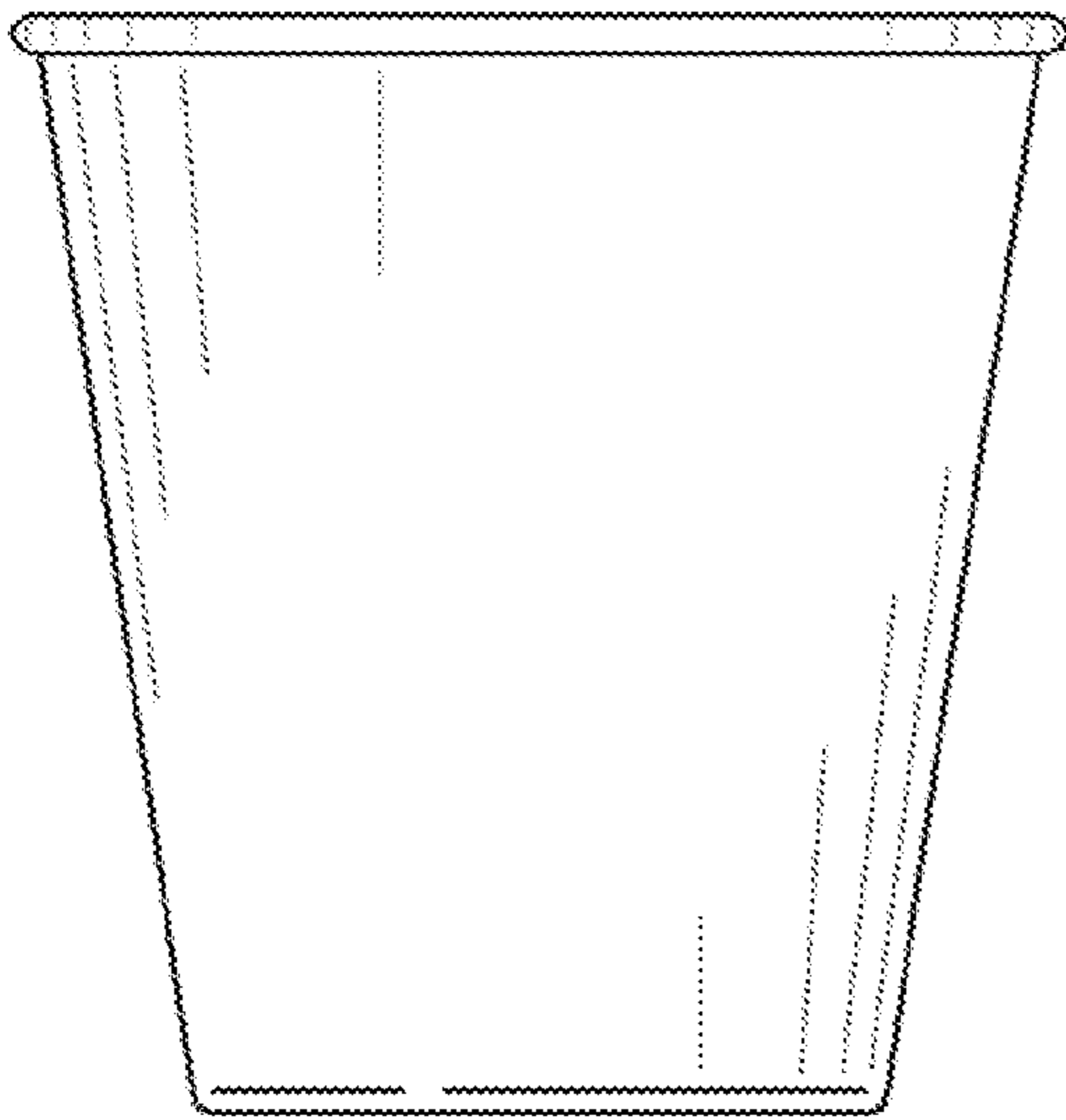


FIG. 1

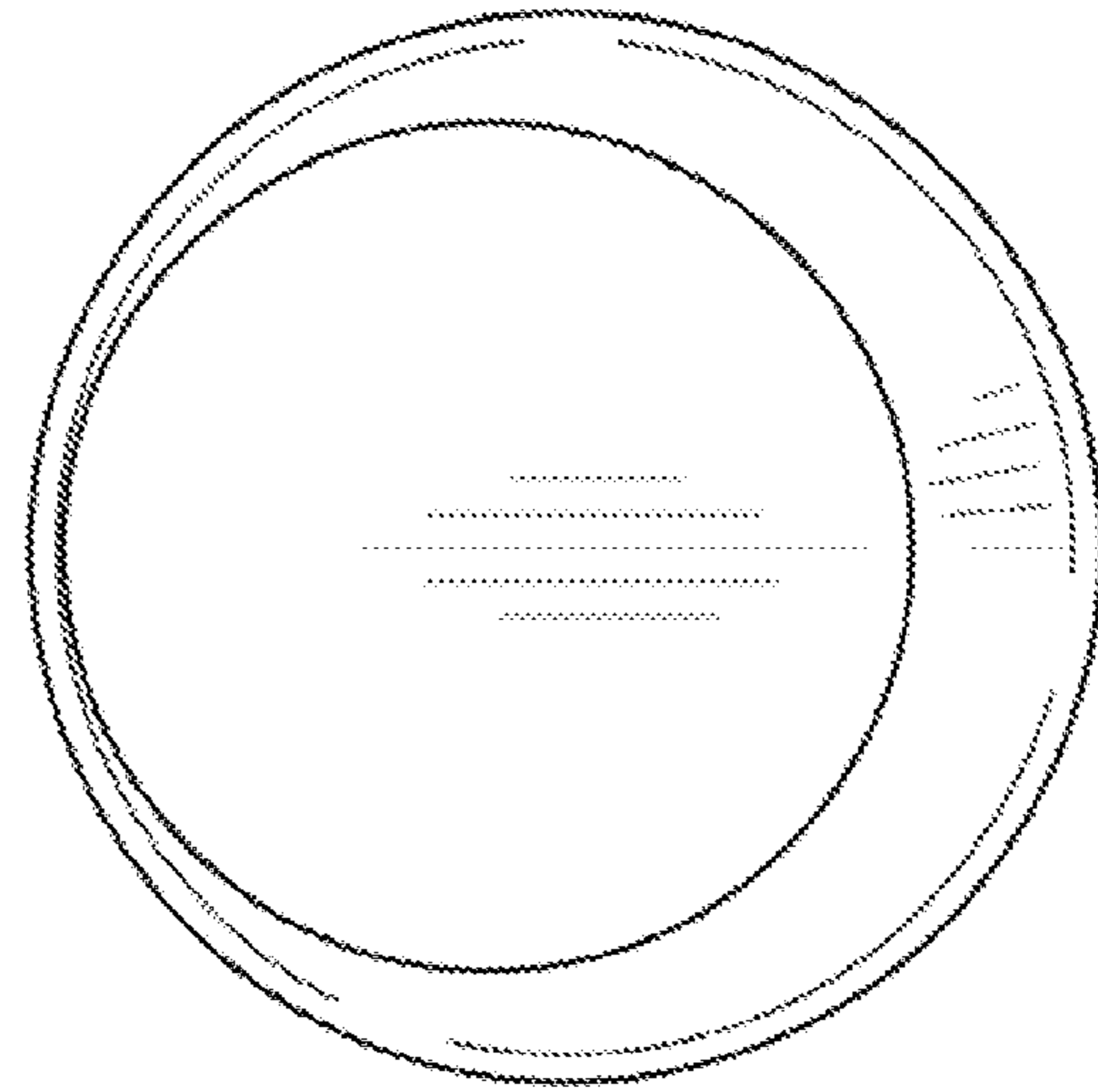


FIG. 2

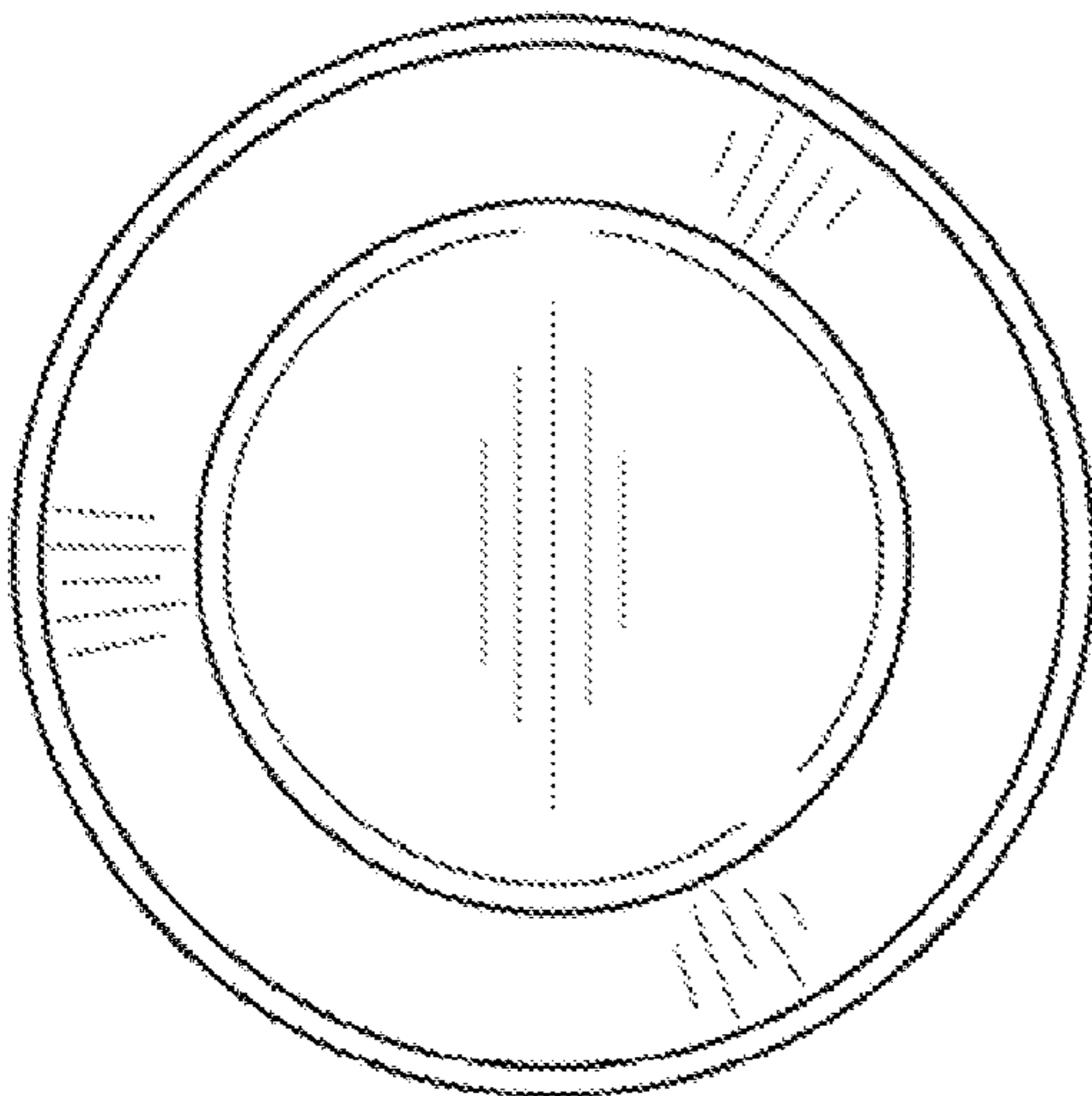


FIG. 3

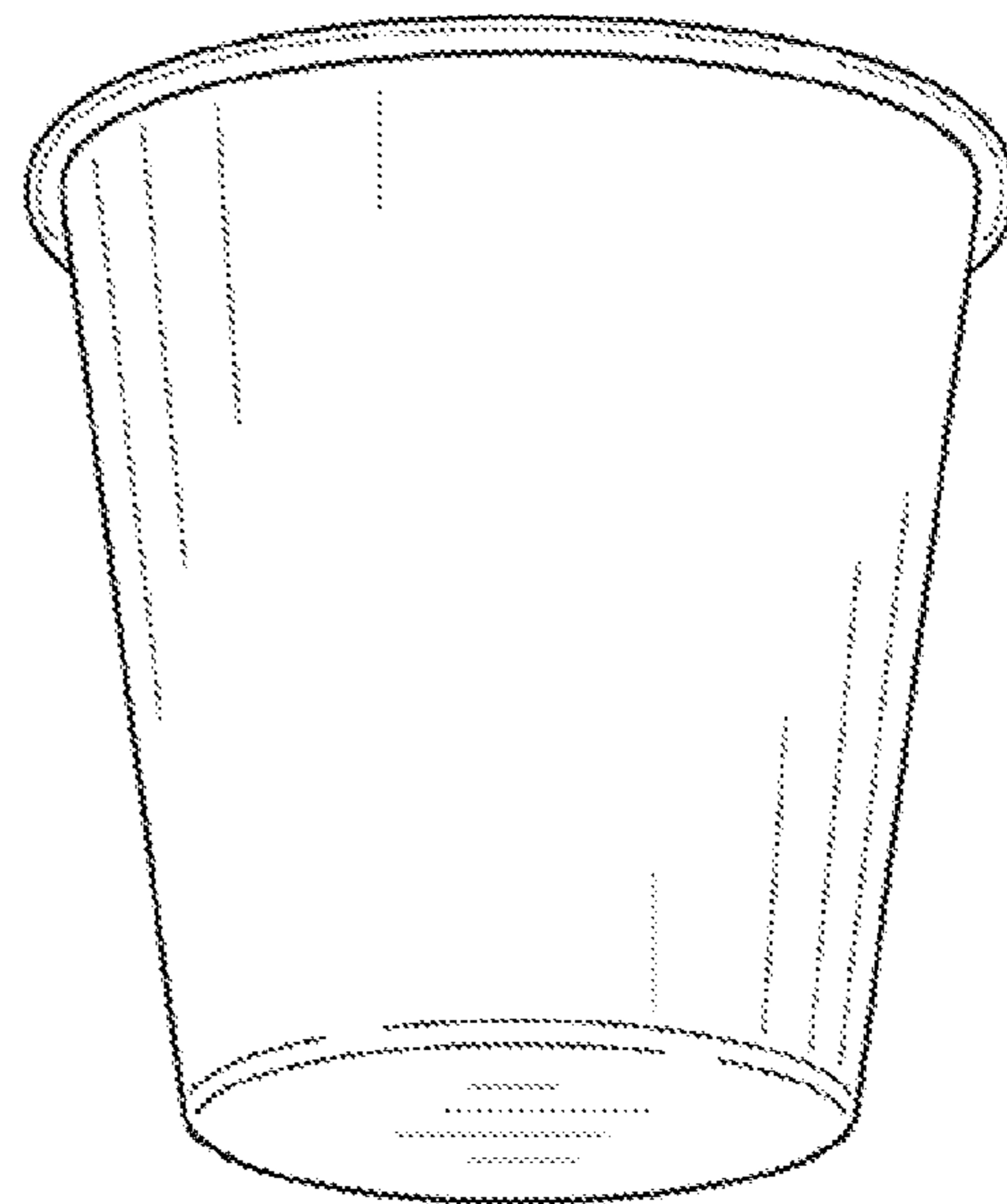


FIG. 4

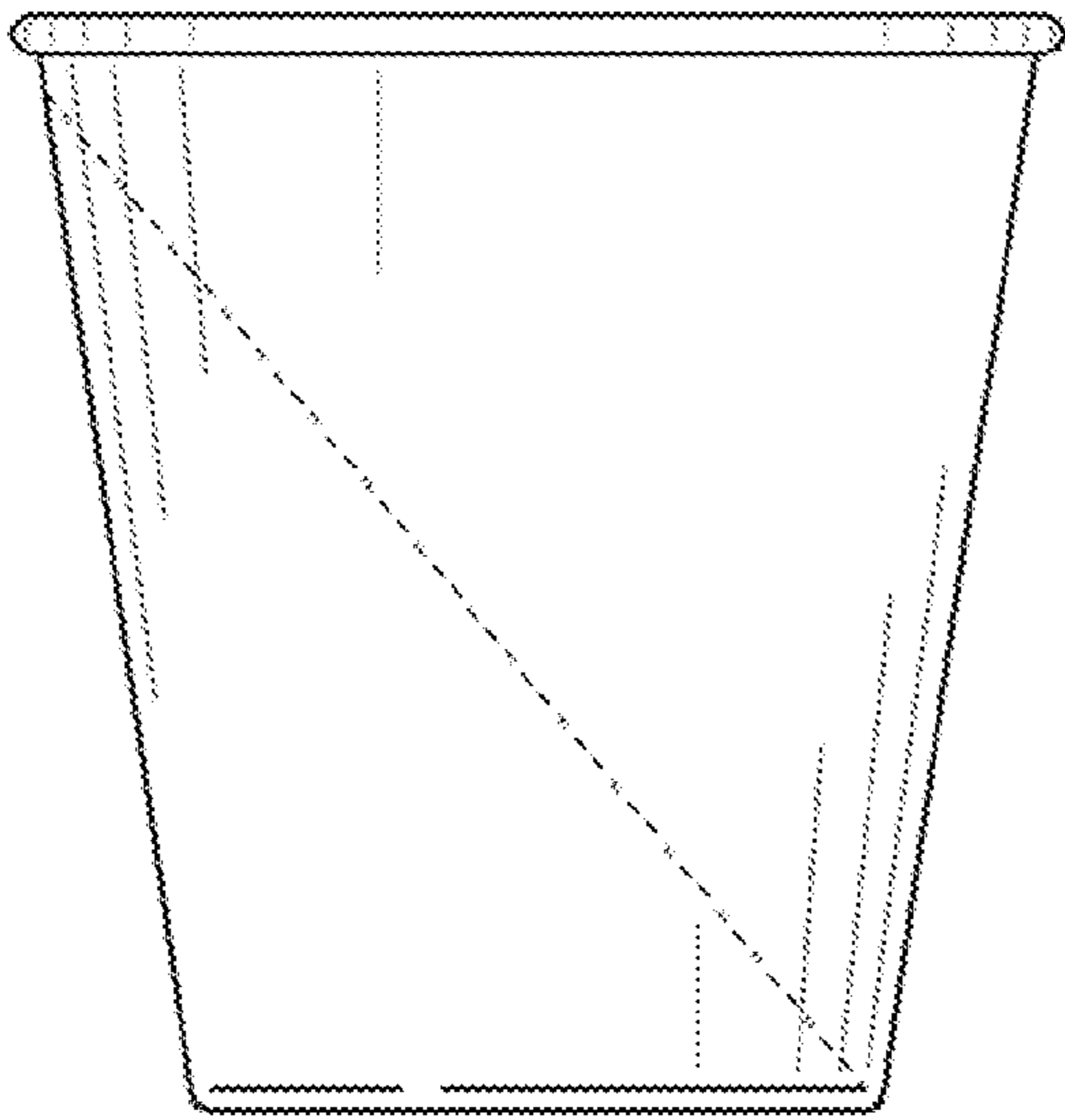


FIG. 5

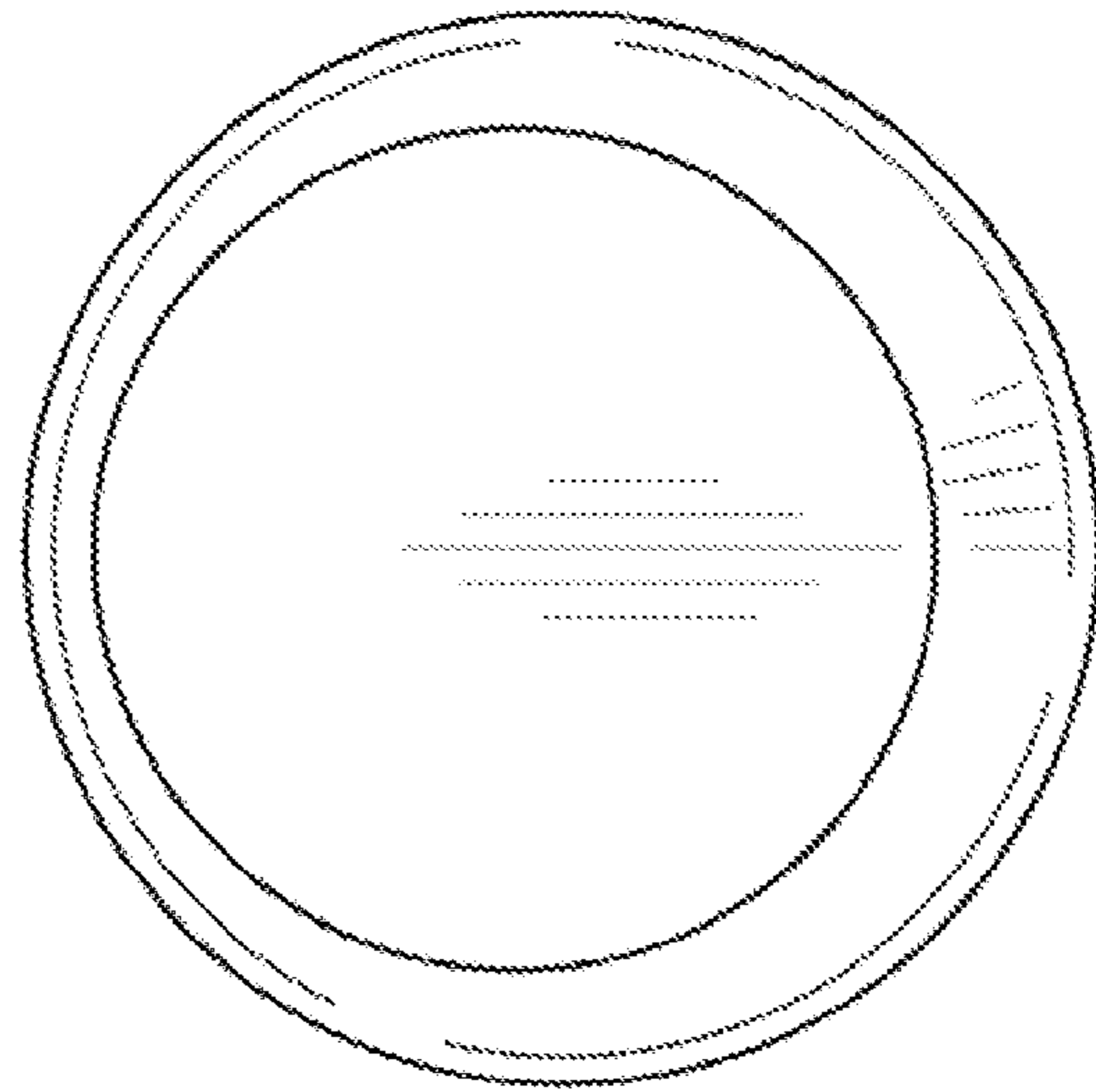


FIG. 6

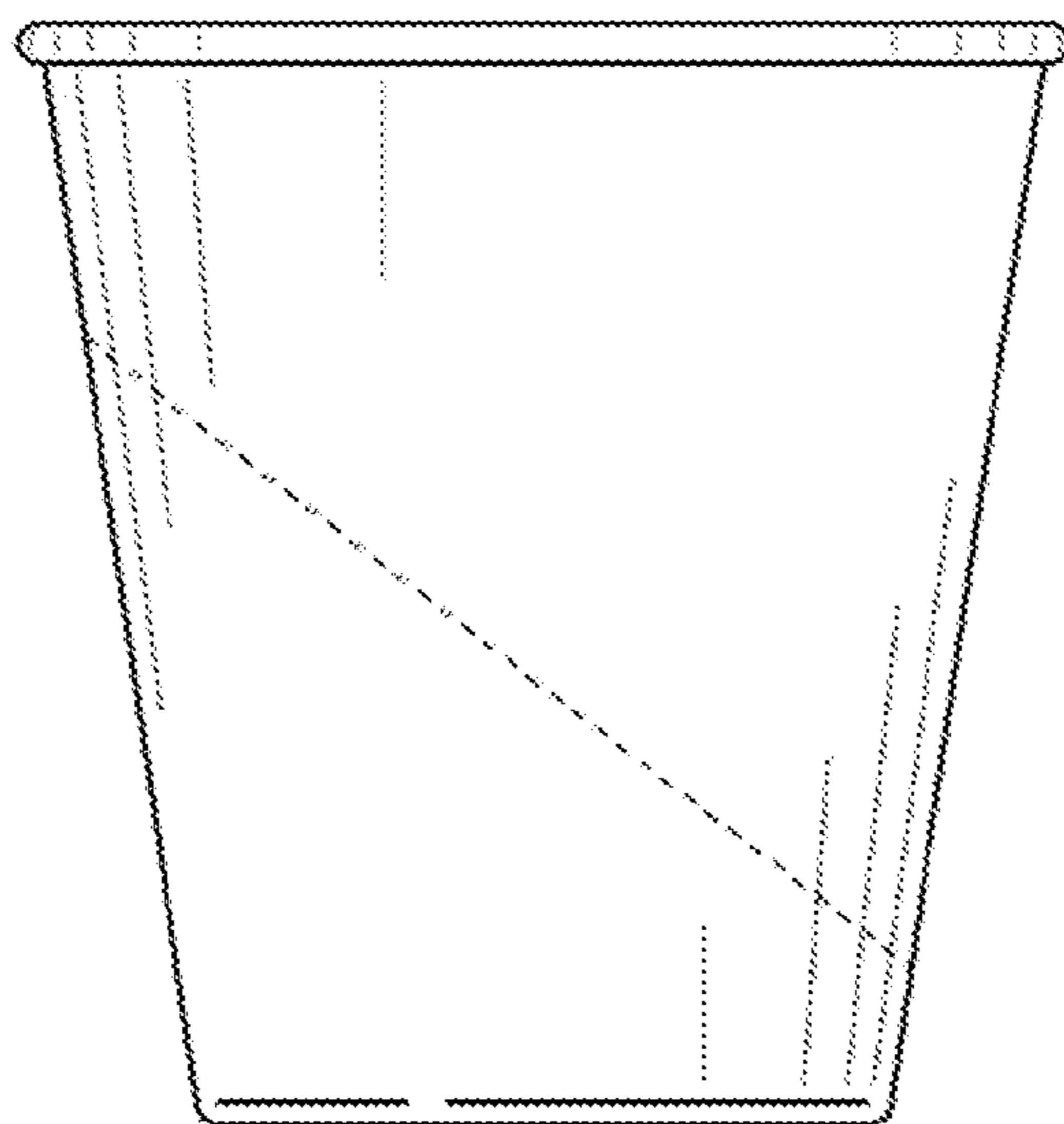


FIG. 7