

US00D635398S

(12) **United States Design Patent**
Watabe

(10) **Patent No.:** **US D635,398 S**

(45) **Date of Patent:** **** Apr. 5, 2011**

(54) **COFFEE BREWING FUNNEL**

(75) Inventor: **Shiro Watabe**, Tokyo (JP)

(73) Assignee: **Kabushiki Kaisha Hiron**, Tokyo (JP)

(**) Term: **14 Years**

(21) Appl. No.: **29/347,673**

(22) Filed: **Apr. 6, 2010**

(30) **Foreign Application Priority Data**

Oct. 7, 2009 (JP) 2009-023482

(51) **LOC (9) Cl.** **07-01**

(52) **U.S. Cl.** **D7/400; D7/700**

(58) **Field of Classification Search** D7/400,
D7/700, 399; D15/150; D9/436; D23/209,
D23/200; 99/295, 323, 306, 299; 210/474,
210/464; 141/331

See application file for complete search history.

(56) **References Cited**

U.S. PATENT DOCUMENTS

865,572	A *	9/1907	Dawson	210/455
1,487,827	A *	3/1924	Weiss	40/553
2,234,397	A *	3/1941	Bentz	210/477
D205,236	S *	7/1966	Iig	D7/700
D217,381	S *	4/1970	Douglas	D7/400
D231,307	S *	4/1974	Wolfman	D7/310

4,419,232	A *	12/1983	Arntyr et al.	210/164
4,642,190	A *	2/1987	Zimmerman	210/464
5,117,878	A *	6/1992	Shaw et al.	141/333
5,228,488	A *	7/1993	Fletcher	141/331
D360,106	S *	7/1995	Sintchak	D7/400
D369,850	S *	5/1996	Cammack et al.	D23/209
5,979,516	A *	11/1999	Grant	141/331
D426,283	S *	6/2000	Hernandez, Jr.	D23/200
D432,915	S *	10/2000	Smith	D9/436
D524,599	S *	7/2006	Bodum	D7/400
D567,038	S *	4/2008	Carallo	D7/700
D606,373	S *	12/2009	McCaffery et al.	D7/700

* cited by examiner

Primary Examiner — Marianne Pandozzi

(74) *Attorney, Agent, or Firm* — Jacobson Holman PLLC

(57) **CLAIM**

The ornamental design for a coffee brewing funnel, as shown and described.

DESCRIPTION

FIG. 1 is a front elevational view of a coffee brewing funnel showing my new design, the rear view being identical;

FIG. 2 is a top plan view thereof;

FIG. 3 is a bottom plan view thereof;

FIG. 4 is a right side elevational view, the left side being identical;

FIG. 5 is a cross sectional view taken along line A—A of FIG. 2; and,

FIG. 6 is a front perspective view thereof.

1 Claim, 3 Drawing Sheets

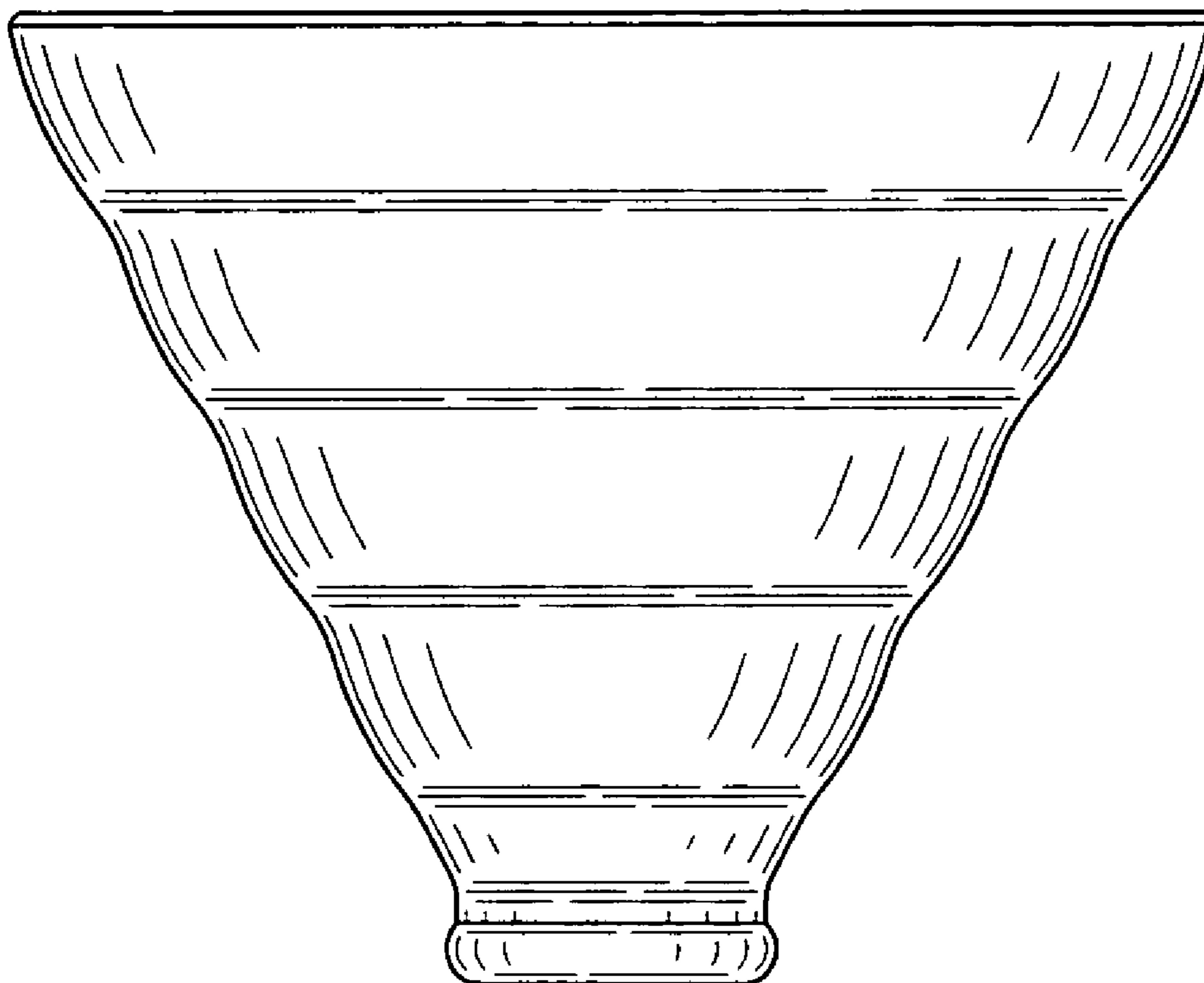


FIG. 1

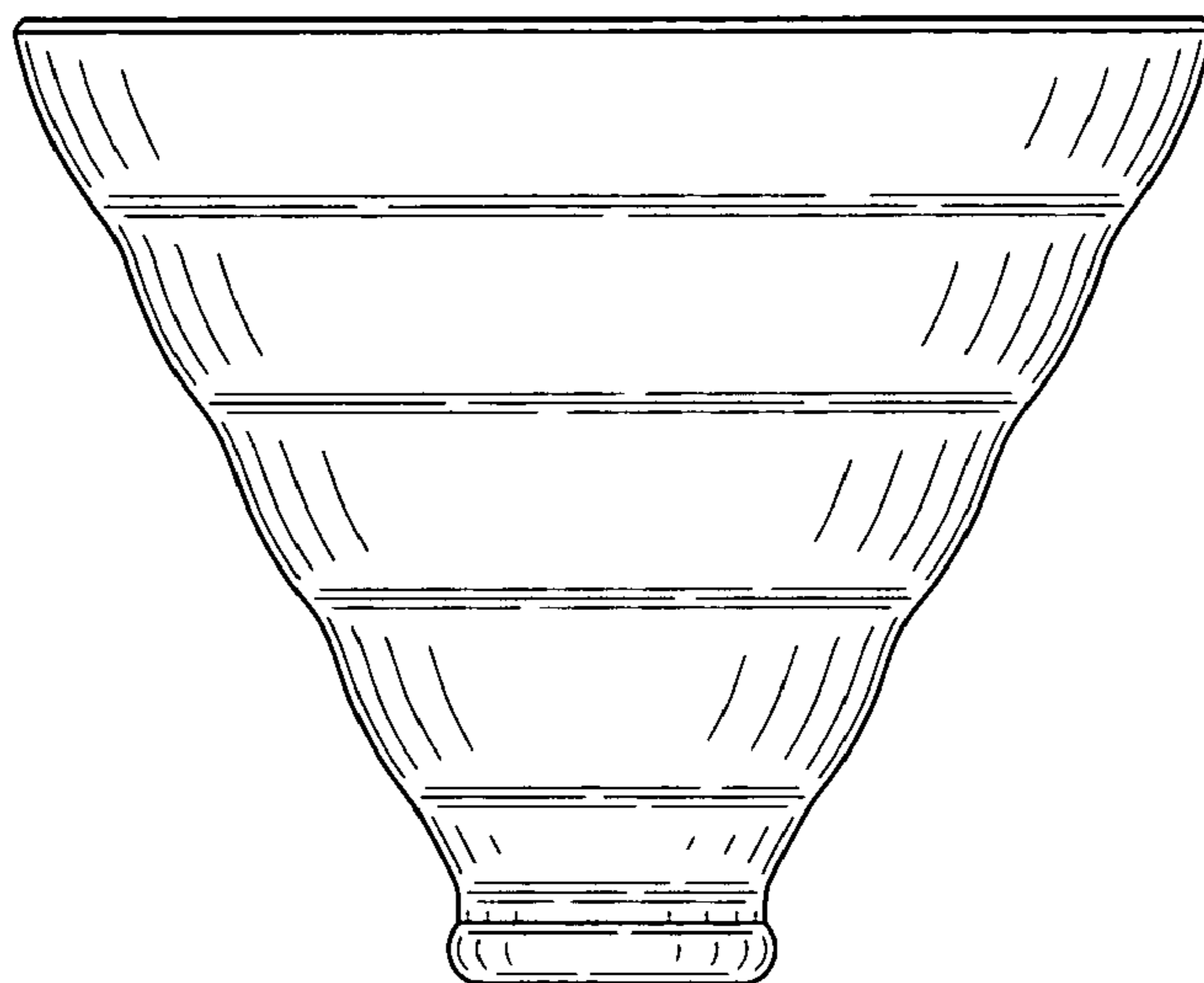


FIG. 2

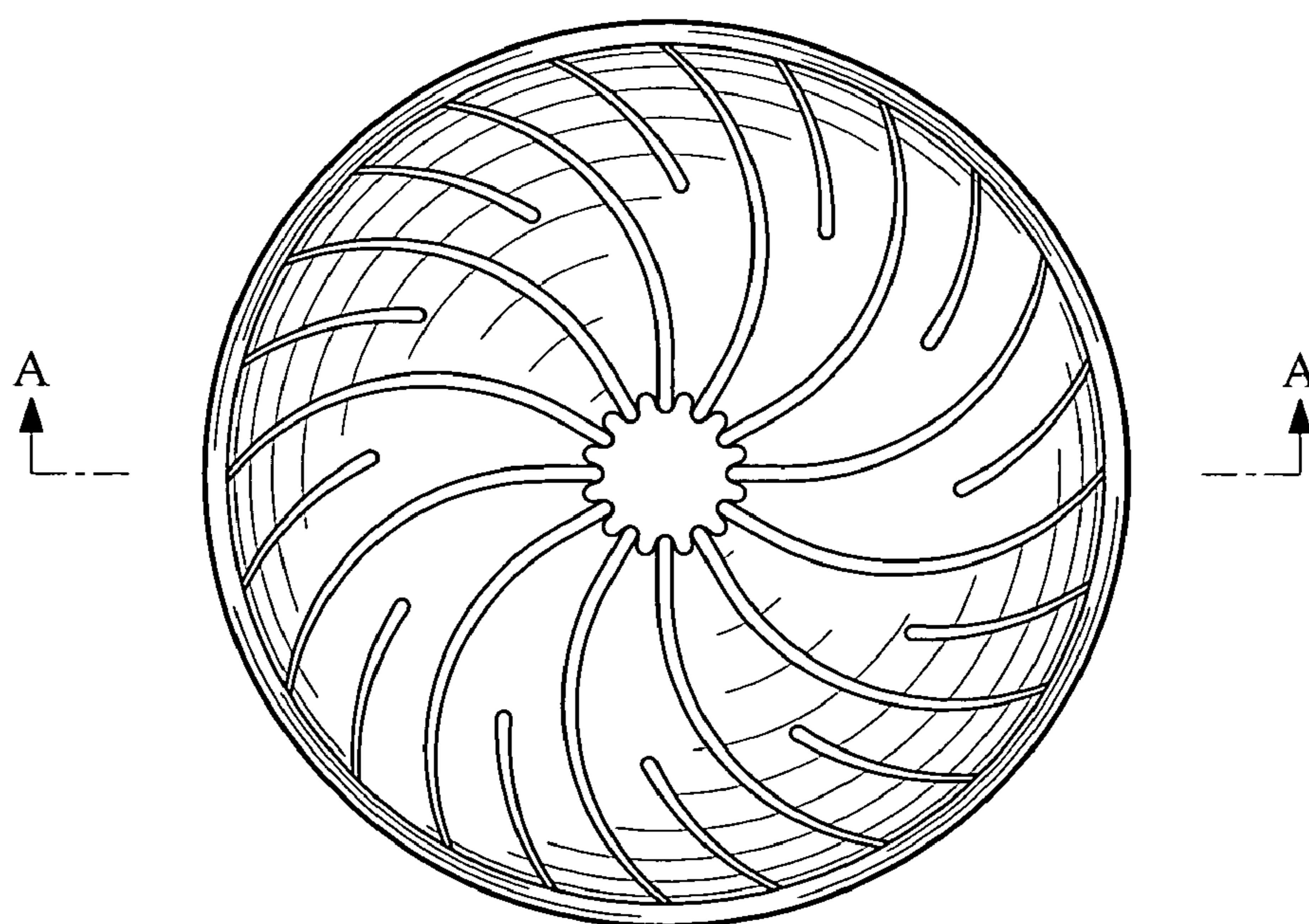


FIG. 3

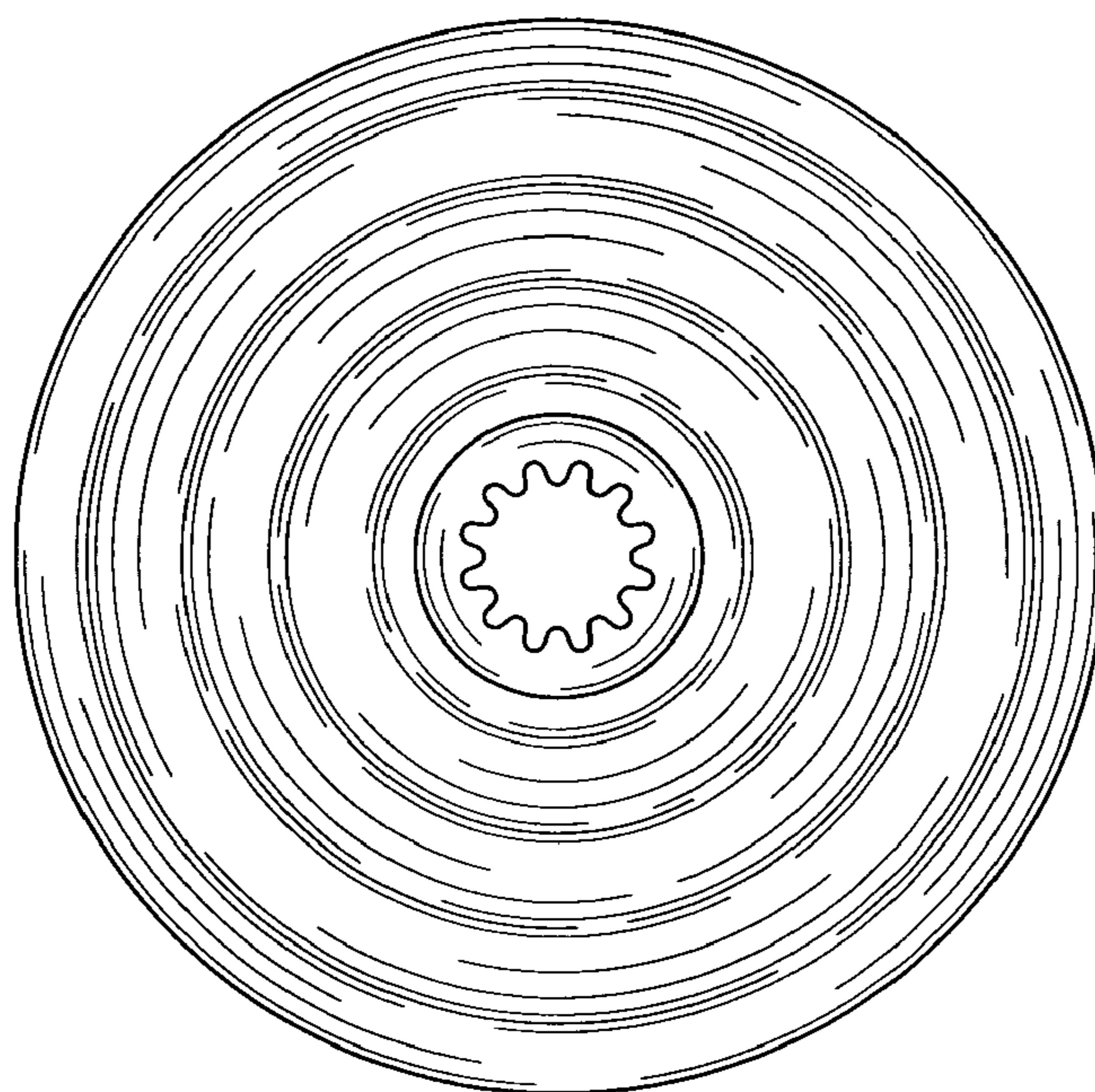


FIG. 4

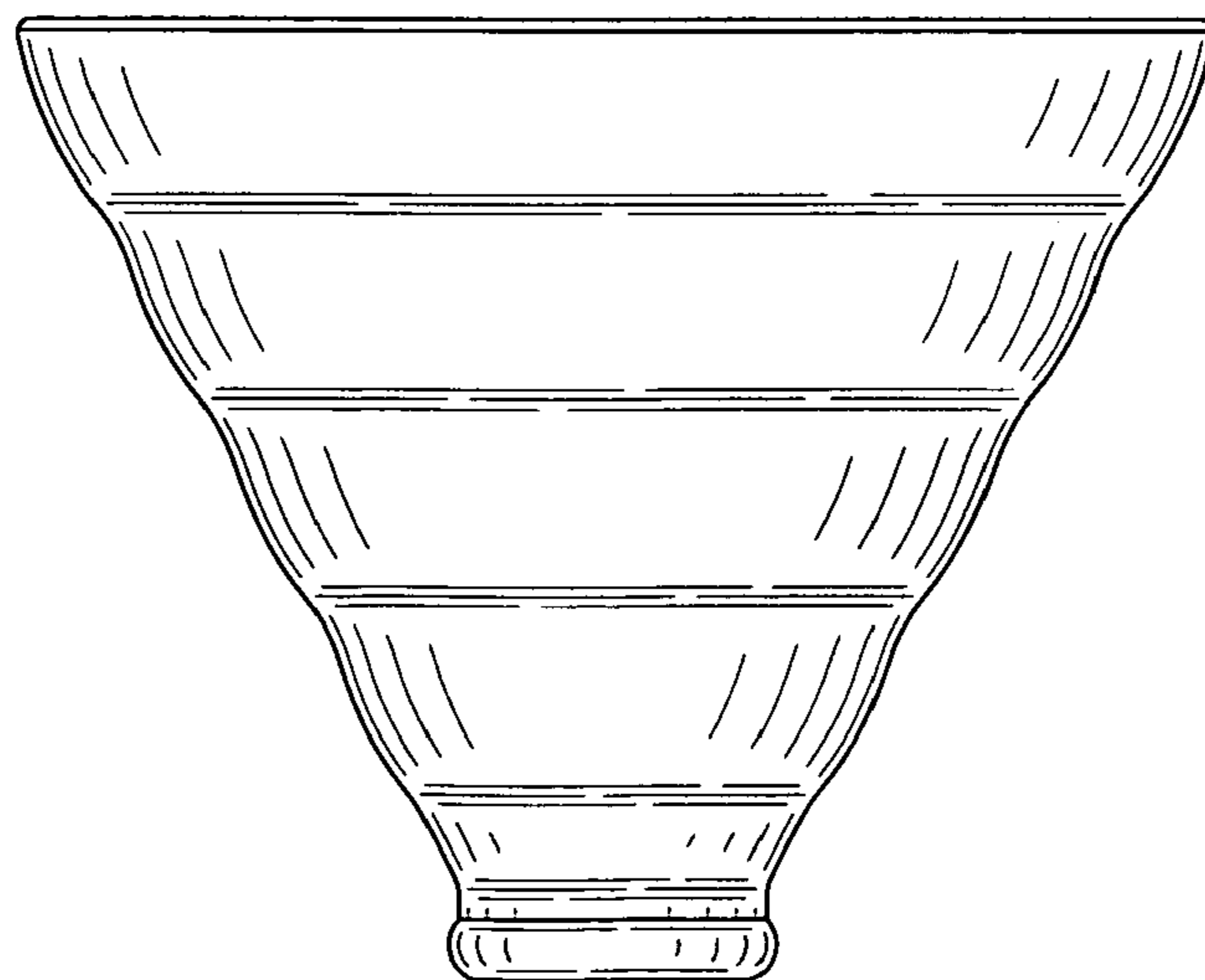


FIG. 5

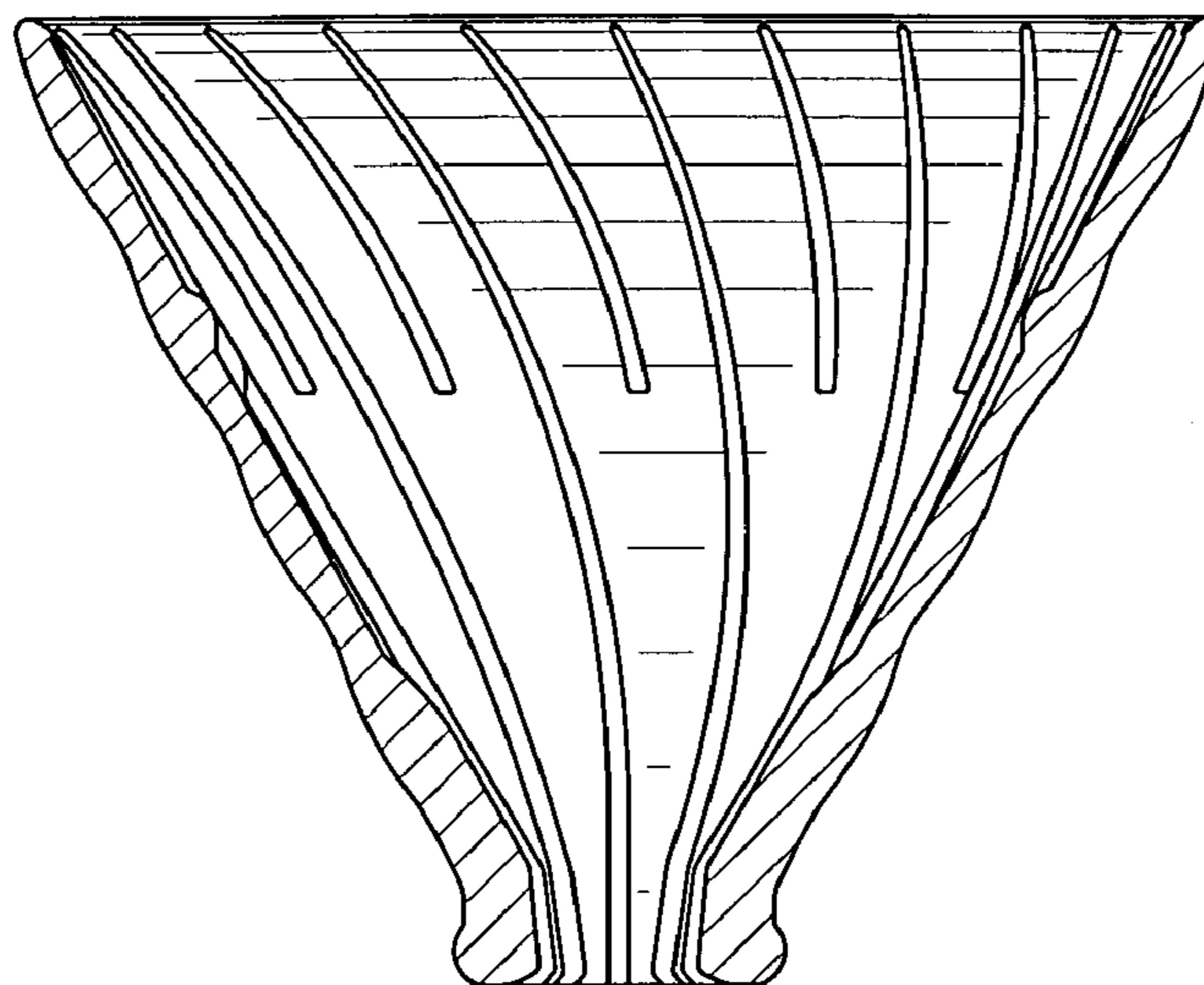


FIG. 6

