



US00D635397S

(12) **United States Design Patent**  
**Hollis et al.**

(10) **Patent No.:** **US D635,397 S**  
(45) **Date of Patent:** **\*\* Apr. 5, 2011**

- (54) **CUP**
- (75) Inventors: **Robert W. Hollis**, Homer Glen, IL (US);  
**Matthew W. Cowling**, Elmhurst, IL  
(US); **Megan E. De Masi**, Chicago, IL  
(US)
- (73) Assignee: **Pactiv Corporation**, Lake Forest, IL  
(US)
- (\*\*) Term: **14 Years**
- (21) Appl. No.: **29/337,728**
- (22) Filed: **May 28, 2009**
- (51) **LOC (9) Cl.** ..... **07-01**
- (52) **U.S. Cl.** ..... **D7/396.2; D7/529**
- (58) **Field of Classification Search** ..... **D7/396.2,**  
**D7/509, 523, 524, 525, 537, 503, 387, 396.1,**  
**D7/542, 587, 586, 566, 554.4, 545; 220/703,**  
**220/592.16, 592.17; 229/400; 215/387;**  
**D3/202; D9/537, 564, 565, 516, 434**  
See application file for complete search history.

- D280,078 S 8/1985 Fortuna
- D285,515 S 9/1986 Papciak
- D286,072 S 10/1986 Miller
- D288,044 S 2/1987 Unger
- D289,483 S 4/1987 Wetter
- D291,040 S 7/1987 Dart
- D305,966 S 2/1990 DeMars
- D313,921 S 1/1991 Unger
- D314,886 S 2/1991 Zivin
- D317,100 S 5/1991 Unger
- D321,813 S 11/1991 Unger
- D322,012 S 12/1991 Mercier
- D324,468 S 3/1992 Unger
- D324,974 S 3/1992 Unger
- D327,093 S 6/1992 Evenson
- D327,393 S 6/1992 Green et al.
- D333,066 S 2/1993 Kimpson
- D334,949 S 4/1993 Evenson
- D337,920 S 8/1993 Rowe
- D338,262 S 8/1993 Oliphant et al.
- D338,714 S 8/1993 Oliphant et al.
- D342,419 S 12/1993 Wilson
- D343,990 S 2/1994 Maraan, II
- D345,895 S 4/1994 Jaworski

(Continued)

*Primary Examiner* — Cynthia Underwood  
(74) *Attorney, Agent, or Firm* — Nixon & Peabody LLP

(56) **References Cited**

U.S. PATENT DOCUMENTS

- 3,126,139 A \* 3/1964 Schechter ..... 229/403
- D249,110 S 8/1978 Newmark
- D256,077 S 7/1980 Brockman et al.
- D257,526 S 11/1980 Herbset et al.
- D259,757 S 7/1981 Perrin
- D259,846 S 7/1981 Perrin
- D261,085 S 10/1981 Ventura
- D262,680 S 1/1982 Lack et al.
- D262,765 S 1/1982 Lack et al.
- D265,372 S 7/1982 Groenewold et al.
- D267,850 S 2/1983 Groenewold et al.
- D271,650 S 12/1983 Groenewold et al.
- D272,213 S 1/1984 Daenen
- D272,794 S 2/1984 Dart
- D272,878 S 3/1984 Kanoui
- D273,651 S 5/1984 Emrick

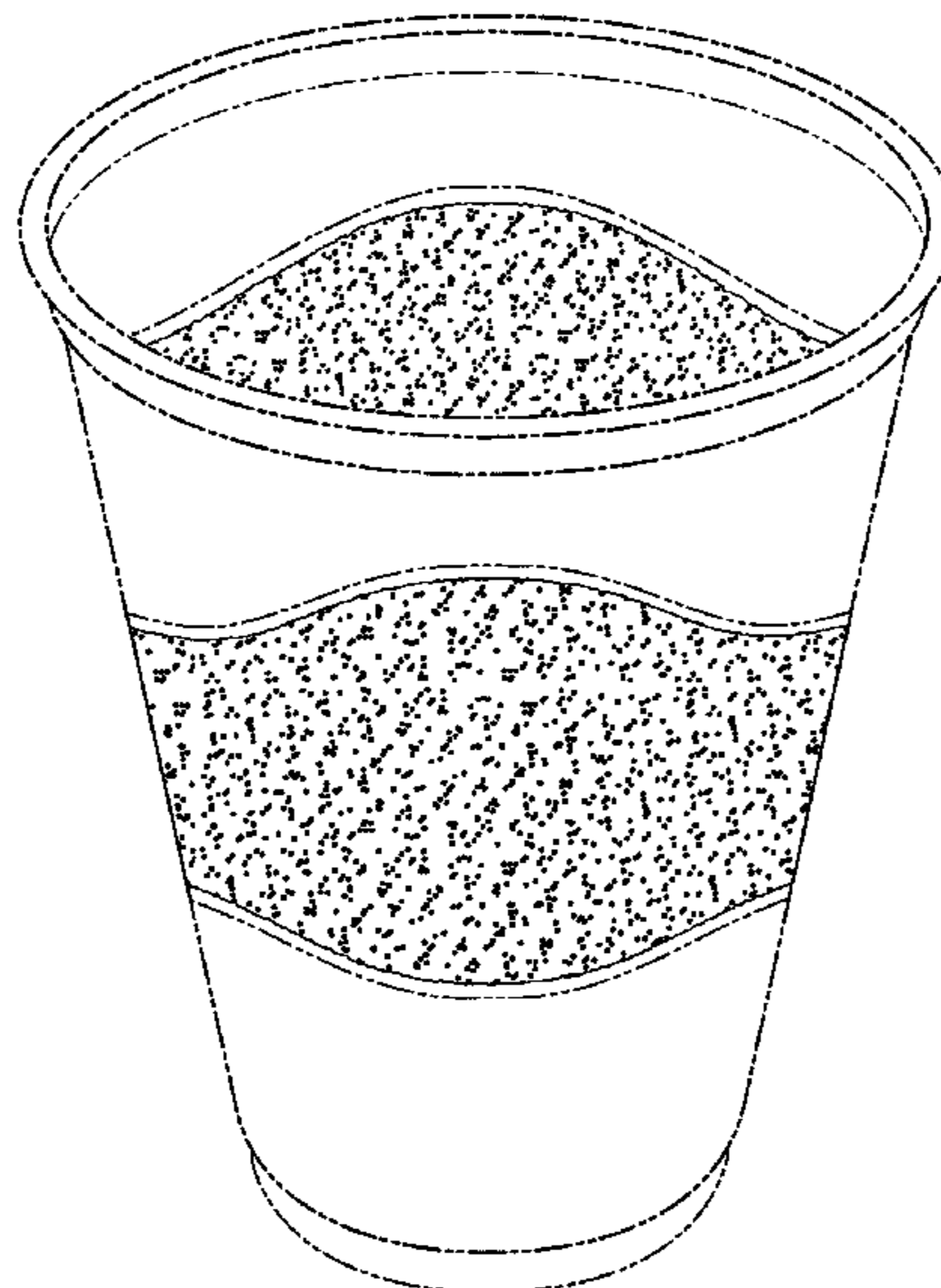
(57) **CLAIM**

The ornamental design for cup, as shown and described.

**DESCRIPTION**

FIG. 1 is a perspective view of a cup.  
FIG. 2 is a first side view of the cup.  
FIG. 3 is a second side view of the cup, which is adjacent to the first side view of FIG. 2.  
FIG. 4 is a top plan view of the cup; and,  
FIG. 5 is a bottom plan view of the cup.  
The portions of the drawings shown in broken lines represent environmental structure and form no part of the claimed design.

**1 Claim, 3 Drawing Sheets**



# US D635,397 S

Page 2

U.S. PATENT DOCUMENTS					
D346,933 S	5/1994	Denny et al.	D483,611 S	12/2003	Ghanem
D347,547 S	6/1994	Heinrich	D483,612 S	12/2003	Chuang
D347,763 S	6/1994	Kleckauskas et al.	D484,361 S	12/2003	Jeung
D350,873 S	9/1994	Duffy	D486,036 S	2/2004	Chuang
D360,558 S	7/1995	Appleman	D486,692 S	2/2004	Chuang
D362,368 S	9/1995	Willbrandt	D486,695 S	2/2004	Chuang
D363,642 S	10/1995	Goto et al.	D490,654 S	6/2004	Allen et al.
D365,248 S	12/1995	Falzarano	D490,655 S	6/2004	Zettle et al.
D371,936 S	7/1996	Goto et al.	D491,020 S	6/2004	Gluck
D372,168 S	7/1996	Seager	D495,209 S	8/2004	Tranfaglia et al.
D376,070 S	12/1996	Ward, Jr.	D502,364 S	3/2005	Chan
D377,582 S	1/1997	Yang	D505,830 S	6/2005	Smith et al.
D379,738 S	6/1997	Liming et al.	D507,458 S	7/2005	Allen et al.
D381,558 S	7/1997	Schaefer et al.	D507,720 S	7/2005	Fabrizio
D383,038 S	9/1997	Willbrandt	D507,934 S	8/2005	Featherston et al.
D383,942 S	9/1997	Rench et al.	D513,687 S	1/2006	Destrooper
D386,947 S	12/1997	Lapierre et al.	D514,385 S	2/2006	Smith et al.
D388,509 S	12/1997	Hsiao	D514,386 S	2/2006	Yaniv
D388,660 S	1/1998	Gründl	D514,884 S	2/2006	Smith et al.
D395,503 S	6/1998	Kushnir	D515,358 S	2/2006	Orr et al.
D400,762 S	11/1998	Mecklenburg	D518,997 S	4/2006	Salkow et al.
D403,555 S	1/1999	Burns et al.	D519,786 S	5/2006	Betras
D407,271 S	3/1999	Tsai	D520,302 S	5/2006	Yeh
D409,442 S	5/1999	Kilpatrick et al.	D521,318 S	5/2006	Huang
D410,174 S	5/1999	Sheu	D522,805 S	6/2006	Cheng
D411,712 S	6/1999	Mecklenburg	D526,847 S	8/2006	Freeman
D412,085 S	7/1999	Roush et al.	D527,583 S	9/2006	Freeman
D412,088 S	7/1999	Otake	D528,365 S	9/2006	Hsu
D416,443 S	11/1999	Kilpatrick et al.	D528,860 S	9/2006	McGrath
D416,758 S	11/1999	Tsai	D528,863 S	9/2006	Hayes et al.
D417,591 S	12/1999	Roehrig	D529,340 S	10/2006	Laib et al.
D418,014 S	12/1999	Schoelkopf et al.	D529,341 S	10/2006	Hsu
D423,879 S	5/2000	Lin	D529,762 S	10/2006	Schweigert et al.
D426,750 S	6/2000	Madden-Askew	D530,569 S	10/2006	Hsu
D427,489 S	7/2000	Henry	D531,452 S	11/2006	Toth
D427,852 S	7/2000	Tal et al.	D531,854 S	11/2006	Bresler
D428,307 S	7/2000	Yeandel	D532,257 S	11/2006	Mansfield
D432,359 S	10/2000	Madden-Askew	D533,748 S	12/2006	Bresler
D434,272 S	11/2000	Johansen et al.	D534,768 S	1/2007	Mansfield
D434,273 S	11/2000	Johansen et al.	D534,770 S	1/2007	Gluck
D436,295 S	1/2001	Furman et al.	D535,152 S	1/2007	Gluck
D436,499 S	1/2001	Pritchard et al.	D537,677 S	3/2007	Bresler
D438,757 S	3/2001	Joergensen	D538,598 S	3/2007	Haataja
D439,472 S	3/2001	Wang	D539,091 S	3/2007	Mansfield
D439,803 S	4/2001	Lin	D541,107 S	4/2007	Mansfield
D440,465 S	4/2001	La Torre et al.	D541,108 S	4/2007	Wang et al.
D440,466 S	4/2001	Lillelund et al.	D545,623 S	7/2007	Renz et al.
D440,822 S	4/2001	Lin	D546,626 S	7/2007	Chou
D440,824 S	4/2001	Carter et al.	D547,120 S	7/2007	Brenner
D440,825 S	4/2001	Carter et al.	D547,805 S	7/2007	Killinger et al.
D441,252 S	5/2001	Gitschlag	D548,526 S	8/2007	Huffman et al.
D446,687 S	8/2001	Furman et al.	D549,523 S	8/2007	Montes et al.
D448,242 S	9/2001	McDonough et al.	D550,510 S	9/2007	Morton et al.
D448,976 S	10/2001	McDonough et al.	D551,503 S	9/2007	Bouie et al.
D449,961 S	11/2001	Miura	D551,906 S	10/2007	Stewart-Stand
D450,535 S	11/2001	McDonough et al.	D552,421 S	10/2007	Wolf
D452,797 S	1/2002	Palefsky et al.	D552,930 S	10/2007	Huffman et al.
D453,447 S	2/2002	Bi	D553,441 S	10/2007	Mirpuri
D456,213 S	4/2002	Darabi	D553,442 S	10/2007	Bodum
D459,947 S	7/2002	Cheng	D554,434 S	11/2007	Morrison et al.
D461,097 S	8/2002	Nemirovsky	D555,979 S	11/2007	Mansfield
D461,098 S	8/2002	Lin	D556,511 S	12/2007	Mansfield
D461,369 S	8/2002	Sims et al.	D556,512 S	12/2007	Mansfield
D463,216 S	9/2002	McDonough et al.	D557,074 S	12/2007	Bardolet
D465,971 S	11/2002	Renz	D557,564 S	12/2007	Bodum
D470,362 S	2/2003	Basden	D557,985 S	12/2007	Arcangeli
D471,064 S	3/2003	Renz	D557,986 S	12/2007	Dorst
D471,404 S	3/2003	Gady	D559,039 S	1/2008	Freeman
D474,077 S	5/2003	Hatsumoto	D559,040 S	1/2008	Freeman
D475,890 S	6/2003	Mazonkey	D560,971 S	2/2008	Sung
D475,892 S	6/2003	Andres et al.	D560,972 S	2/2008	Sung
D476,850 S	7/2003	Featherston et al.	D561,536 S	2/2008	Virgilio
D477,750 S	7/2003	Chuang	D562,074 S	2/2008	Mansfield
D477,751 S	7/2003	Chuang	D562,075 S	2/2008	Mehta
D479,950 S	9/2003	Lin	D562,633 S	2/2008	Luft
D480,271 S	10/2003	Lin	D562,634 S	2/2008	Frank
D482,237 S	11/2003	Wellner	D562,635 S	2/2008	Weber
D482,571 S	11/2003	Leinenweber	D562,636 S	2/2008	Weber
			D562,638 S	2/2008	Hamberger et al.



# US D635,397 S

Page 3

---

D563,723 S	3/2008	Gluck	D581,210 S	11/2008	Ramian	
D564,840 S	3/2008	Williams	D581,216 S	11/2008	Williams	
D566,467 S	4/2008	Starck	D582,723 S	12/2008	Renz et al.	
D567,586 S	4/2008	Brown	D584,568 S	1/2009	Gibbs et al.	
D571,612 S	6/2008	Wood	D586,181 S	2/2009	Pola	
D572,533 S	7/2008	Mansfield et al.	D587,068 S	2/2009	Rocco	
D573,839 S	7/2008	Sun	D589,752 S	4/2009	Fetting	
D574,192 S	8/2008	Schösser	D590,658 S	4/2009	Pola	
D575,987 S	9/2008	Williams	D617,144 S *	6/2010	O'Connor et al. ....	D7/396.2
D577,253 S	9/2008	Bodum	D618,962 S *	7/2010	Liming .....	D7/396.2
D578,350 S	10/2008	Eide et al.	D623,476 S *	9/2010	Carlson et al. ....	D7/510
D579,721 S	11/2008	Qian	D624,362 S *	9/2010	Wahl .....	D7/510
D580,228 S	11/2008	Hayden				
D580,709 S	11/2008	Williams				

\* cited by examiner

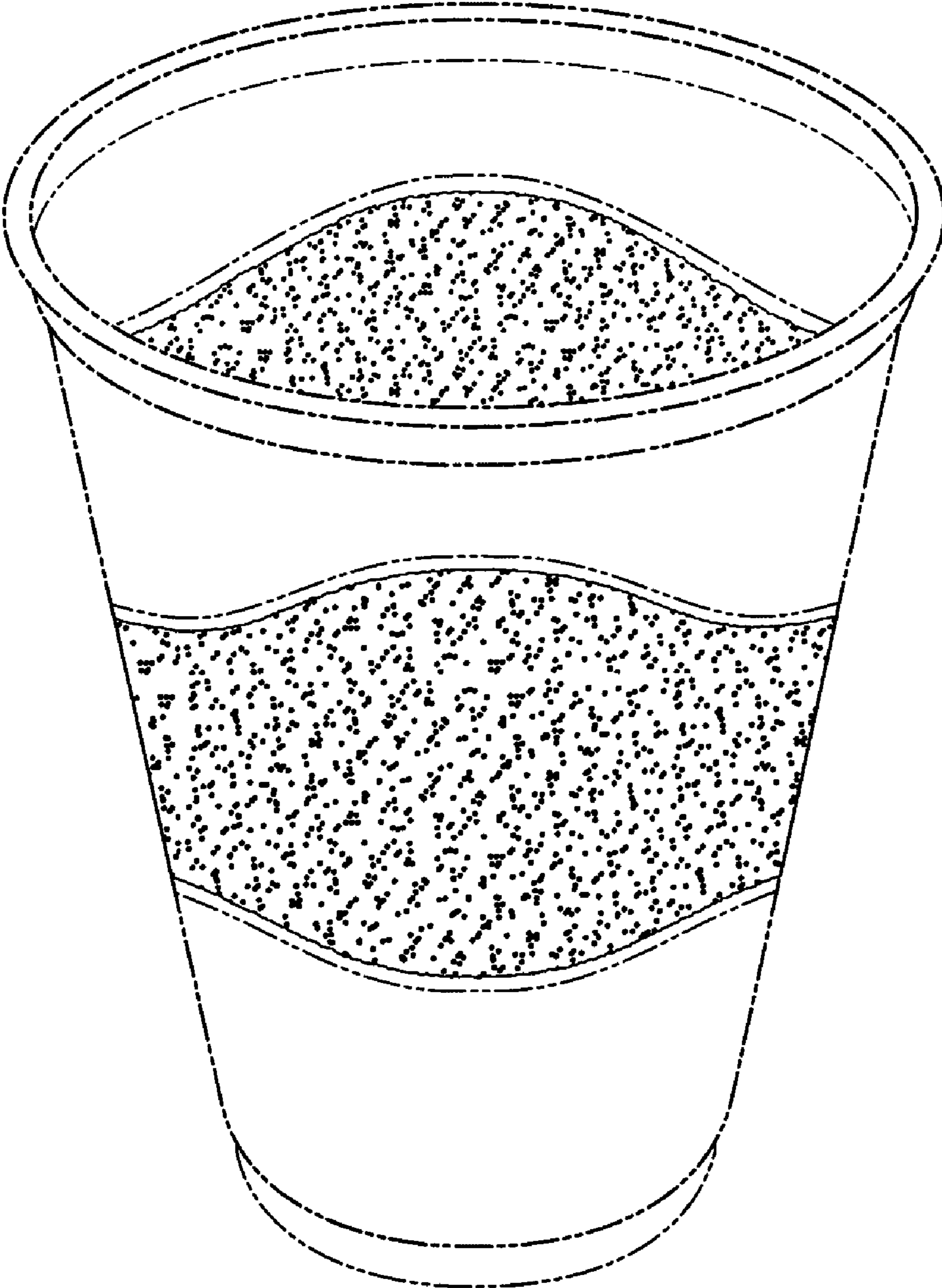


FIG. 1

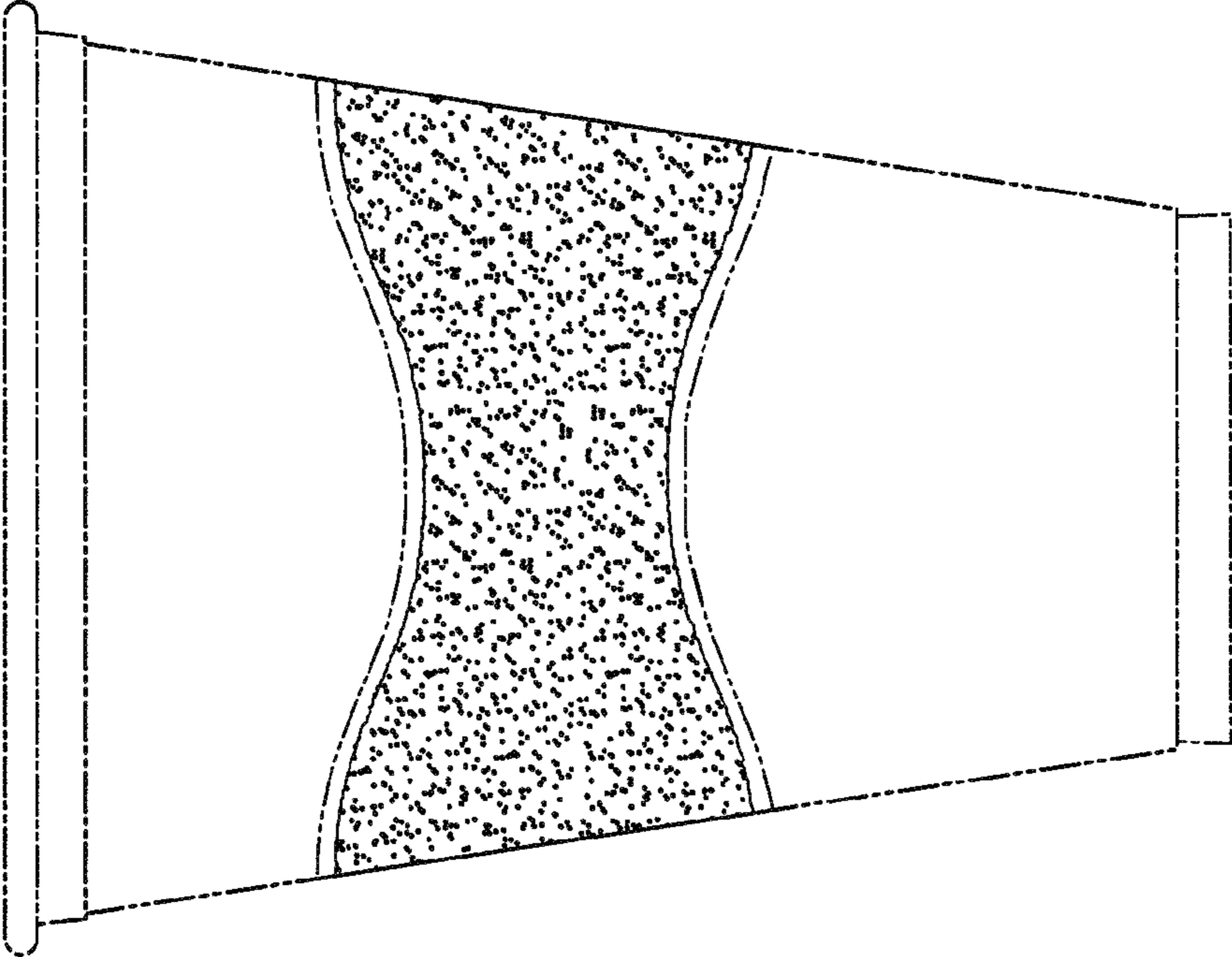


FIG. 3

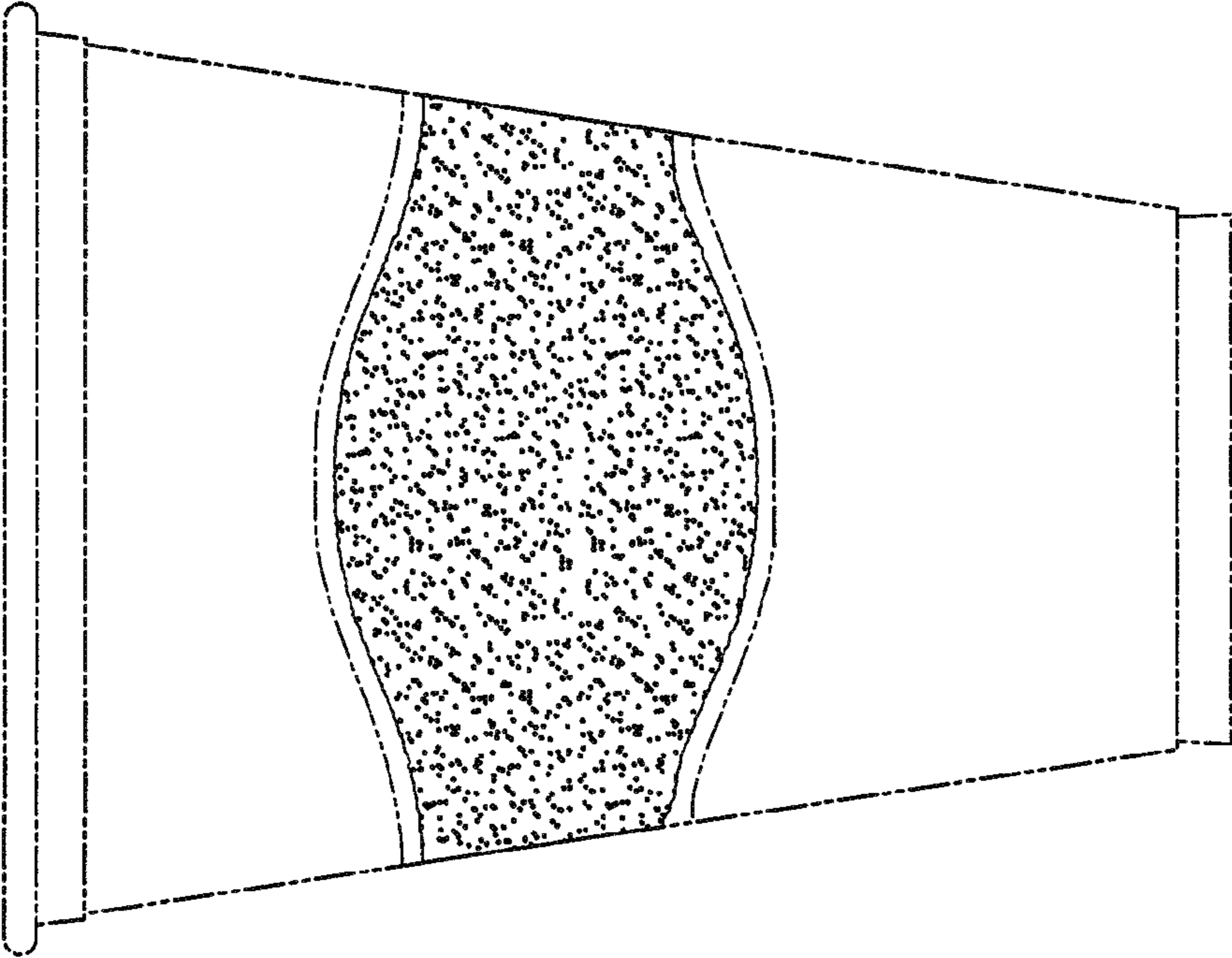


FIG. 2

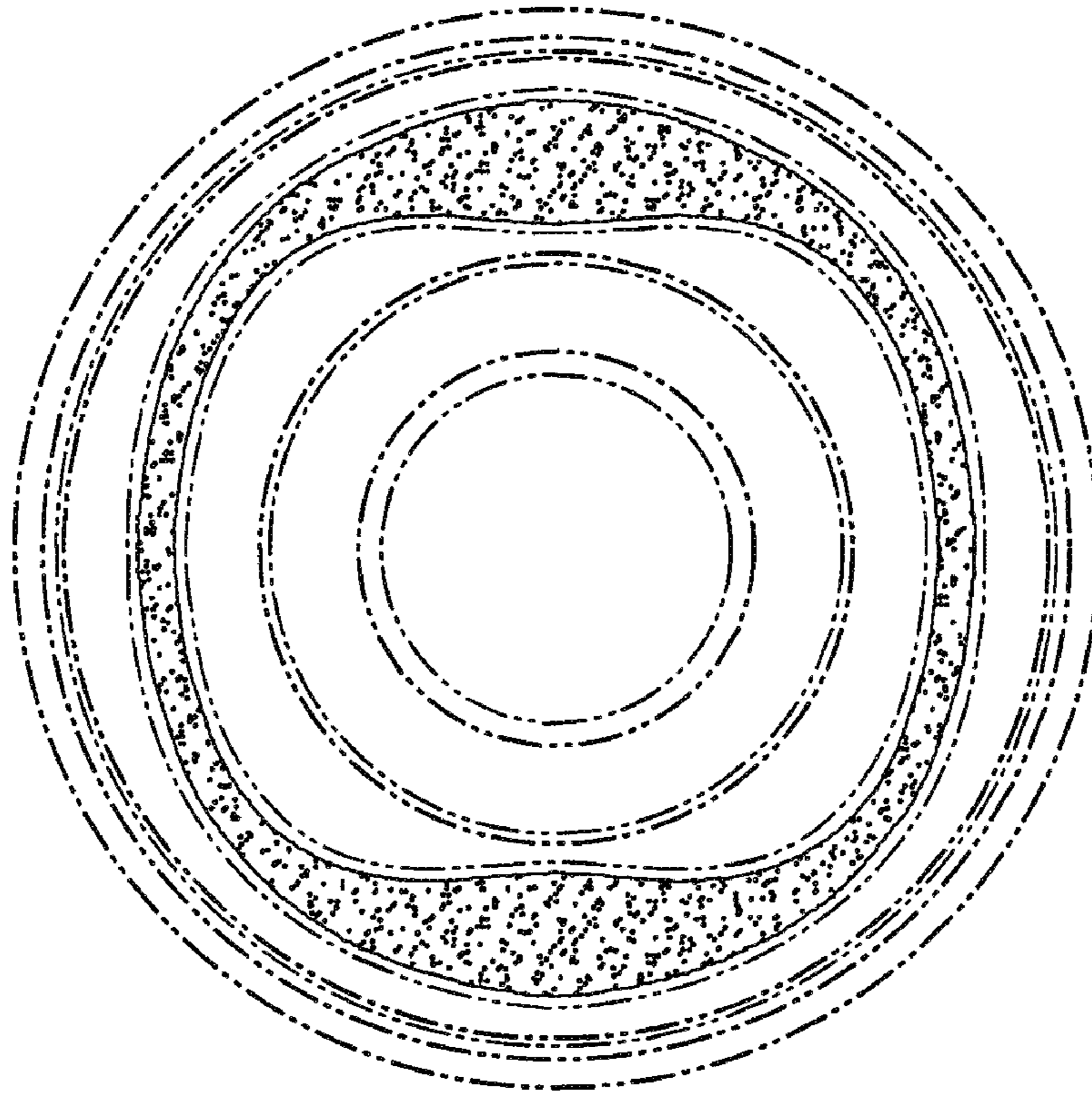


FIG. 4

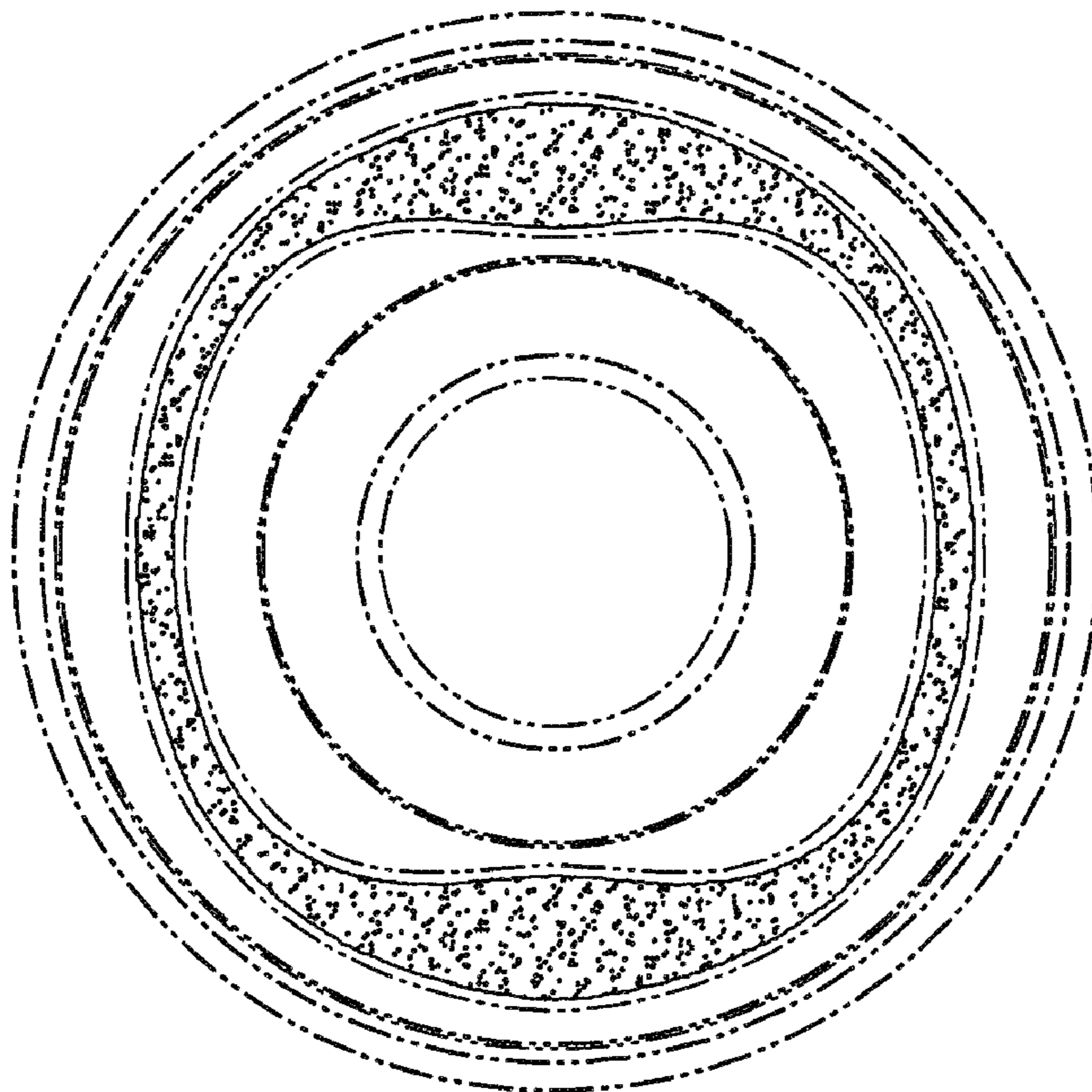


FIG. 5