



US00D635396S

(12) **United States Design Patent**
Rae

(10) **Patent No.:** **US D635,396 S**
(45) **Date of Patent:** **** Apr. 5, 2011**

(54) **ELONGATED COOKWARE HANDLE WITH EXTENDED GRIP**

(75) Inventor: **Robert A Rae**, Las Vegas, NV (US)

(73) Assignee: **Meyer Intellectual Properties Limited** (VG)

(**) Term: **14 Years**

(21) Appl. No.: **29/370,346**

(22) Filed: **Jul. 2, 2010**

(51) **LOC (9) Cl.** **07-02**

(52) **U.S. Cl.** **D7/395**

(58) **Field of Classification Search** D7/354–361,
D7/393–395, 401.2, 664; D8/107, 300, 303,
D8/307, 313, 321; D4/138, 129; 16/421,
16/430, 431, 110.1, 407; 220/573.1–573.5,
220/752, 753, 755, 756, 759, 767, 771, 912
See application file for complete search history.

(56) **References Cited**

U.S. PATENT DOCUMENTS

D438,055 S *	2/2001	Munari	D7/395
D447,383 S *	9/2001	Rae	D7/395
D468,583 S *	1/2003	Kerulis	D7/395
D477,967 S *	8/2003	Burton et al.	D7/395
D482,567 S *	11/2003	Demers	D7/395
D494,412 S *	8/2004	Prakasa	D7/395
D523,690 S *	6/2006	Giannone	D7/395

D555,425 S *	11/2007	Rae	D7/395
D557,065 S *	12/2007	Levy et al.	D7/393
D560,426 S *	1/2008	Prakasa	D7/395
D560,429 S *	1/2008	Prakasa	D7/395
D575,982 S *	9/2008	Rae	D7/393
D581,721 S *	12/2008	Rae	D7/360
D593,794 S *	6/2009	Rae	D7/395
D596,897 S *	7/2009	Tetreault et al.	D7/395
D596,898 S *	7/2009	Tetreault et al.	D7/395
7,600,654 B2 *	10/2009	Kutsch et al.	220/756

* cited by examiner

Primary Examiner — Cynthia M Chin

(74) *Attorney, Agent, or Firm* — Edward S. Sherman

(57) **CLAIM**

The ornamental design for an elongated cookware handle with extended grip, as shown and described.

DESCRIPTION

FIG. 1 is a perspective view from above of the “elongated cookware handle with extended grip”, showing my new design;

FIG. 2 is a top plan view thereof;

FIG. 3 is a front elevation view thereof;

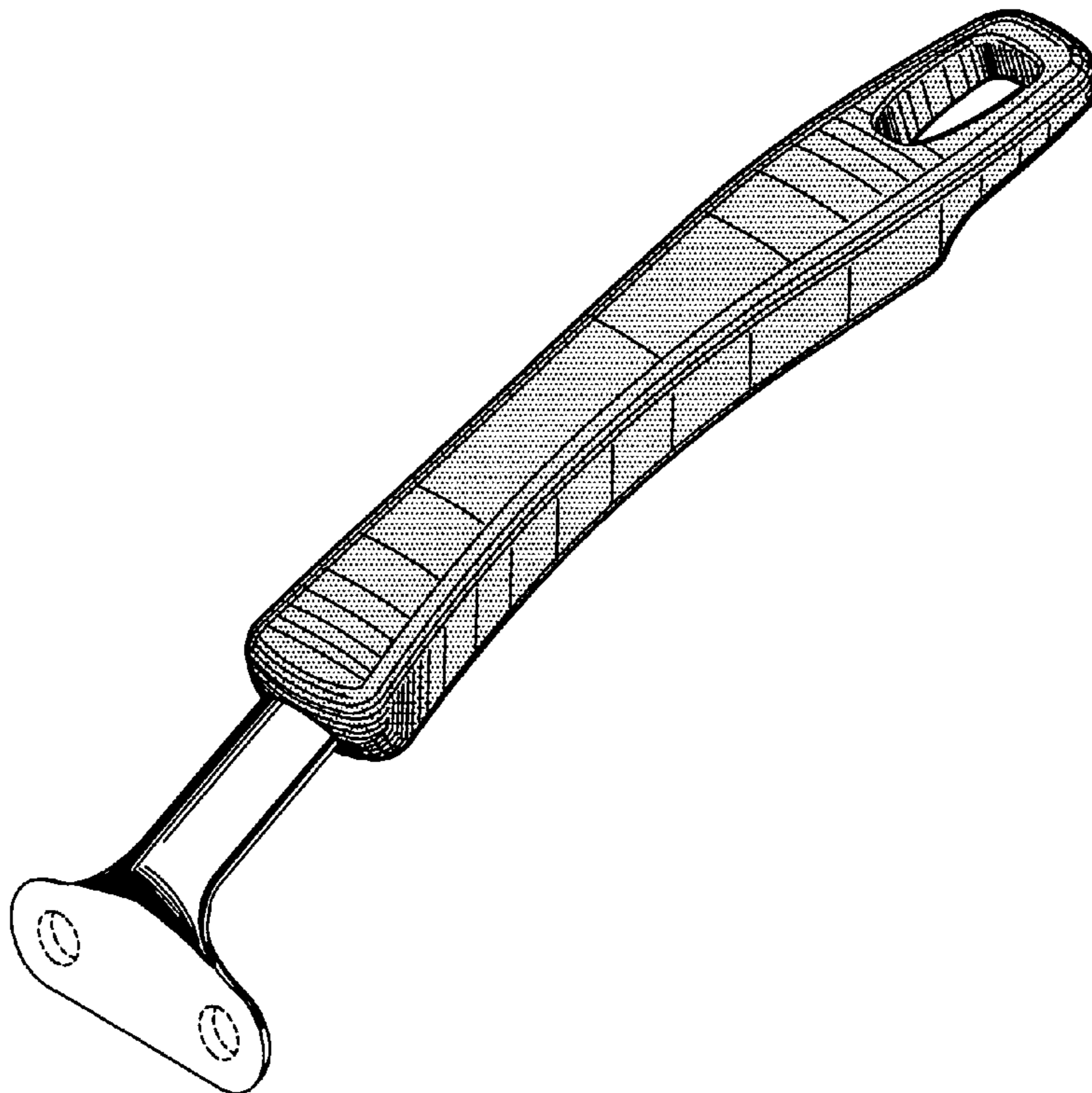
FIG. 4 is a side elevation view thereof;

FIG. 5 is a bottom plan view thereof; and,

FIG. 6 is a back elevation view.

The broken lines in FIGS. 1, 2, 3, 5 and 6, are for illustrative purposes only, depicting the environment of the new design, forming no part thereof as claimed.

1 Claim, 3 Drawing Sheets



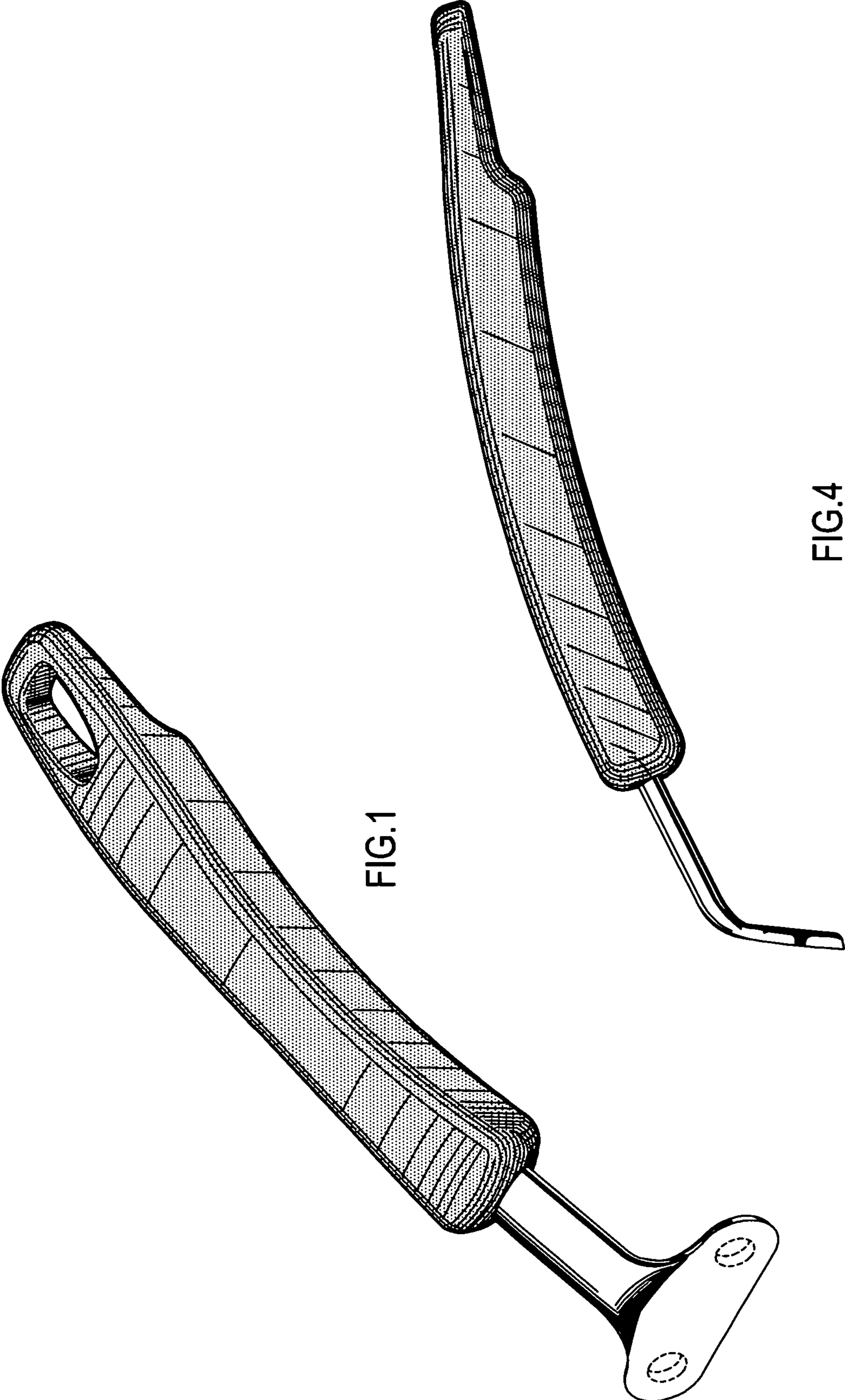


FIG.1

FIG.4

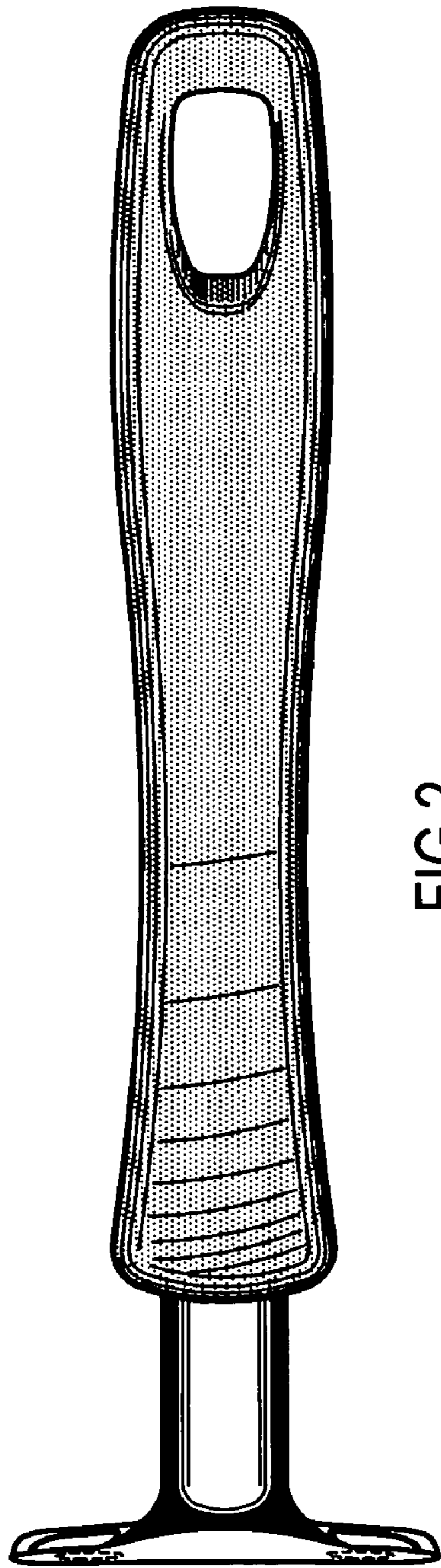


FIG. 2

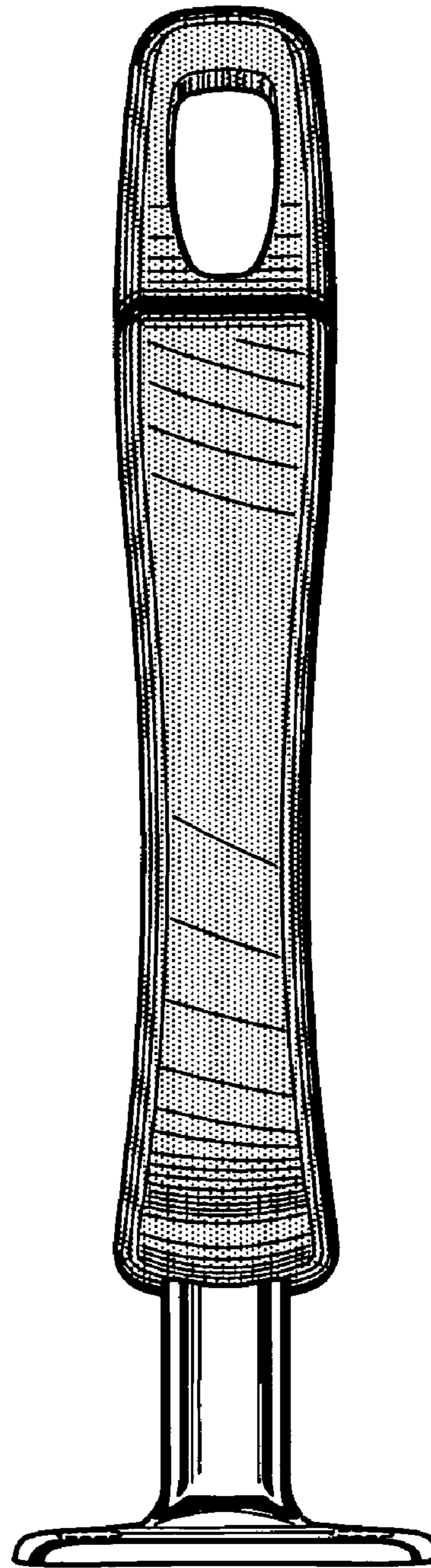


FIG. 5

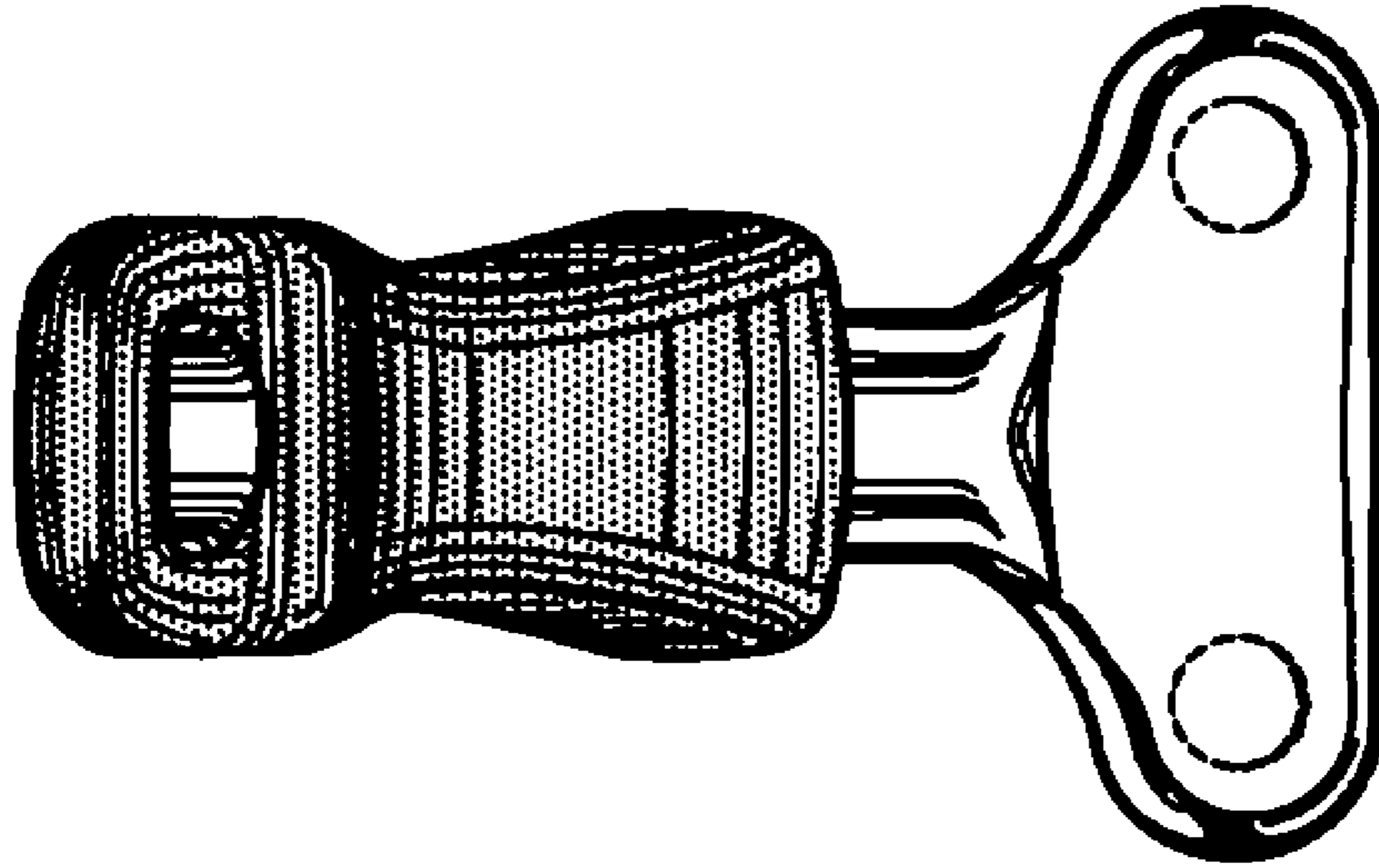


FIG. 6

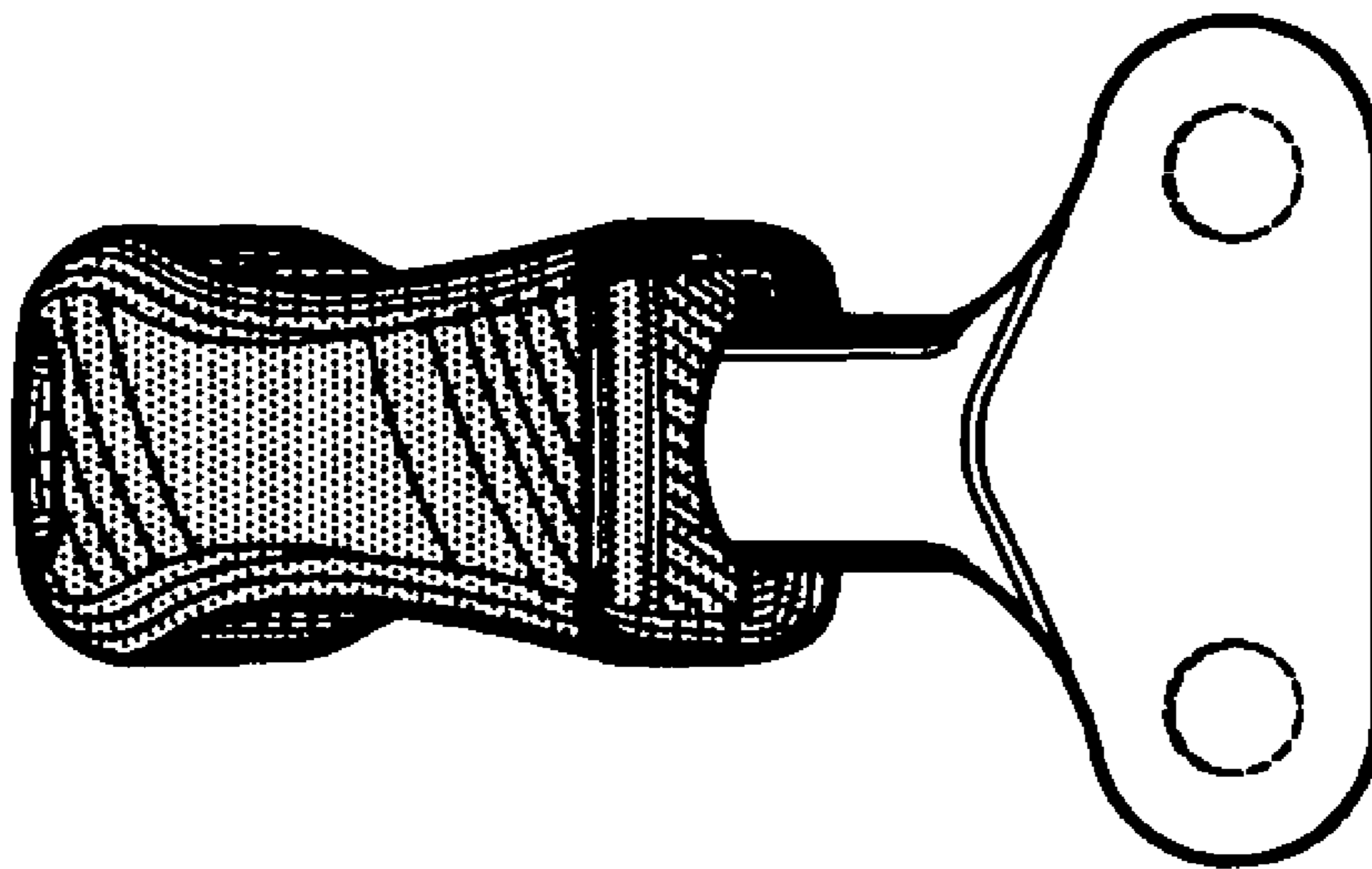


FIG. 3