



US00D635395S

(12) **United States Design Patent**
Johnson

(10) **Patent No.:** **US D635,395 S**

(45) **Date of Patent:** **** Apr. 5, 2011**

(54) **COOLER TOP LOCK**

(76) Inventor: **Phillip A. Johnson**, Atlanta, GA (US)

(**) Term: **14 Years**

(21) Appl. No.: **29/349,088**

(22) Filed: **Mar. 9, 2010**

(51) **LOC (9) Cl.** **07-99**

(52) **U.S. Cl.** **D7/392; D7/397**

(58) **Field of Classification Search** D7/397,

D7/313, 306, 391, 392, 605; 220/837, 902,

220/4.24; D9/443, 454; 215/209, 216

See application file for complete search history.

(56) **References Cited**

U.S. PATENT DOCUMENTS

3,208,620	A *	9/1965	Herdering	220/4.24
D228,602	S *	10/1973	Swett	D7/391
D273,463	S *	4/1984	Morris	D9/443
D311,620	S *	10/1990	Rose	D34/11
5,064,088	A *	11/1991	Steffes	220/837
D322,940	S *	1/1992	Rivera	D9/435
D348,836	S *	7/1994	McCallum et al.	D9/456
D358,289	S *	5/1995	Thies et al.	D7/306
D359,685	S *	6/1995	Luch	D9/438
D408,215	S *	4/1999	Williams	D7/387

5,992,657	A *	11/1999	Friedman	215/209
D462,269	S *	9/2002	Hunter et al.	D9/435
D530,141	S *	10/2006	Wilgus et al.	D7/313
D535,852	S *	1/2007	Ranzoni	D7/392
D565,412	S *	4/2008	Fuller	D9/503
D612,658	S *	3/2010	Schenk	D7/307
D619,456	S *	7/2010	Walters	D9/454

* cited by examiner

Primary Examiner — Marianne Pandozzi

(74) *Attorney, Agent, or Firm* — Rodgers & Rodgers

(57) **CLAIM**

The ornamental design for a cooler top lock, as shown and described.

DESCRIPTION

FIG. 1 is a perspective view of a cooler top lock showing my new design;

FIG. 2 is a front elevational view thereof;

FIG. 3 is a left-side elevational view thereof;

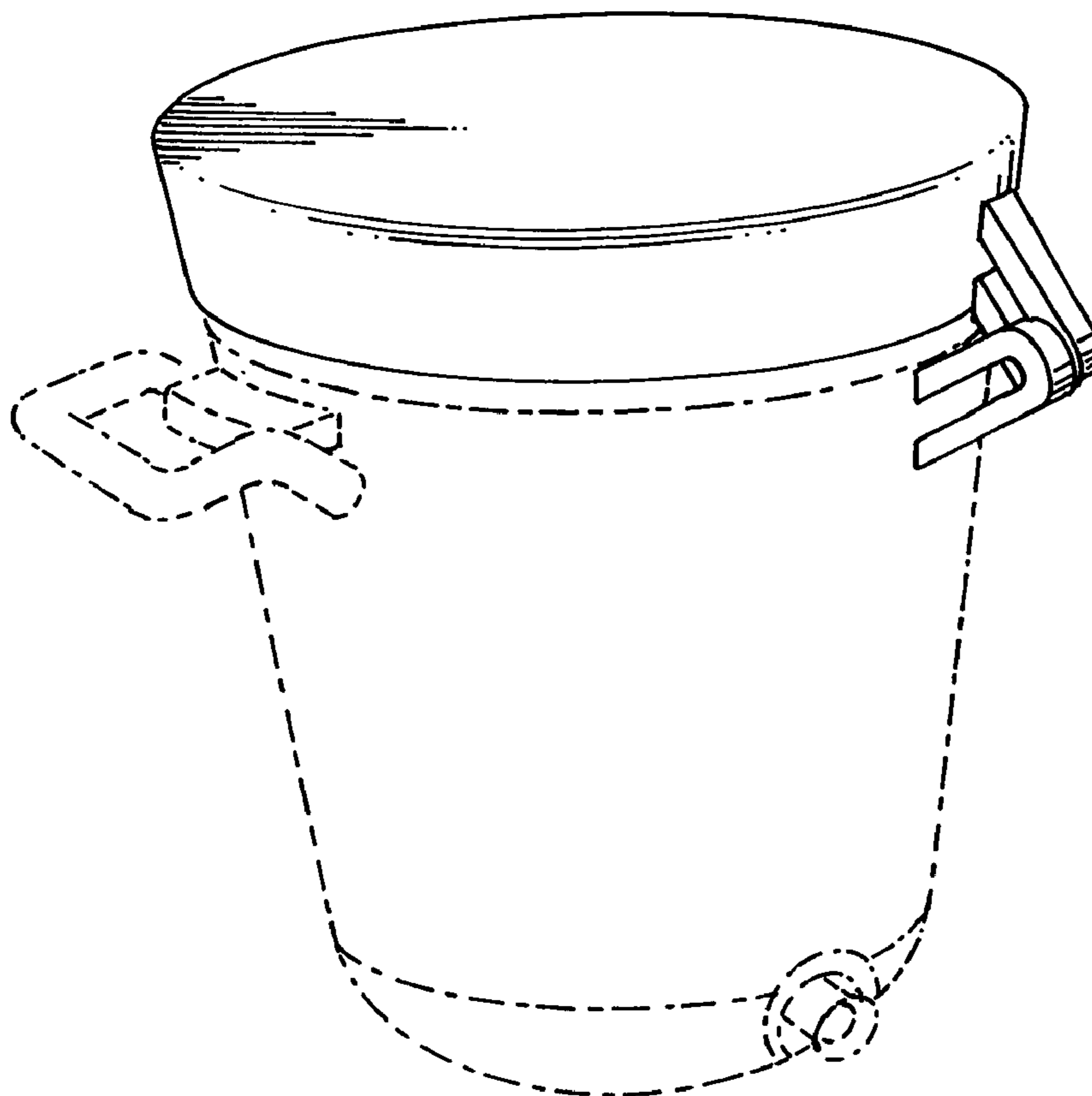
FIG. 4 is a right-side elevational view thereof;

FIG. 5 is a top plan view thereof; and,

FIG. 6 is a bottom plan view thereof.

The broken lines are for the purpose of illustrating environment and form no part of the claimed design.

1 Claim, 3 Drawing Sheets



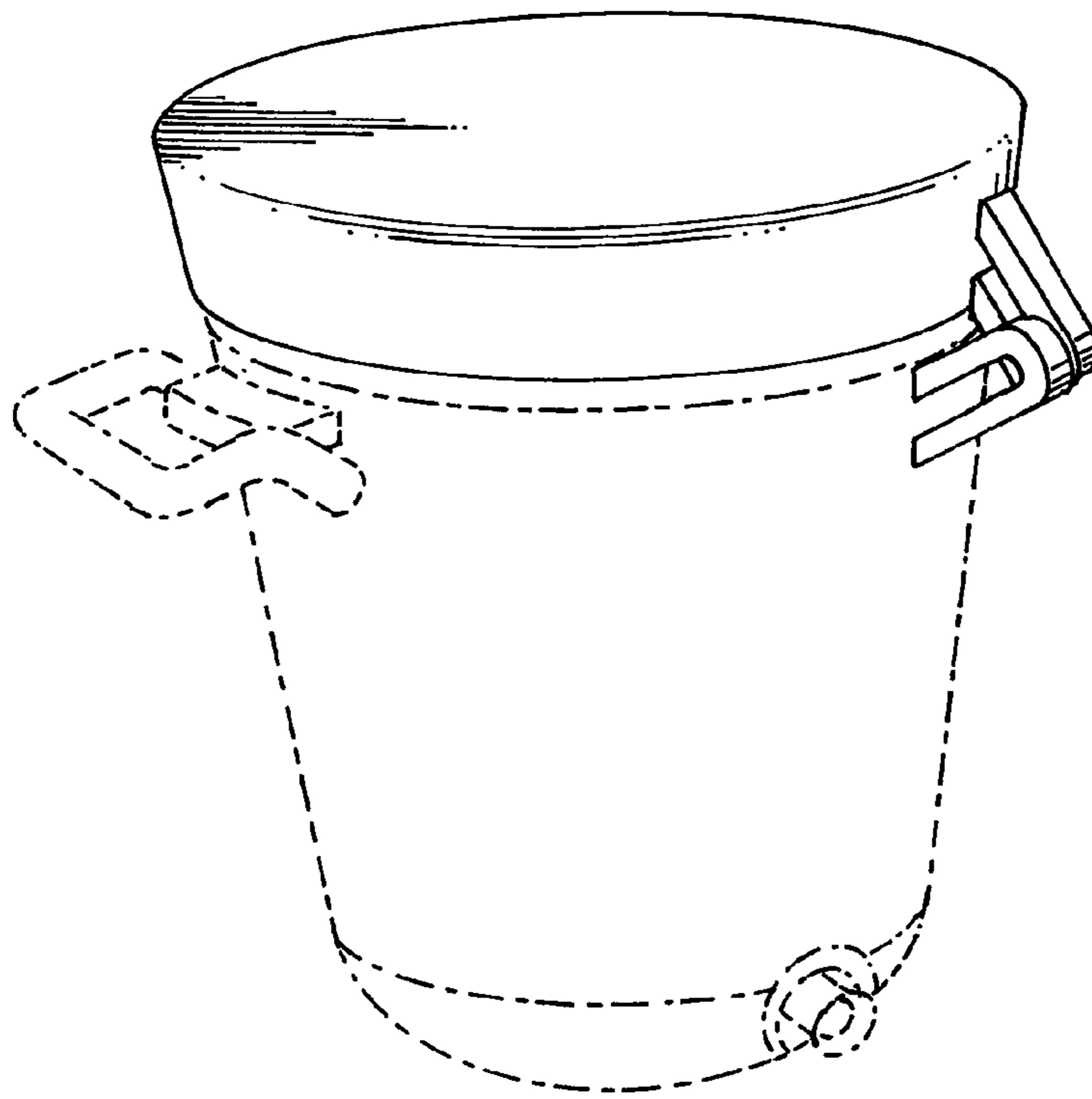


FIG. 1

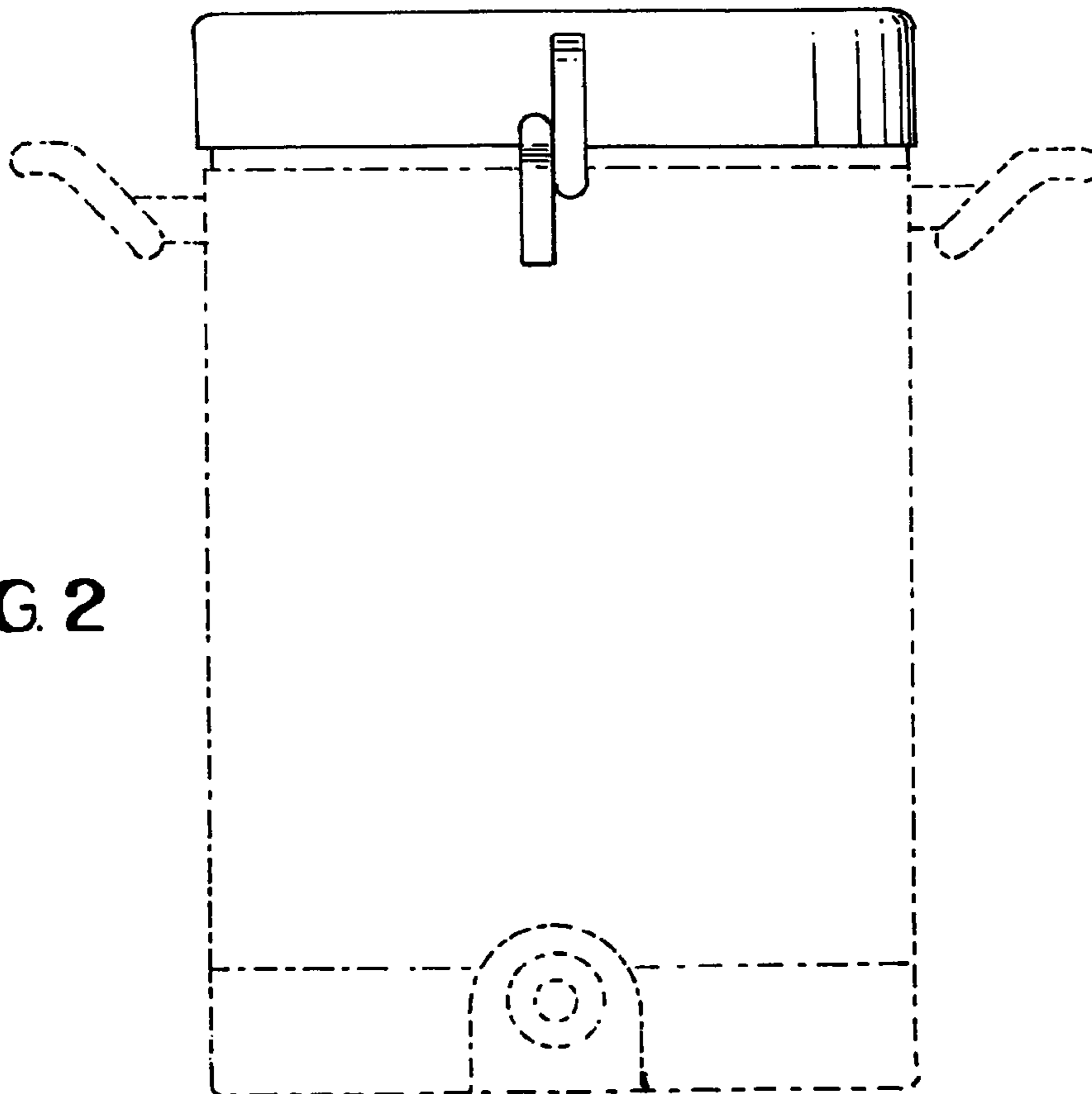


FIG. 2

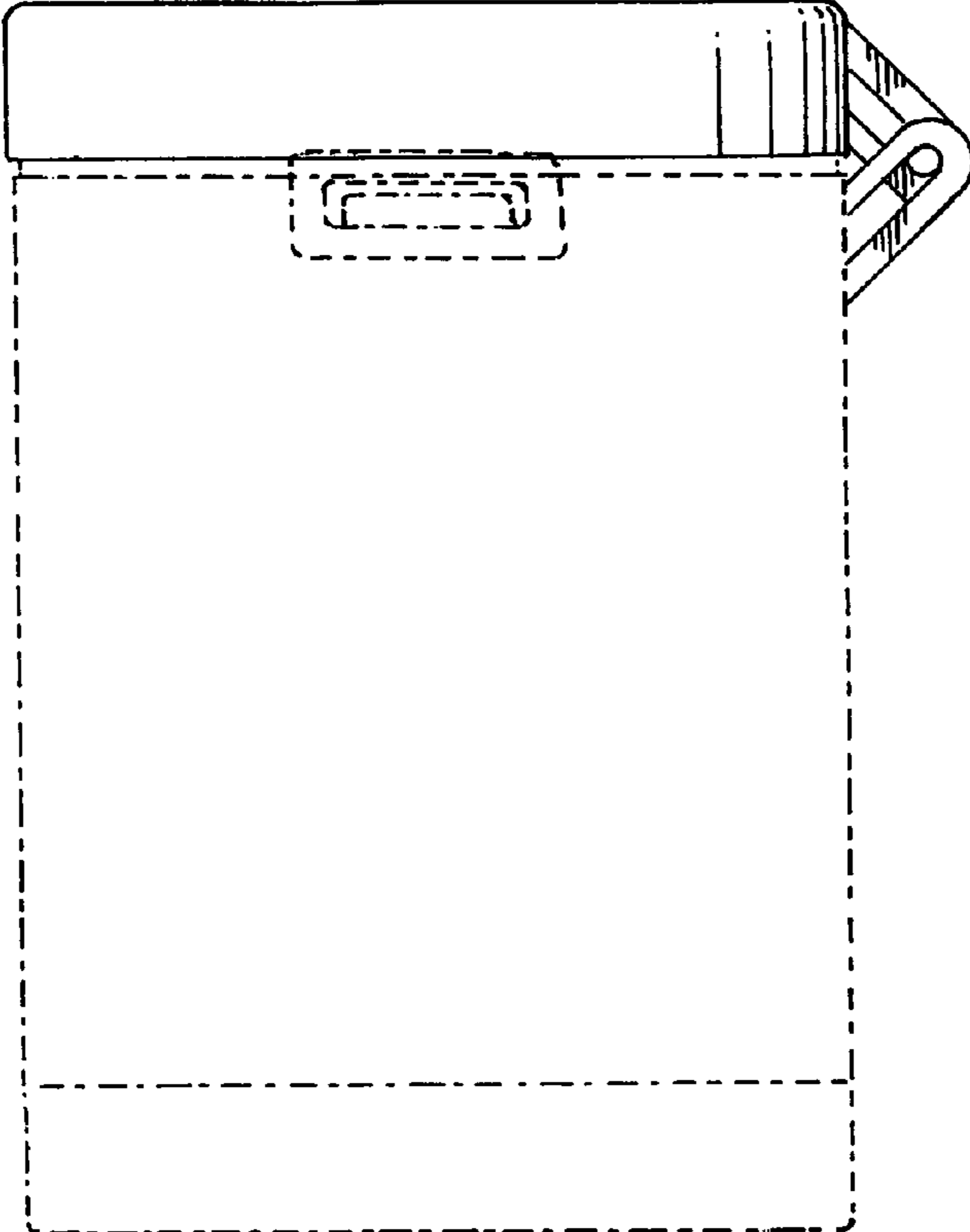


FIG. 3

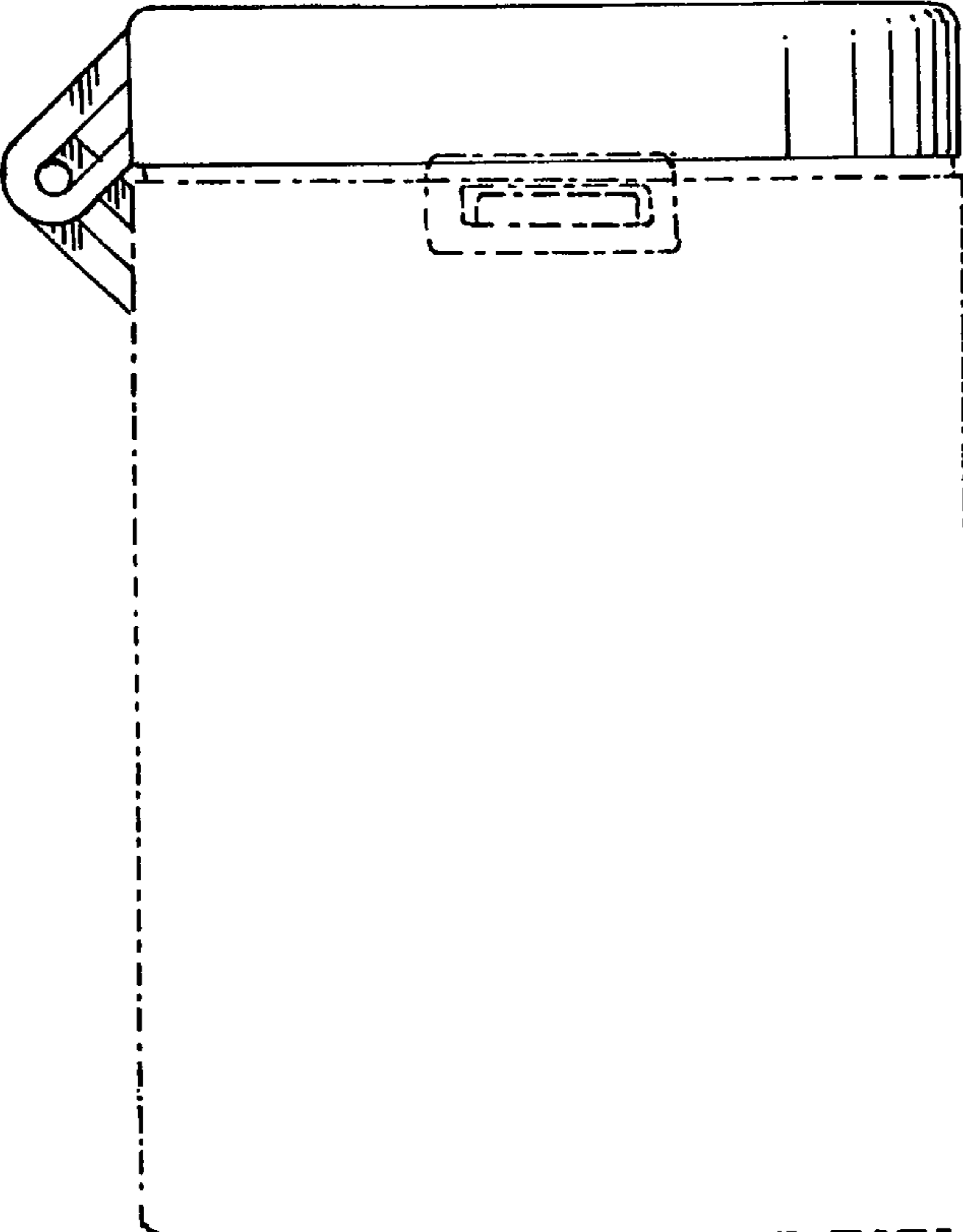


FIG. 4

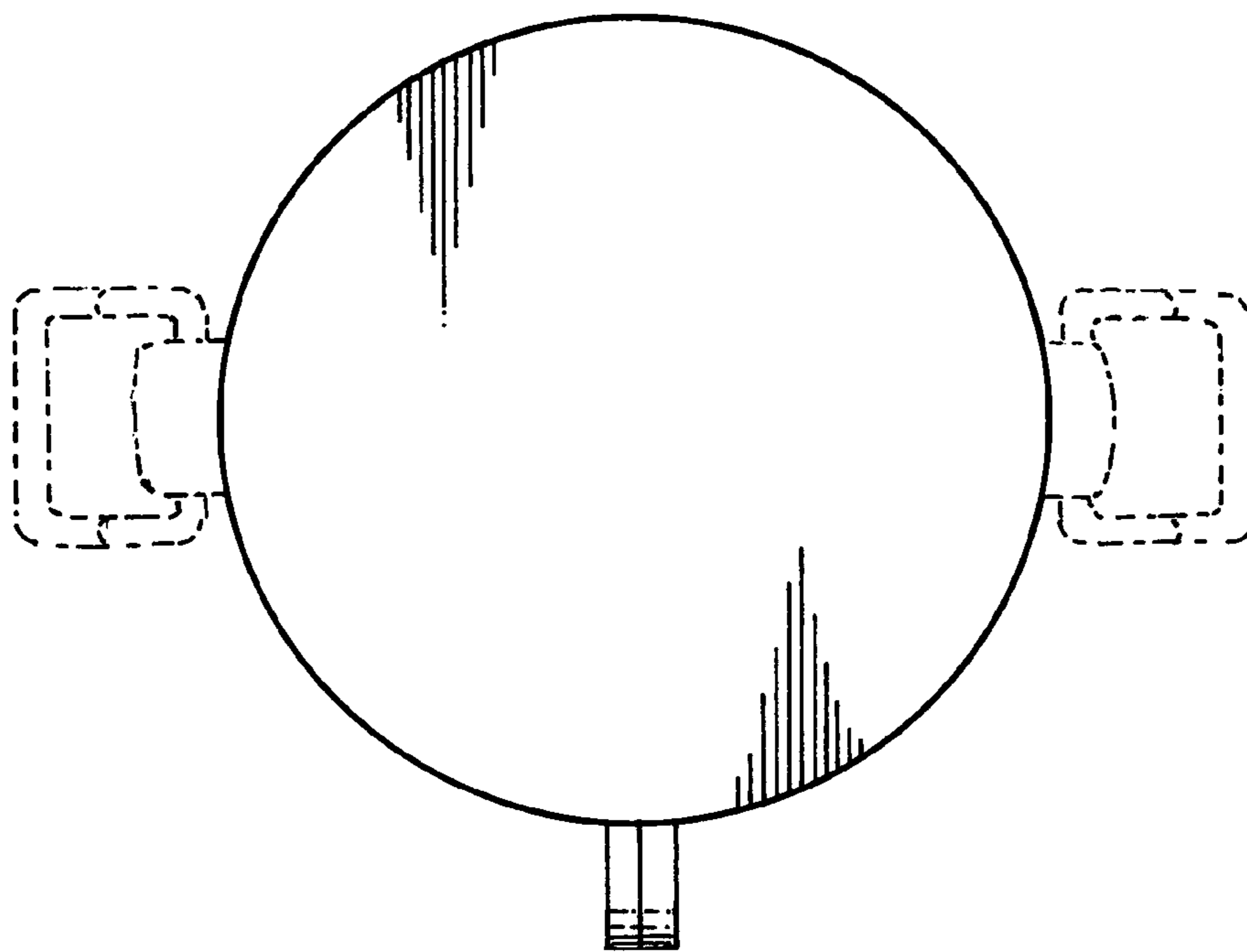


FIG. 5

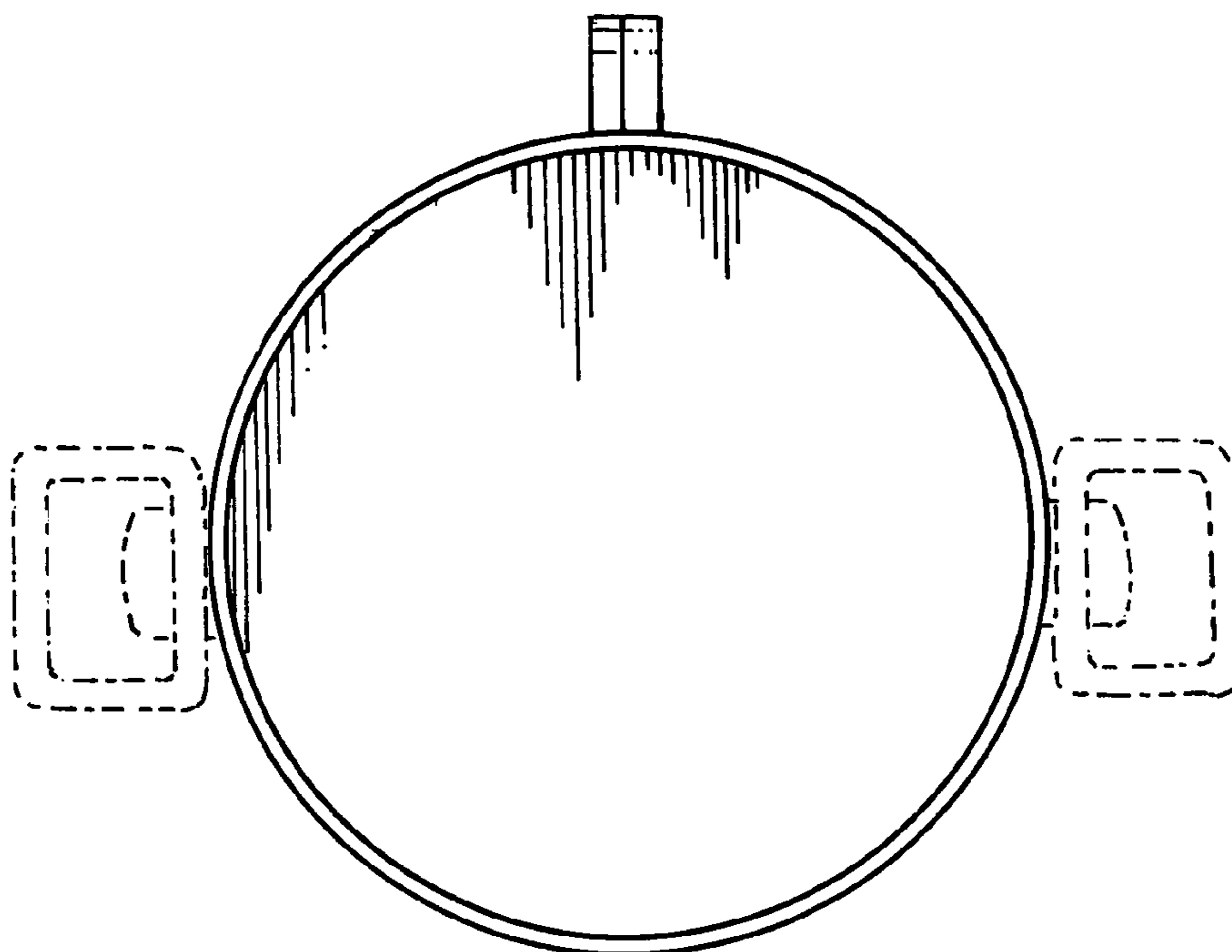


FIG. 6