



US00D635393S

(12) **United States Design Patent**
Nakatani

(10) **Patent No.:** **US D635,393 S**

(45) **Date of Patent:** **** Apr. 5, 2011**

- (54) **INSULATING COOKING DEVICE**
- (75) Inventor: **Shizuo Nakatani**, Osaka (JP)
- (73) Assignee: **Zojirushi Corporation** (JP)
- (**) Term: **14 Years**
- (21) Appl. No.: **29/375,012**
- (22) Filed: **Sep. 16, 2010**

D368,621	S	*	4/1996	Mano	D7/360
D376,724	S	*	12/1996	Mendelson et al.	D7/360
D416,166	S	*	11/1999	Hirose et al.	D7/360
6,263,787	B1	*	7/2001	Tseng et al.	99/413

FOREIGN PATENT DOCUMENTS

JP	D859480	1/1993
JP	D1123010	10/2001
JP	D1177679	6/2003
JP	D1331442	6/2008
JP	D1346281	12/2008

* cited by examiner

Primary Examiner — Ricky Pham

(74) *Attorney, Agent, or Firm* — SAIDMAN DesignLaw Group

(30) **Foreign Application Priority Data**

Mar. 29, 2010 (JP) 2010-007619

- (51) **LOC (9) Cl.** **07-02**
- (52) **U.S. Cl.** **D7/360; D7/354**
- (58) **Field of Classification Search** D7/309,
D7/323, 330-331, 339, 346-347, 350.1-350.4,
D7/354-363; 99/324-325, 331-332, 337-339,
99/369, 403-418; 219/438-442, 620-624,
219/725, 730-735; 426/438, 441
See application file for complete search history.

(57) **CLAIM**

The ornamental design for an insulating cooking device, as shown and described.

DESCRIPTION

FIG. 1 is a perspective view of an insulating cooking device showing my new design;
 FIG. 2 is an exploded perspective view of my design including its inner cooking pan and lid, shown separately for completeness of illustration;
 FIG. 3 is a front view of FIG. 1;
 FIG. 4 is a rear view thereof;
 FIG. 5 is a left-side view, the right-side being a mirror image thereof;
 FIG. 6 is a top view thereof; and,
 FIG. 7 is a bottom view thereof.

1 Claim, 7 Drawing Sheets

(56) **References Cited**

U.S. PATENT DOCUMENTS

D160,070	S	*	9/1950	Carr	D7/360
D199,747	S	*	12/1964	Farber	D7/354
D250,385	S	*	11/1978	Babros et al.	D7/360
D335,422	S	*	5/1993	Mano et al.	D7/360
D338,132	S	*	8/1993	Chang	D7/356
D338,133	S	*	8/1993	Mano et al.	D7/360
5,251,542	A	*	10/1993	Itoh et al.	99/403

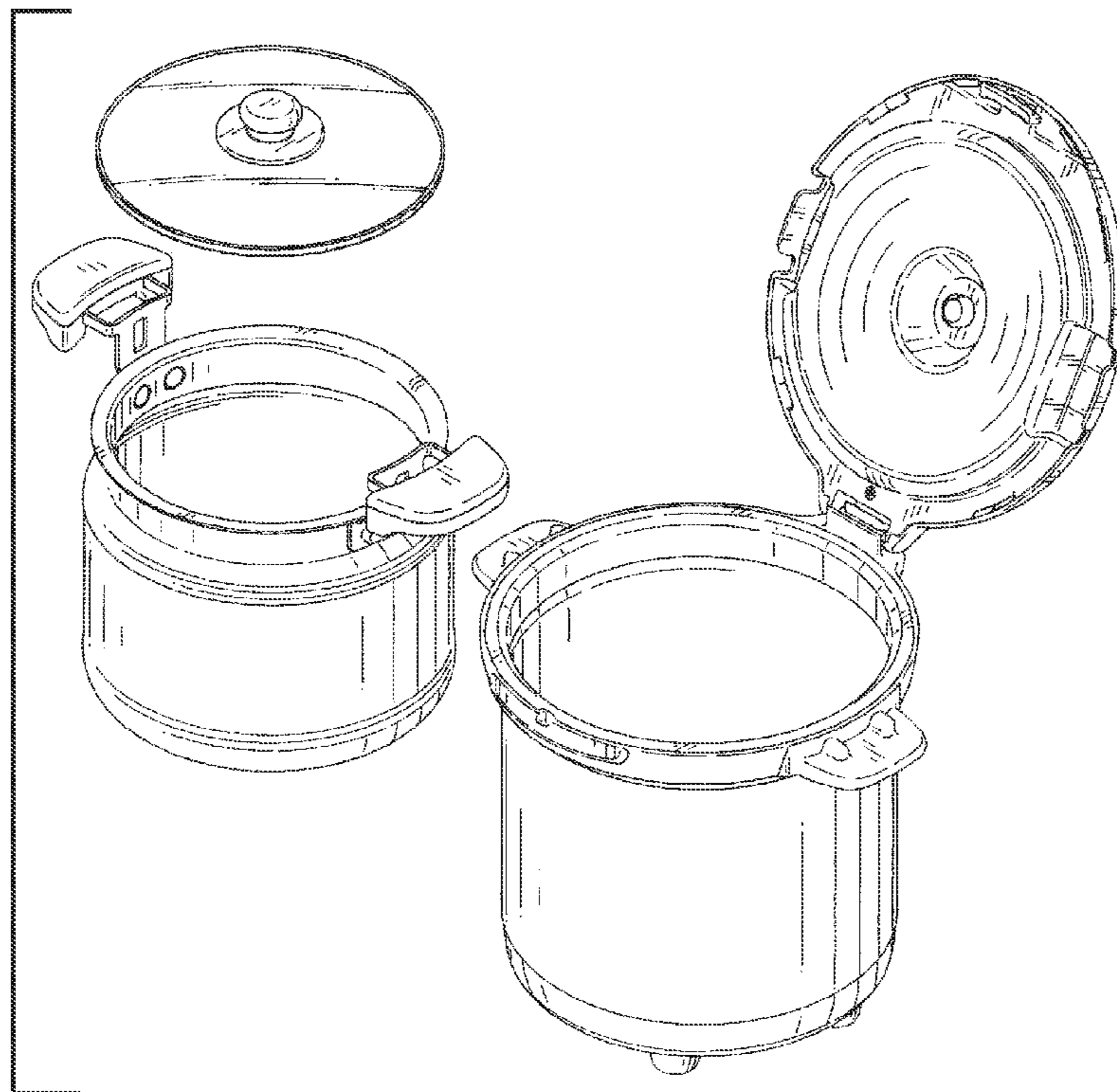


Fig. 1

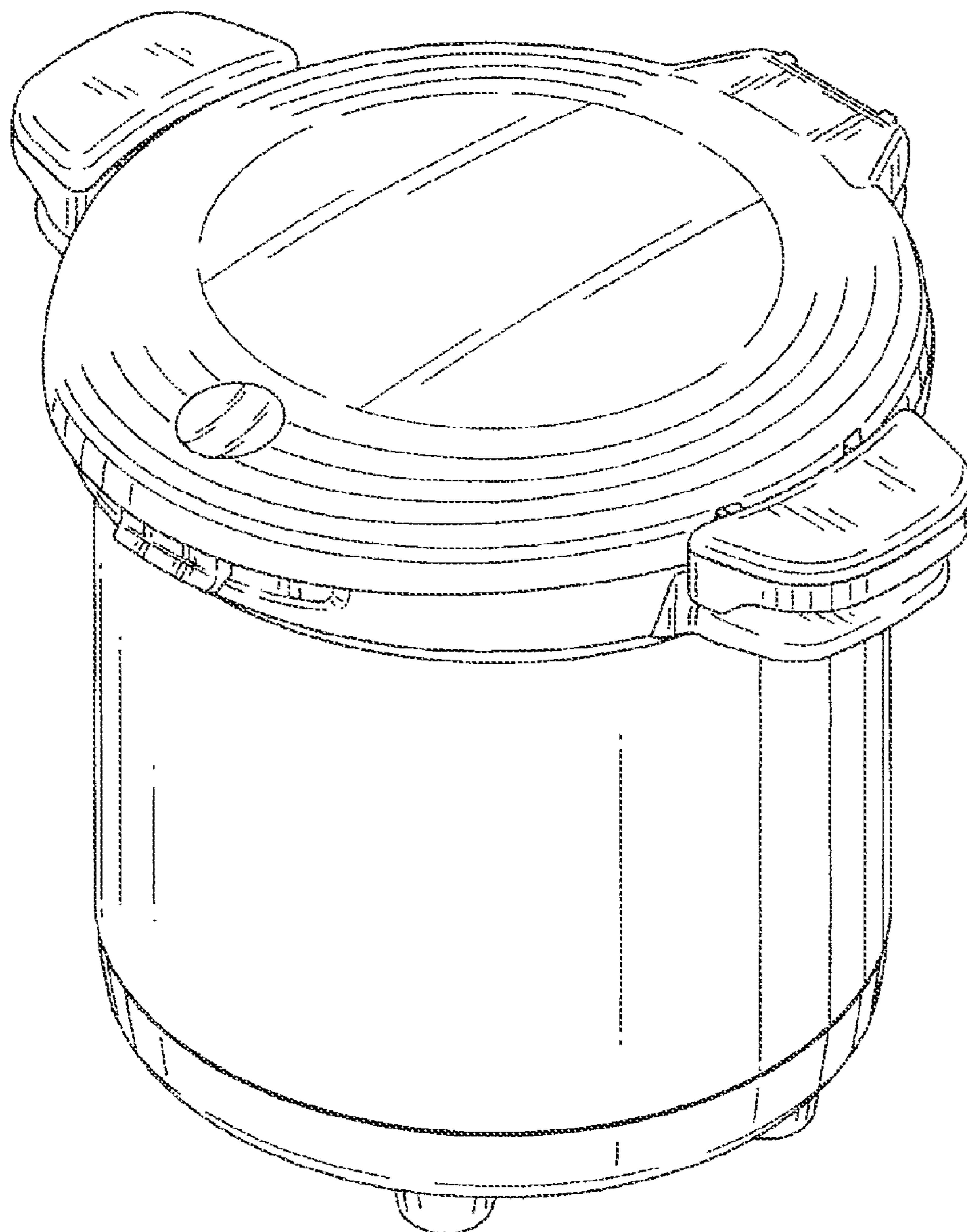


Fig. 2

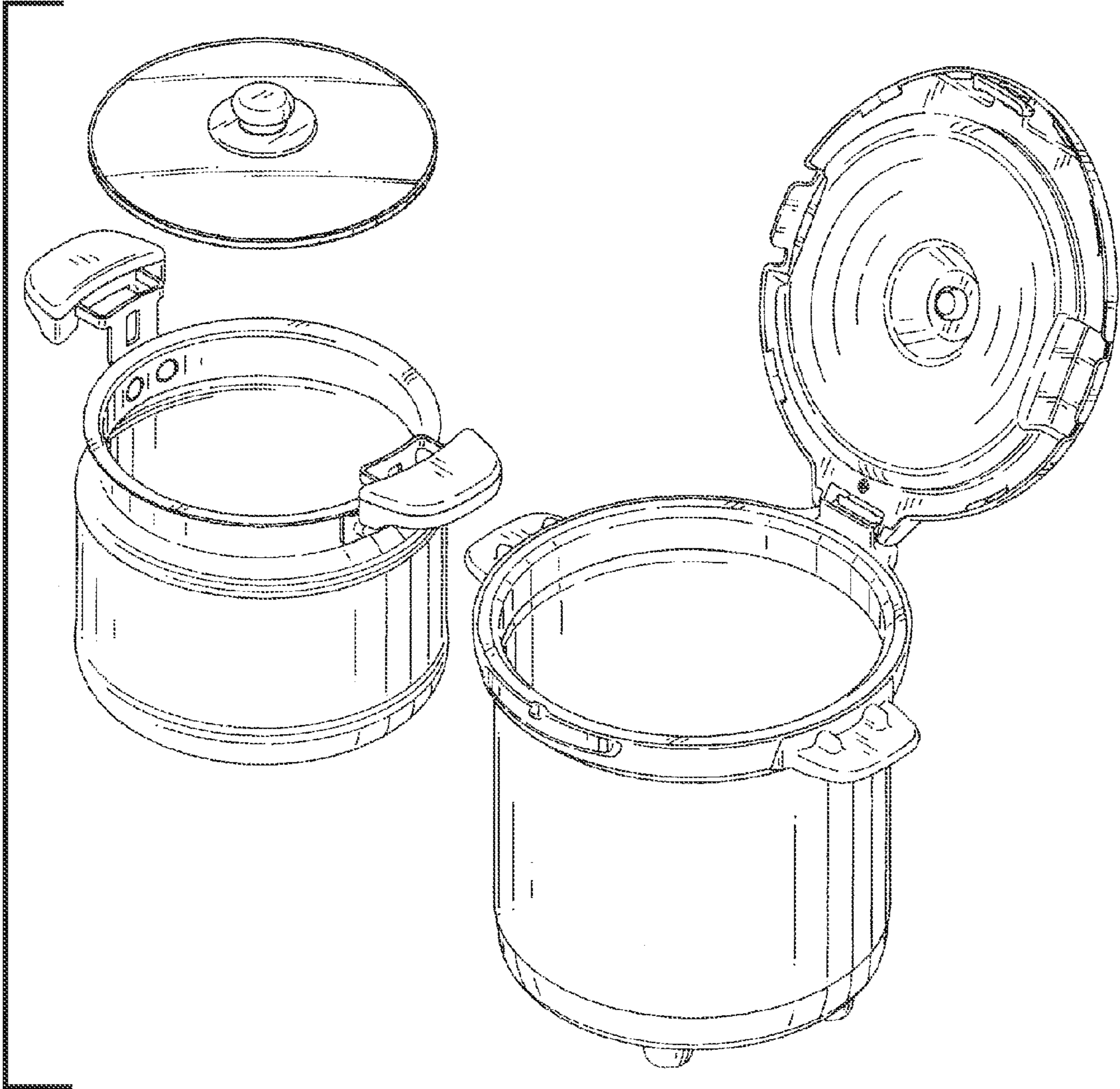


Fig. 3

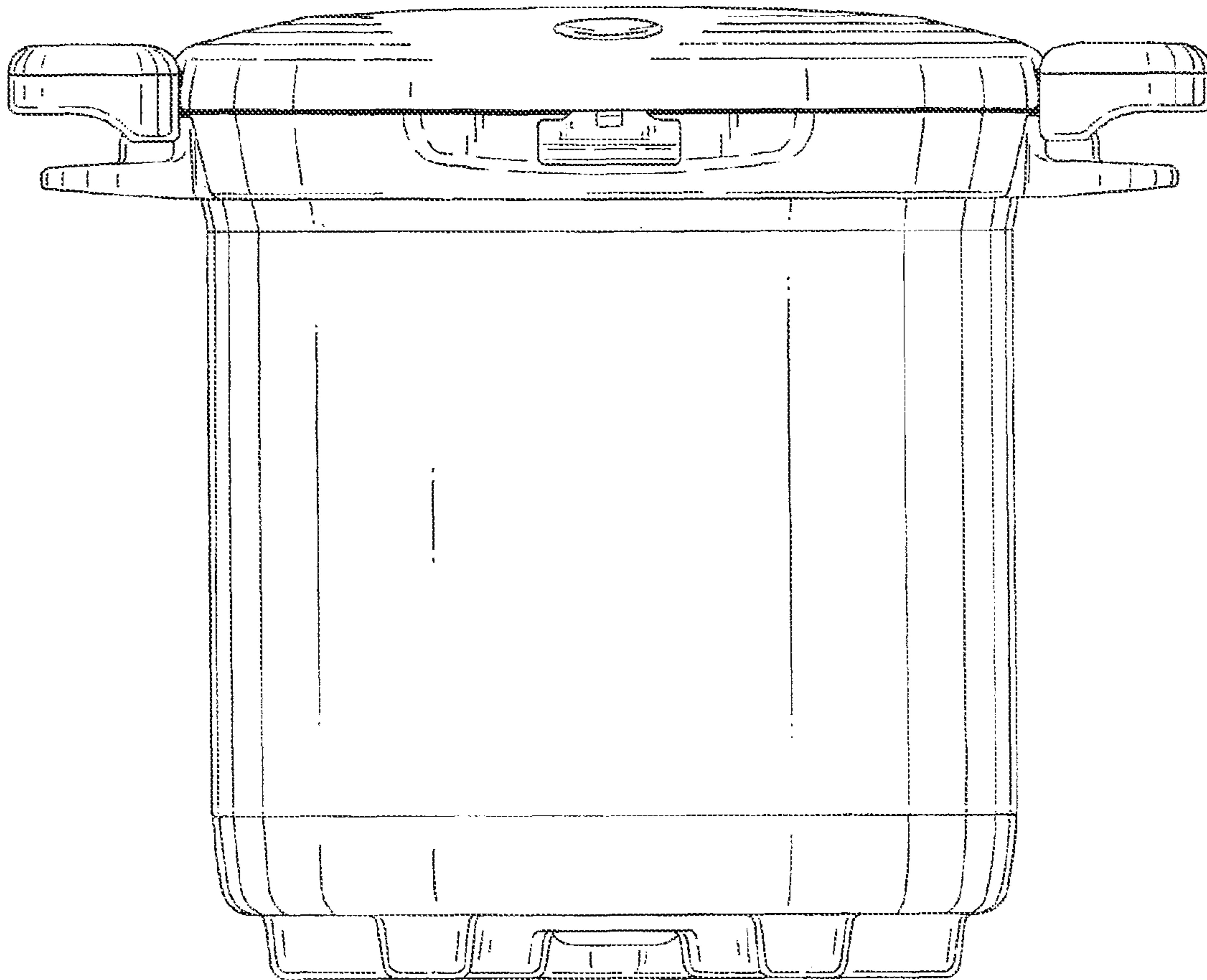


Fig. 4

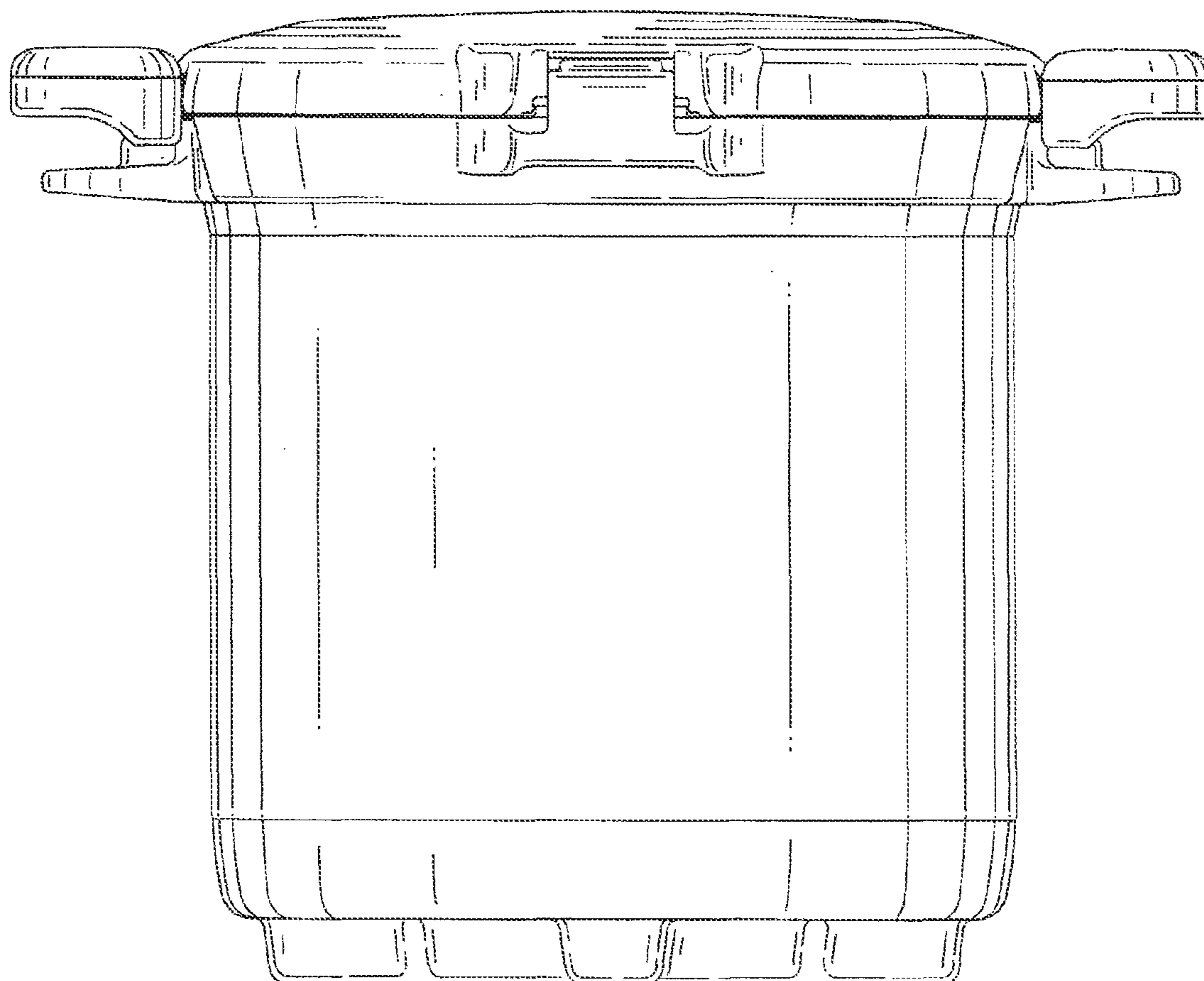


Fig. 5

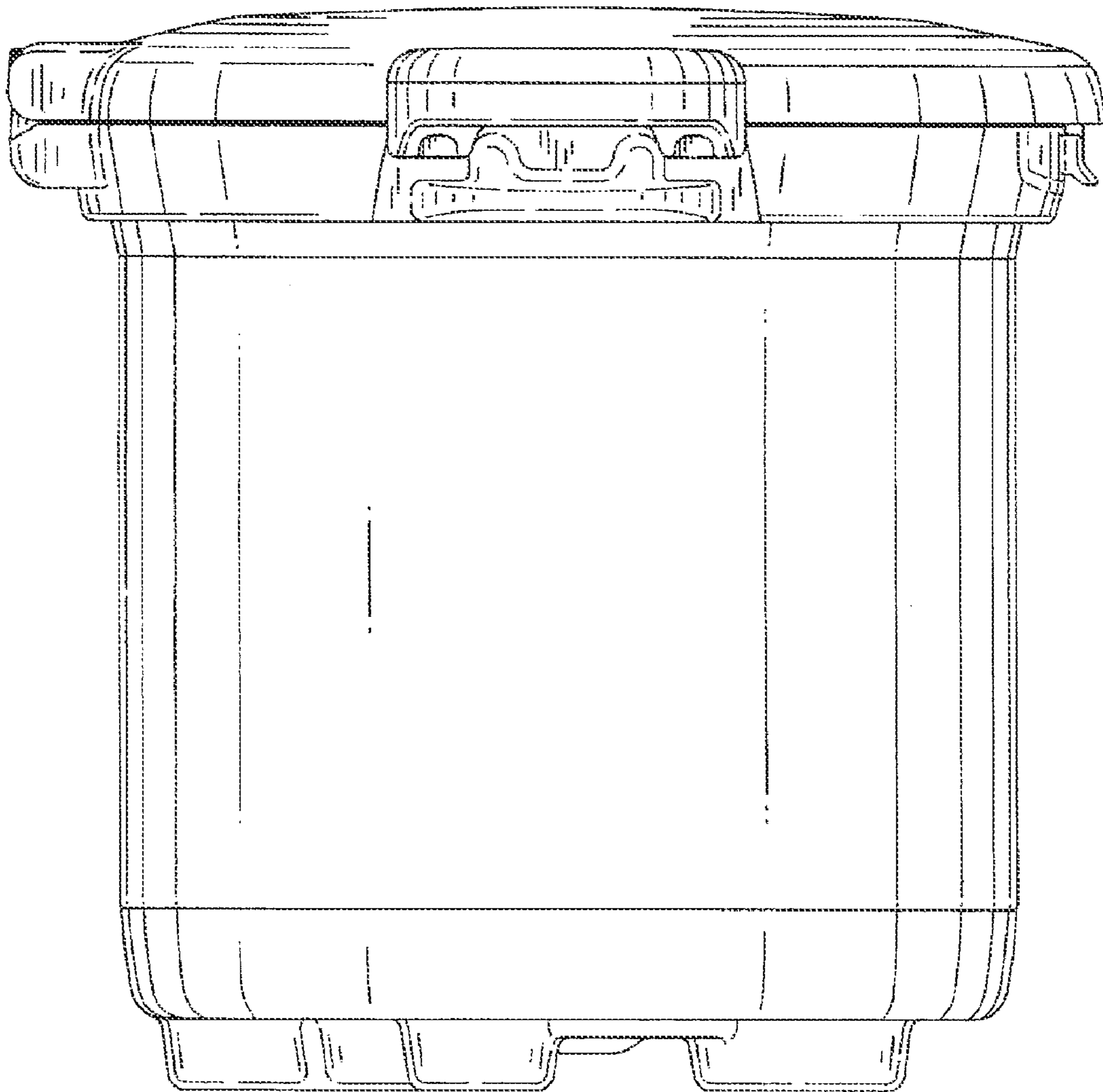


Fig. 6

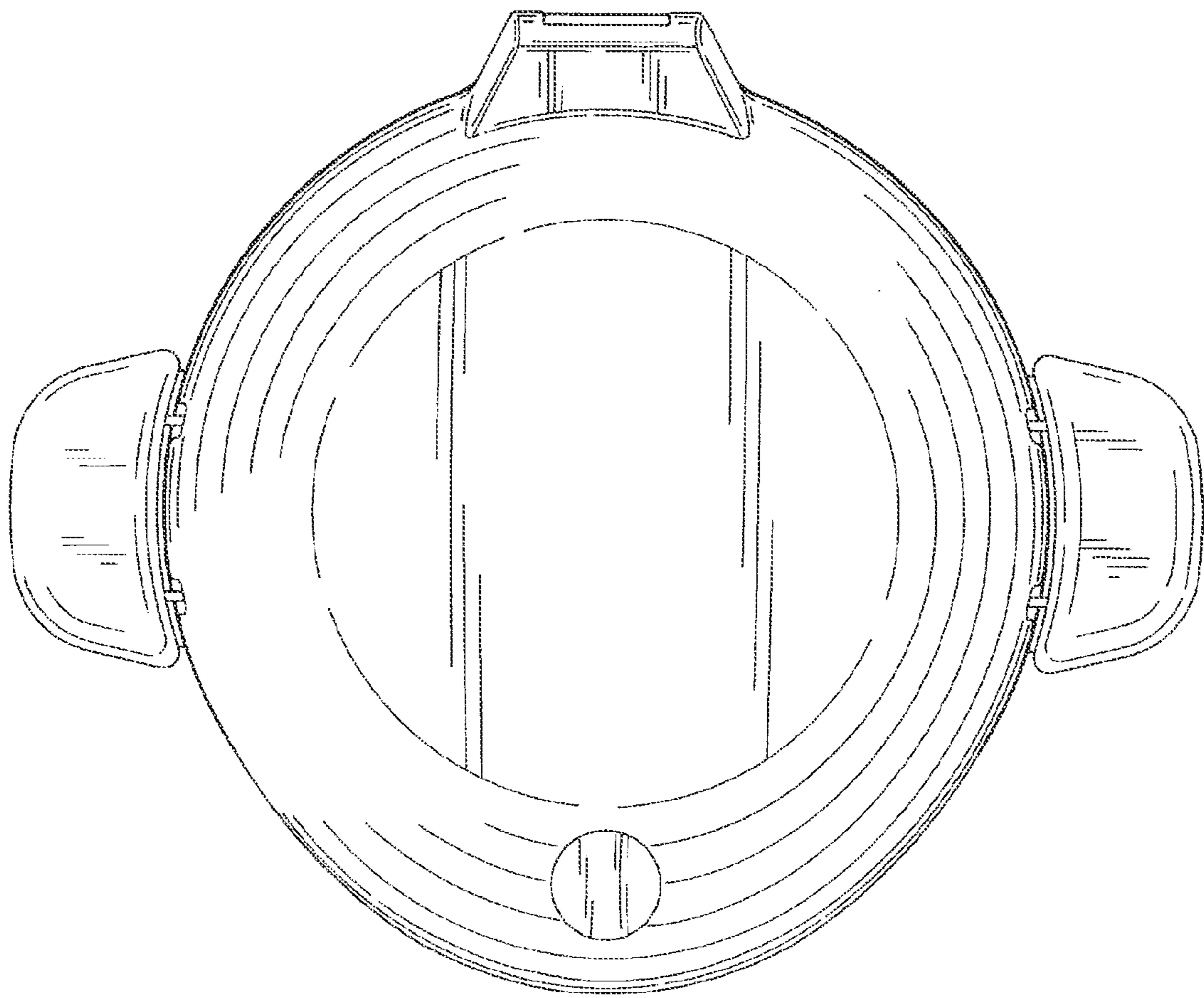


Fig. 7

