



US00D635392S

(12) **United States Design Patent**
Shantha et al.

(10) **Patent No.:** **US D635,392 S**

(45) **Date of Patent:** **** Apr. 5, 2011**

(54) **WOK**

(76) Inventors: **Totada R Shantha**, McDonough, GA (US); **Erica Maya Shantha**, McDonough, GA (US); **Jessica Gowramma Shantha**, McDonough, GA (US); **Usha T Shantha Martin**, Macon, GA (US); **Lauren Asha Shantha**, McDonough, GA (US)

(**) **Term:** **14 Years**

(21) **Appl. No.:** **29/362,657**

(22) **Filed:** **May 28, 2010**

(51) **LOC (9) Cl.** **07-02**

(52) **U.S. Cl.** **D7/354; D7/360**

(58) **Field of Classification Search** D7/323, D7/330-331, 339, 346-347, 354-363, 391, D7/393-396; 99/324-325, 331-332, 337-339, 99/369, 403-418; 219/432, 438-442, 620-624, 219/725, 730-735; 220/573.1-574, 912; 426/438, 520, 523

See application file for complete search history.

(56) **References Cited**

U.S. PATENT DOCUMENTS

D47,384 S *	5/1915	Khun et al.	D7/360
D176,589 S *	1/1956	Brandler	D7/360
D269,319 S *	6/1983	Fox	D7/360
D276,493 S *	11/1984	Cesaroni	D7/355
4,492,853 A *	1/1985	Lam	219/432
D434,269 S *	11/2000	Jo	D7/360
D436,287 S *	1/2001	Choi	D7/360
D438,422 S *	3/2001	Choi	D7/360
D453,091 S *	1/2002	Gouthiere	D7/360
D479,432 S *	9/2003	Barker	D7/360

D500,630 S *	1/2005	Brasset	D7/360
D525,479 S *	7/2006	Olsen et al.	D7/360
D623,007 S *	9/2010	Alden et al.	D7/354

* cited by examiner

Primary Examiner — Ricky Pham

(74) *Attorney, Agent, or Firm* — Patwrite LLC; Mark David Torche

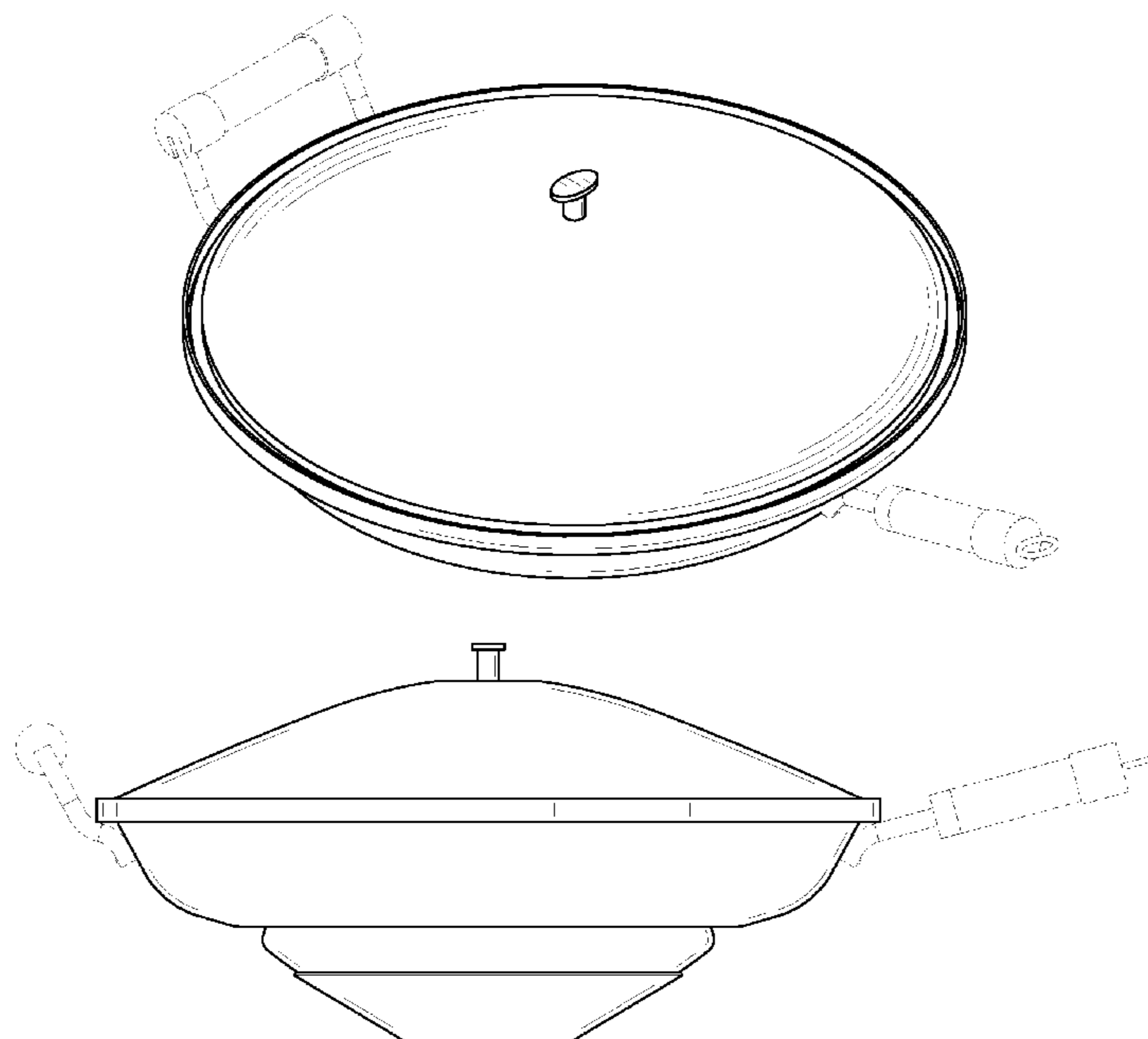
(57) **CLAIM**

The ornamental design for a wok, substantially as shown and described.

DESCRIPTION

FIG. 1 is a perspective view of a wok showing our new design; FIG. 2 is a perspective drawing of the wok shown in FIG. 1 with first cover removed and second cover in place; FIG. 3 is a perspective drawing of the wok shown in FIG. 1 with steamer insert; FIG. 4 is a perspective drawing of the wok shown in FIG. 1 with both covers removed; FIG. 5 is a top view with first cover in place; FIG. 6 is a top view with first cover removed and second cover in place; FIG. 7 is a top view with steamer in place; FIG. 8 is a top view with both covers removed; FIG. 9 is a perspective view showing the bottom thereof; FIG. 10 is a side view thereof; FIG. 11 is a bottom view thereof; FIG. 12 is a cross-sectional view taken through line 12—12 of FIG. 5, shown with both covers in place; and, FIG. 13 is a cross-sectional view taken through line 13—13 of FIG. 5, shown with the top cover and steamer in place. The broken lines are for illustrative purposes only and form no part of the claimed design.

1 Claim, 7 Drawing Sheets



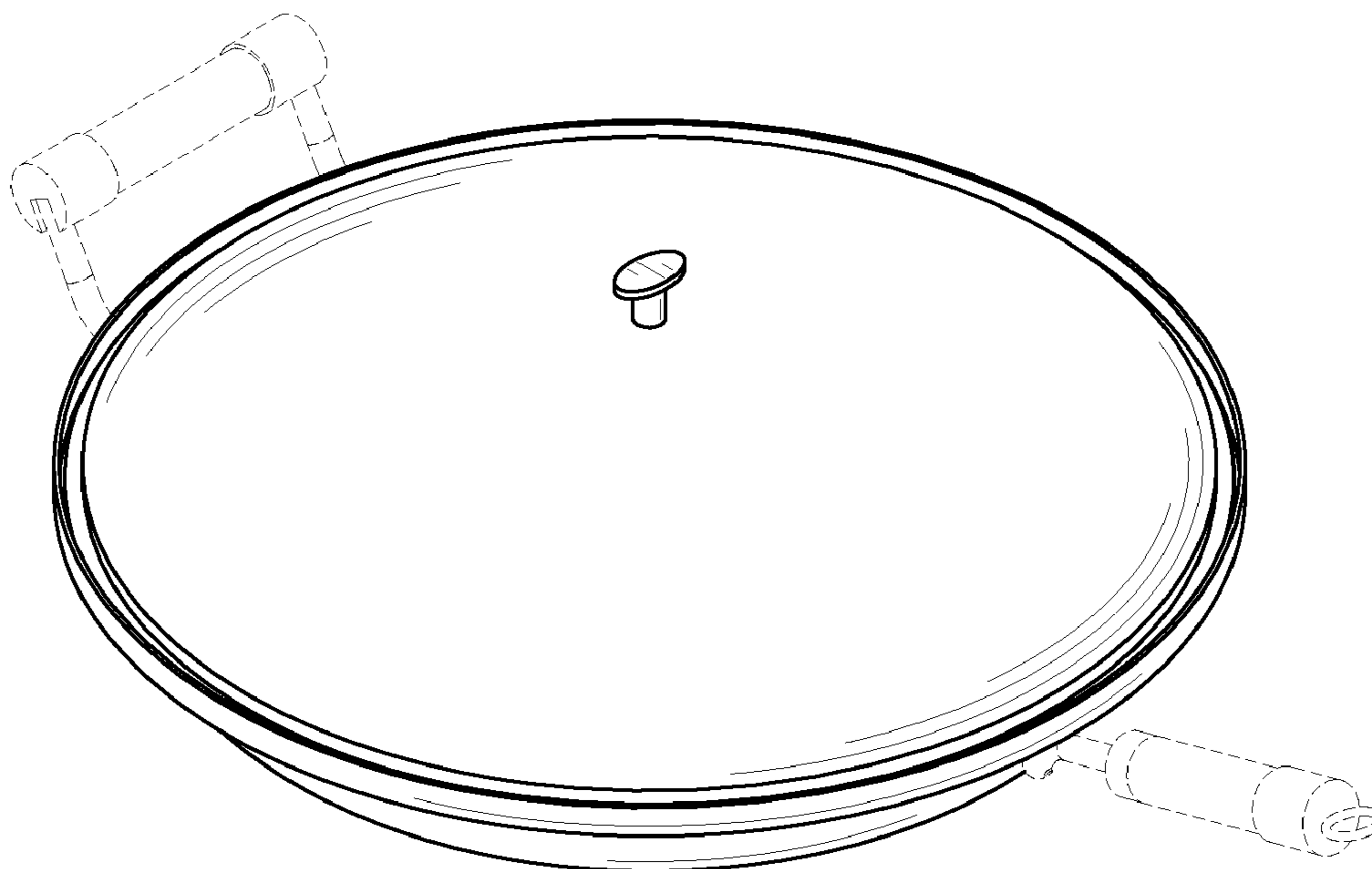


FIG. 1

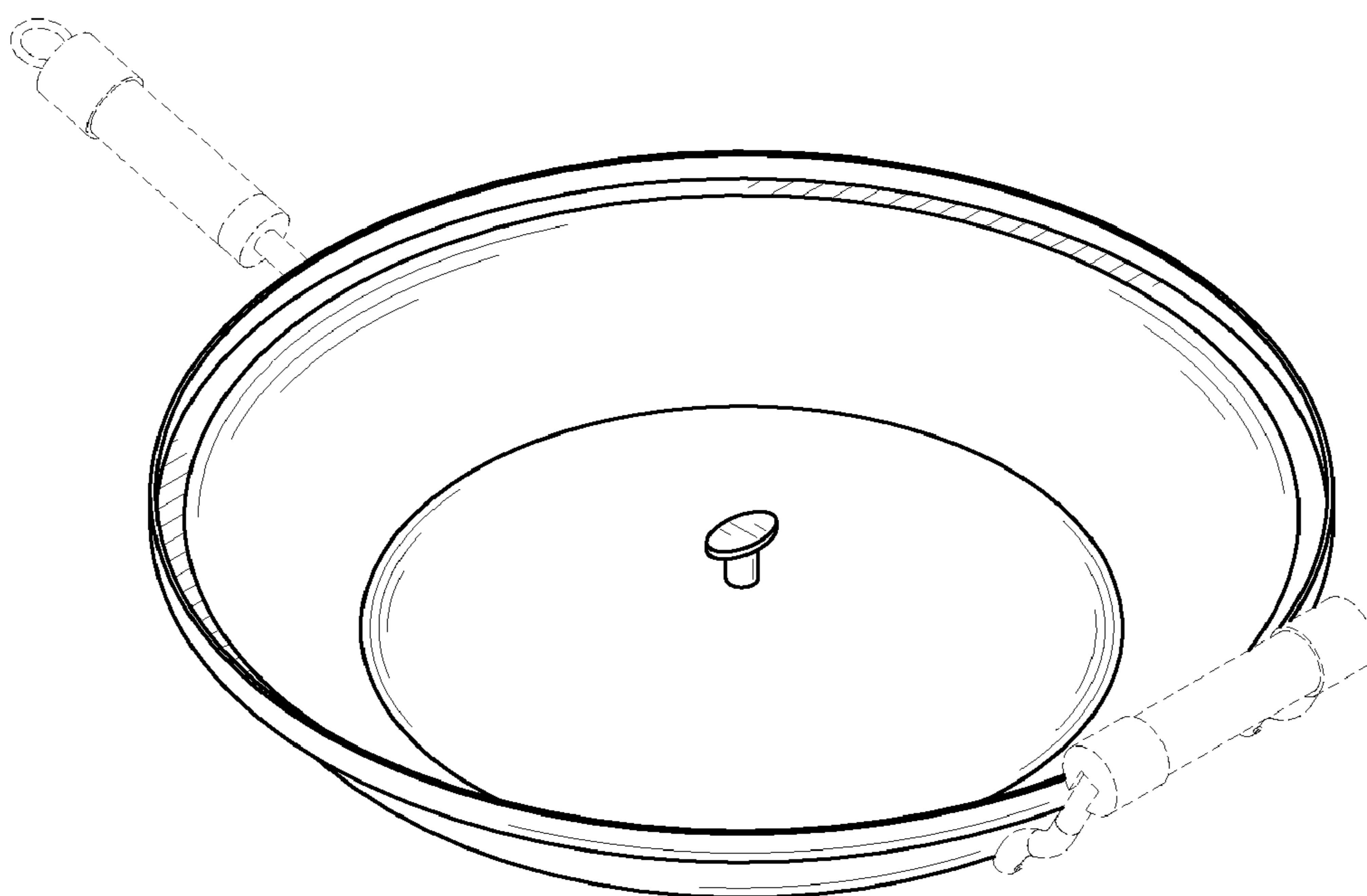


FIG. 2

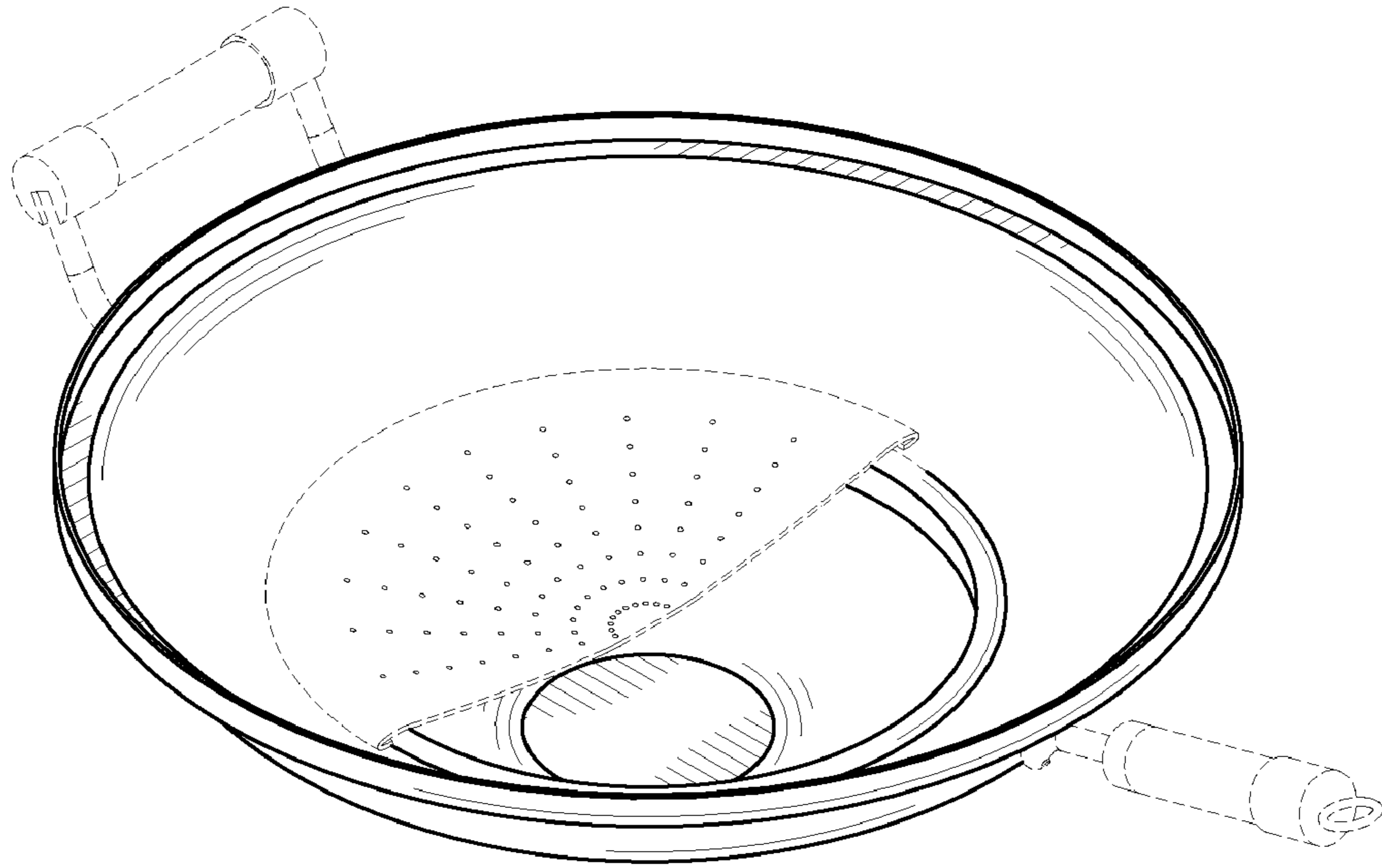


FIG. 3

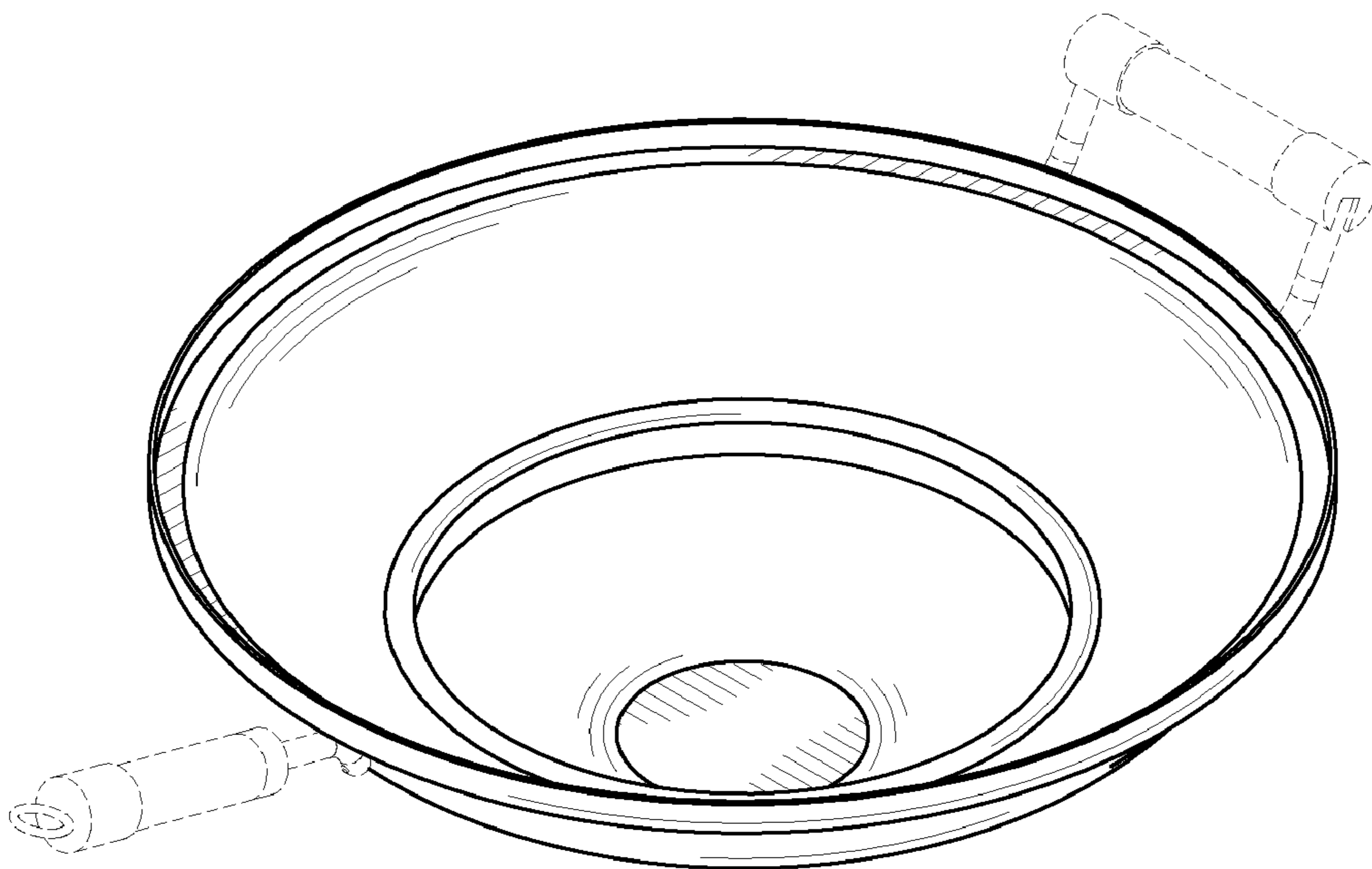
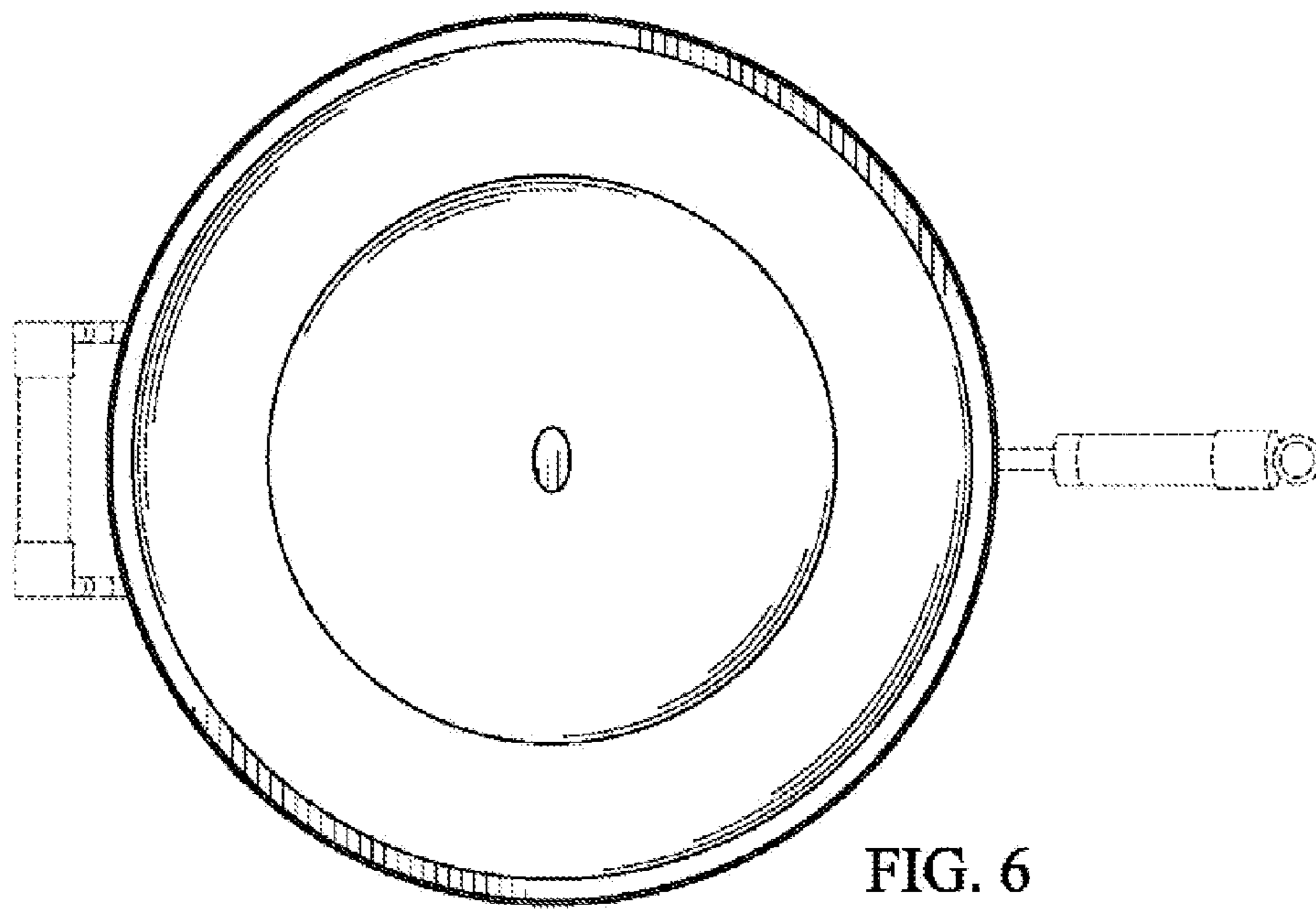
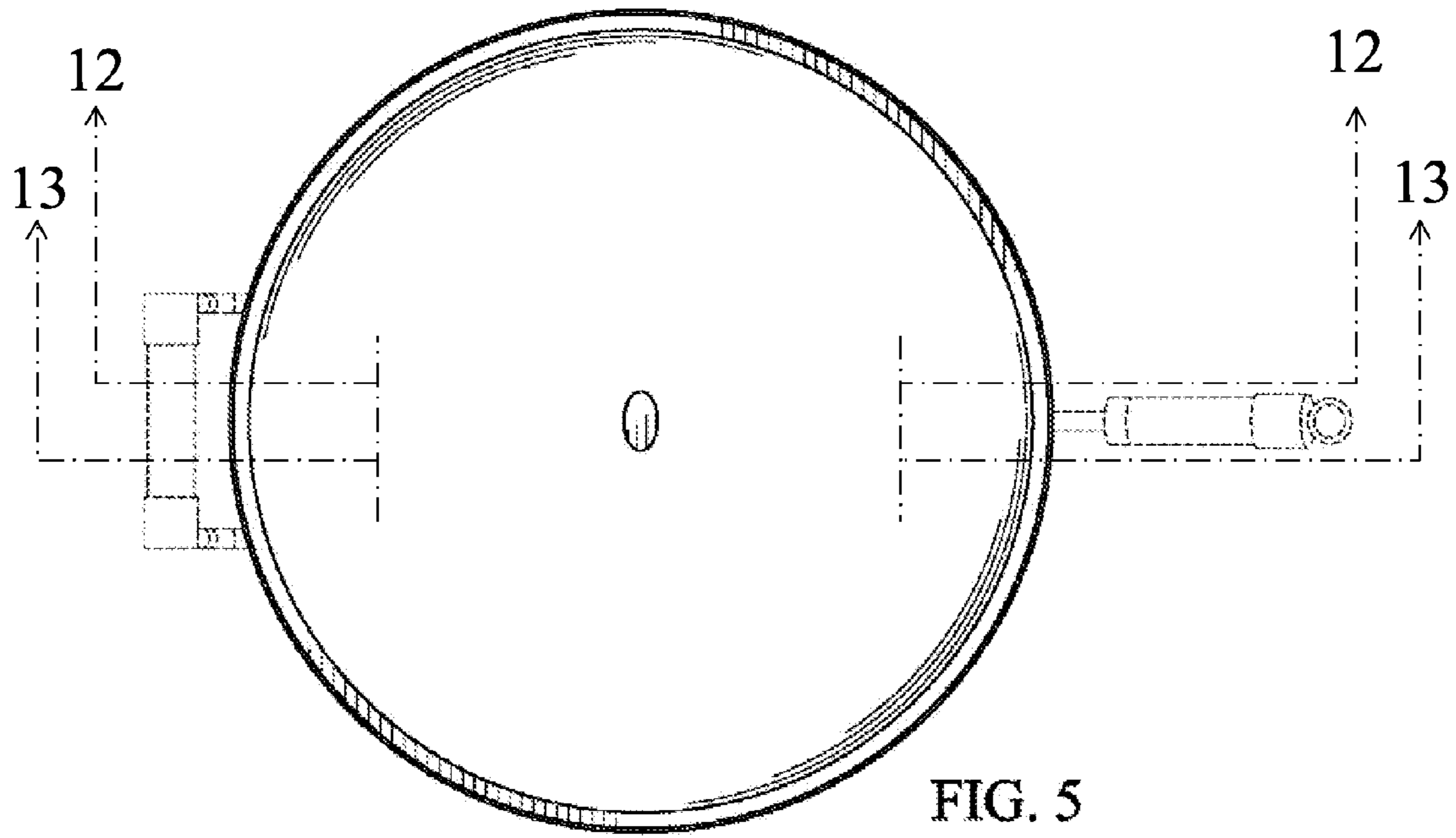


FIG. 4



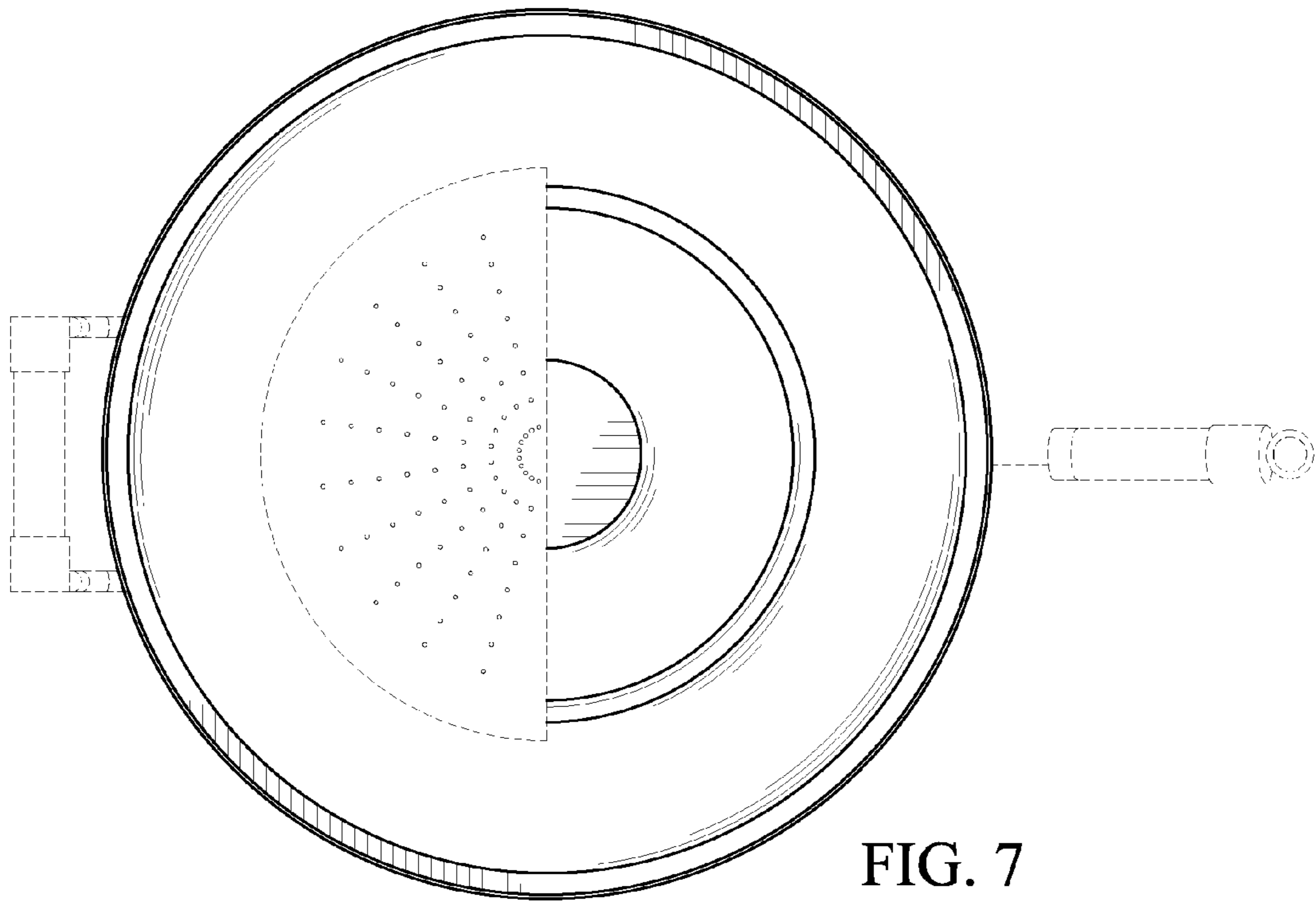


FIG. 7

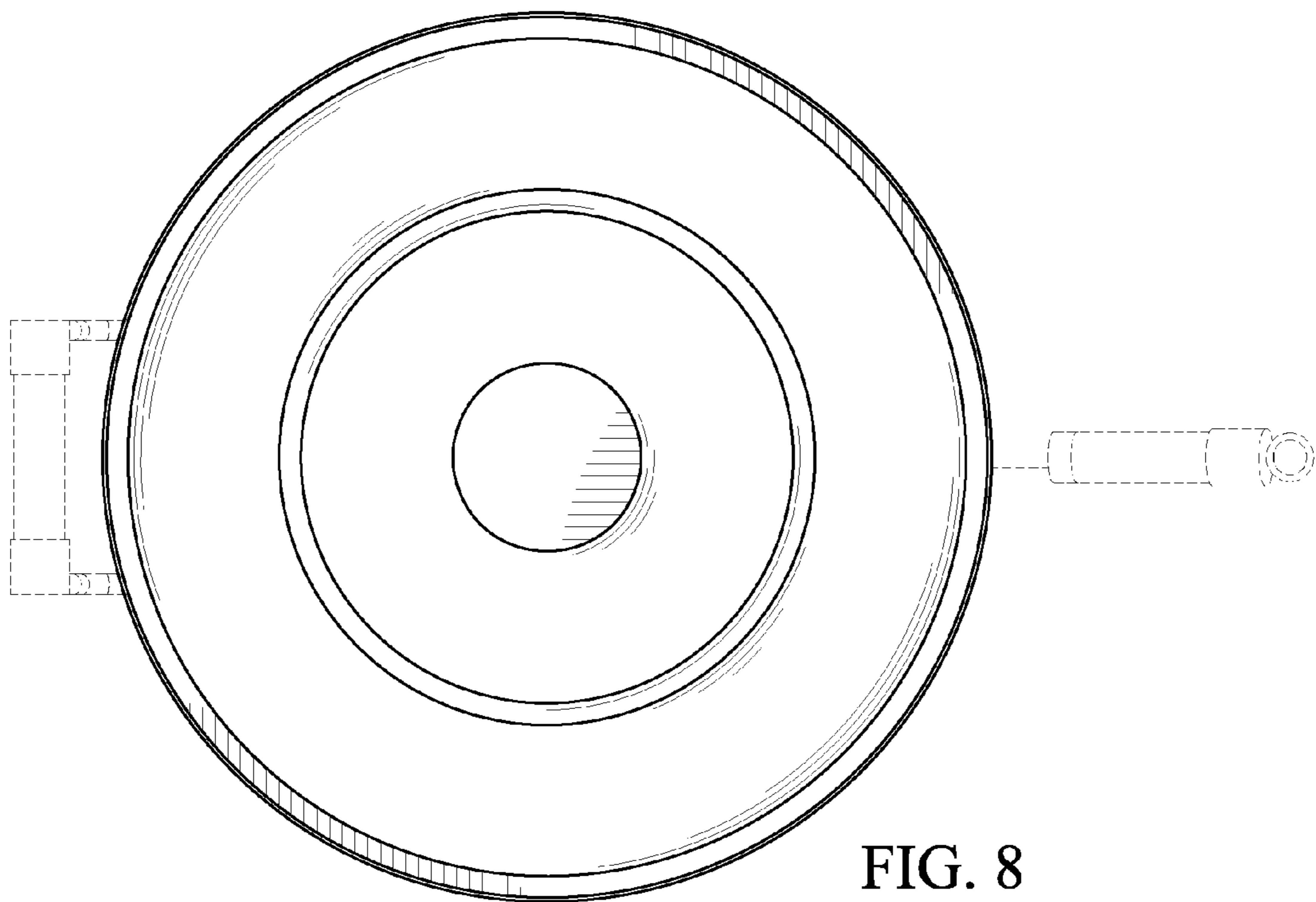


FIG. 8

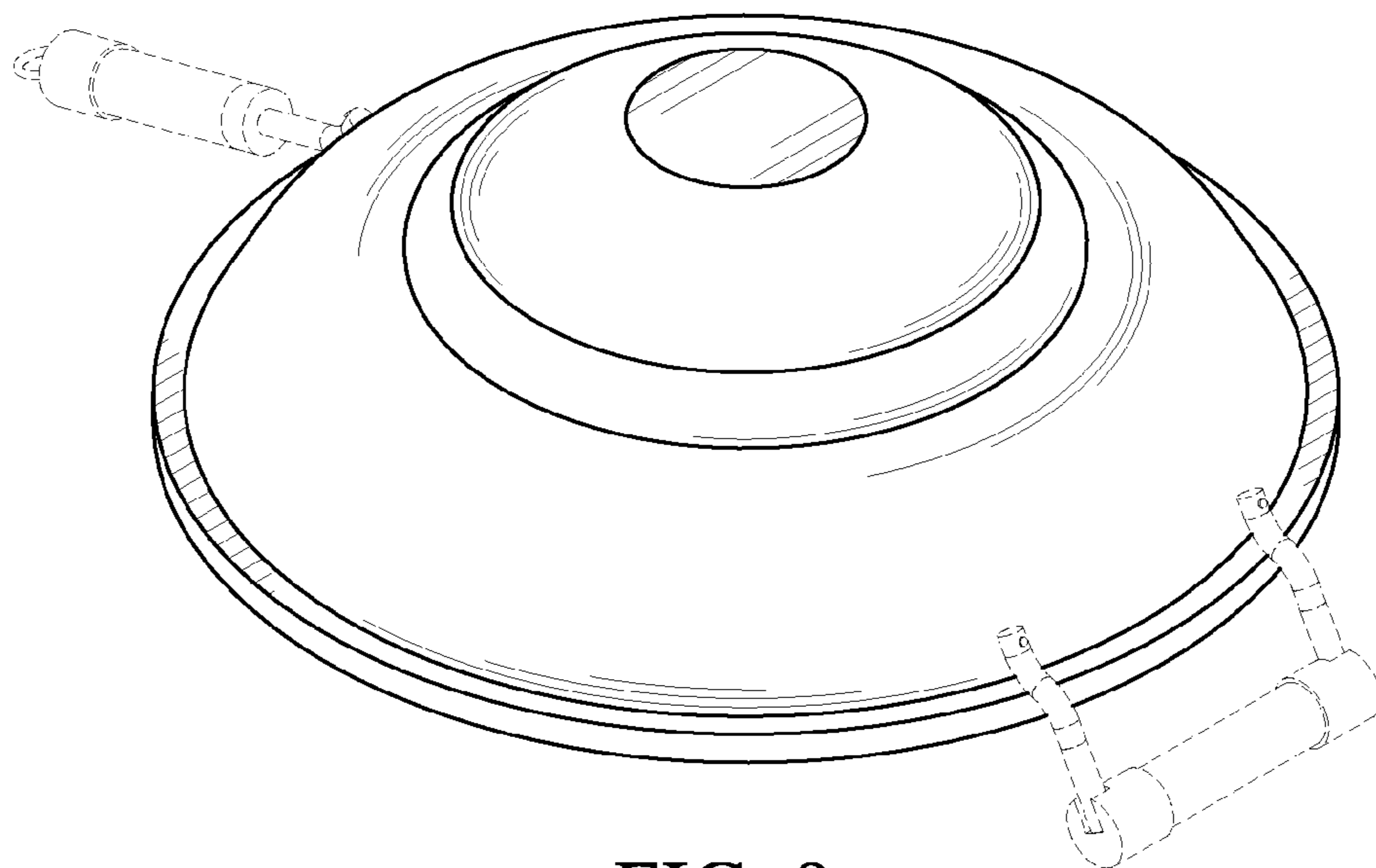


FIG. 9

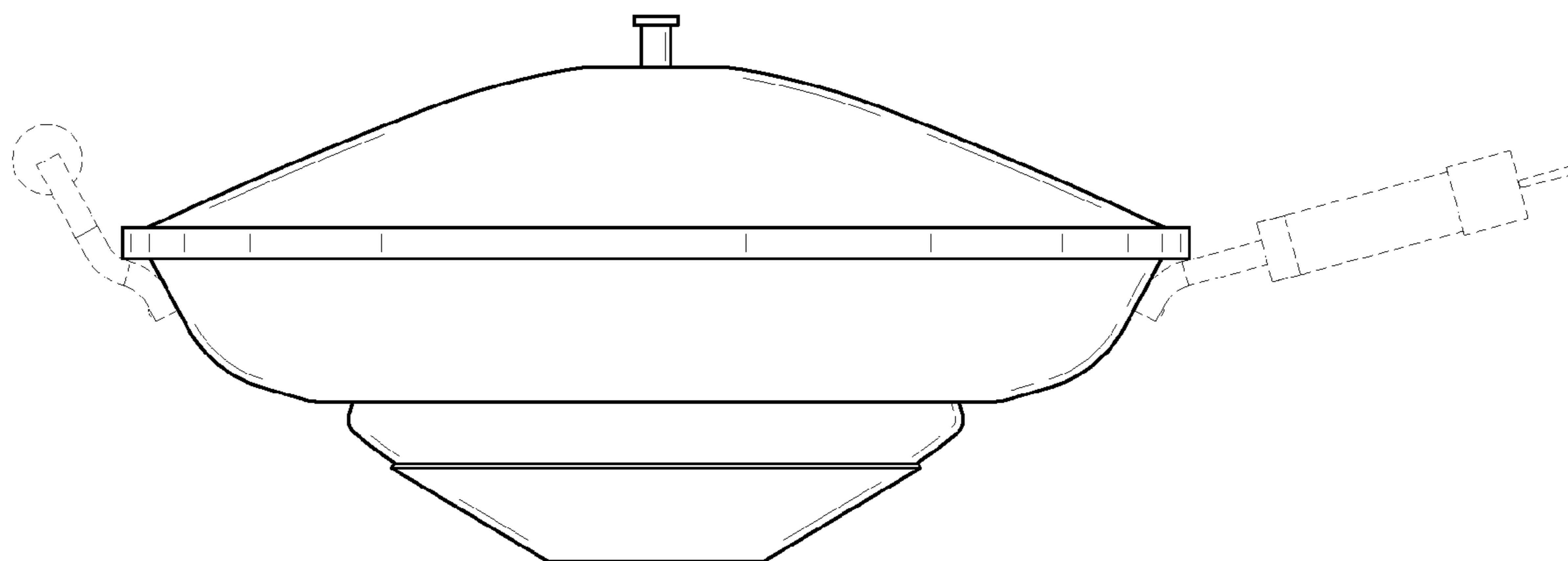


FIG. 10

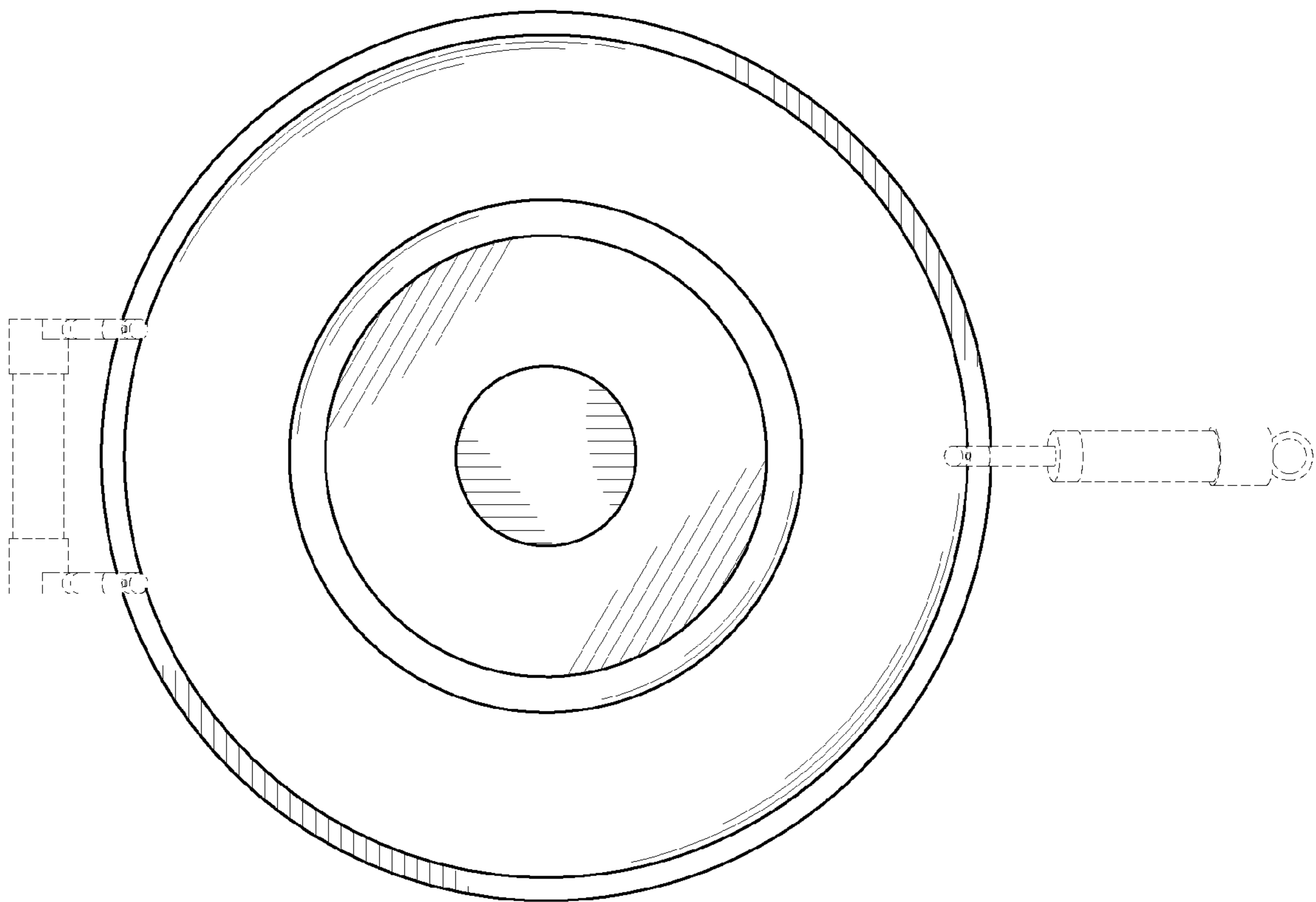


FIG. 11

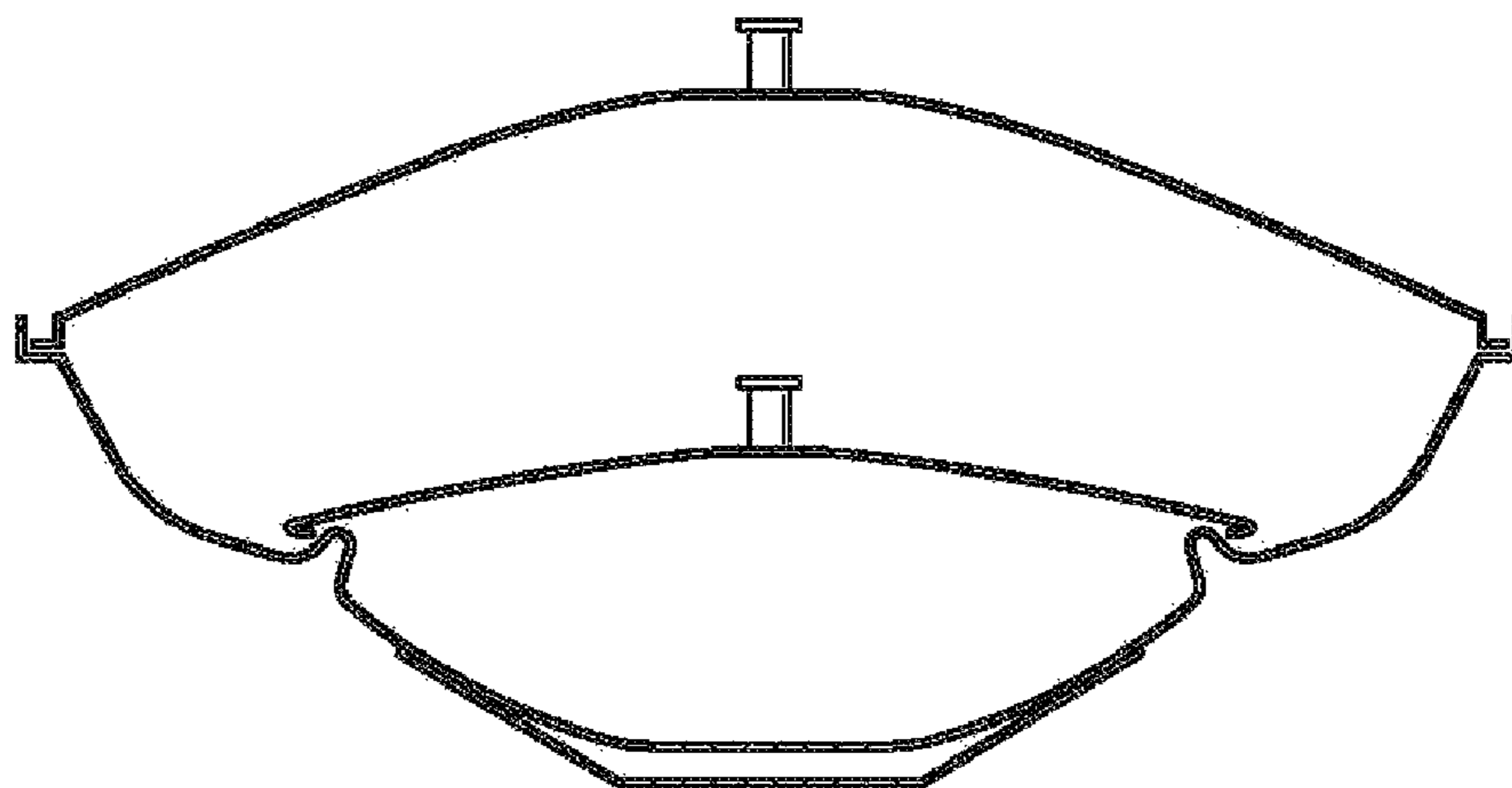


FIG. 12

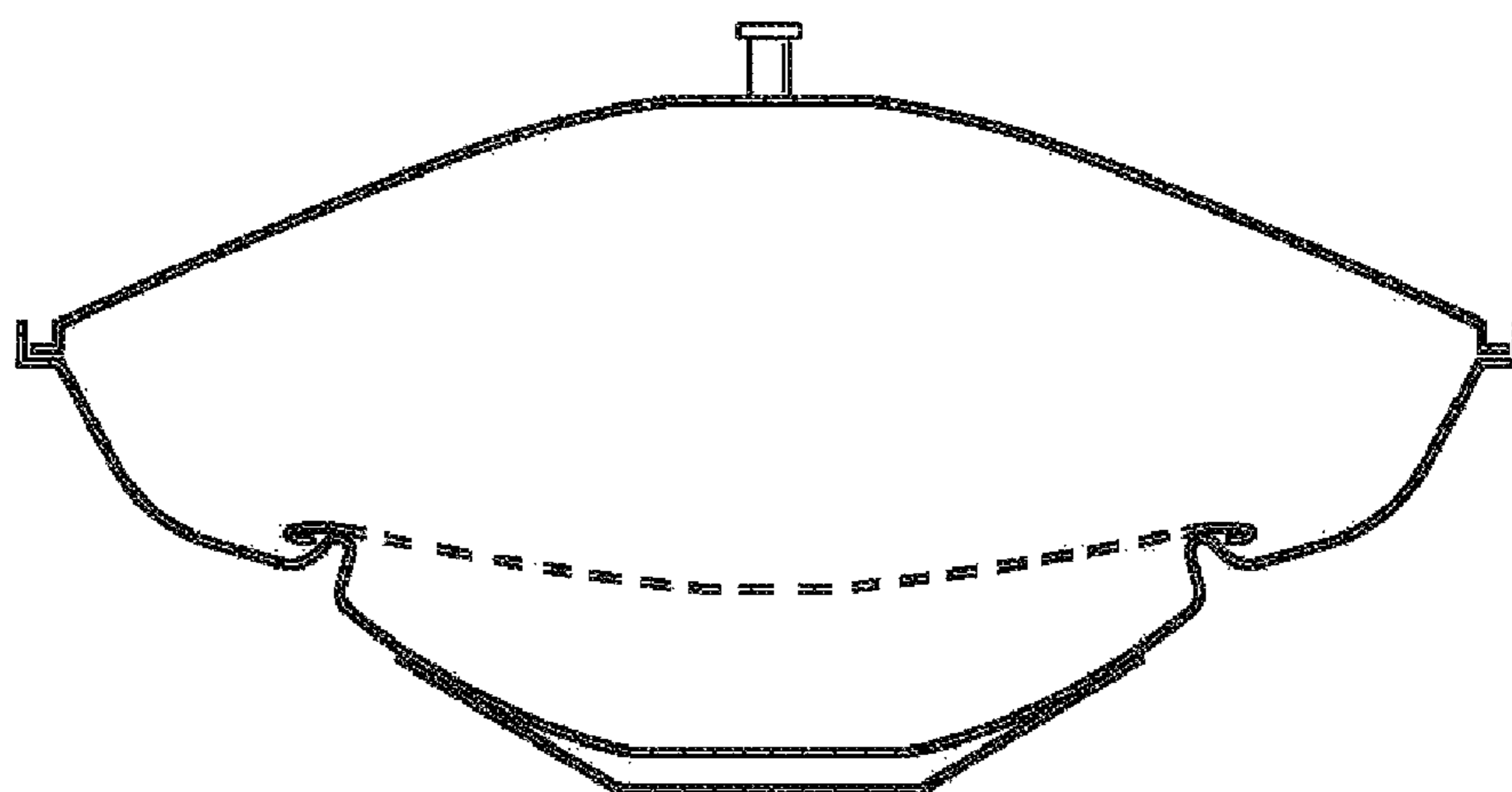


FIG. 13