



US00D635386S

(12) **United States Design Patent**
Neagoe

(10) **Patent No.:** **US D635,386 S**

(45) **Date of Patent:** **** Apr. 5, 2011**

(54) **LIQUID DISPENSER**

(75) Inventor: **Alexandru Neagoe**, Hockessin, DE (US)

(73) Assignee: **Speakman Company**, New Castle, DE (US)

(**) Term: **14 Years**

(21) Appl. No.: **29/367,481**

(22) Filed: **Aug. 9, 2010**

(51) **LOC (9) Cl.** **23-02**

(52) **U.S. Cl.** **D6/542**

(58) **Field of Classification Search** D6/542-545;
D9/682, 688, 690, 291, 448, 449; 221/282;
222/14, 173, 146.3, 628, 251, 181.1, 181.3

See application file for complete search history.

(56) **References Cited**

U.S. PATENT DOCUMENTS

D241,097 S * 8/1976 Morris D6/542
D341,741 S * 11/1993 Allen et al. D6/542
D622,526 S * 8/2010 Dai D6/542

OTHER PUBLICATIONS

Suicide Prevention Products: Suicide Prevention Patient's Sink Faucet, <http://www.norvaplastics.com/suicide-prevention-faucet.asp> (Aug. 6, 2010).

* cited by examiner

Primary Examiner — Brian N Vinson

(74) *Attorney, Agent, or Firm* — Connolly Bove Lodge & Hutz LLP

(57) **CLAIM**

The ornamental design for a liquid dispenser, as shown and described.

DESCRIPTION

FIG. 1 is a front perspective view of a liquid dispenser showing the invention;

FIG. 2 is a right front perspective view of the liquid dispenser of FIG. 1;

FIG. 3 is a top perspective view of the liquid dispenser of FIG. 1;

FIG. 4 is a right side elevational view of the liquid dispenser of FIG. 1;

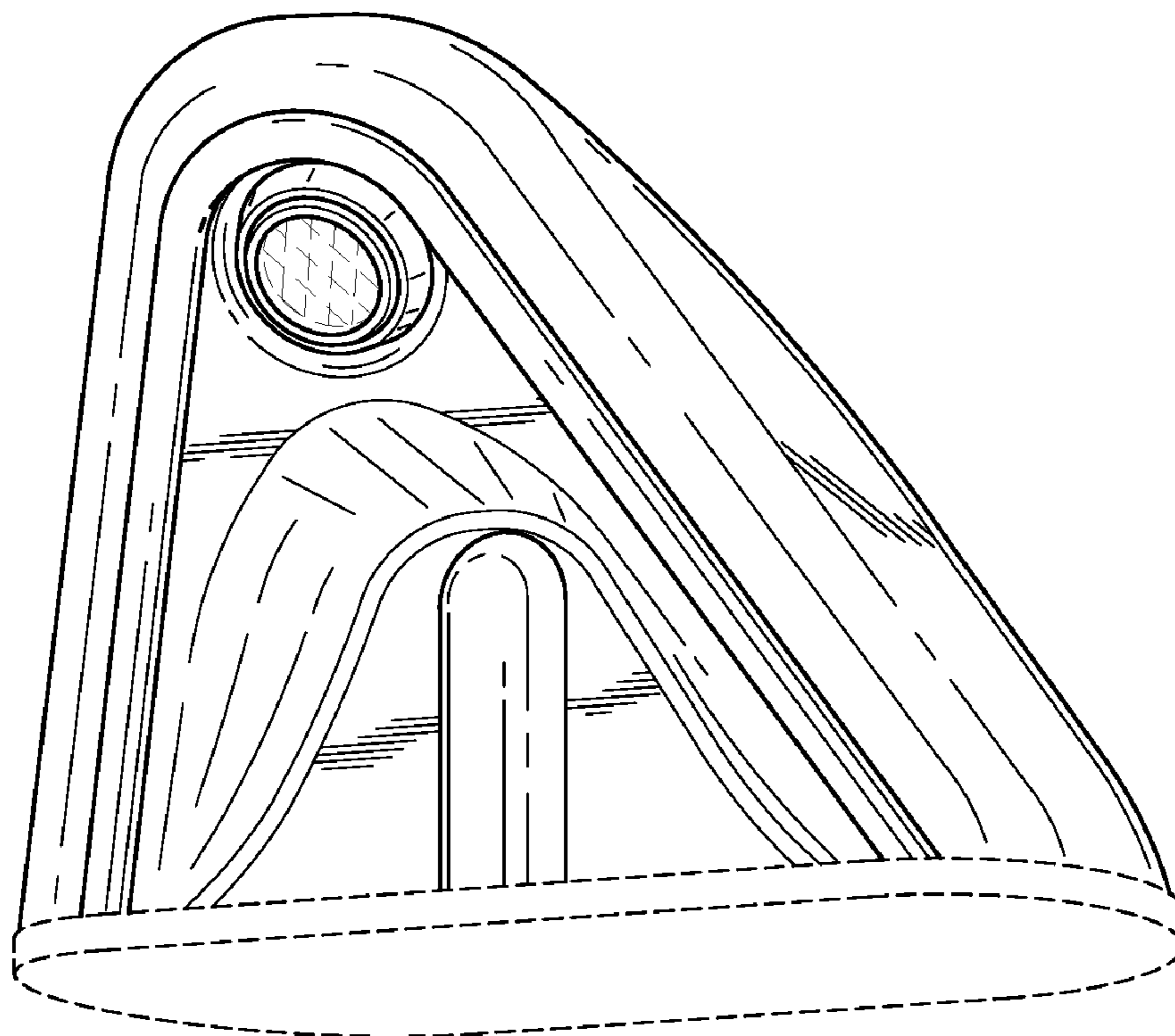
FIG. 5 is a front elevational view of the liquid dispenser of FIG. 1;

FIG. 6 is a rear elevational view of the liquid dispenser of FIG. 1; and,

FIG. 7 is a top elevational view of the liquid dispenser of FIG. 1.

The broken lines contained in the Figures are for illustrative purposes only and form no part of the claimed design.

1 Claim, 4 Drawing Sheets



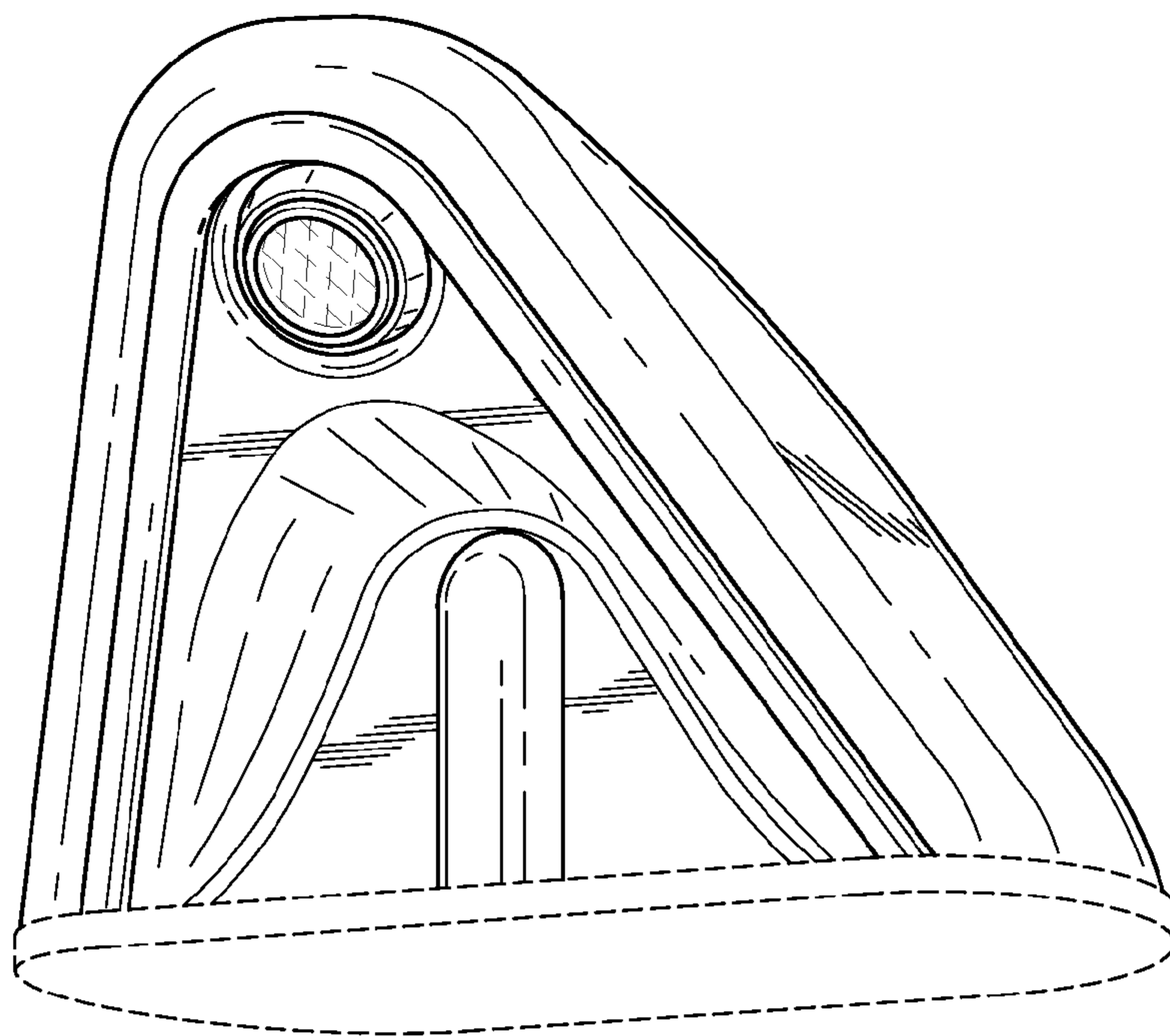


FIG. 1

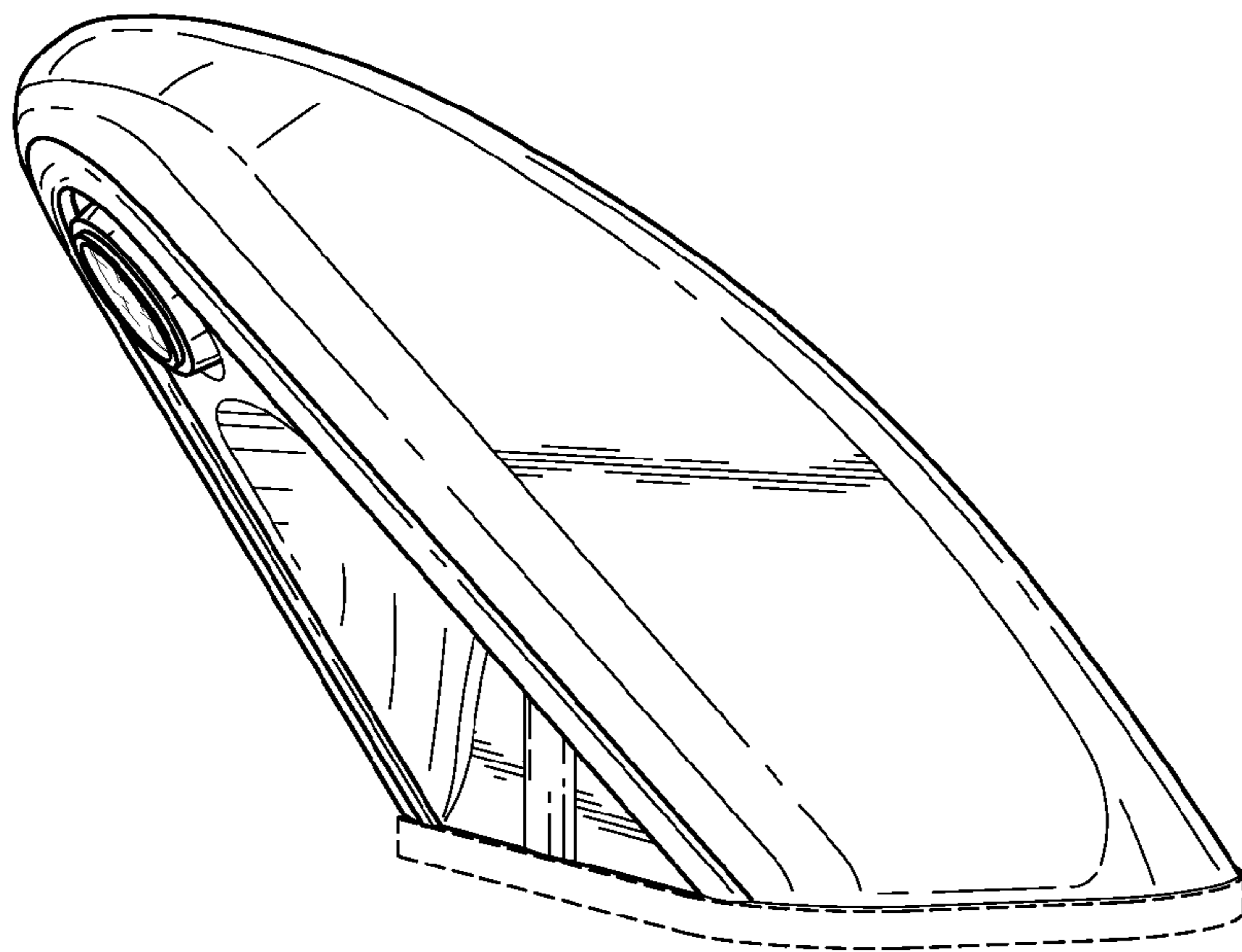


FIG. 2

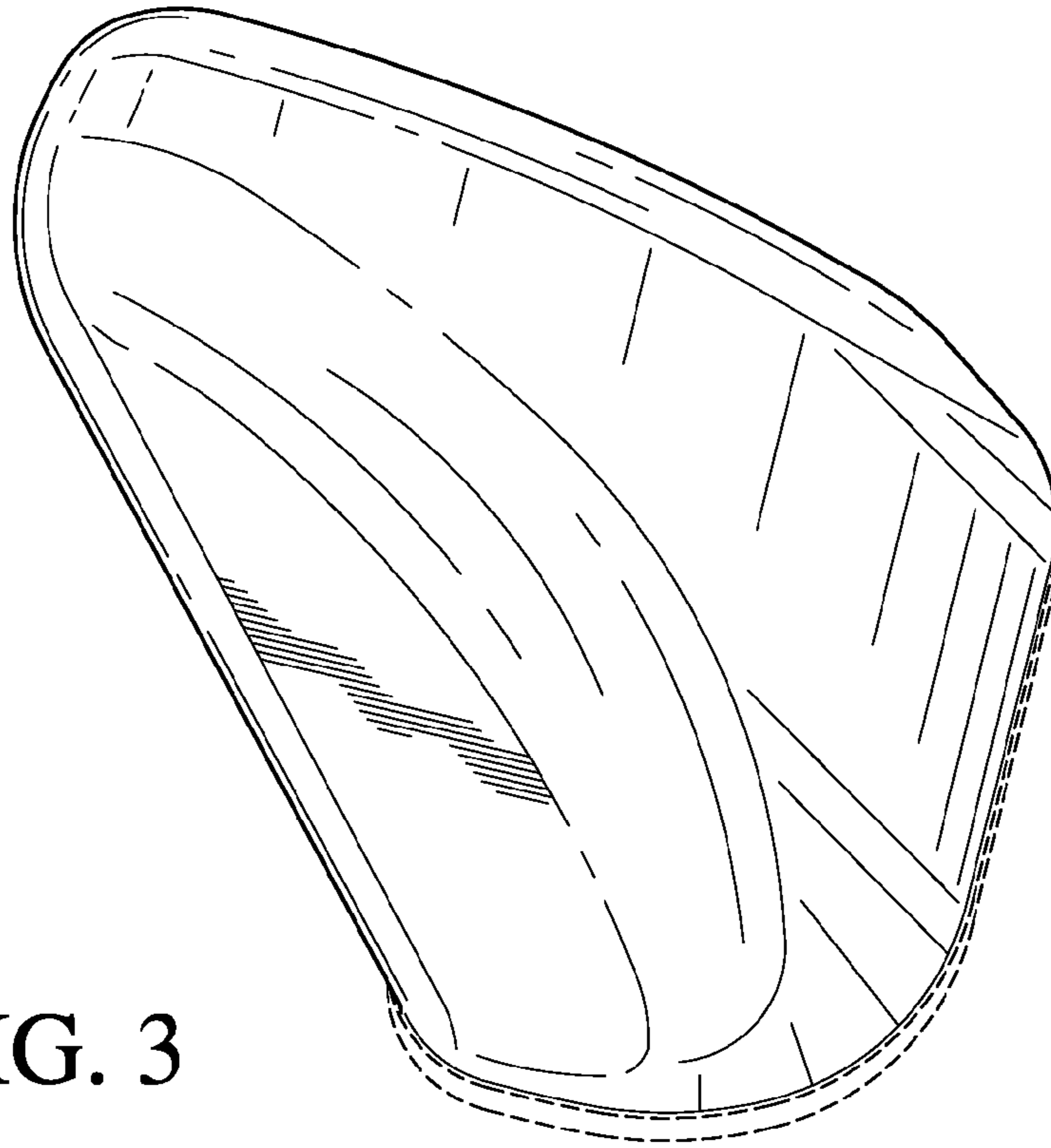


FIG. 3

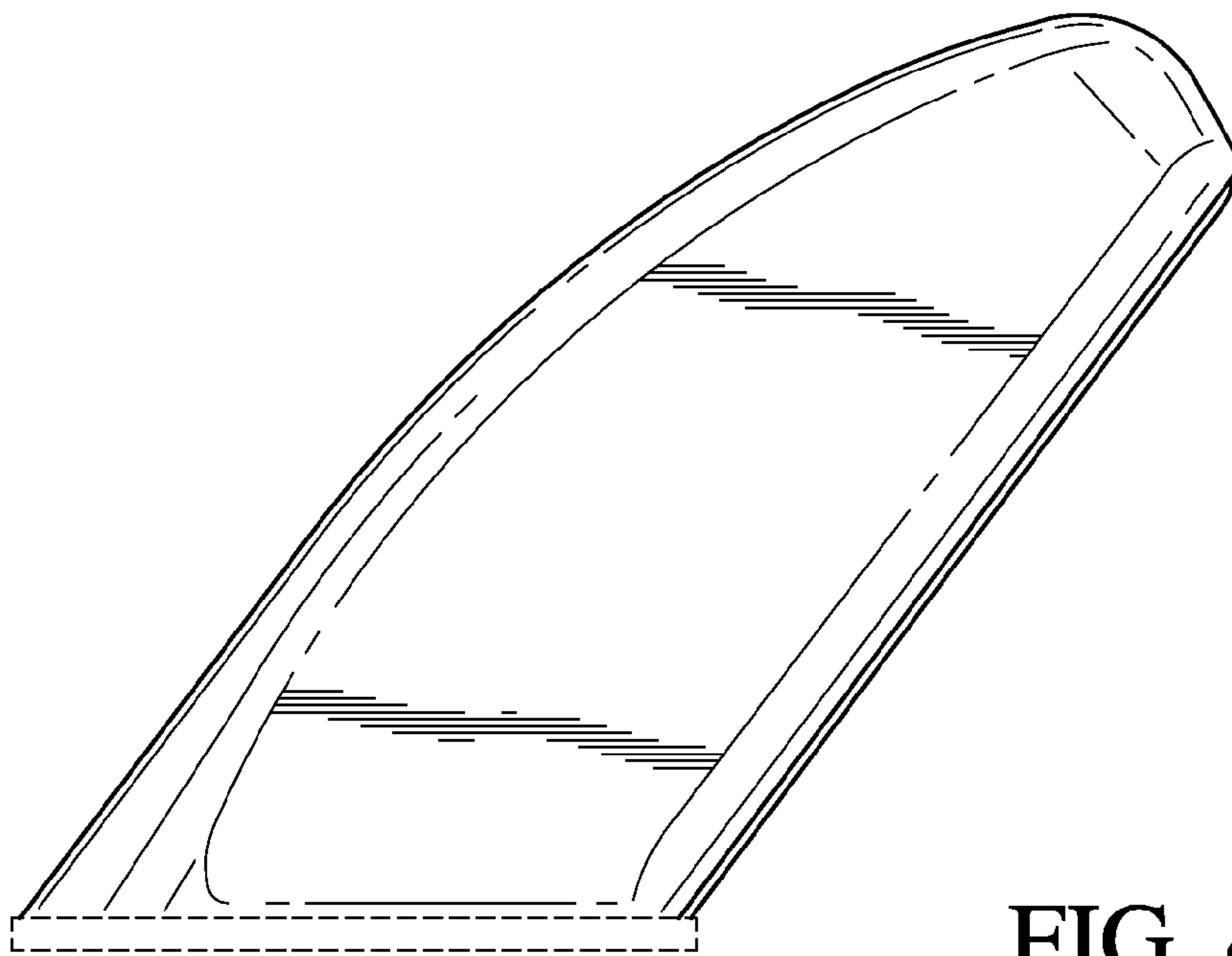


FIG. 4

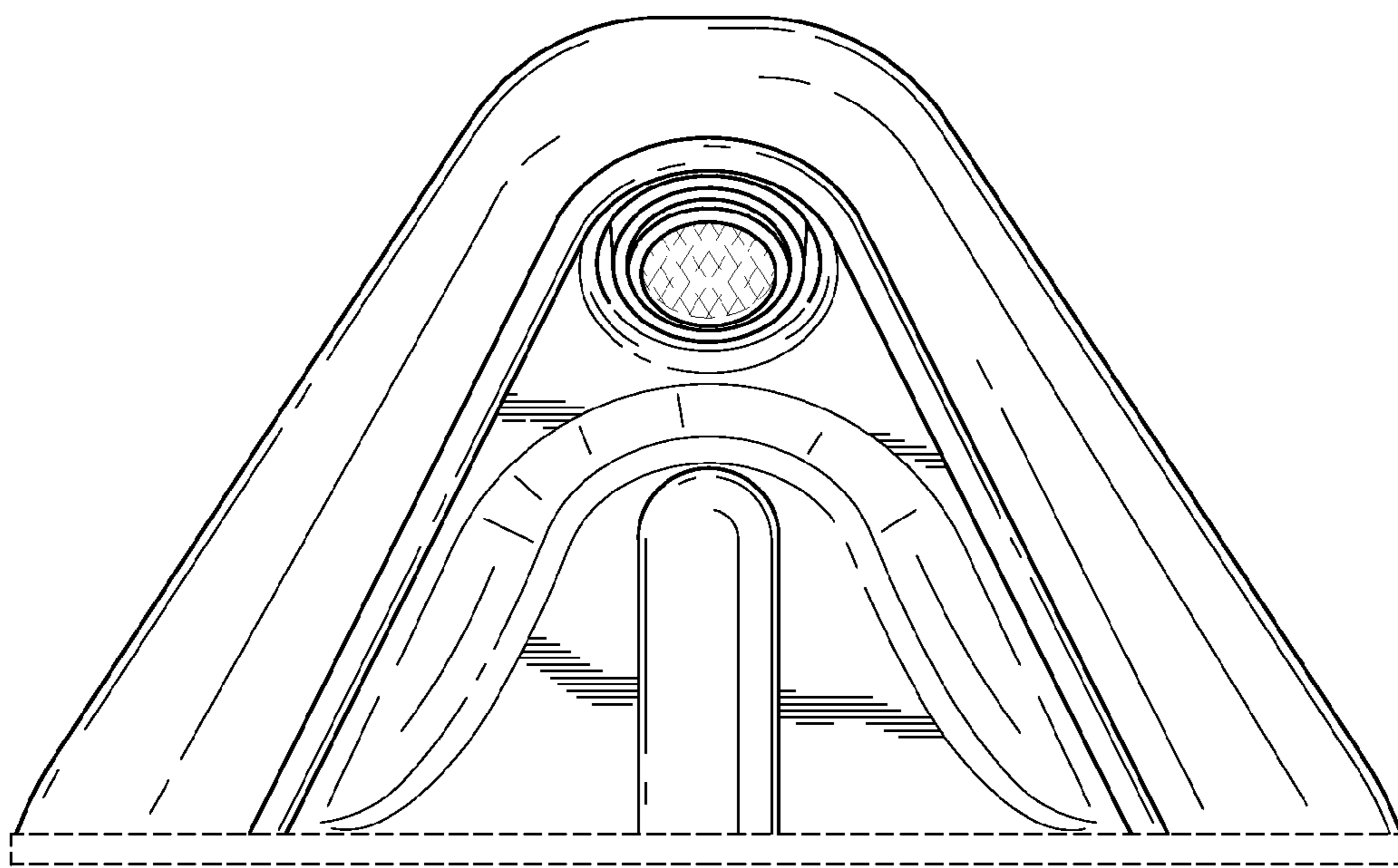


FIG. 5

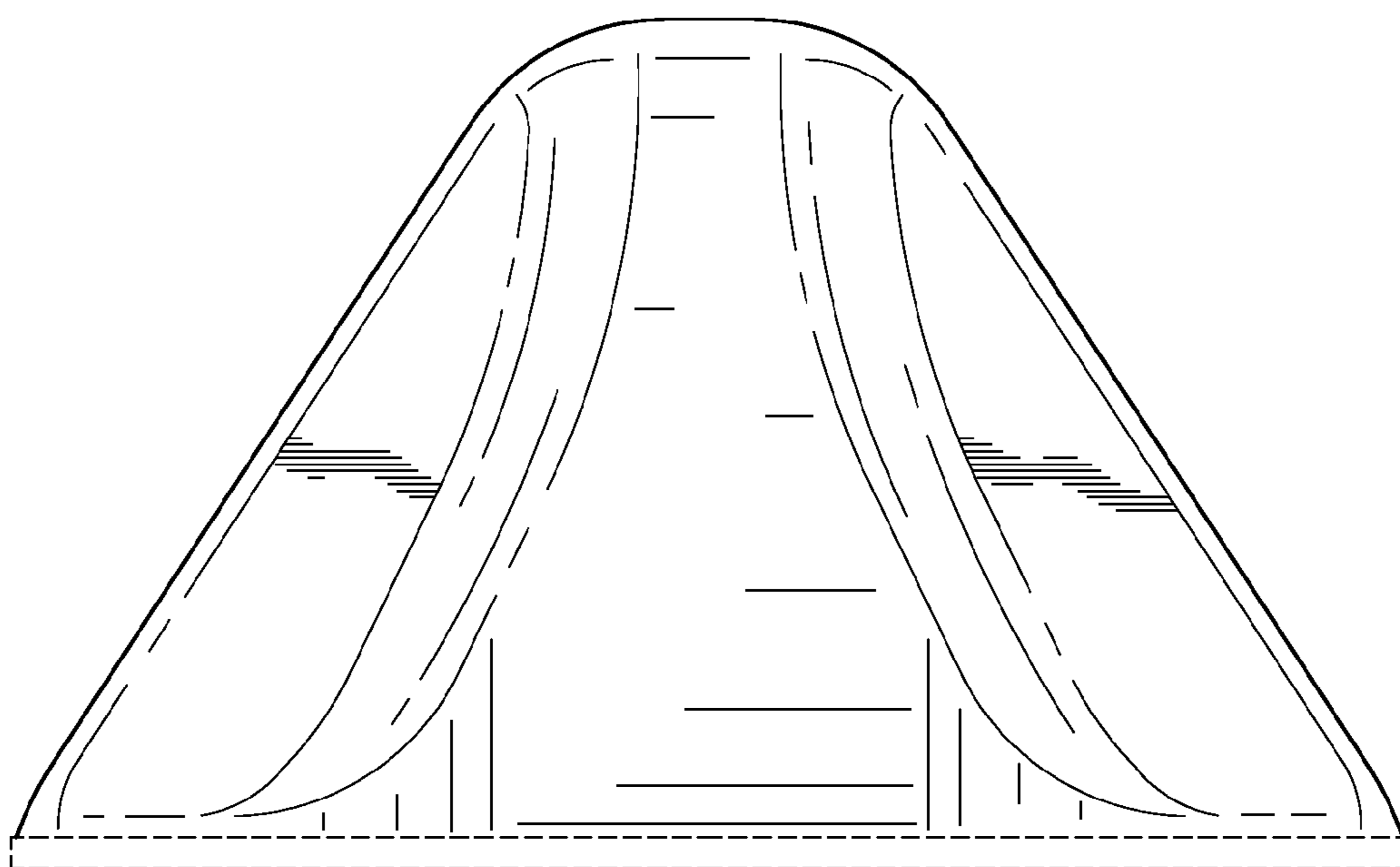


FIG. 6

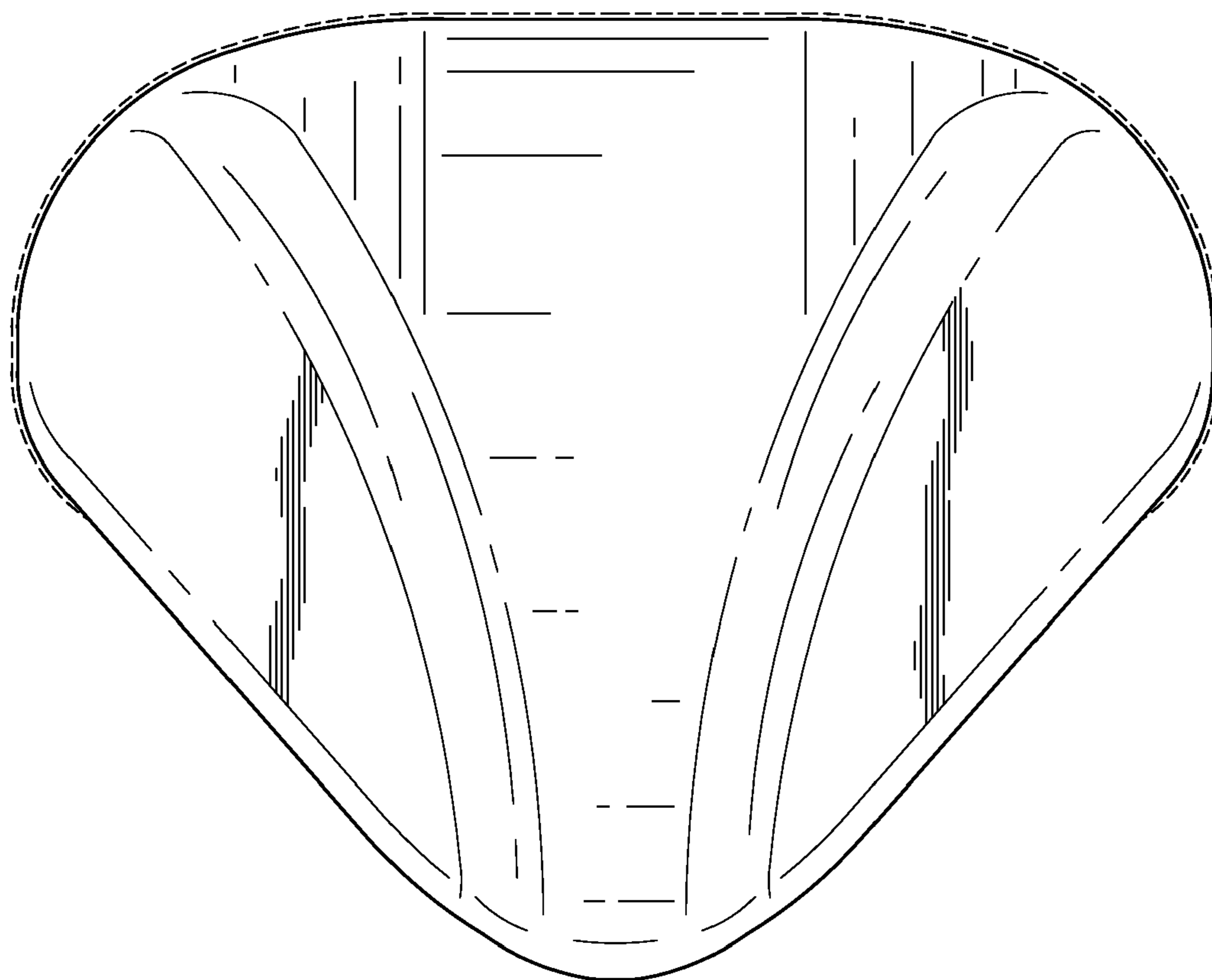


FIG. 7