



US00D635383S

(12) **United States Design Patent**
Yang et al.

(10) **Patent No.:** **US D635,383 S**

(45) **Date of Patent:** **** Apr. 5, 2011**

(54) **SINK ORGANIZER**

(75) Inventors: **Frank Yang**, Rancho Palos Verdes, CA (US); **Tzu-Hao Wei**, Hacienda Heights, CA (US); **Di-Fong Chang**, Torrance, CA (US); **Myk Lum**, Irvine, CA (US); **Helen Tang**, Rowland Heights, CA (US)

(73) Assignee: **Simplehuman LLC**, Torrance, CA (US)

(**) Term: **14 Years**

(21) Appl. No.: **29/353,319**

(22) Filed: **Jan. 6, 2010**

Related U.S. Application Data

(63) Continuation-in-part of application No. 29/313,060, filed on Dec. 2, 2008, now Pat. No. Des. 626,363.

(51) **LOC (9) Cl.** **23-02**

(52) **U.S. Cl.** **D6/525**

(58) **Field of Classification Search** D6/524-525, D6/566; 108/14, 28, 47, 137, 143; 211/13.1, 211/71, 74, 75, 86.01, 126.1, 126.9, 133.5; 248/441.1

See application file for complete search history.

(56) **References Cited**

U.S. PATENT DOCUMENTS

| | | | | |
|--------------|---------|-------------|-------|--------|
| D441,996 S * | 5/2001 | Wright | | D6/525 |
| D483,587 S * | 12/2003 | Snell | | D6/525 |
| D530,948 S * | 10/2006 | Snell | | D6/525 |
| D566,919 S * | 4/2008 | Snell | | D6/525 |
| D598,688 S * | 8/2009 | Yang et al. | | D6/525 |

* cited by examiner

Primary Examiner — Brian N Vinson

(74) *Attorney, Agent, or Firm* — Liu & Liu

(57) **CLAIM**

The ornamental design for the sink organizer, as shown and described.

DESCRIPTION

FIG. 1 is a right perspective view of a sink organizer showing our new design;

FIG. 2 is a right side view thereof;

FIG. 3 is a left side view thereof;

FIG. 4 is a front view thereof;

FIG. 5 is a rear view thereof;

FIG. 6 is a top plan view thereof; and,

FIG. 7 is a bottom plan view thereof.

In the illustrations of the article embodying the inventive design, the portions represented in dotted lines do not form a part of the inventive design embodied by the article.

1 Claim, 7 Drawing Sheets

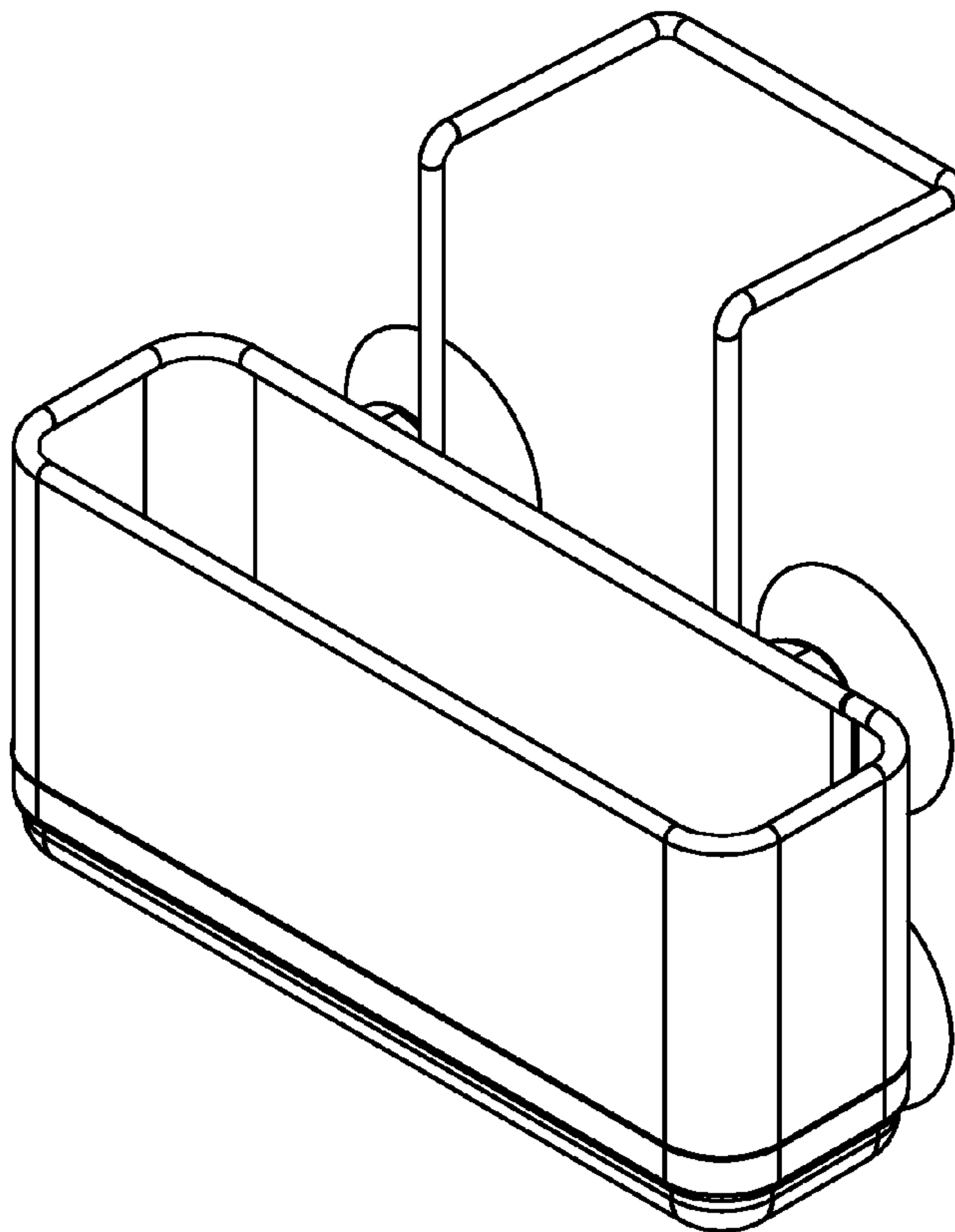


FIG. 1

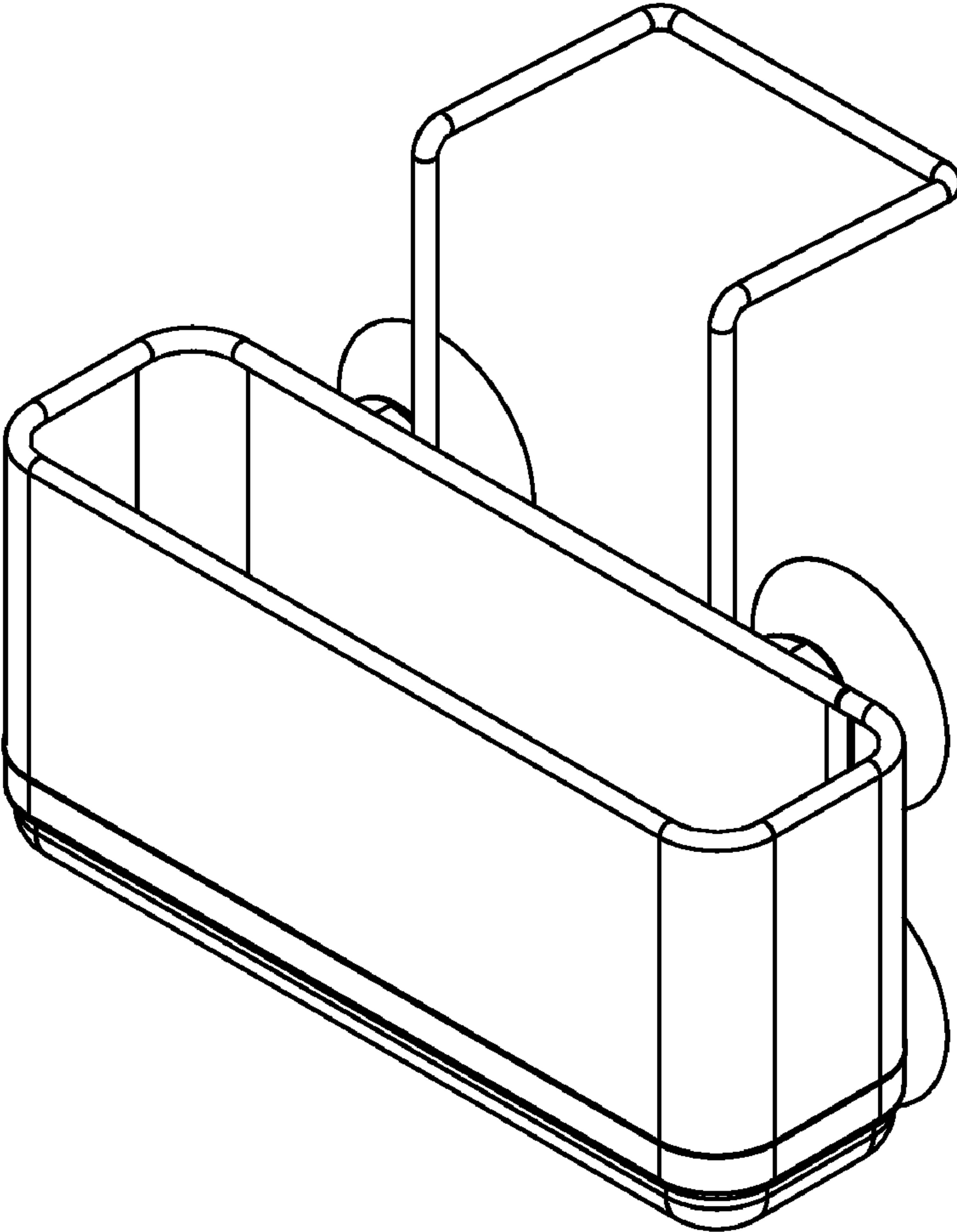


FIG. 2

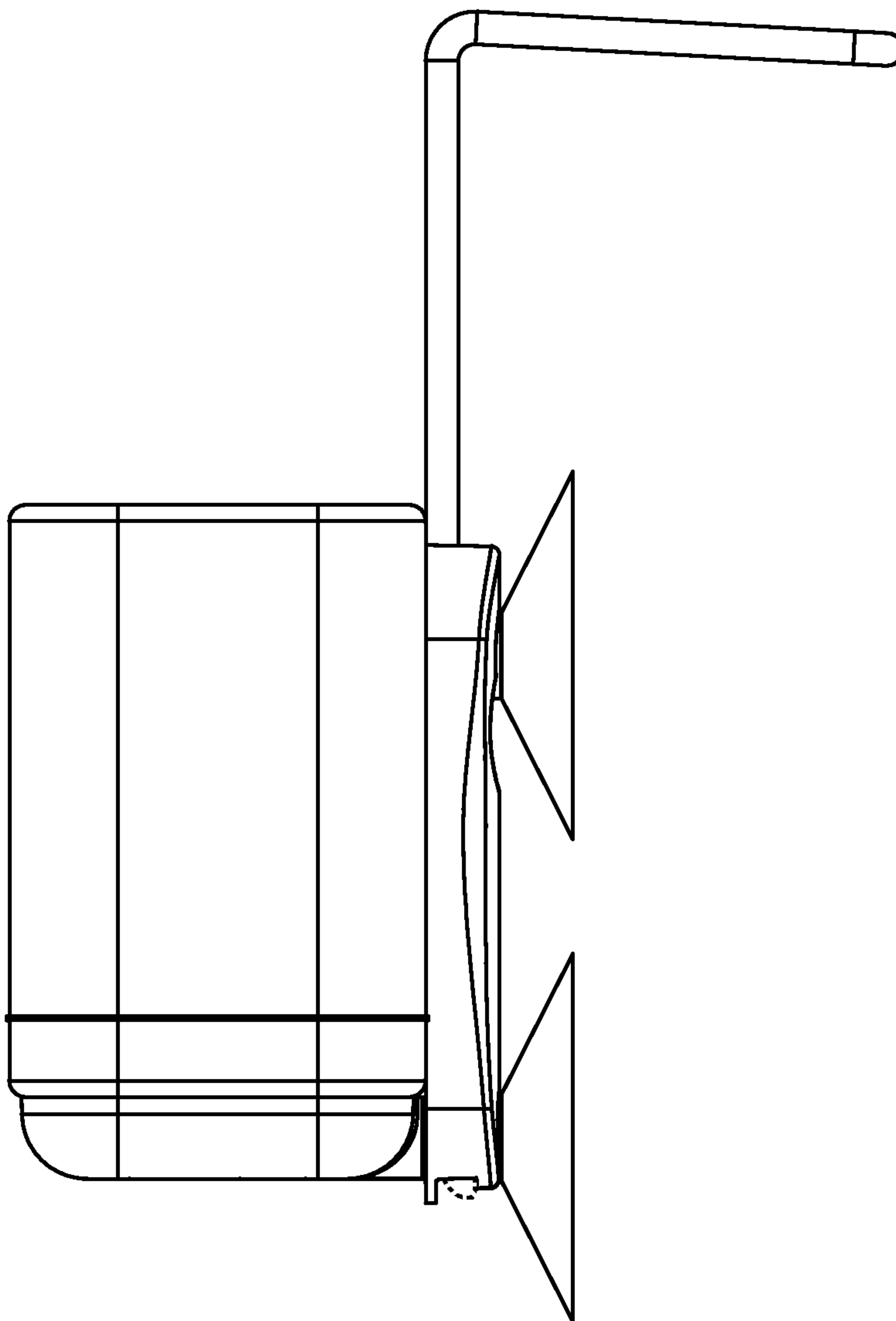


FIG. 3

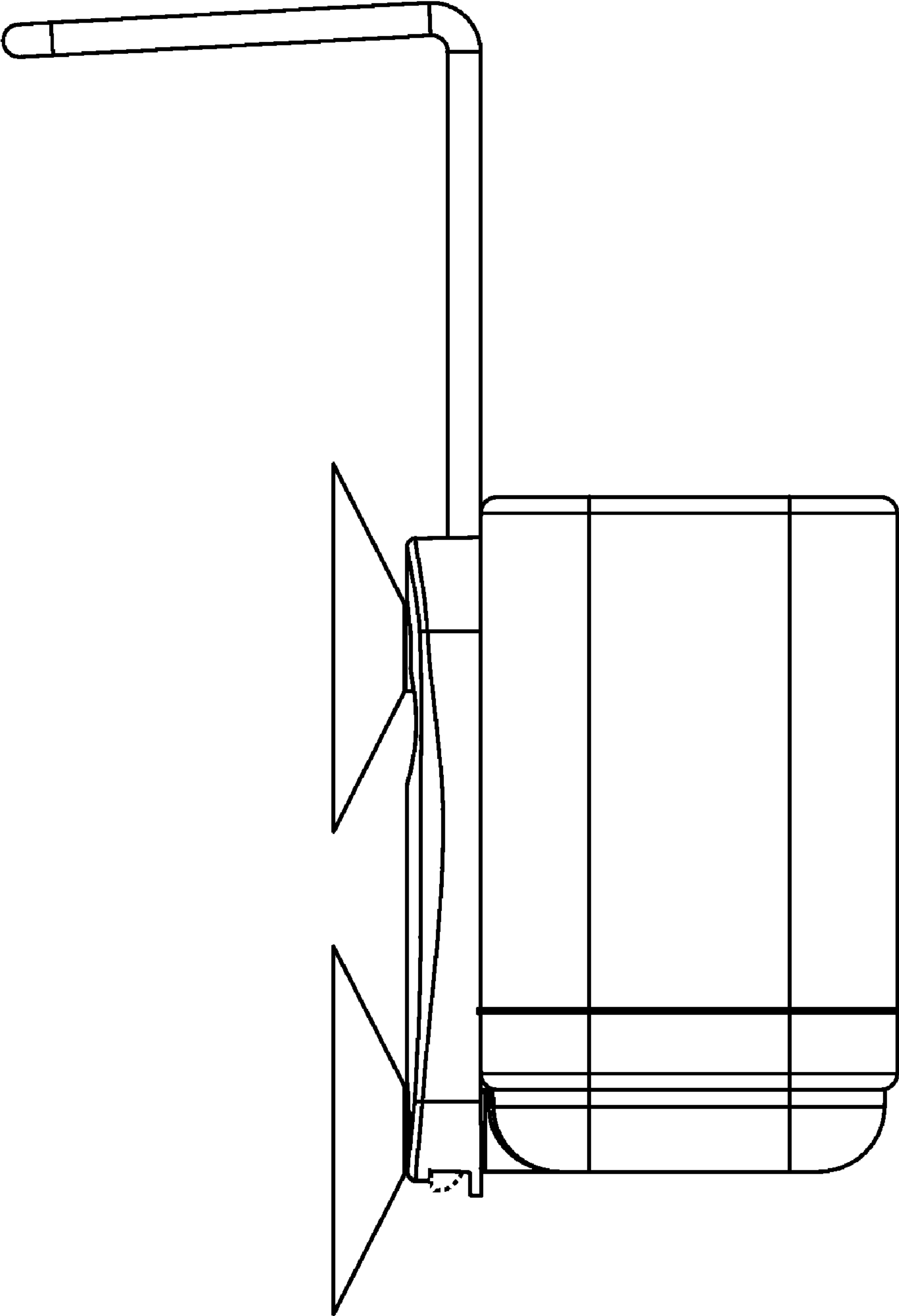


FIG. 4

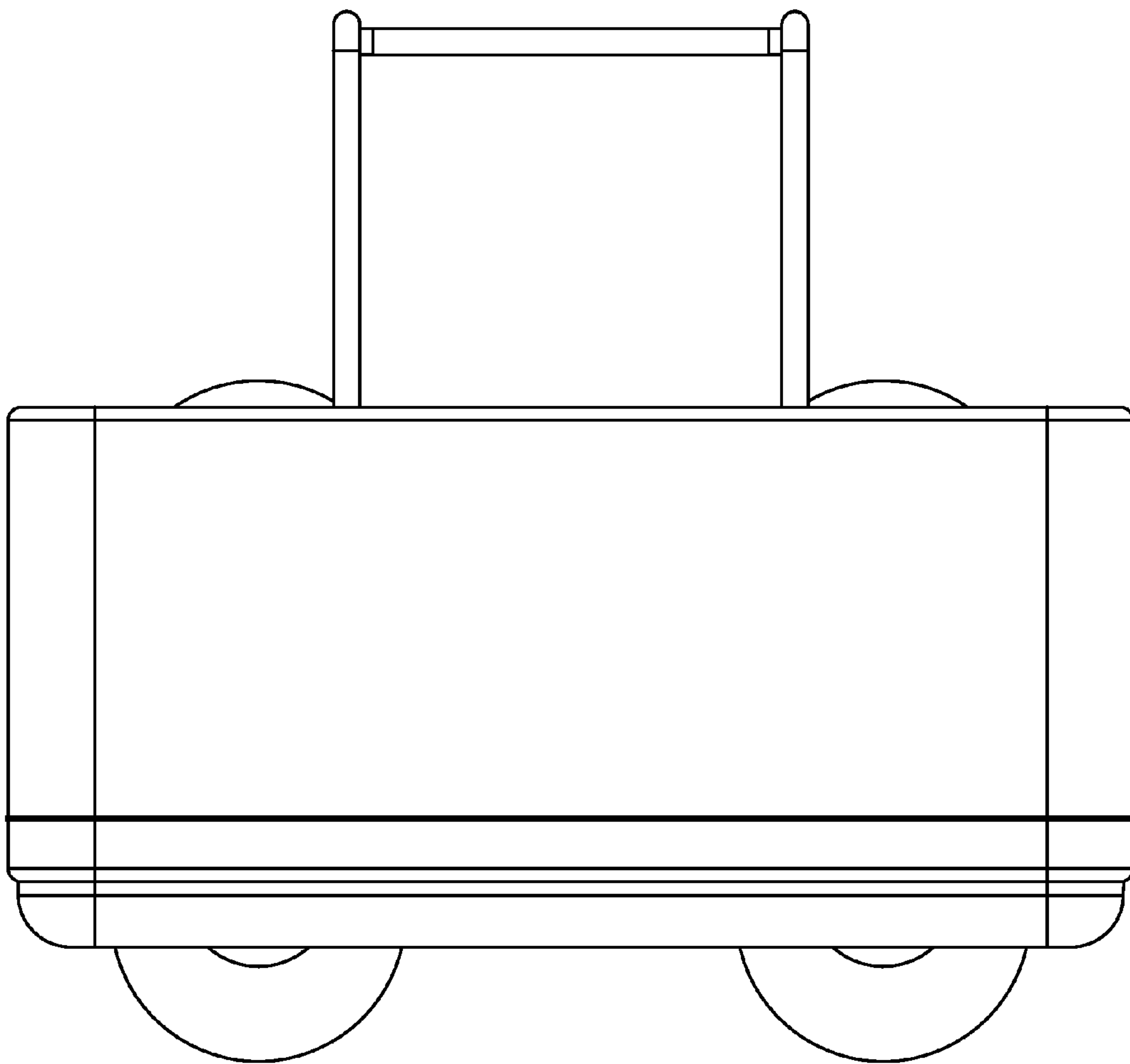


FIG. 5

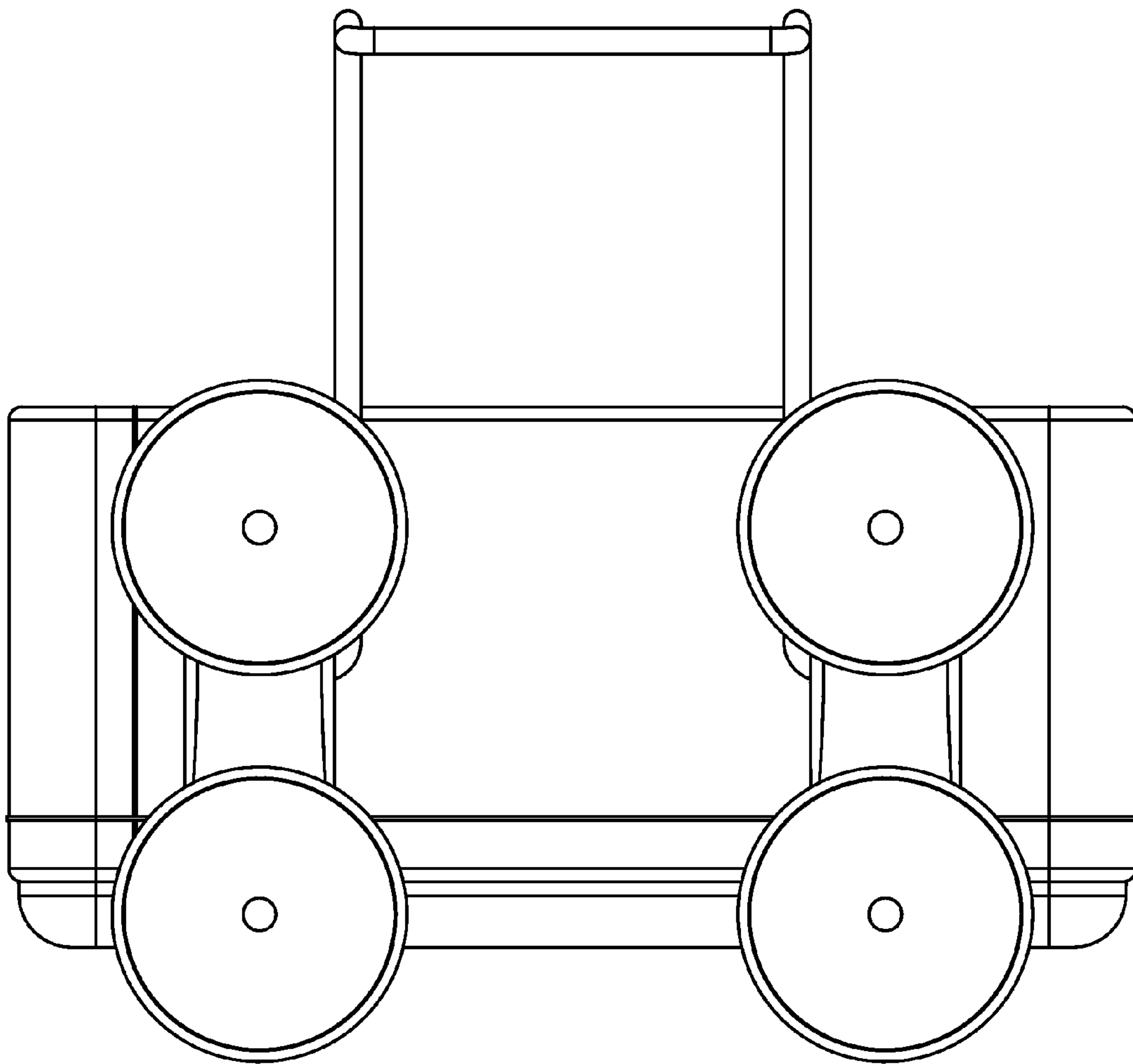


FIG. 6

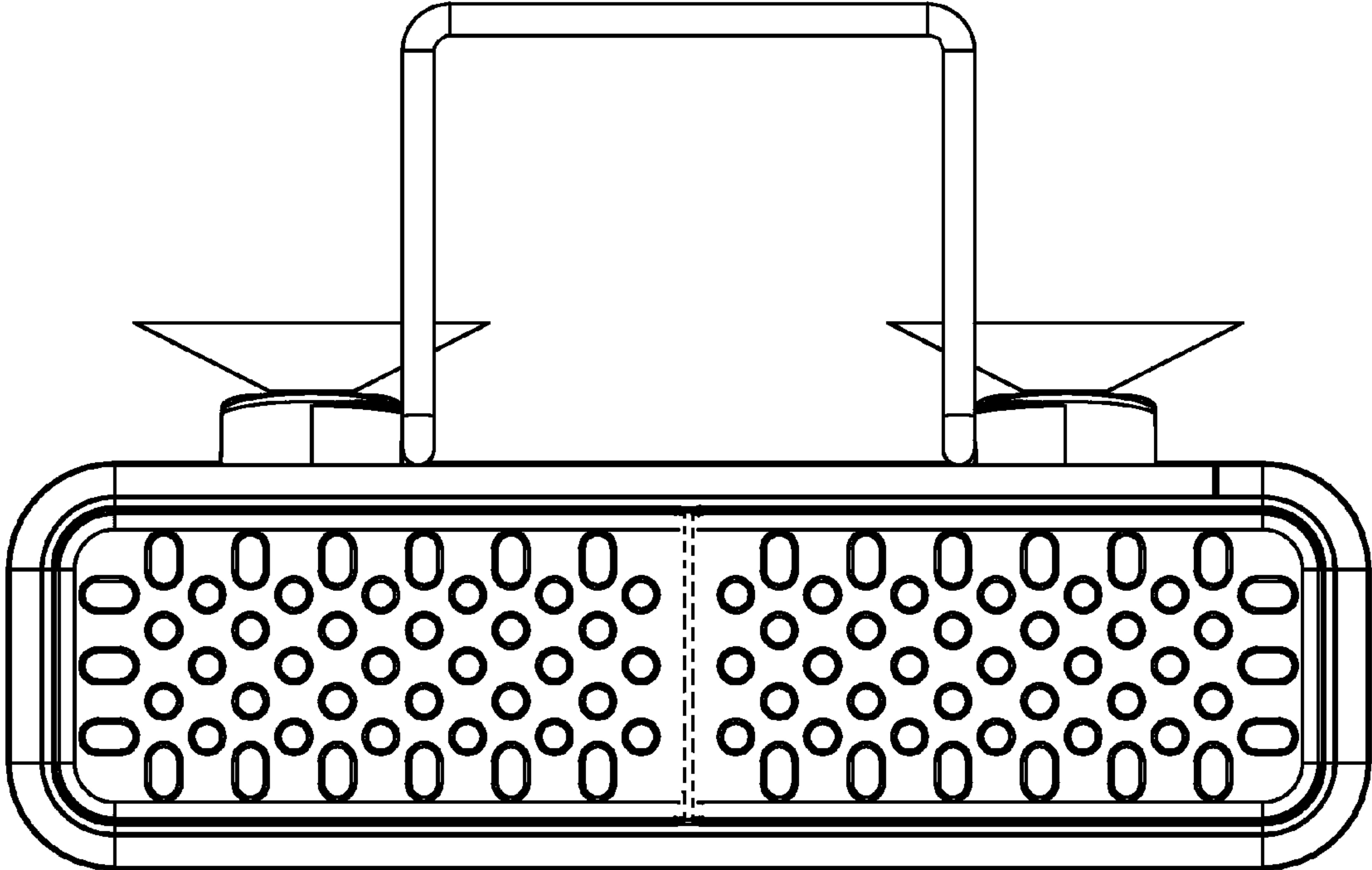


FIG. 7

