



US00D635381S

(12) **United States Design Patent**  
**Kim**

(10) **Patent No.:** **US D635,381 S**

(45) **Date of Patent:** **\*\* Apr. 5, 2011**

(54) **ACCESSORY POST**

(75) Inventor: **Josephina Ji Yeon Kim**, Cleveland, OH (US)

(73) Assignee: **Moen Incorporated**, North Olmsted, OH (US)

(\*\*) Term: **14 Years**

(21) Appl. No.: **29/362,371**

(22) Filed: **May 25, 2010**

(51) **LOC (9) Cl.** ..... **23-02**

(52) **U.S. Cl.** ..... **D6/524; D6/550**

(58) **Field of Classification Search** ..... D6/518–524, D6/546–550; D8/300, 370, 315; 108/28–29; 211/13.1, 16, 85.5, 86.01, 87.01, 88.04, 100, 211/105.1, 105.2, 106, 113, 123, 181.1, 182–183; 248/49, 175, 176.1, 200, 201, 205.1, 251, 248/302, 309.1, 315; 242/570, 590, 595–598  
See application file for complete search history.

(56) **References Cited**

**U.S. PATENT DOCUMENTS**

1,773,586 A	8/1930	Koering
D175,819 S	10/1955	Young
D320,335 S	10/1991	Bengtson
D325,622 S	4/1992	Bengtson
D337,230 S	7/1993	Wang
D348,509 S	7/1994	Bollenbacher
D391,831 S	3/1998	Doughty et al.
D416,419 S	11/1999	Chen
D417,995 S	12/1999	Chen
D431,139 S	9/2000	Chen
D443,919 S	6/2001	Lord
D451,737 S	12/2001	Chen
D463,533 S	9/2002	Ko
D463,936 S	10/2002	Chen
D464,404 S	10/2002	Lord
D465,268 S	11/2002	Mullenmeister
D465,557 S	11/2002	Antoniello et al.
D469,292 S	1/2003	Chen et al.
D483,440 S	12/2003	Smith
D483,585 S	12/2003	Chen

D492,151 S	*	6/2004	Chen	.....	D6/524
D493,314 S		7/2004	Gilbert		
D498,290 S		11/2004	Egee		
D512,860 S		12/2005	Ferrer Beltran		
D516,356 S	*	3/2006	Sedwick	.....	D6/550
D519,766 S	*	5/2006	Gilbert	.....	D6/524
D520,789 S		5/2006	Zhu et al.		
D520,791 S		5/2006	Solowiej		
D532,638 S	*	11/2006	Berberet et al.	.....	D6/550
D540,087 S		4/2007	Barry		
D540,586 S		4/2007	Solowiej		
D540,588 S		4/2007	Hoernig		
D540,595 S		4/2007	Solowiej		
D557,049 S	*	12/2007	Sedwick et al.	.....	D6/524
D575,565 S		8/2008	Gilbert		
D582,522 S		12/2008	Hanna		
D596,887 S	*	7/2009	Sedwick	.....	D6/550

\* cited by examiner

*Primary Examiner* — Brian N Vinson

(74) *Attorney, Agent, or Firm* — Calfee, Halter & Griswold LLP

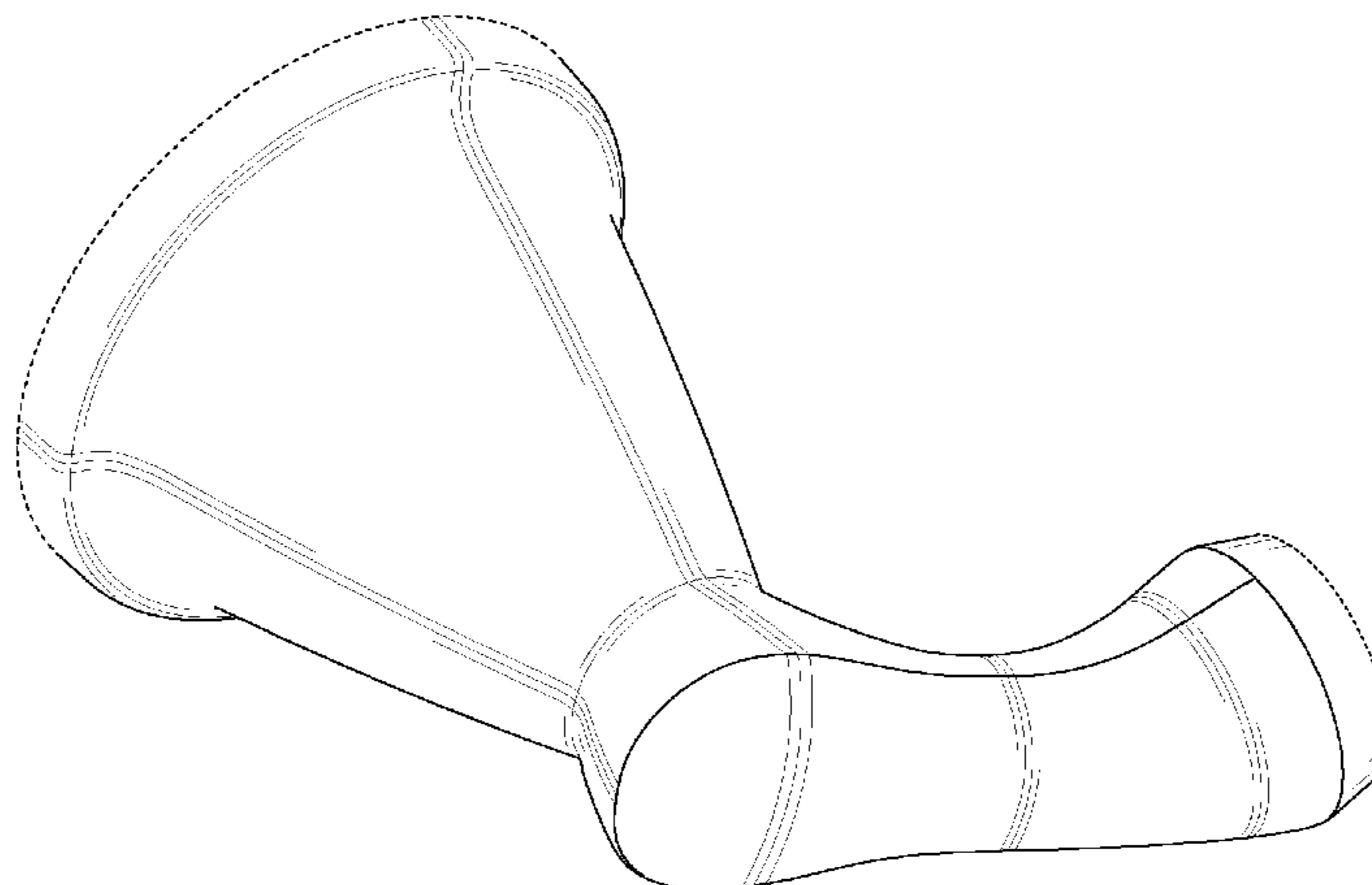
(57) **CLAIM**

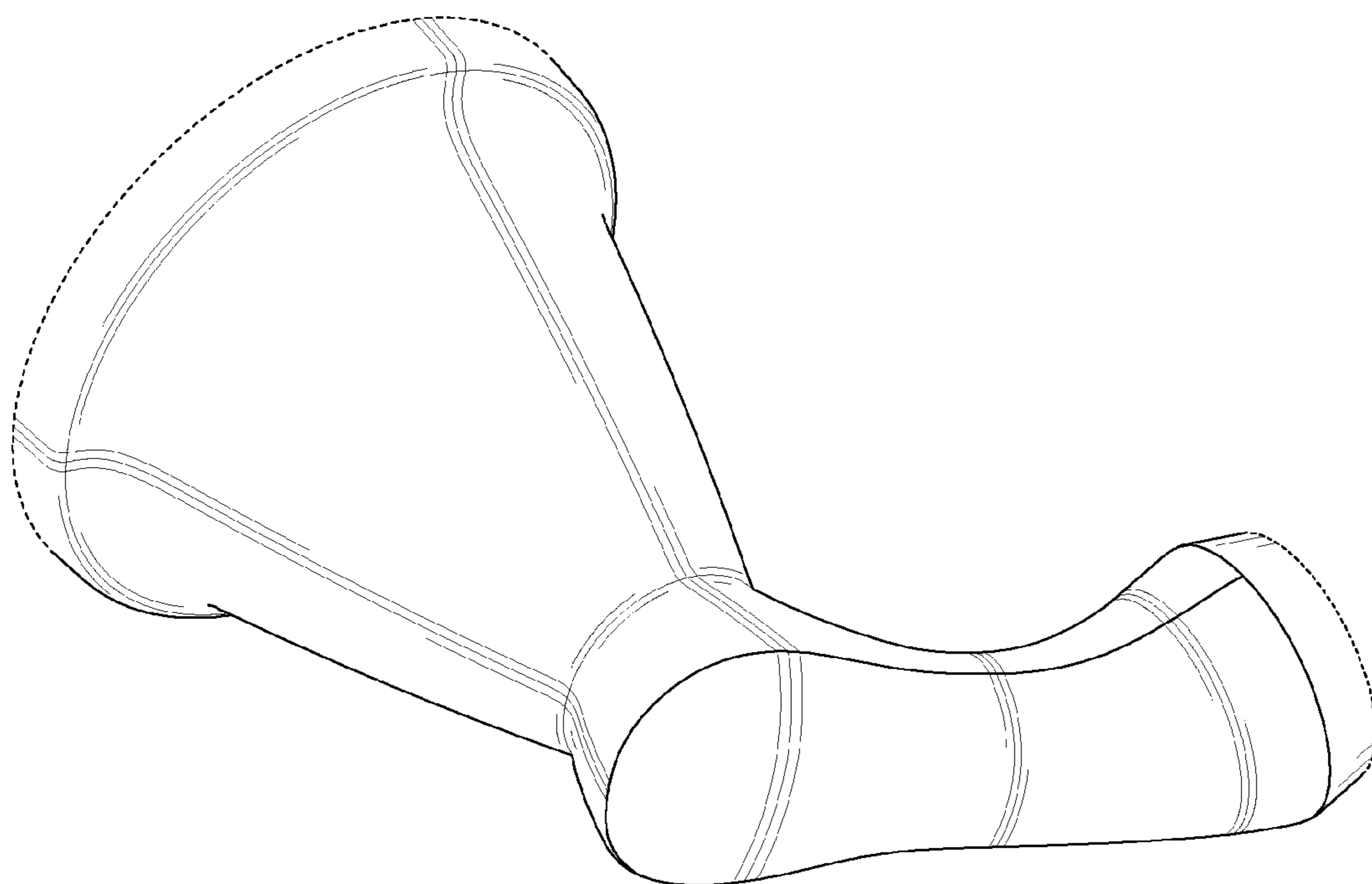
The ornamental design for an accessory post, as shown and described.

**DESCRIPTION**

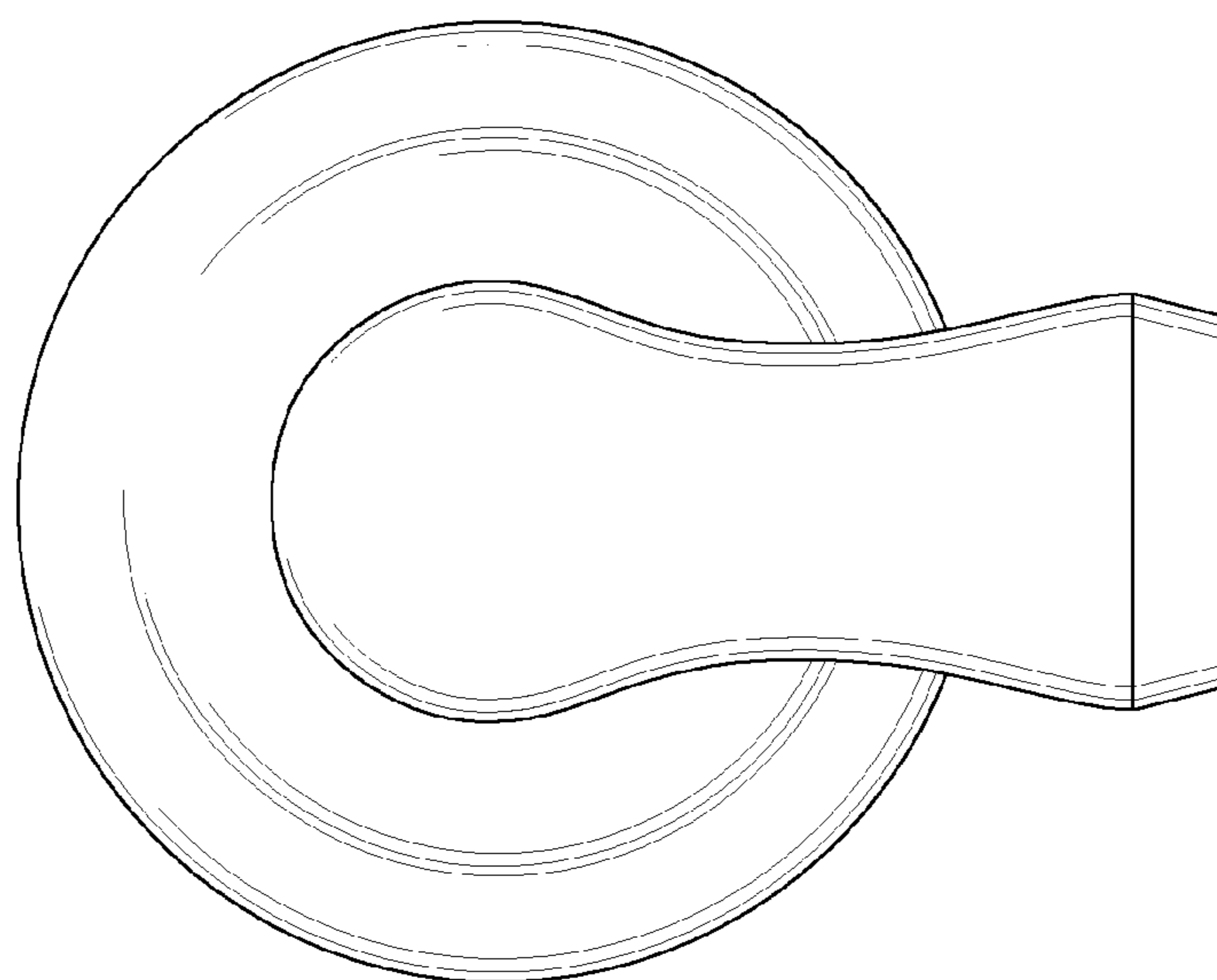
FIG. 1 is a perspective view of an accessory post of the new design;  
FIG. 2 is a front elevational view of the accessory post of FIG. 1;  
FIG. 3 is a rear elevational view of the accessory post of FIG. 1;  
FIG. 4 is a left side elevational view of the accessory post of FIG. 1;  
FIG. 5 is a right side elevational view of the accessory post of FIG. 1; and,  
FIG. 6 is a top plan view of the accessory post of FIG. 1, the bottom plan view being a mirror image thereof.  
The broken-line disclosure in the views is understood to represent portions of the article in which the claimed design is embodied, but which forms no part of the claimed design.

**1 Claim, 3 Drawing Sheets**

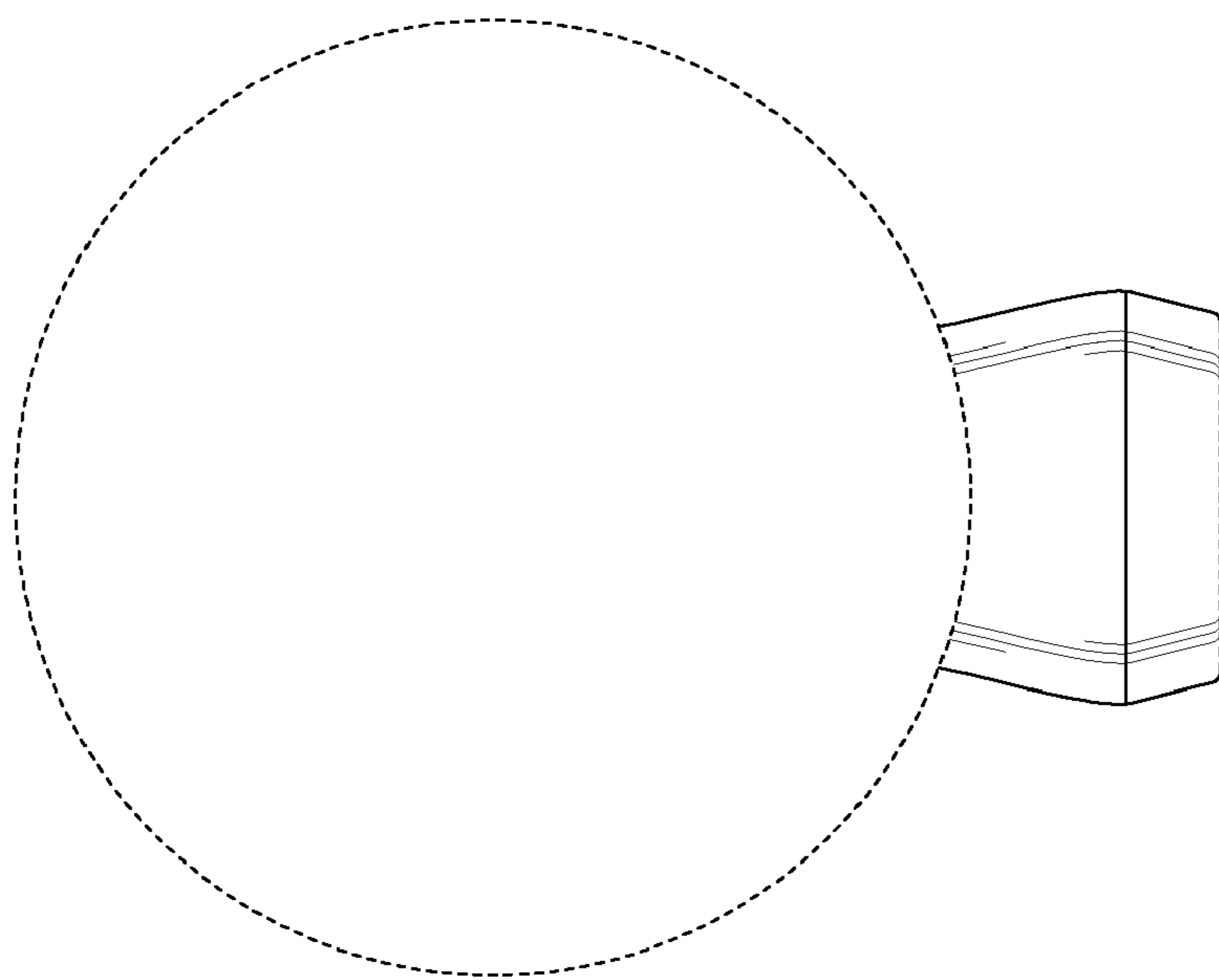




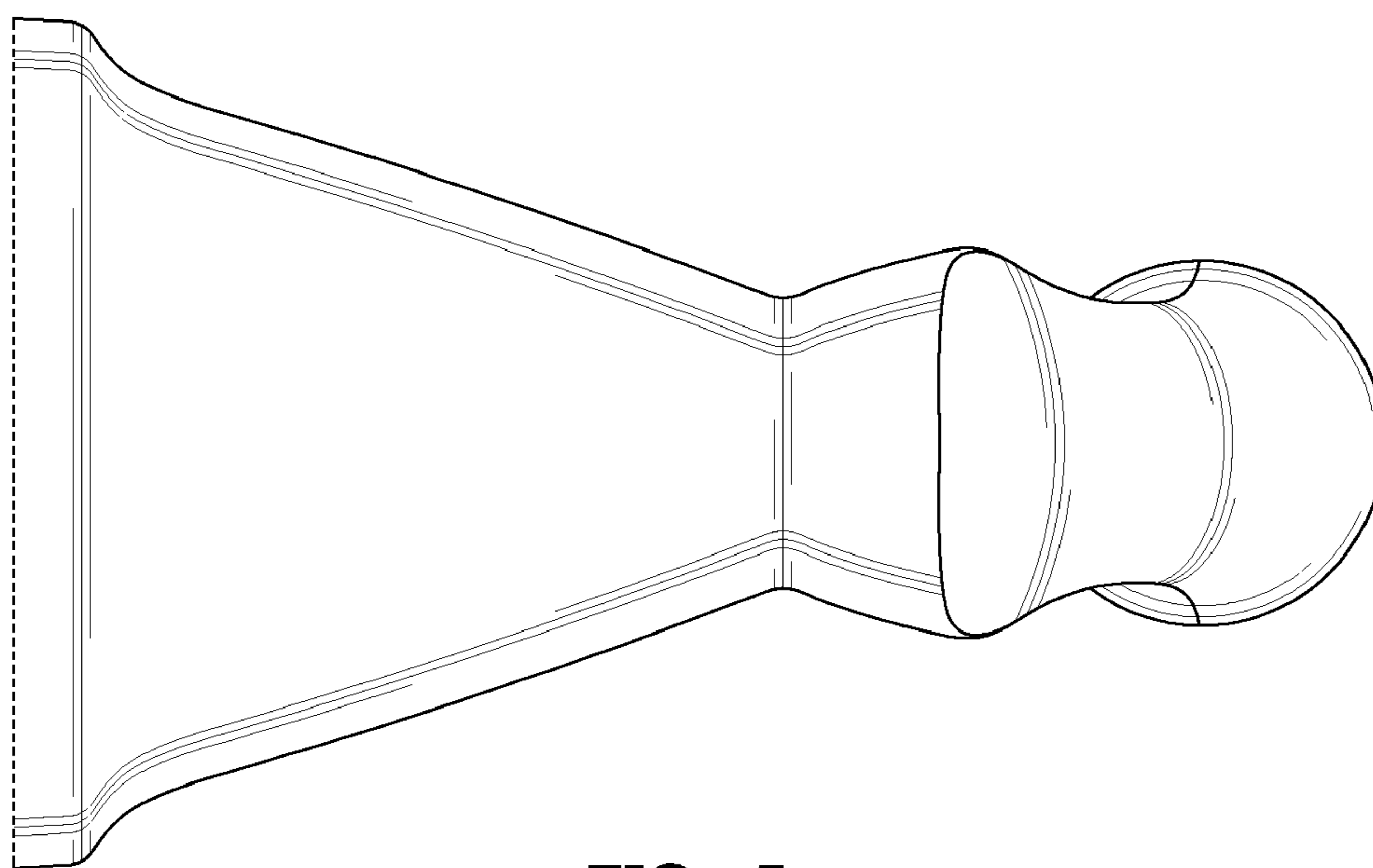
**FIG. 1**



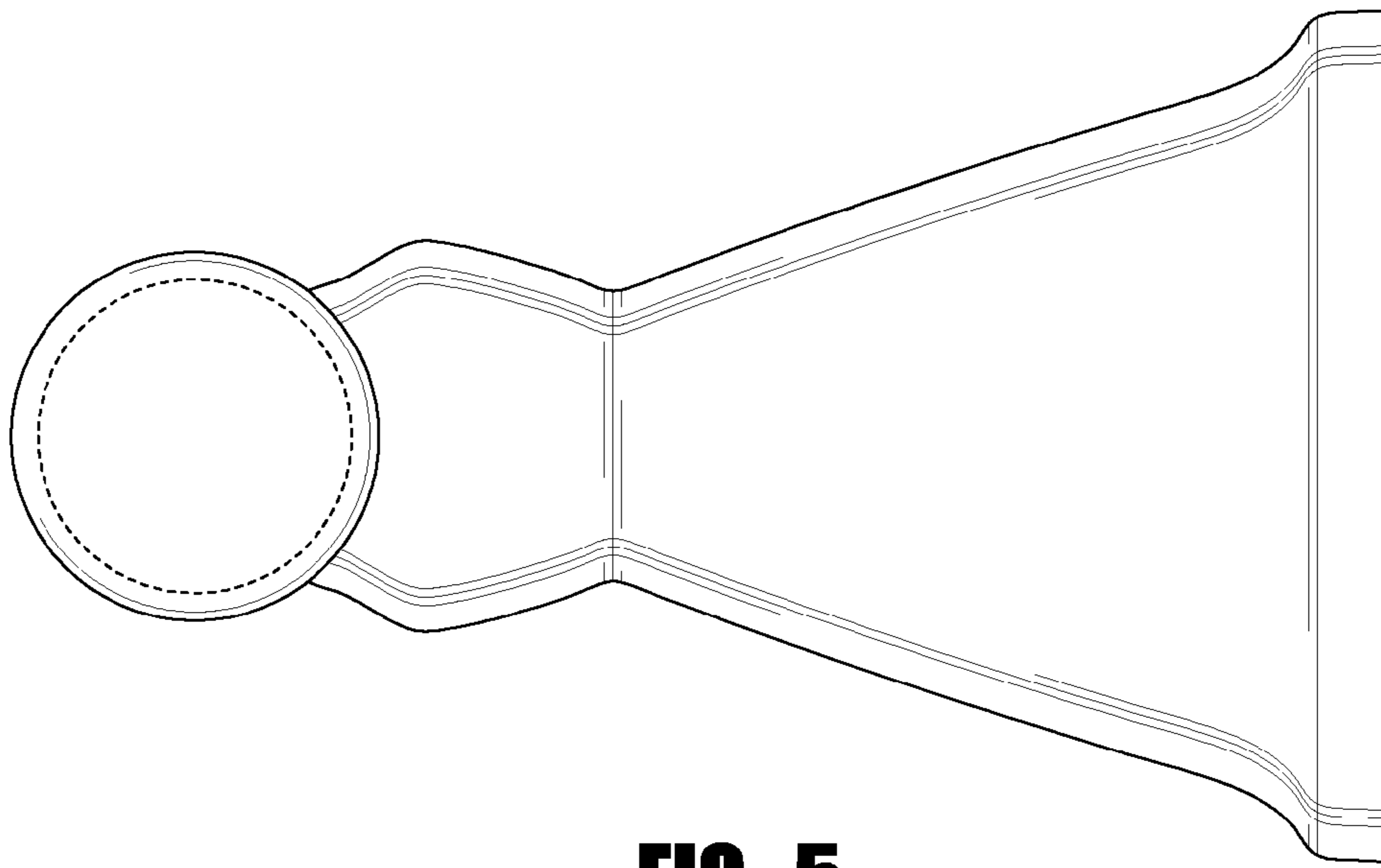
**FIG. 2**



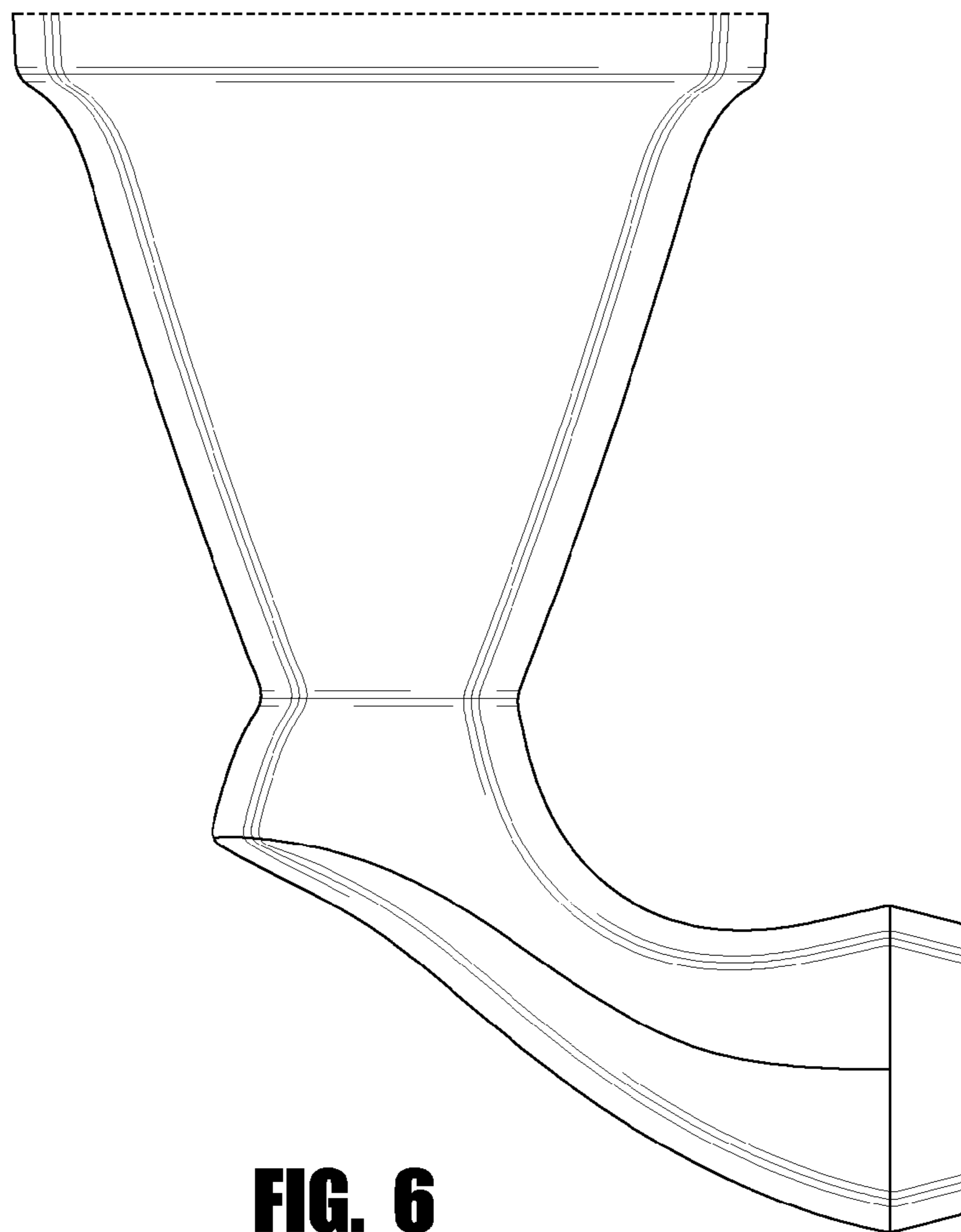
**FIG. 3**



**FIG. 4**



**FIG. 5**



**FIG. 6**