



US00D635379S

(12) **United States Design Patent**  
**Klein et al.**

(10) **Patent No.:** **US D635,379 S**

(45) **Date of Patent:** **\*\* Apr. 5, 2011**

(54) **SHELF DIVIDER**

(76) Inventors: **Richard B. Klein**, Overland Park, KS (US); **Mark A. Etter**, Independence, MO (US)

(\*\*) Term: **14 Years**

(21) Appl. No.: **29/376,412**

(22) Filed: **Oct. 6, 2010**

(51) **LOC (9) Cl.** ..... **06-06**

(52) **U.S. Cl.** ..... **D6/492**

(58) **Field of Classification Search** ..... D6/313, D6/419, 396-397, 449, 462, 487, 492, 499, D6/546, 566; D19/34.1; D7/631; 211/41.4, 211/43, 51, 90.03, 85.31, 106, 112, 119, 211/126.8, 126.9, 133.2, 133.5; 47/80  
See application file for complete search history.

(56) **References Cited**

**U.S. PATENT DOCUMENTS**

3,063,567	A *	11/1962	Campbell	.....	211/43
D216,515	S *	1/1970	Sankey	.....	D19/34.1
D285,152	S *	8/1986	Smith	.....	D6/449
D329,762	S *	9/1992	Weeks	.....	D6/419
D336,106	S *	6/1993	Goodman et al.	.....	D19/34.1
D416,449	S *	11/1999	Goodman et al.	.....	D7/631
D450,543	S *	11/2001	Hannum et al.	.....	D7/631
D570,133	S *	6/2008	Goodman et al.	.....	D6/462
D585,094	S *	1/2009	Smith	.....	D19/90

\* cited by examiner

*Primary Examiner* — Elizabeth A Albert

*Assistant Examiner* — Kelley A Donnelly

(74) *Attorney, Agent, or Firm* — Stinson Morrison Hecker LLP

(57) **CLAIM**

The ornamental design for a shelf divider, as shown and described.

**DESCRIPTION**

FIG. 1 is a front perspective view of a first embodiment of the shelf divider;

FIG. 2 is a left side view thereof;

FIG. 3 is a right side view thereof;

FIG. 4 is a front plan view thereof;

FIG. 5 is a rear plan view thereof;

FIG. 6 is a top plan view thereof;

FIG. 7 is a bottom plan view thereof;

FIG. 8 is a front perspective view of a second embodiment of the shelf divider;

FIG. 9 is a left side view thereof;

FIG. 10 is a right side view thereof;

FIG. 11 is a front plan view thereof;

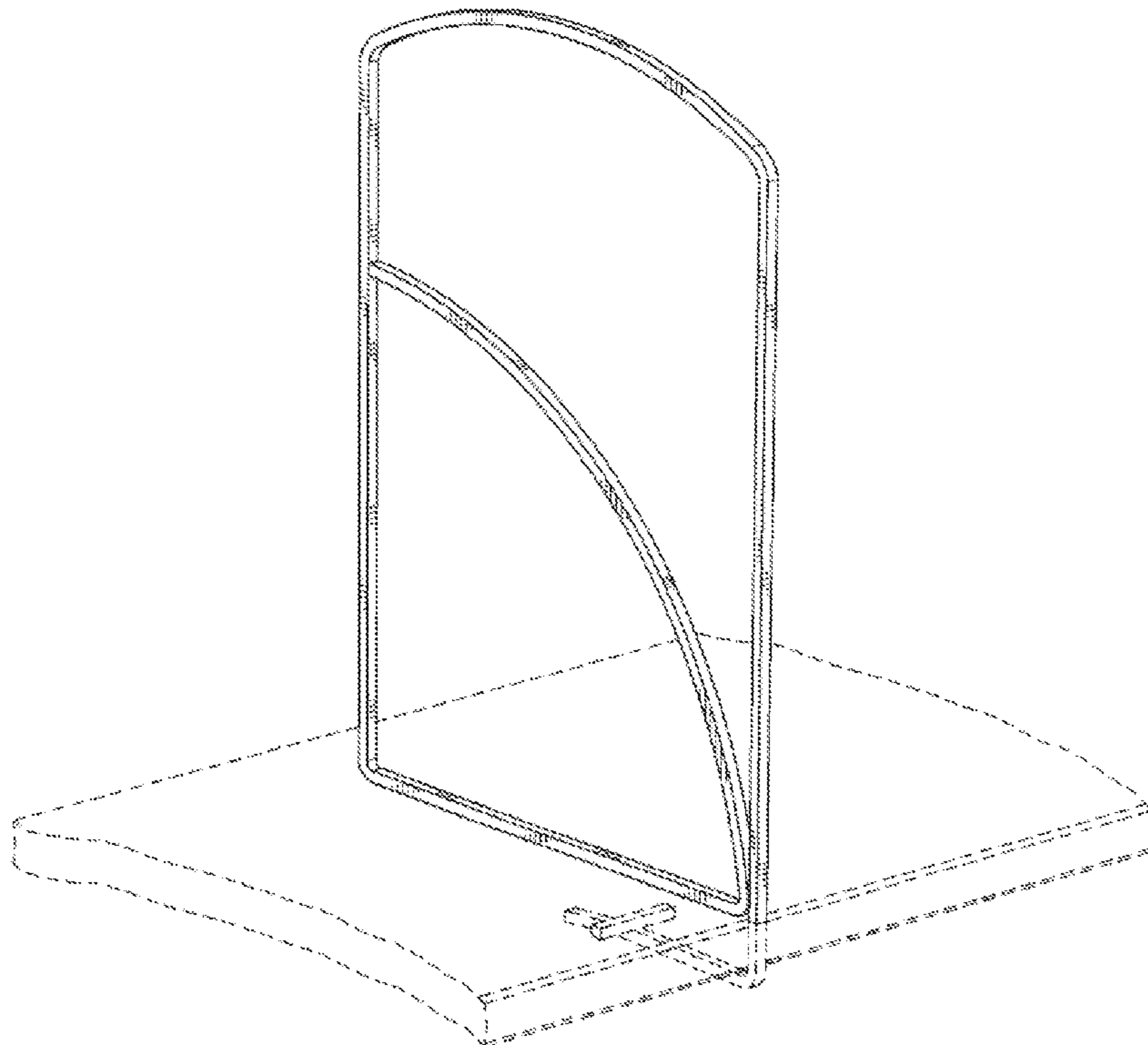
FIG. 12 is a rear plan view thereof;

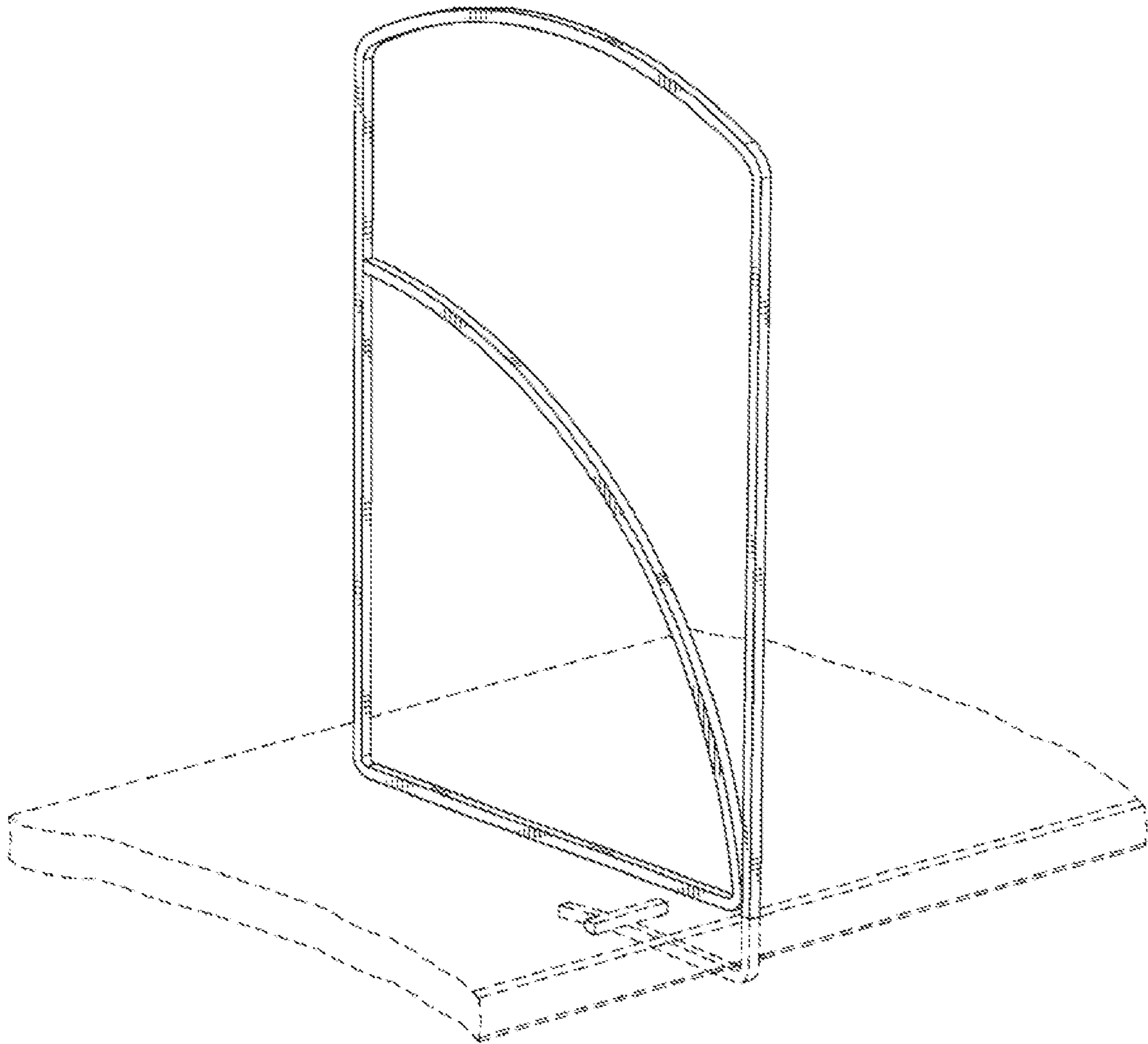
FIG. 13 is a top plan view thereof; and,

FIG. 14 is a bottom plan view thereof.

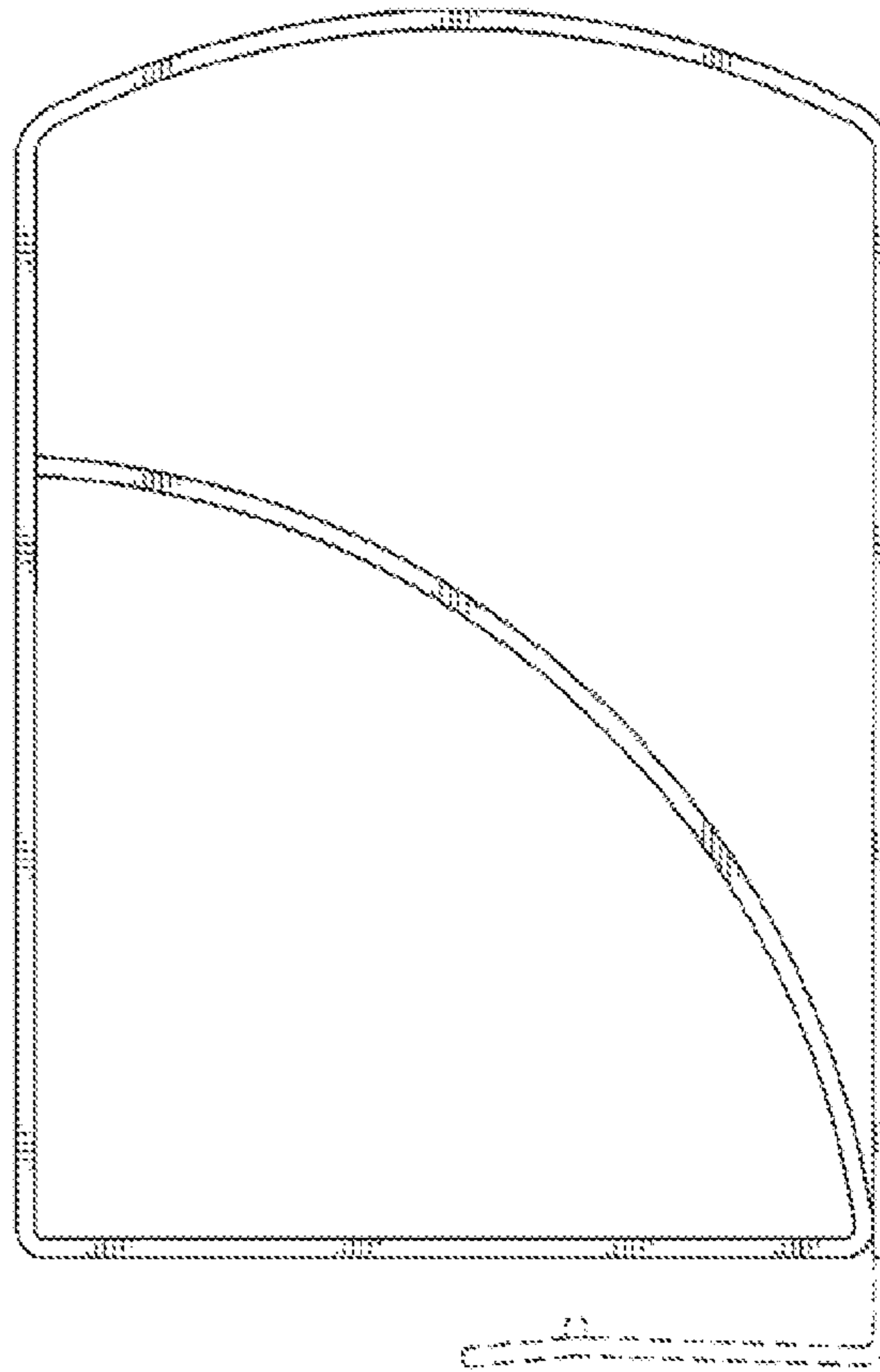
The broken lines showing is included for the purpose of illustrating environment of the article and forms no part of the claimed design.

**1 Claim, 6 Drawing Sheets**

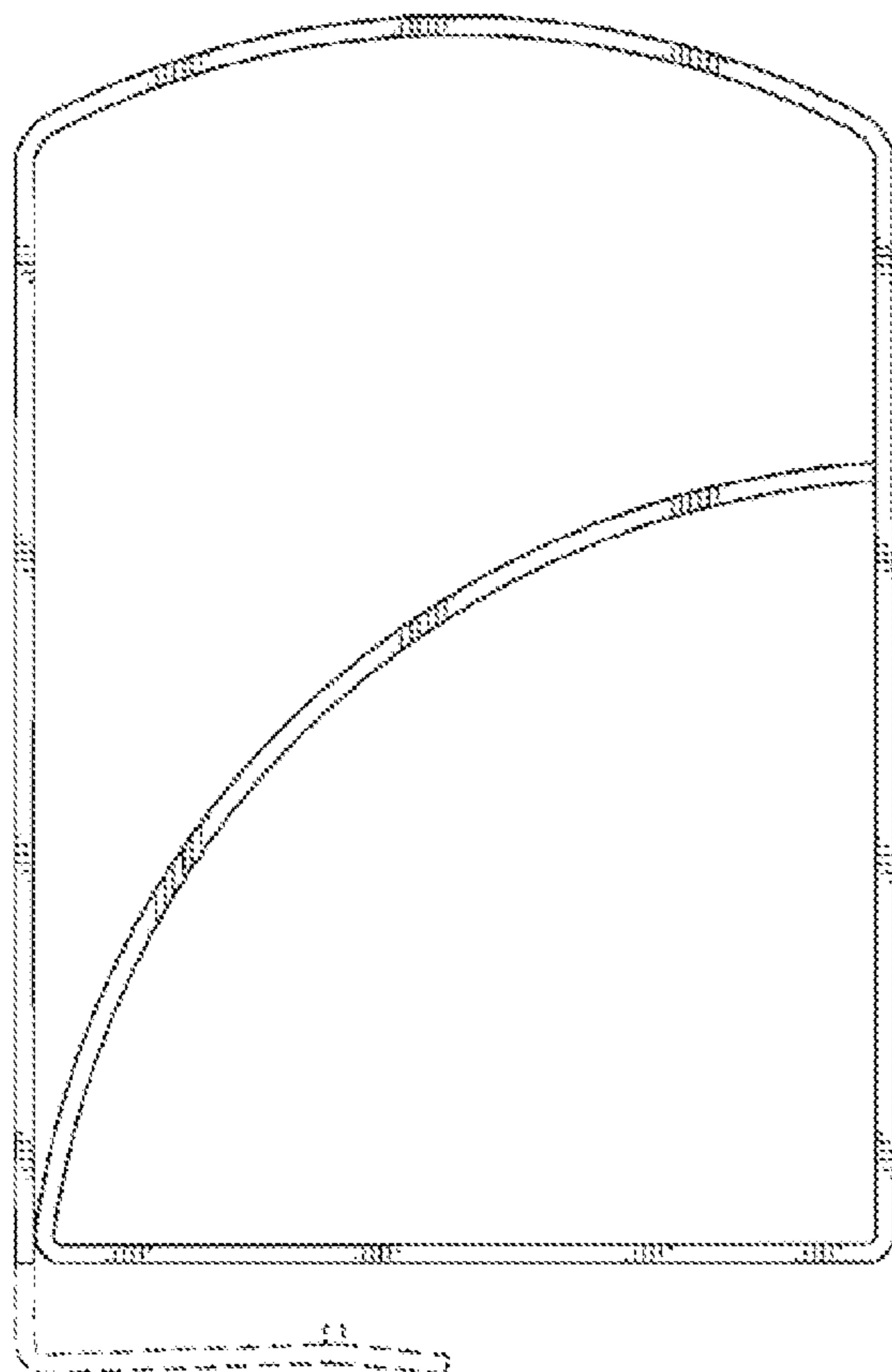




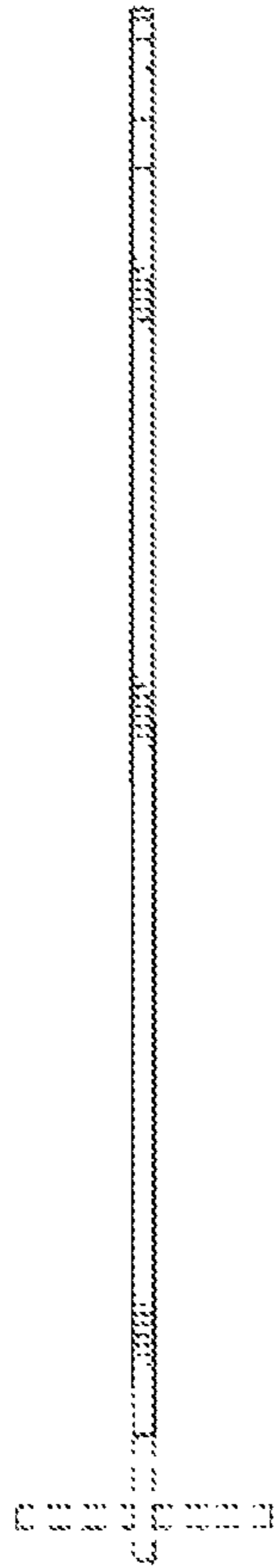
*FIG. 1*



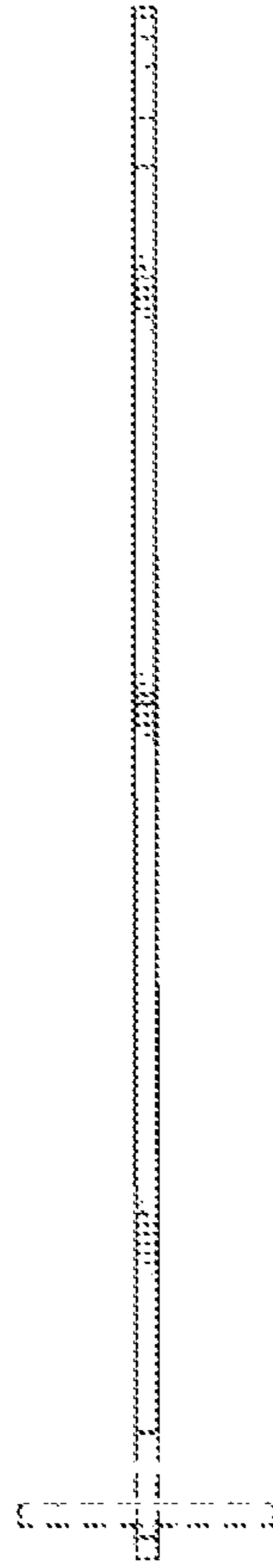
*FIG. 2*



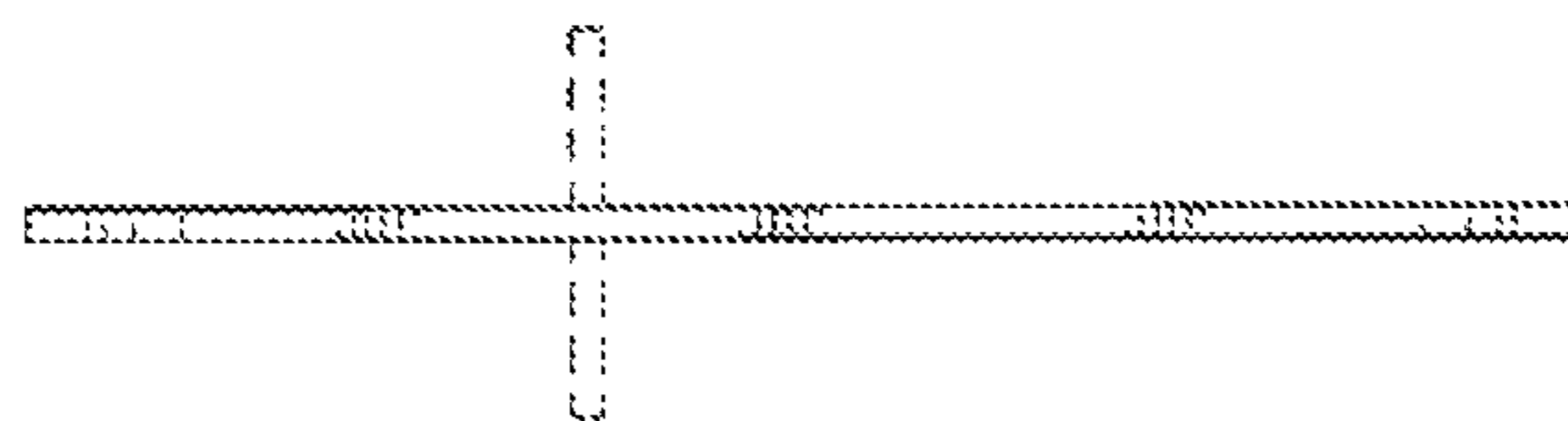
*FIG. 3*



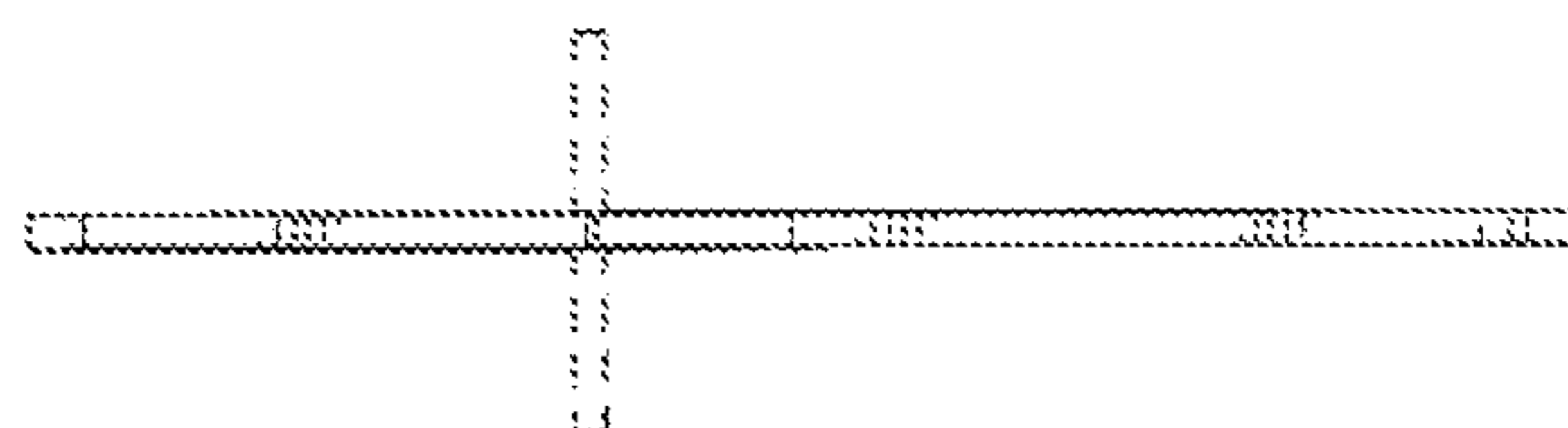
*FIG. 4*



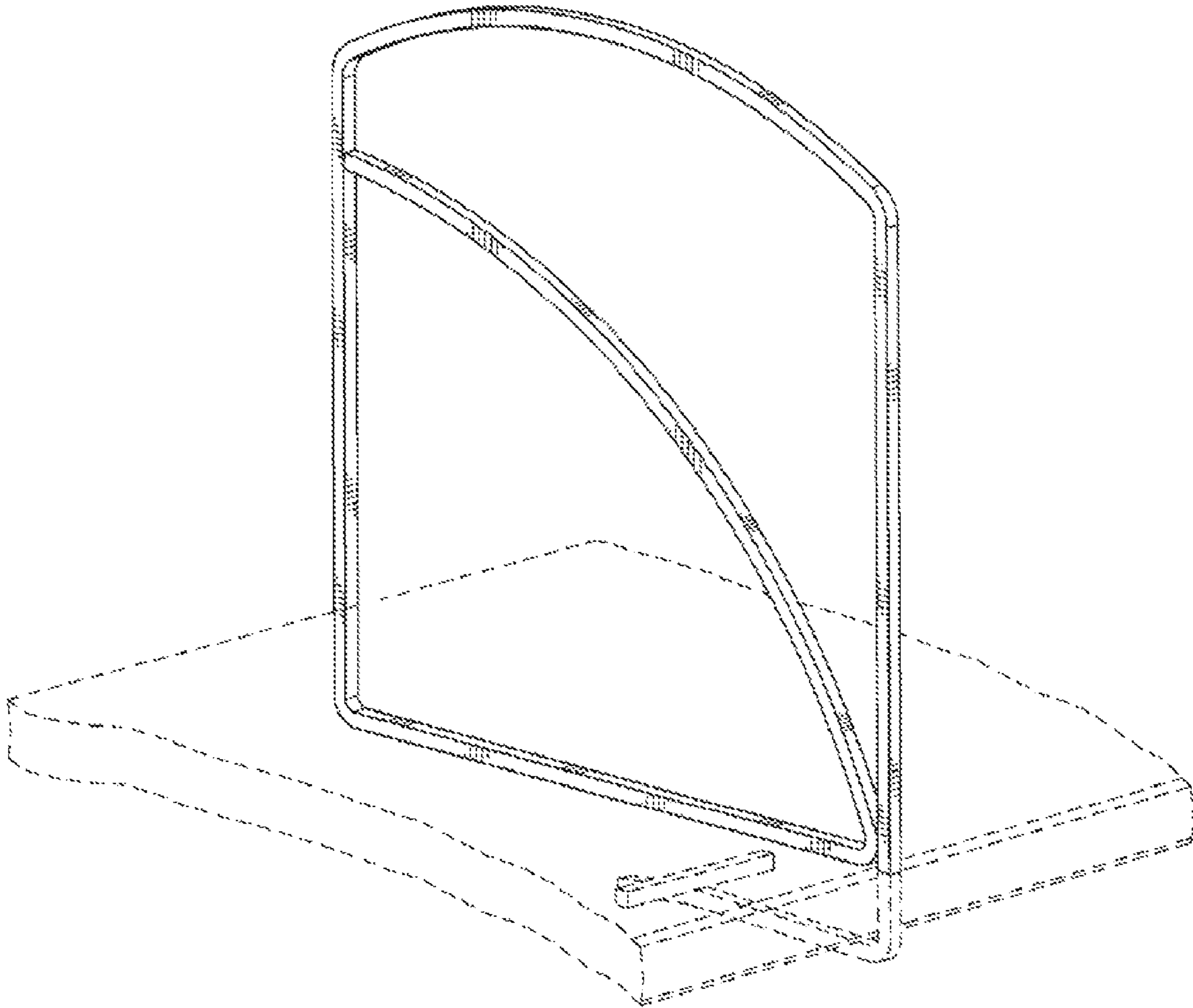
*FIG. 5*



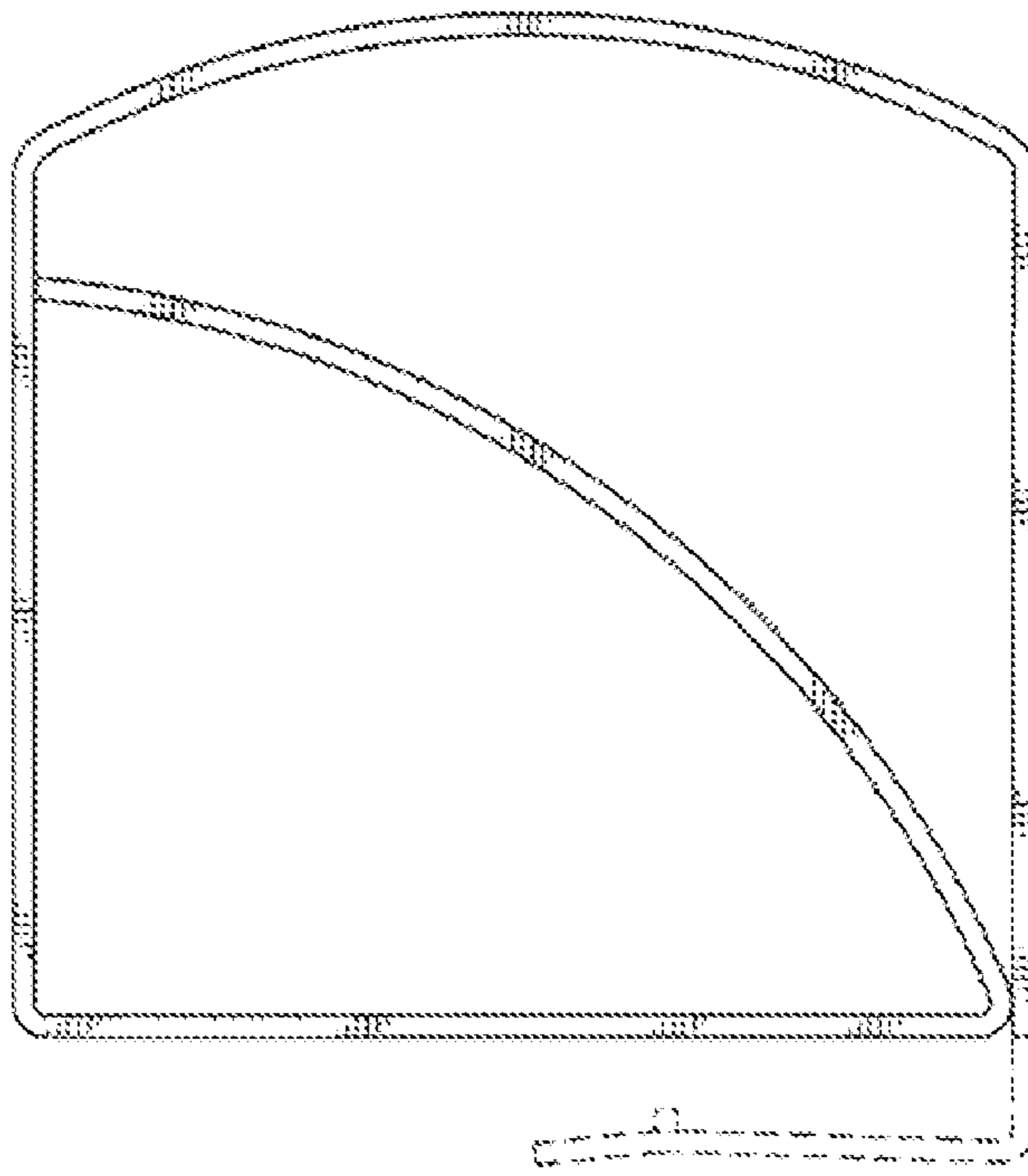
*FIG. 6*



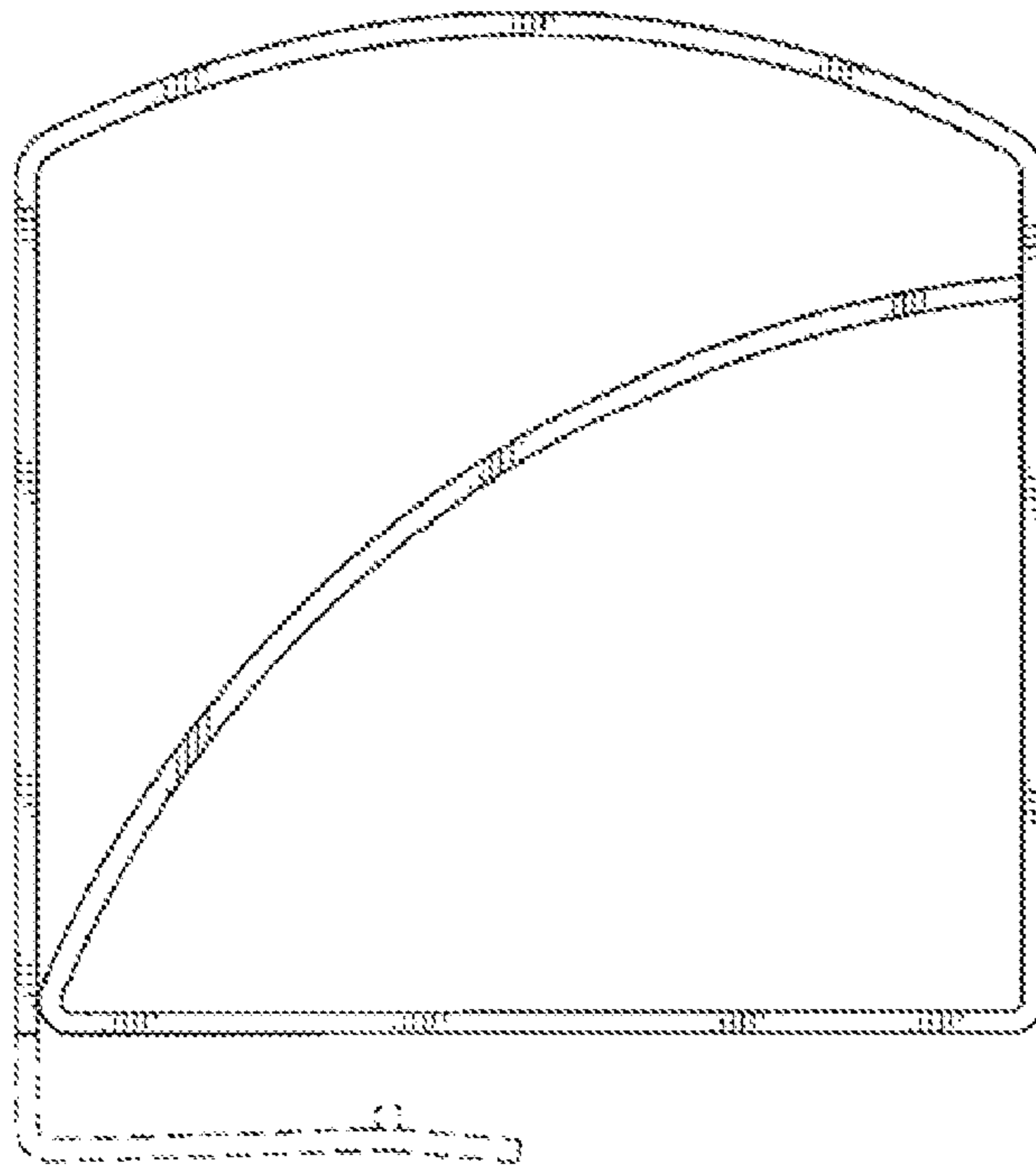
*FIG. 7*



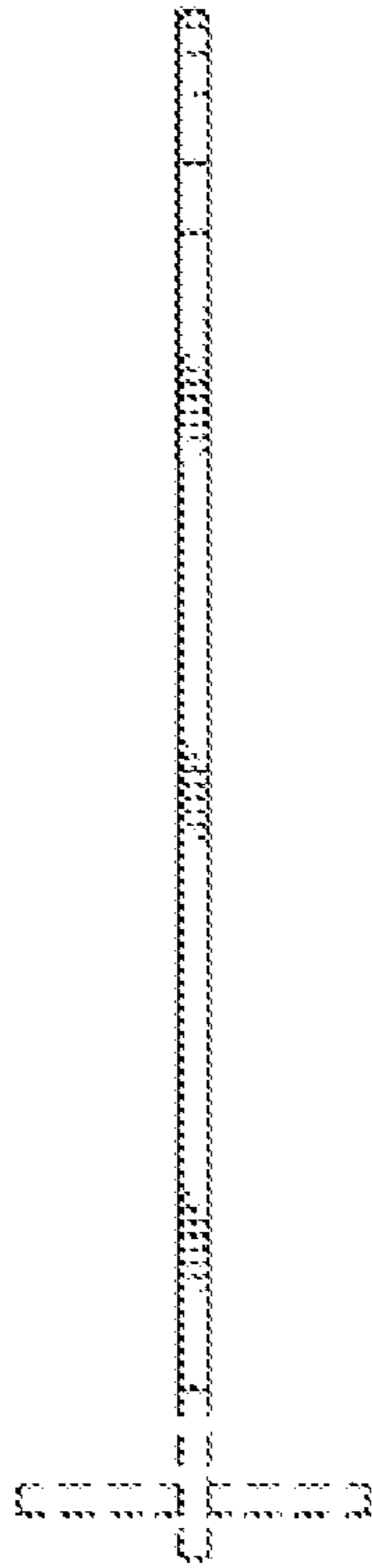
*FIG. 8*



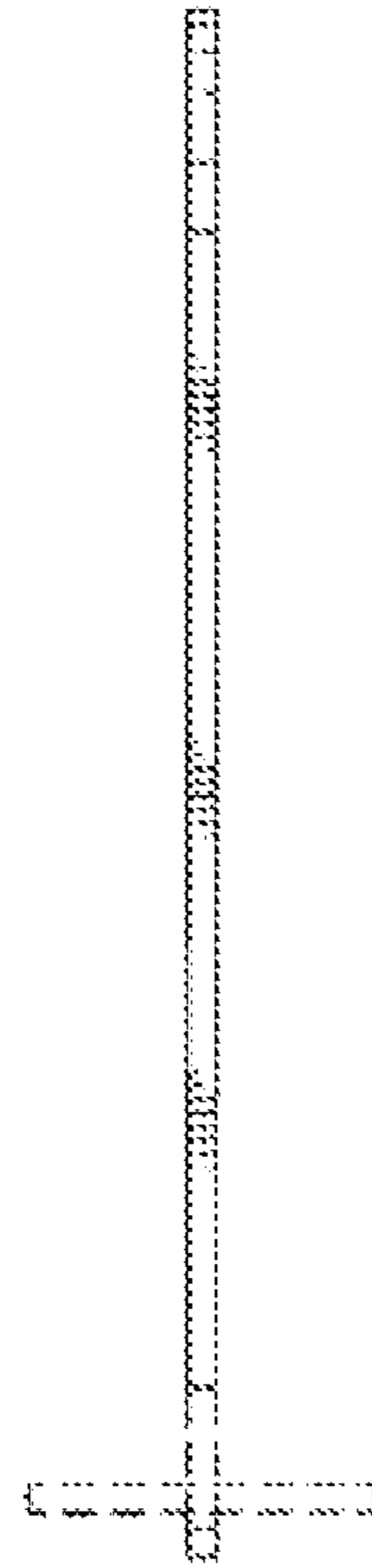
*FIG. 9*



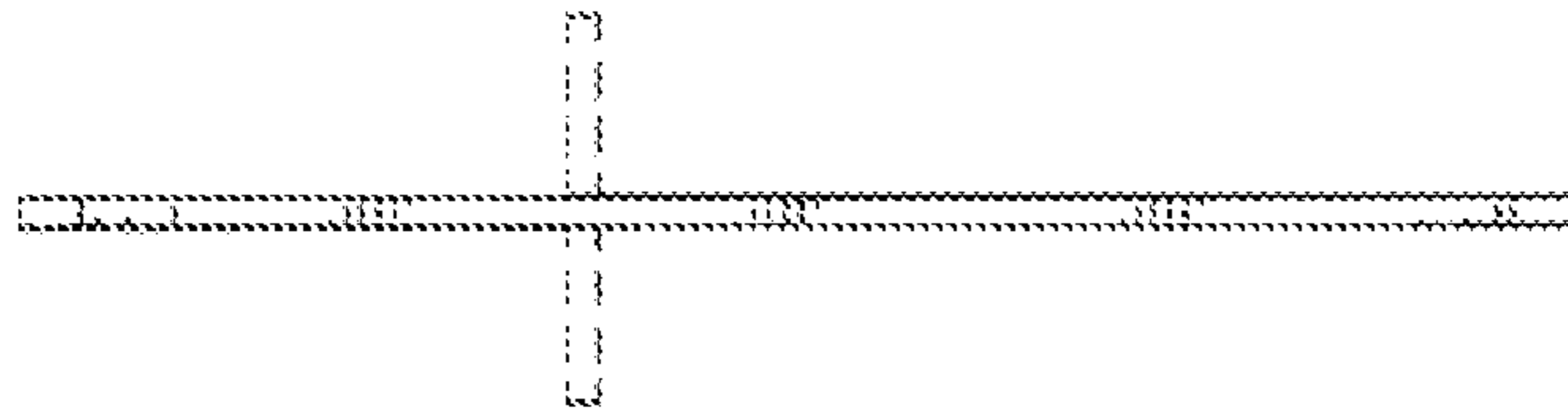
*FIG. 10*



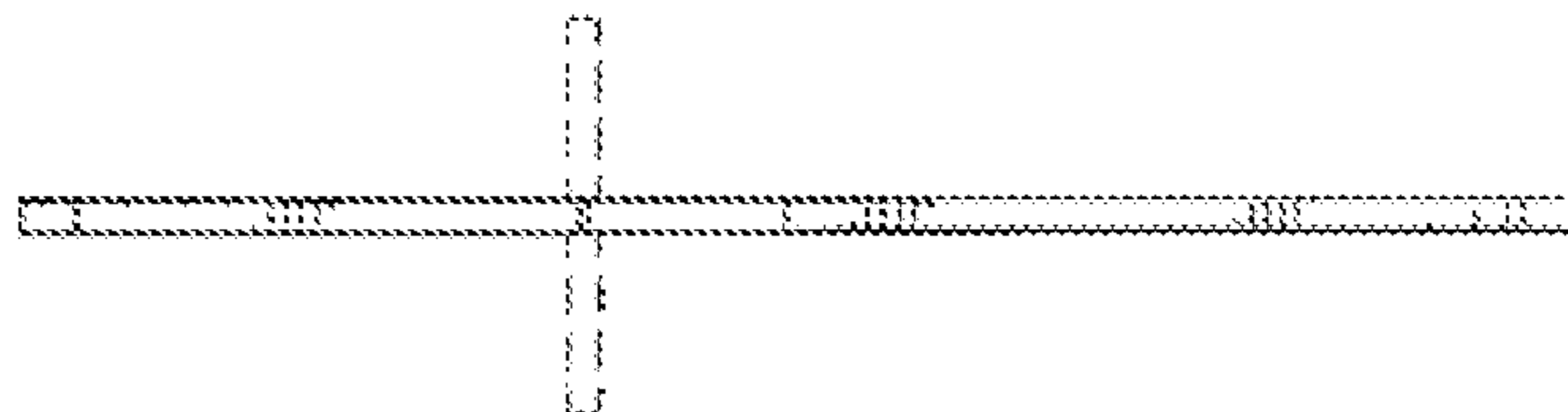
*FIG. 11*



*FIG. 12*



*FIG. 13*



*FIG. 14*

UNITED STATES PATENT AND TRADEMARK OFFICE  
**CERTIFICATE OF CORRECTION**

PATENT NO. : D635,379 S  
APPLICATION NO. : 29/376412  
DATED : April 5, 2011  
INVENTOR(S) : Richard B. Klein and Mark A. Etter

Page 1 of 1

It is certified that error appears in the above-identified patent and that said Letters Patent is hereby corrected as shown below:

Title page,

Item 56 References Cited, Other Publications,  
Insert:

--Photo of the Lynk Shelf Divider, on sale more than one year prior to the effective filing date of this application.

77000CAT – Over the Shelf Divider Small, downloaded from the internet on 8/30/2010 at <http://www.livingdirect.com/...2-Pack-White/77000CAT...>, on sale more than one year prior to the effective filing date of this application.

Solid Shelf Dividers (Item #25595B), downloaded from the internet on 8/30/10 at [http://www.taylorgifts.com/item/SOLID\\_SHELF\\_DIVIDERS/...](http://www.taylorgifts.com/item/SOLID_SHELF_DIVIDERS/...), on sale more than one year prior to the effective filing date of this application.

Spectrum Over-The-Shelf Divider Large 1-Pair, downloaded from the internet on 8/30/10 at <http://www.amazon.com/Spectrum-77100-Shelf-Divider-1-Pair/...>, on sale more than one year prior to the effective filing date of this application.--

Signed and Sealed this  
Eighth Day of November, 2011



David J. Kappos  
*Director of the United States Patent and Trademark Office*