



US00D635376S

(12) **United States Design Patent**  
**Cortivo et al.**

(10) **Patent No.:** **US D635,376 S**  
(45) **Date of Patent:** **\*\* Apr. 5, 2011**

(54) **DESK**

(75) Inventors: **Paolo Cortivo**, Treviso (IT); **Piergiorgio Polloni**, Treviso (IT); **Stefano Gabriel**, Treviso (IT)

(73) Assignee: **Quadrifoglio Sistemi D'Arredo S.p.A.**, Mansue' (IT)

(\*\*) Term: **14 Years**

(21) Appl. No.: **29/347,686**

(22) Filed: **Apr. 12, 2010**

**Related U.S. Application Data**

(62) Division of application No. 29/311,762, filed on Jun. 15, 2009.

(30) **Foreign Application Priority Data**

Dec. 22, 2008 (EM) ..... 001061220

(51) **LOC (9) Cl.** ..... **06-03**

(52) **U.S. Cl.** ..... **D6/422**

(58) **Field of Classification Search** ..... D6/422-428;  
312/194, 195, 238; 108/50.01, 50.02  
See application file for complete search history.

(56) **References Cited**

**U.S. PATENT DOCUMENTS**

D169,375 S \* 4/1953 Knoll ..... D6/426

D180,224 S \* 5/1957 Dalynn ..... D6/422  
D220,441 S \* 4/1971 Beavers ..... D6/422  
D277,623 S \* 2/1985 Palka ..... D6/423  
D324,963 S \* 3/1992 LaCour ..... D6/422  
D380,624 S \* 7/1997 Mezger ..... D6/422

\* cited by examiner

*Primary Examiner* — Janice E Seeger

(74) *Attorney, Agent, or Firm* — Modiano & Associati;  
Albert Josif; Daniel J. O'Byrne

(57) **CLAIM**

The ornamental design for a desk, as shown.

**DESCRIPTION**

FIG. 1 is a perspective view of the desk, showing our new design;

FIG. 2 is a front view thereof;

FIG. 3 is a rear view thereof;

FIG. 4 is a left side view thereof;

FIG. 5 is a right side view thereof;

FIG. 6 is a top view;

FIG. 7 is a bottom view thereof;

FIG. 8 is a first detail view thereof;

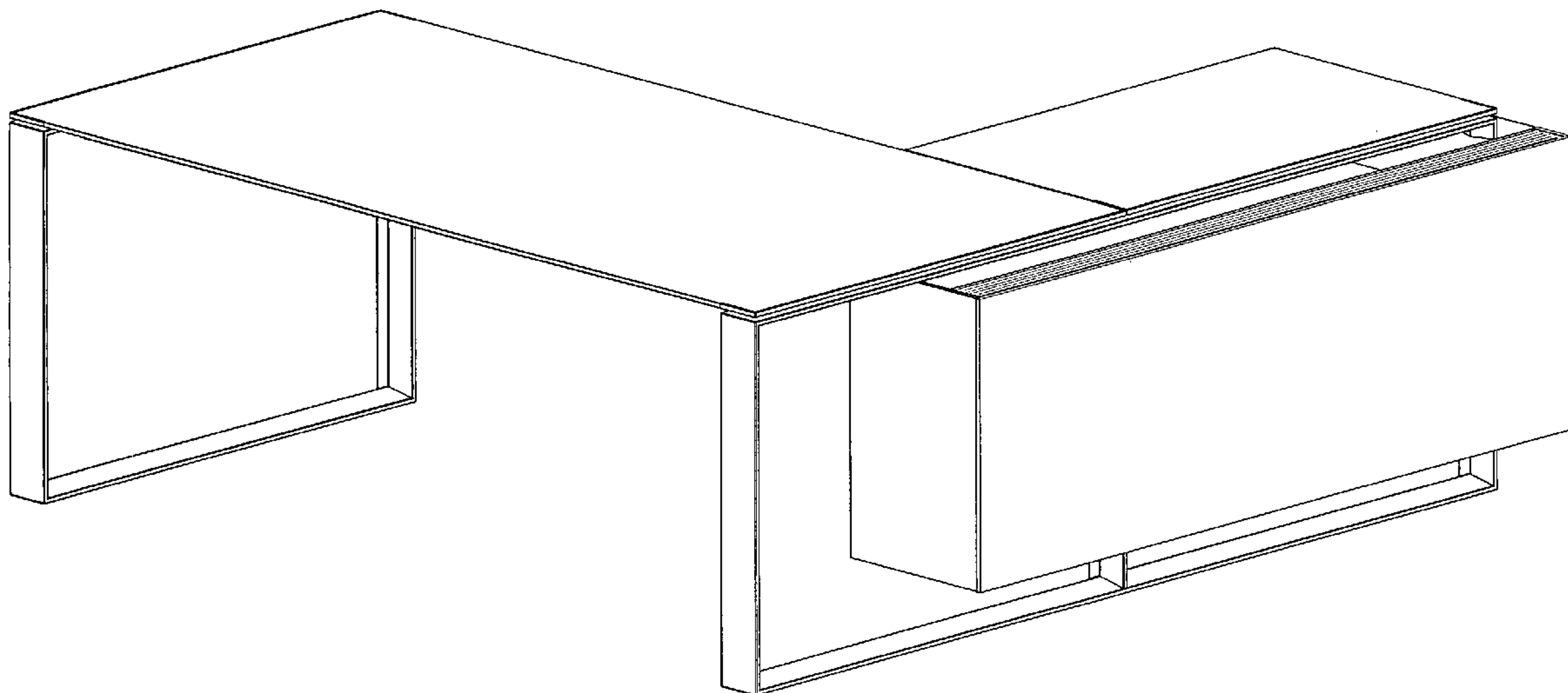
FIG. 9 is a second detail view thereof;

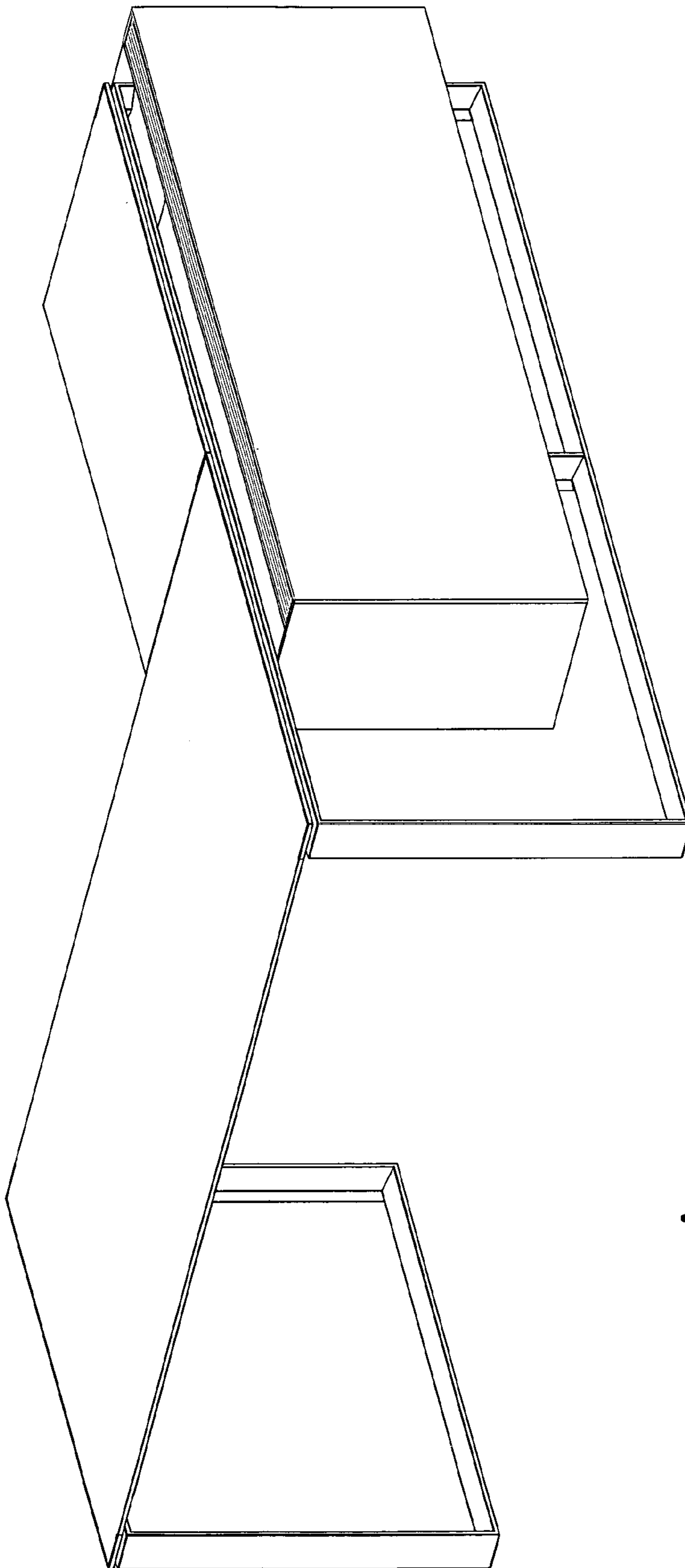
FIG. 10 is a third detail view thereof; and,

FIG. 11 is a fourth detail view thereof.

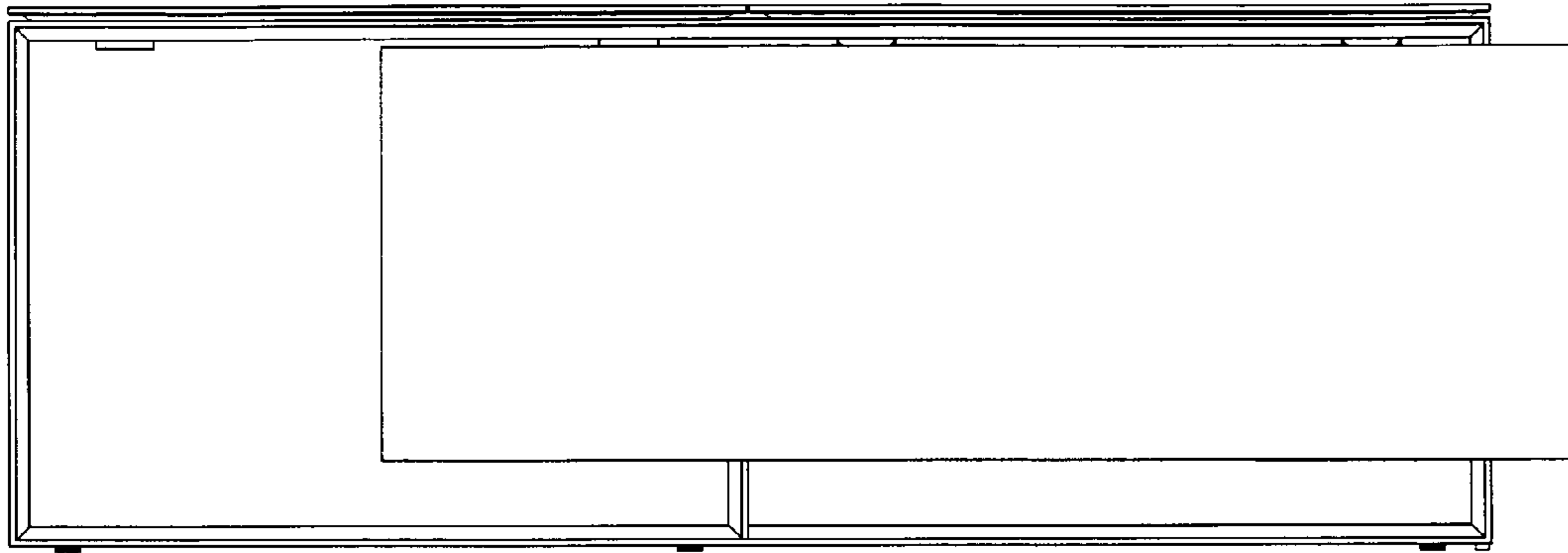
The broken lines are for environmental purposes only and form no part of the claimed design.

**1 Claim, 7 Drawing Sheets**

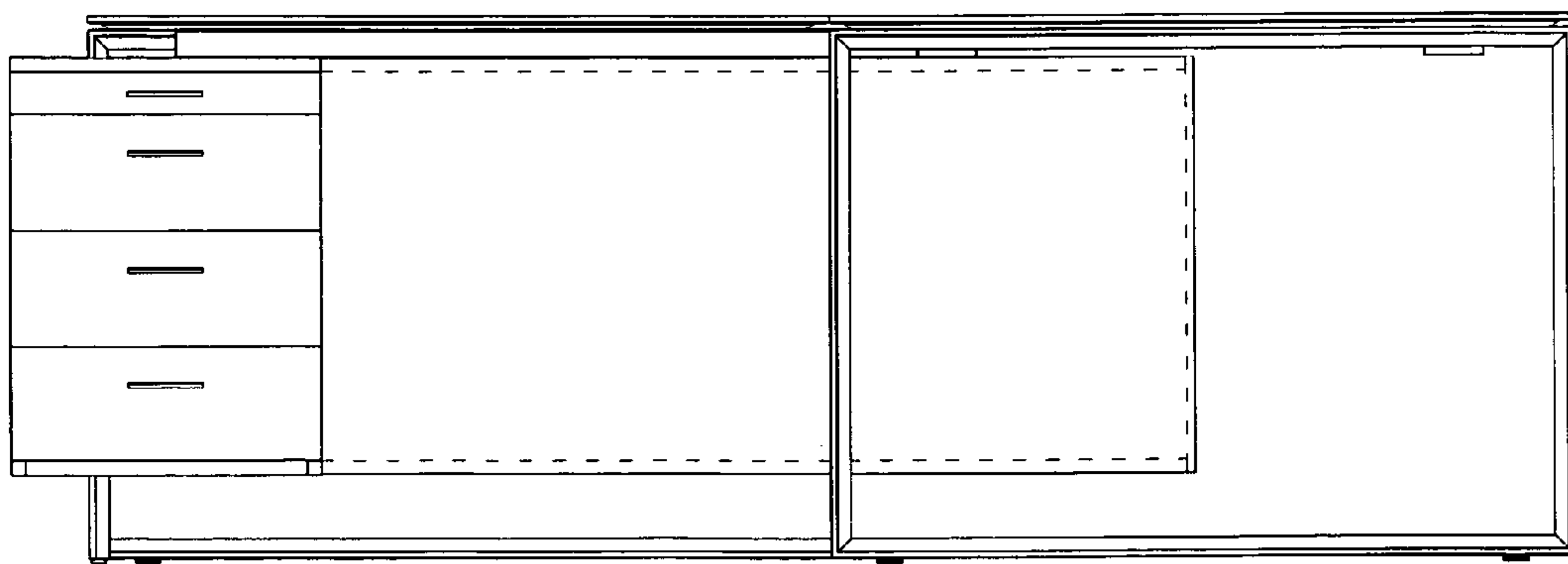




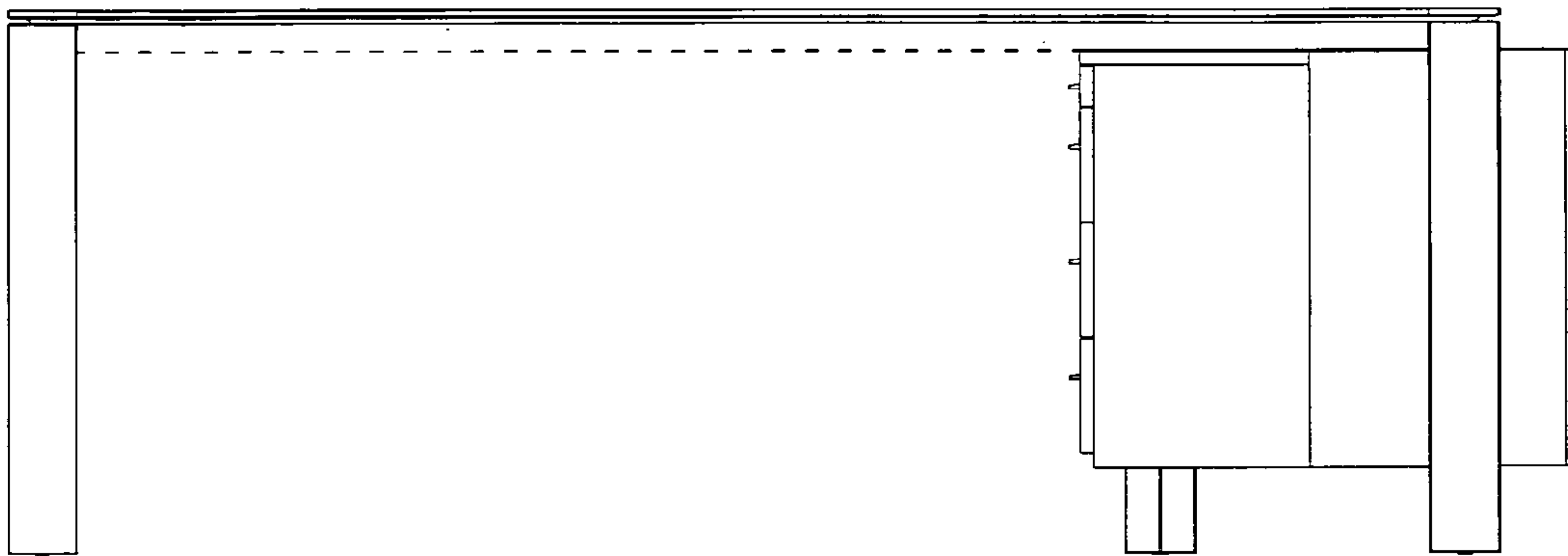
*Fig. 1*



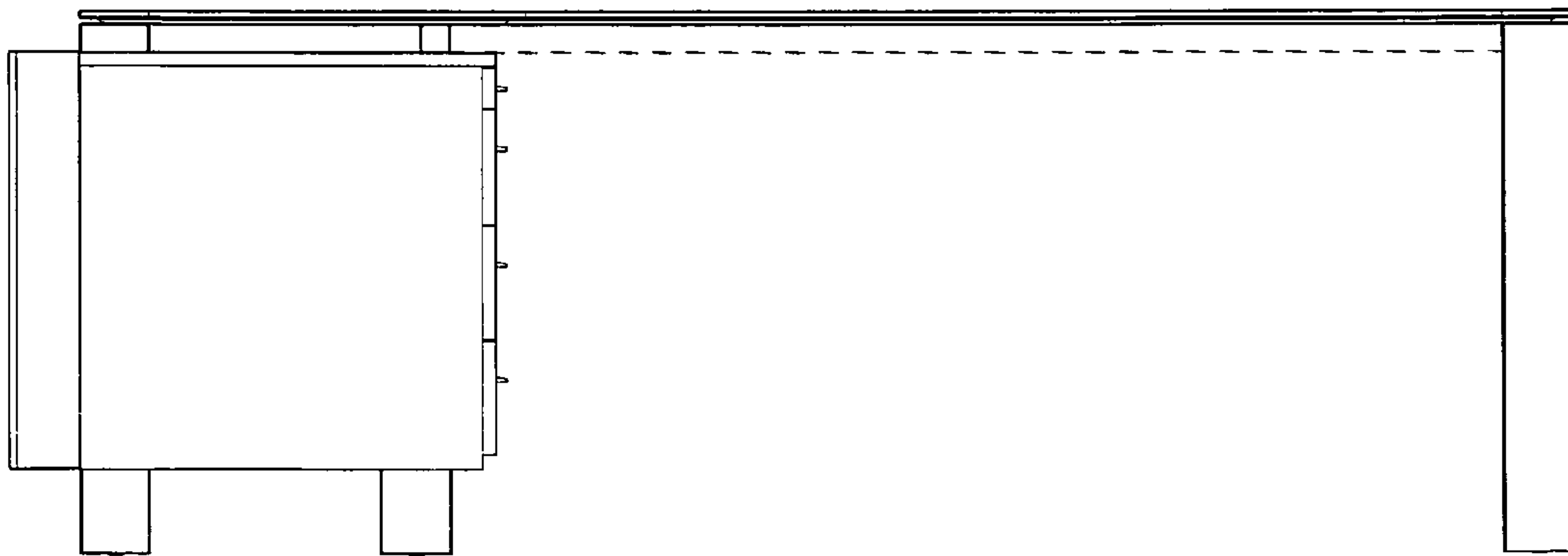
*Fig. 2*



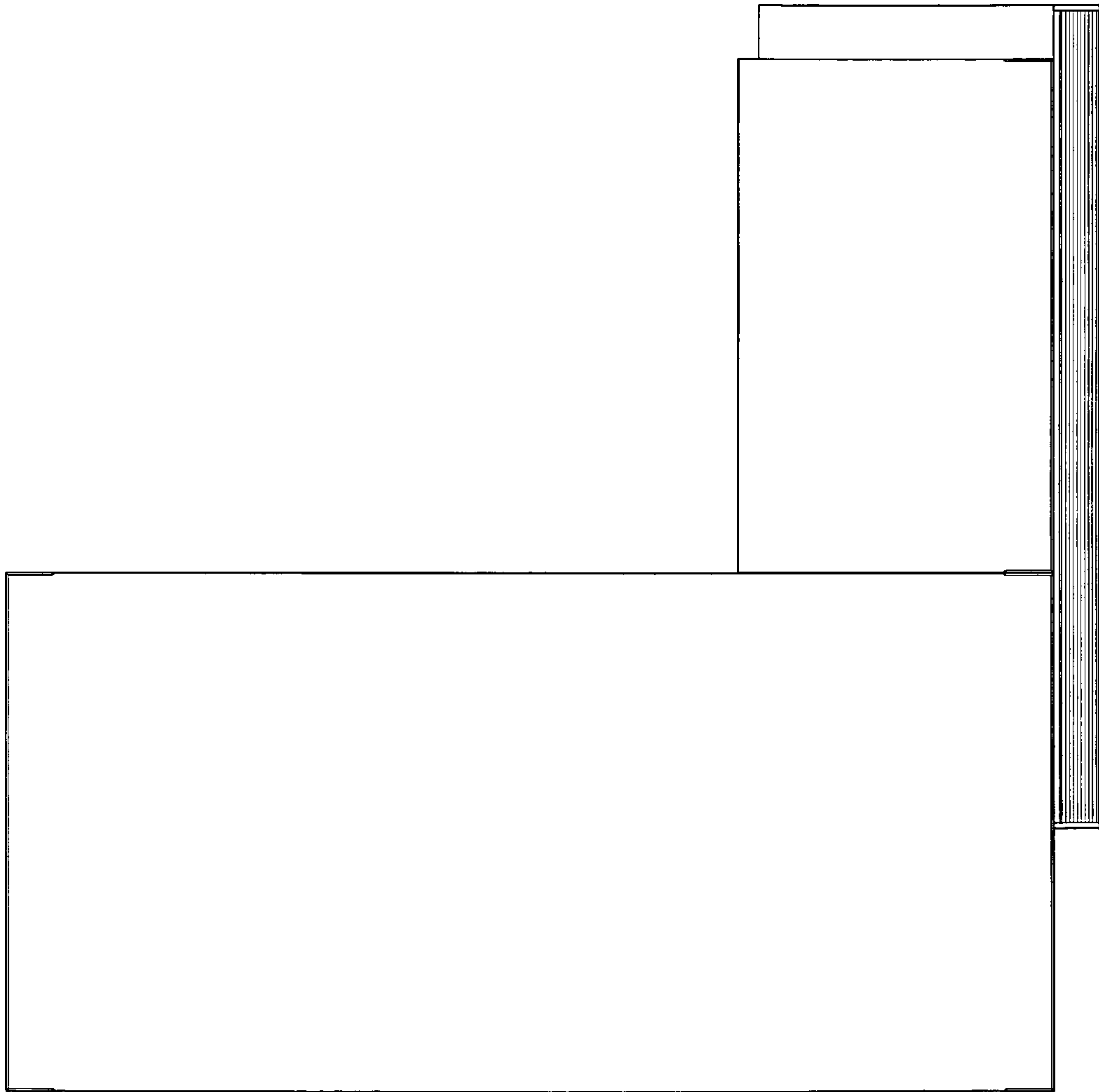
*Fig. 3*



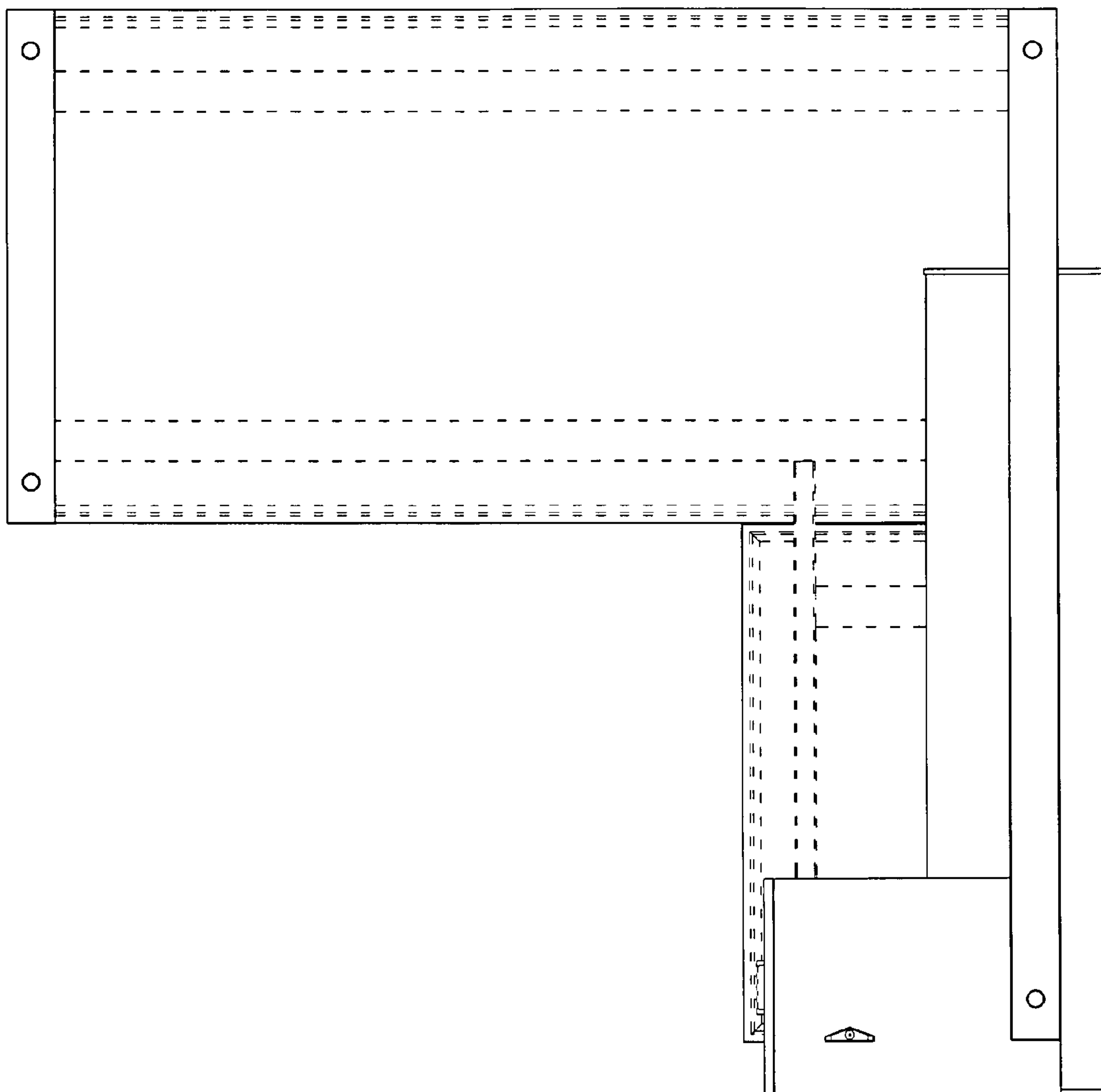
*Fig. 4*



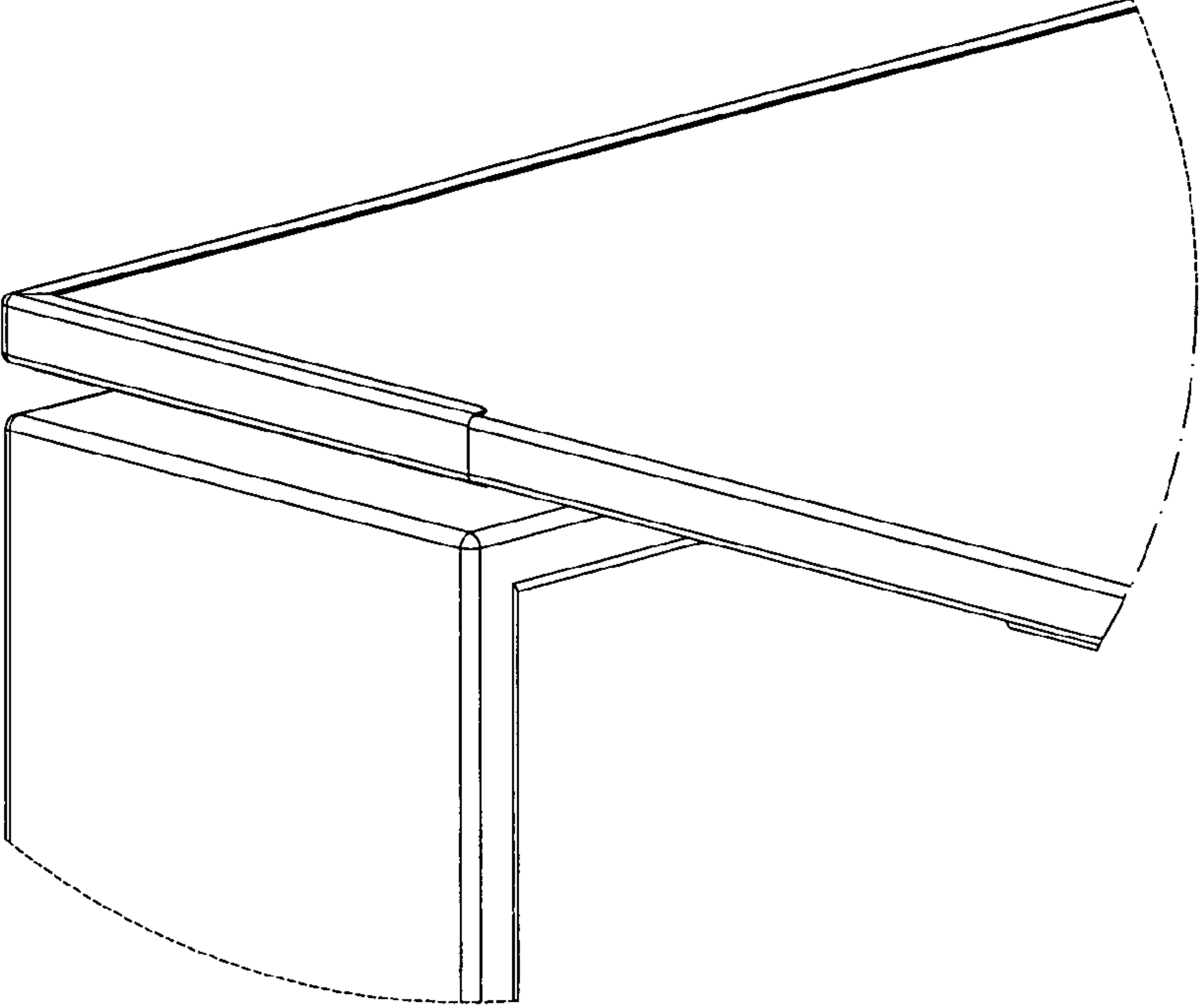
*Fig. 5*



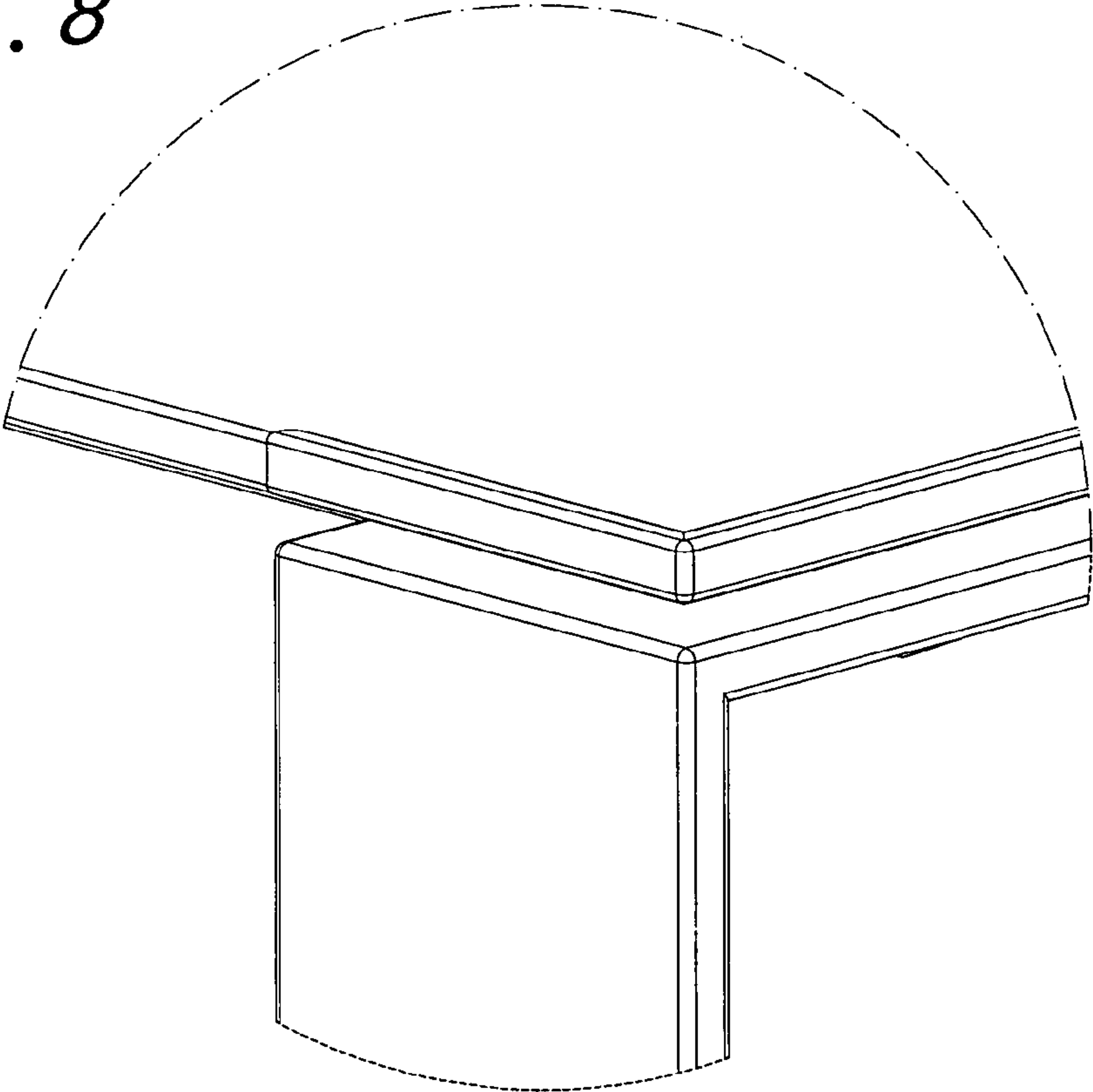
*Fig. 6*



*Fig. 7*

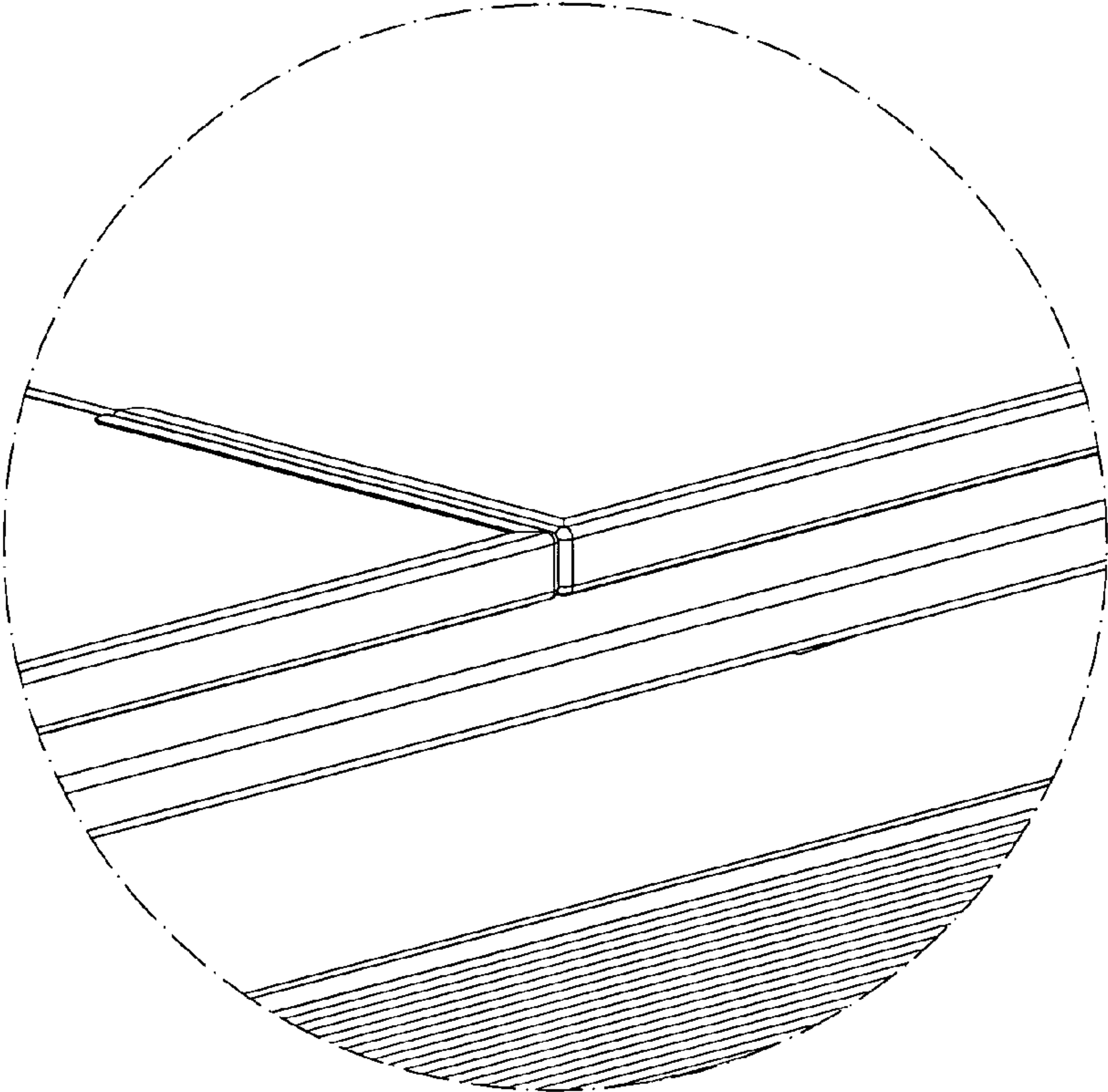


*Fig. 8*

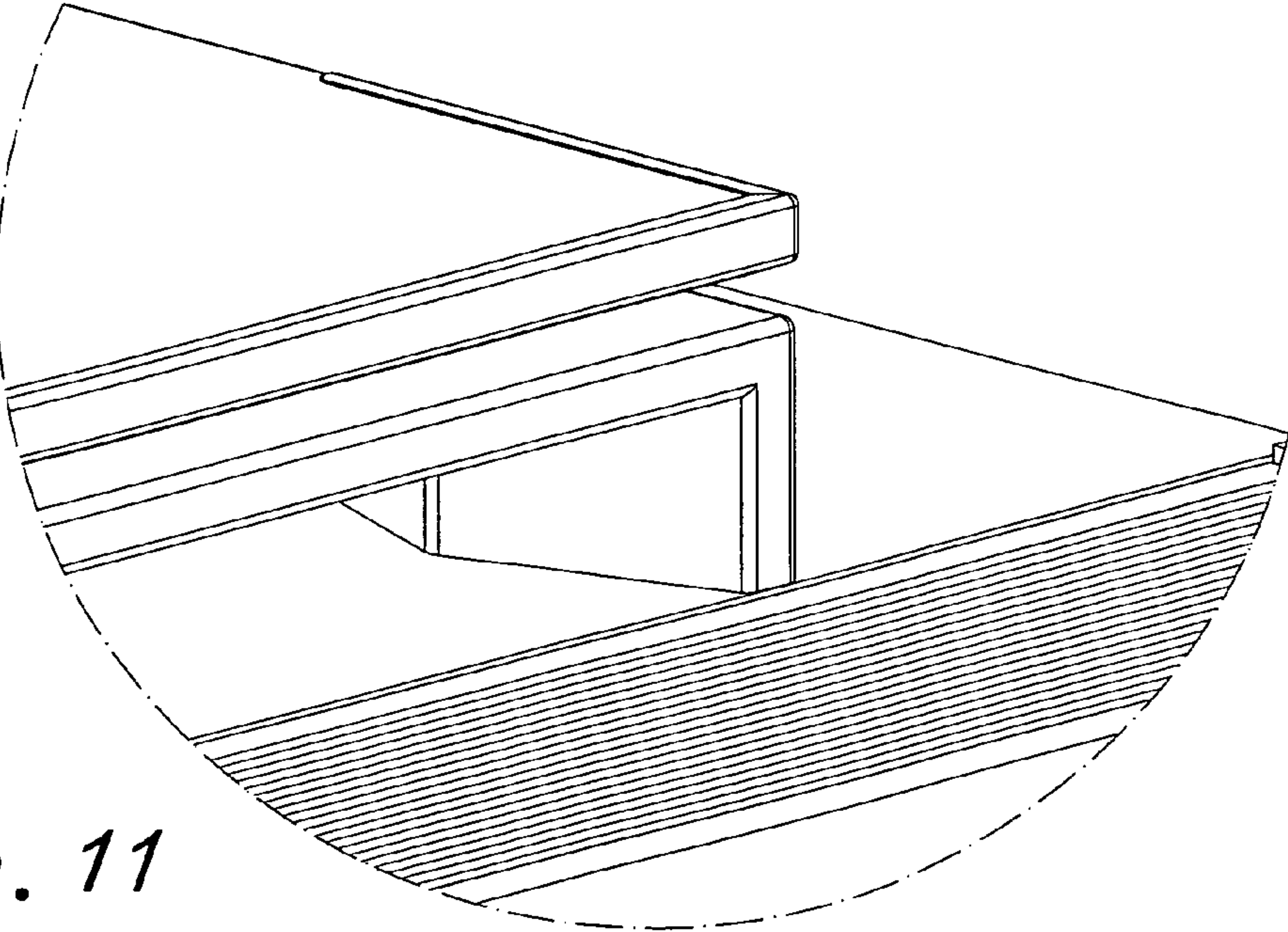


*Fig. 9*





*Fig. 10*



*Fig. 11*