



US00D635372S

(12) **United States Design Patent**
Taylor

(10) **Patent No.:** **US D635,372 S**

(45) **Date of Patent:** **** Apr. 5, 2011**

(54) **CHILD SEAT**

(76) Inventor: **Sylvia Taylor**, Manukau (NZ)

(**) Term: **14 Years**

(21) Appl. No.: **29/364,396**

(22) Filed: **Jun. 23, 2010**

(30) **Foreign Application Priority Data**

Dec. 23, 2009 (NZ) 413173

(51) **LOC (9) Cl.** **06-01**

(52) **U.S. Cl.** **D6/333**

(58) **Field of Classification Search** D6/333-339,
D6/491, 360, 375, 499, 500-502, 380;
D12/128-129; 5/93.1, 94, 99.1; 297/183.1,
297/183.2, 183.3, 183.4, 280.1, 255, 256.15,
297/440.23, 487, 440.1, 170, 174 R, 174 CS
See application file for complete search history.

(56) **References Cited**

U.S. PATENT DOCUMENTS

4,362,333 A * 12/1982 Cohen 297/174 CS
4,415,200 A * 11/1983 Bourne 297/174 CS

D315,252 S * 3/1991 Ho D6/333
D409,007 S * 5/1999 Osterweil-Glaz et al. D6/335
D419,311 S * 1/2000 Maggeni et al. D6/333
D421,343 S * 3/2000 Bennardo D6/333
D481,209 S * 10/2003 Chen D6/333
D577,209 S * 9/2008 Prent-de Jong et al. D6/333

* cited by examiner

Primary Examiner — Caron Veynar

Assistant Examiner — Abraham Bahta

(74) *Attorney, Agent, or Firm* — Greer, Burns & Crain, Ltd.

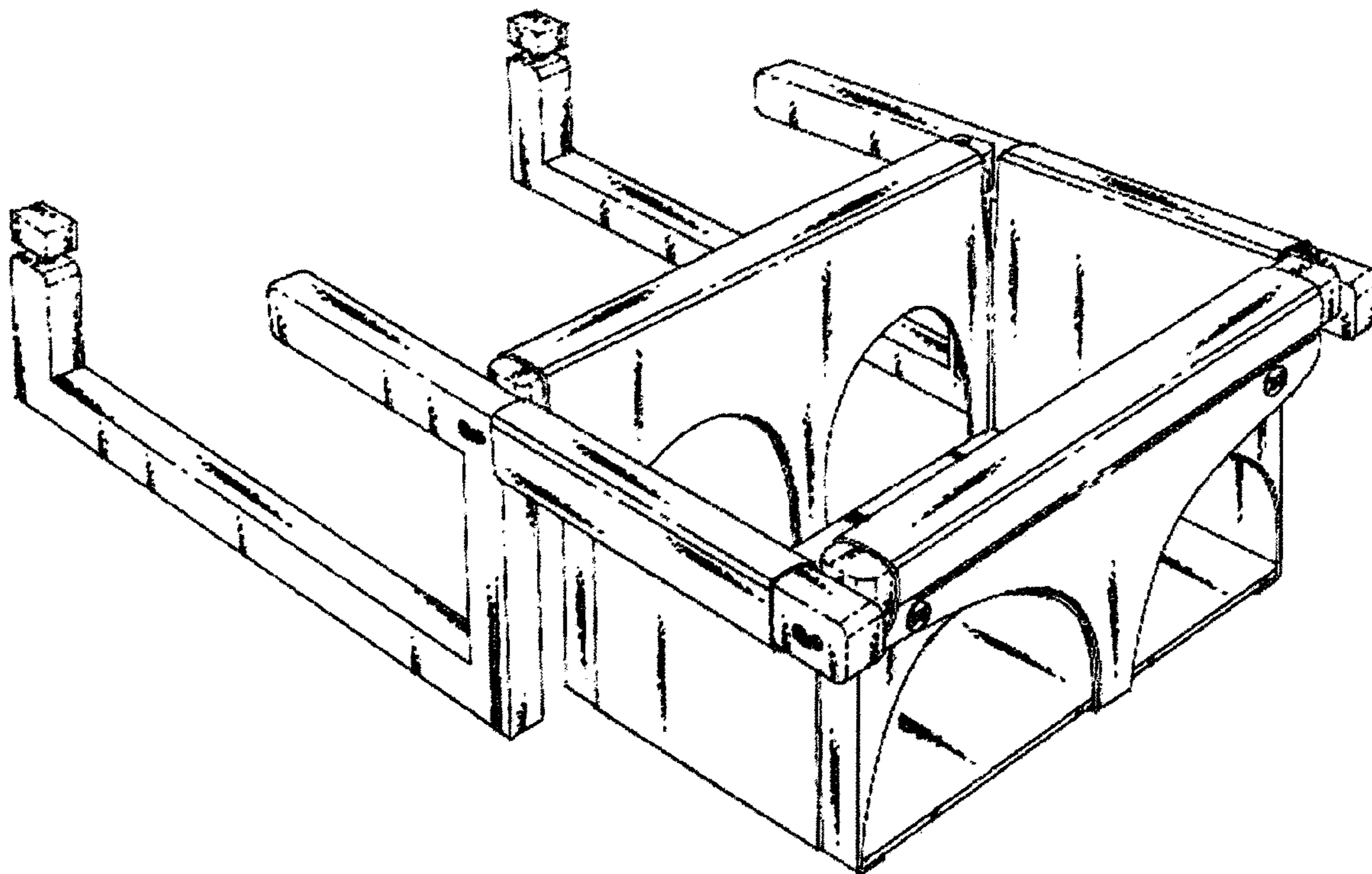
(57) **CLAIM**

The ornamental design for a child seat, as shown and described.

DESCRIPTION

FIG. 1 is a rear perspective view of the present child seat;
FIG. 2 is a front view of same;
FIG. 3 is a rear view of the present child seat;
FIG. 4 is a left side view of same;
FIG. 5 is a right side view of the present child seat; and,
FIG. 6 is a top view of same.

1 Claim, 6 Drawing Sheets



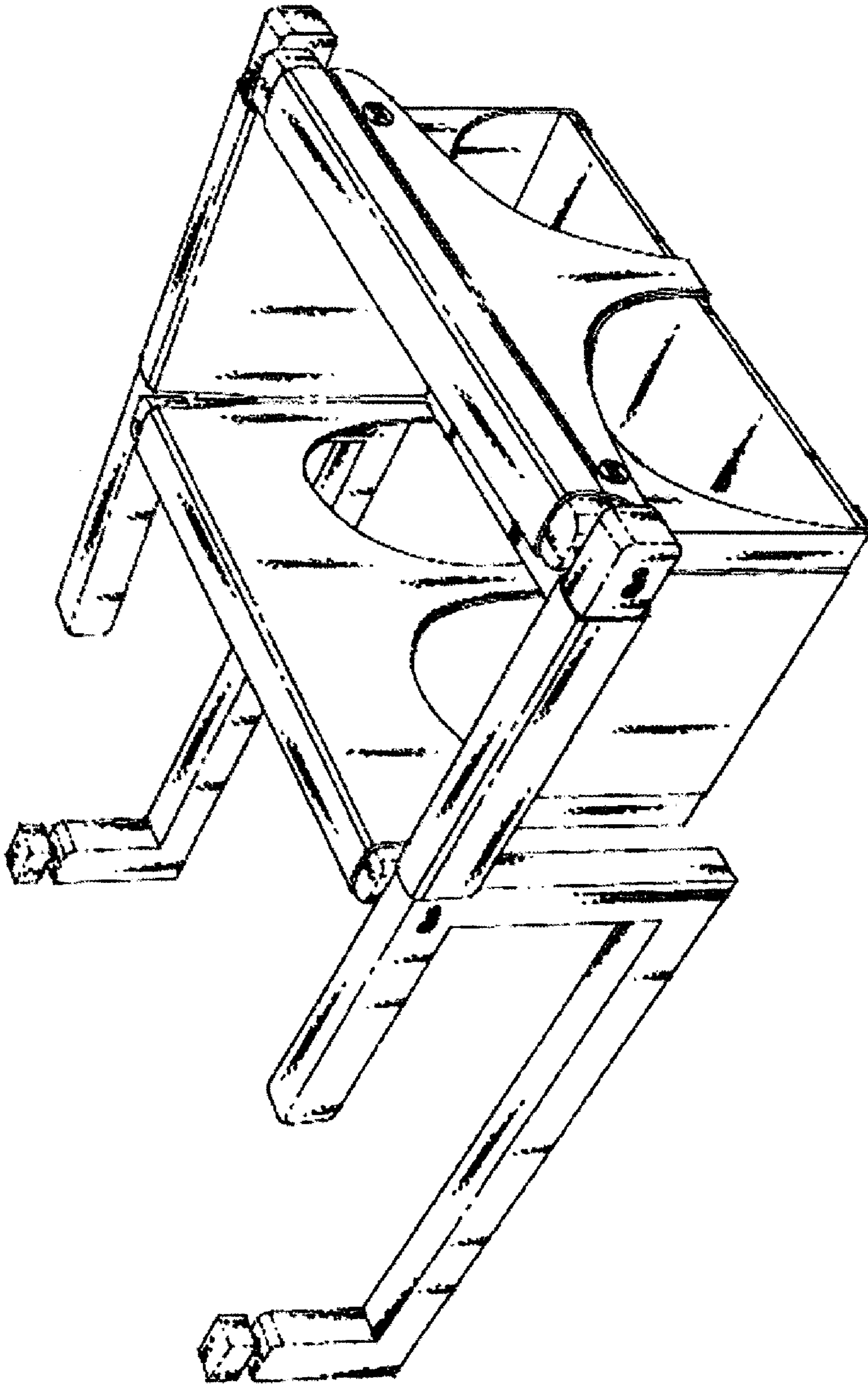


FIG.1

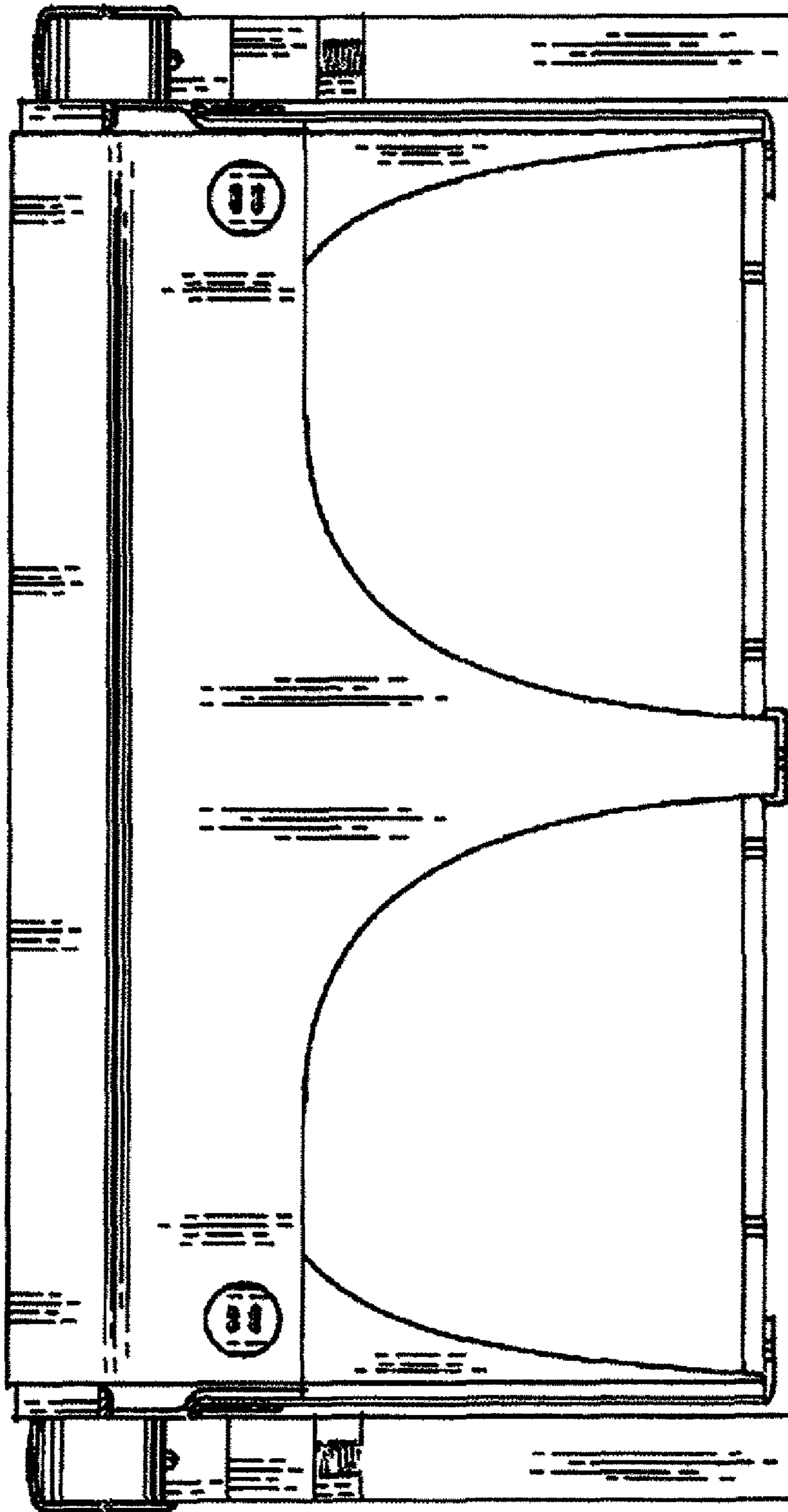


FIG.2

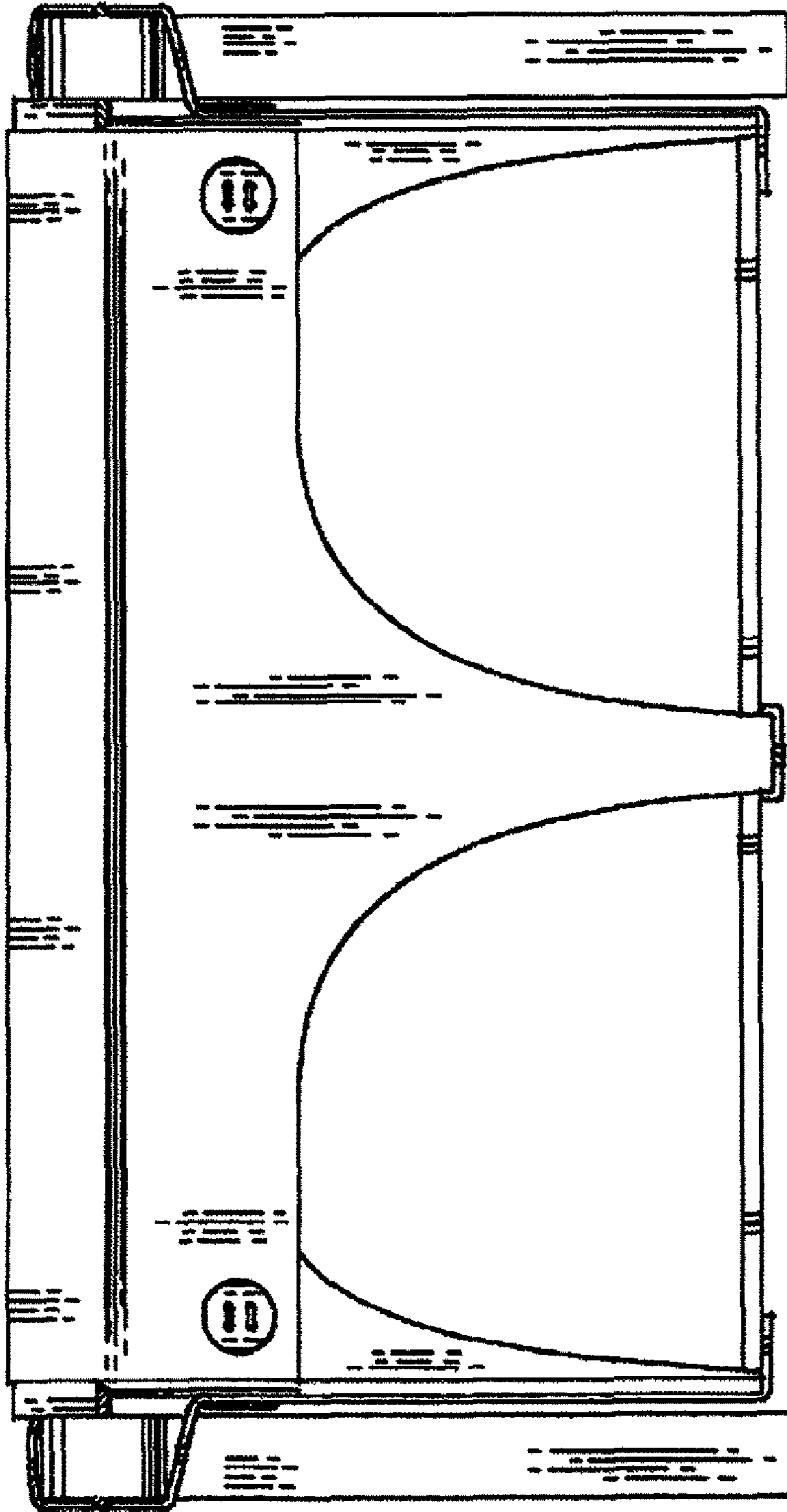


FIG.3

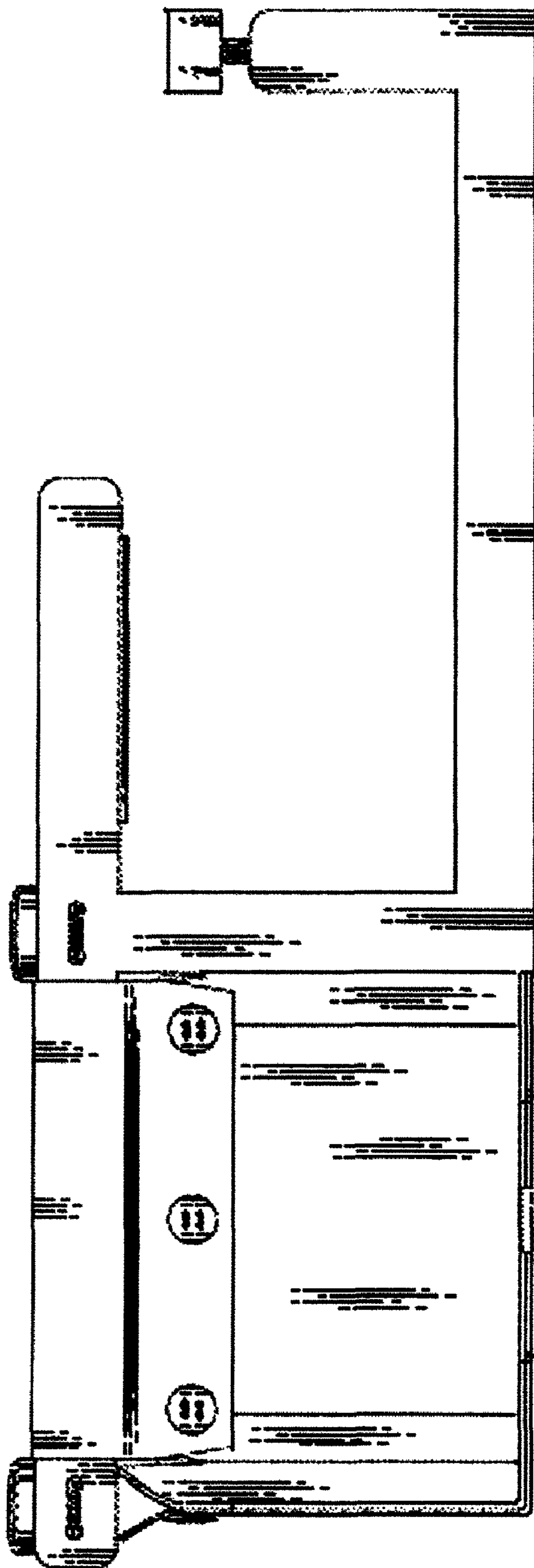


FIG.4

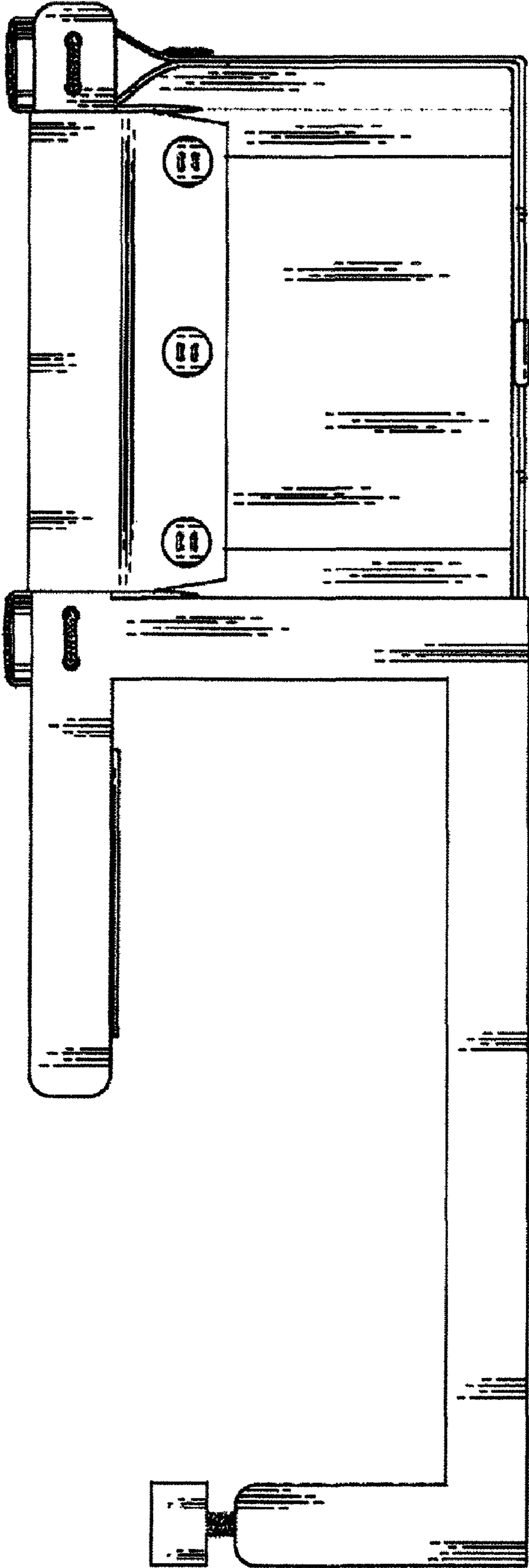


FIG.5

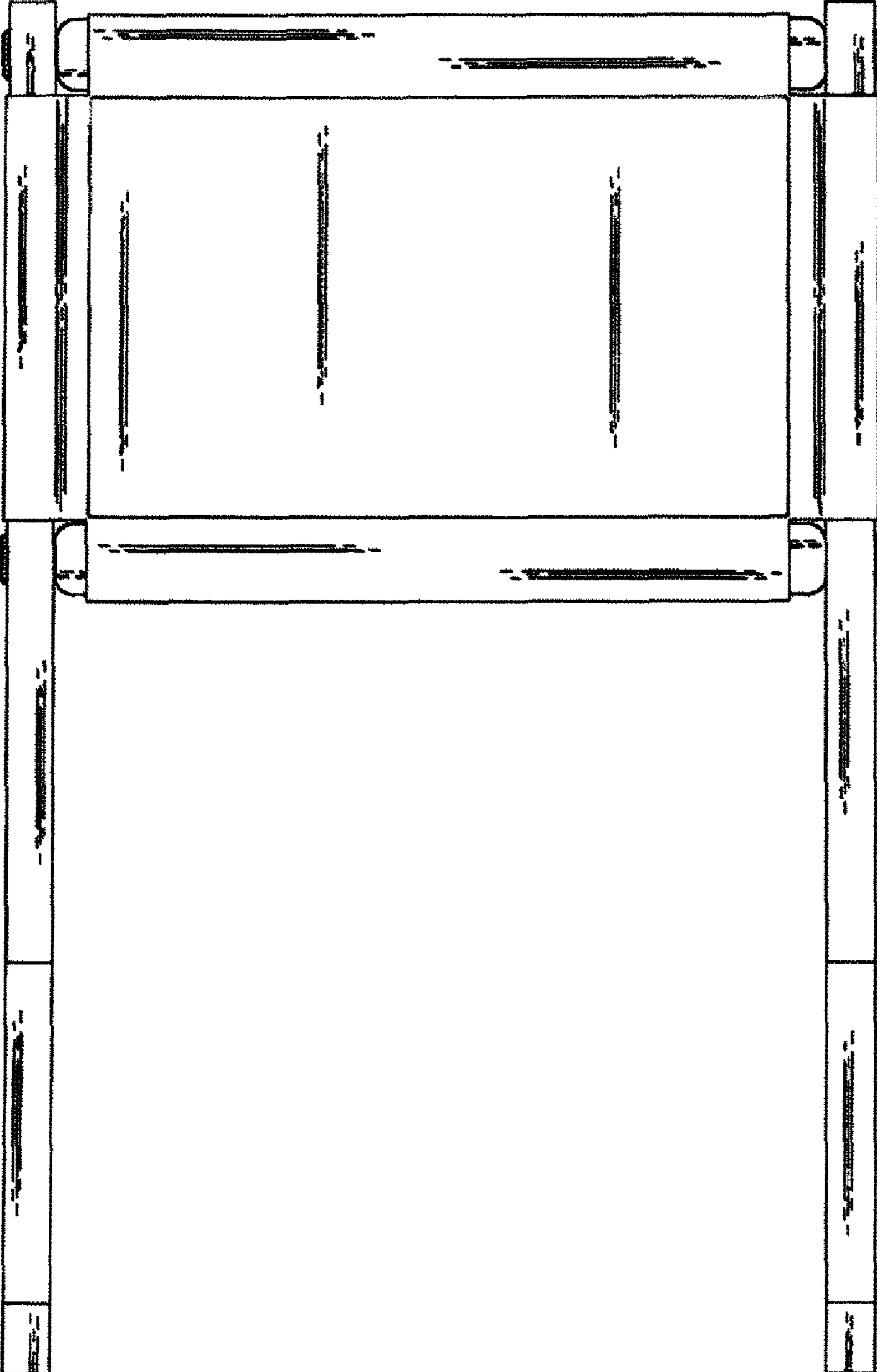


FIG.6