



US00D635366S

(12) **United States Design Patent**
Luburic

(10) **Patent No.:** **US D635,366 S**

(45) **Date of Patent:** **** Apr. 5, 2011**

(54) **LATCH FOR A CONTAINER AND LID**

6,899,245 B1 5/2005 Nelson
D518,265 S 3/2006 Prokop et al.

(75) Inventor: **Frano Luburic**, Anaheim, CA (US)

(Continued)

(73) Assignee: **Ropak Corporation**, Fountain Valley, CA (US)

Primary Examiner — Holly H Baynham

(74) *Attorney, Agent, or Firm* — Vedder Price

(**) Term: **14 Years**

(57) **CLAIM**

The ornamental design for a latch for a container and lid, as shown and described.

(21) Appl. No.: **29/311,944**

DESCRIPTION

(22) Filed: **Aug. 5, 2009**

(51) **LOC (9) Cl.** **03-01**

(52) **U.S. Cl.** **D3/318**

(58) **Field of Classification Search** D3/318,
D3/273, 276, 279, 283–284, 286; 220/276,
220/285, 282–283, 210, 281, 214; 215/209,
215/214–215, 219, 224

See application file for complete search history.

FIG. 1 is an enlarged left front side perspective view of a container and lid latch showing my new design, the right side being identical to the left;

FIG. 2 is a front view thereof;

FIG. 3 is a reduced scale left side view thereof;

FIG. 4 is a right side view thereof;

FIG. 5 is an enlarged top plan view thereof;

FIG. 6 is a left side cross-sectional view taken along line 6—6 of FIG. 1; the right side being identical to the left side;

FIG. 7 is a reduced scale left front side perspective view of the latch for a container and lid, showing my new design; the right side being identical to the left side, the container and lid shown in broken line for environmental purposes;

FIG. 8 is an enlarged left front side perspective view of the latch for a container and lid, showing my new design, in a partially open state; the right side being identical to the left side;

FIG. 9 is a left side view thereof, the right side being identical to the left side; and,

FIG. 10 is a reduced scale left front side perspective view of the latch for a container and lid, showing my new design, in a partially open state; the right side being identical to the left side, the container and lid shown in broken line for environmental purposes.

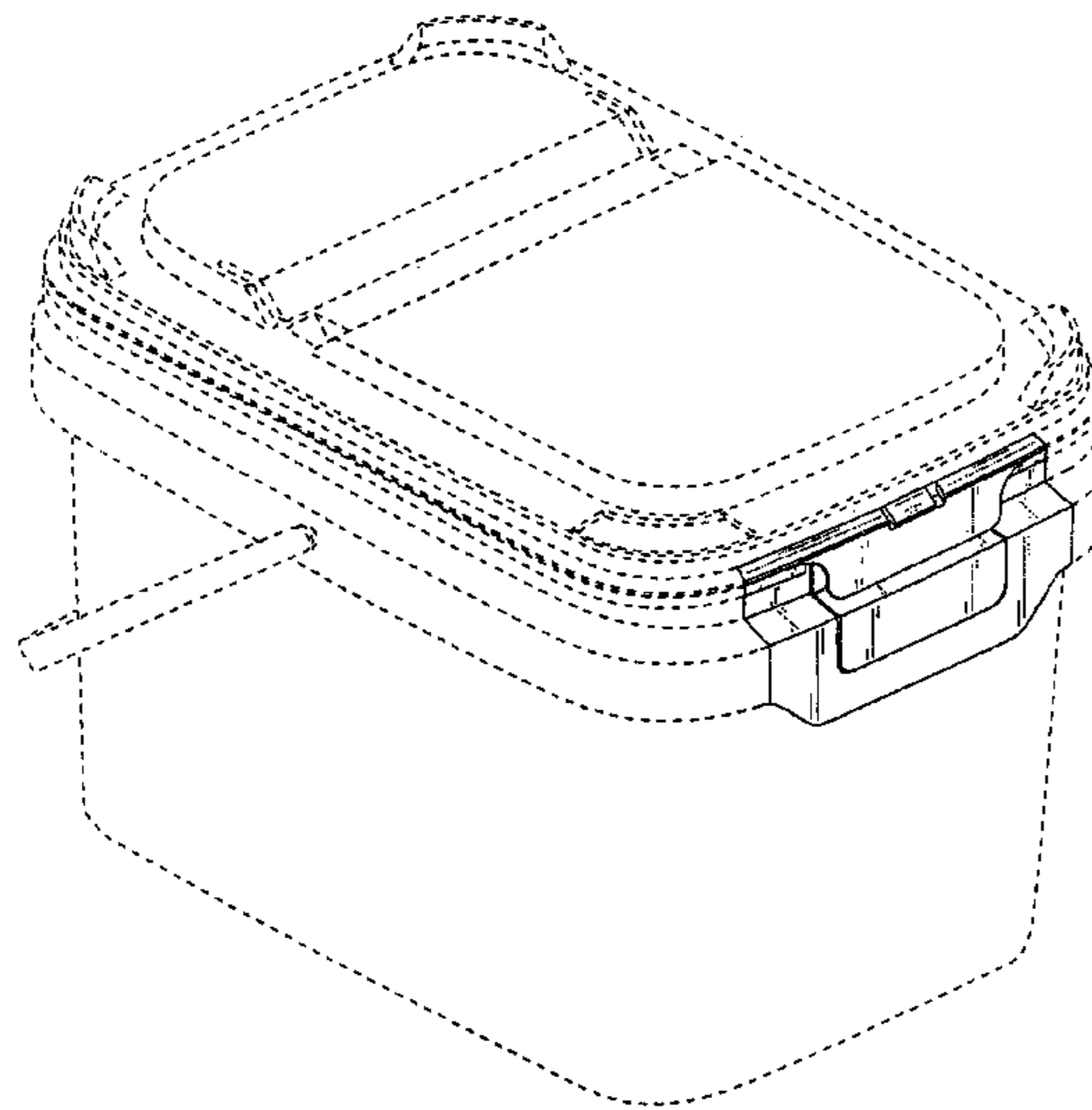
The broken line showing of a container is included for the purpose of illustrating environment and forms no part of the claimed design. The bottom view has no ornamental features other than those shown and described.

(56) **References Cited**

U.S. PATENT DOCUMENTS

3,746,206	A	7/1973	Utz	
3,951,290	A	4/1976	Montgomery	
4,071,156	A	1/1978	Lowe	
4,278,178	A	7/1981	Geiser	
4,288,000	A	9/1981	Luker et al.	
4,512,493	A	4/1985	Von Holdt	
4,732,288	A	3/1988	Morris	
5,050,762	A *	9/1991	Giorgi	220/281
5,284,270	A	2/1994	Kusta	
D375,201	S *	11/1996	Karr et al.	D3/318
5,617,968	A	4/1997	Luburic	
5,718,347	A	2/1998	Walker et al.	
5,871,113	A	2/1999	Conway	
5,979,691	A	11/1999	Von Holdt	
6,161,711	A	12/2000	Miceli et al.	
6,257,441	B1	7/2001	Maley	
6,318,894	B1	11/2001	Derenthal	
6,644,492	B1	11/2003	Mitchell	
6,712,233	B2	3/2004	Arshinoff	
D490,980	S *	6/2004	Concari	D3/318
D493,286	S *	7/2004	Concari	D3/318
6,772,902	B1	8/2004	White	

1 Claim, 10 Drawing Sheets



US D635,366 S

Page 2

U.S. PATENT DOCUMENTS

7,134,567	B2	11/2006	Luburic		2006/0076260	A1	4/2006	Luburic
7,784,633	B2 *	8/2010	Luburic 220/285	2008/0083768	A1	4/2008	Luburic
2004/0060942	A1	4/2004	Luburic		2008/0257886	A1	10/2008	Luburic

* cited by examiner

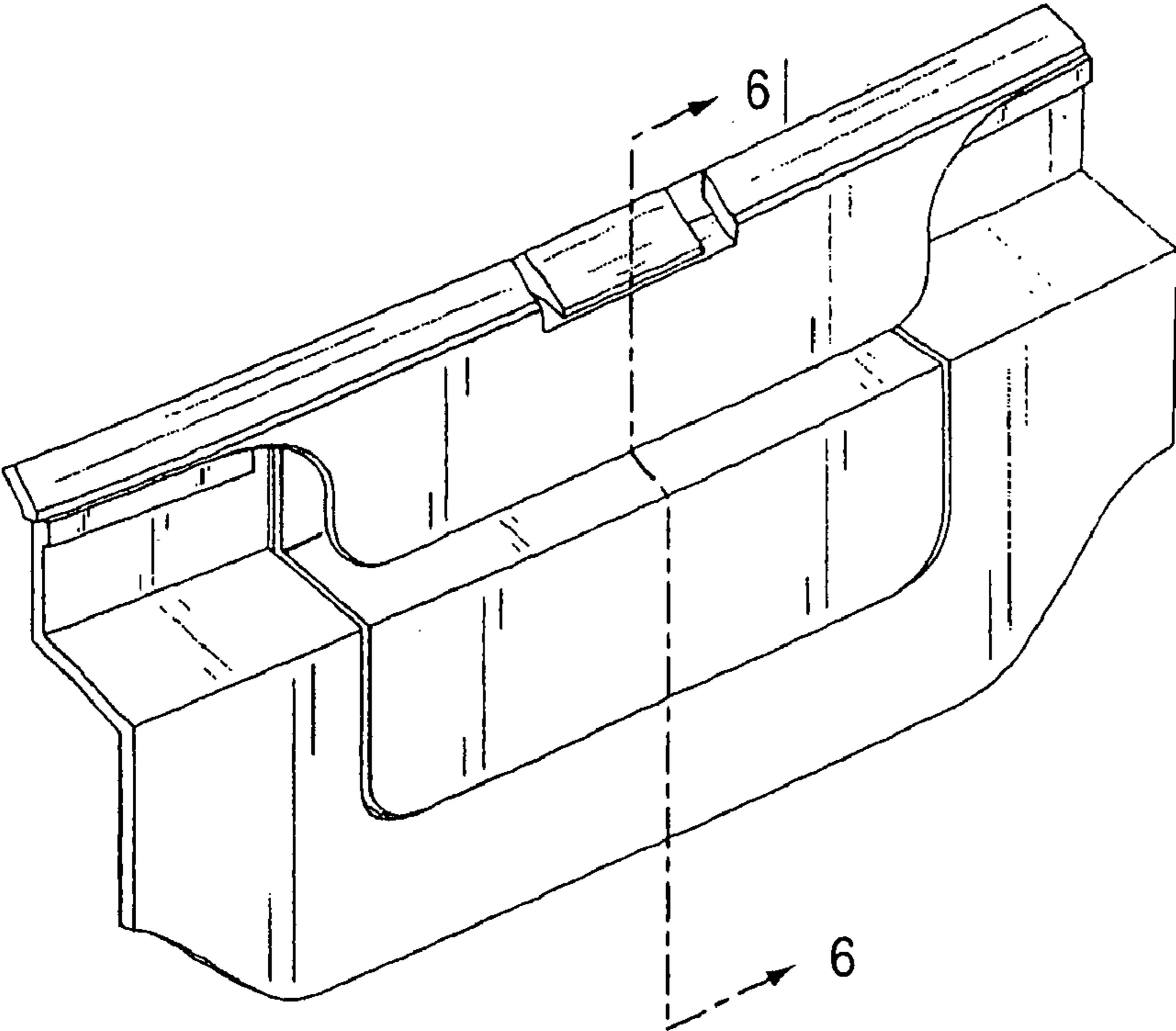


FIG. 1

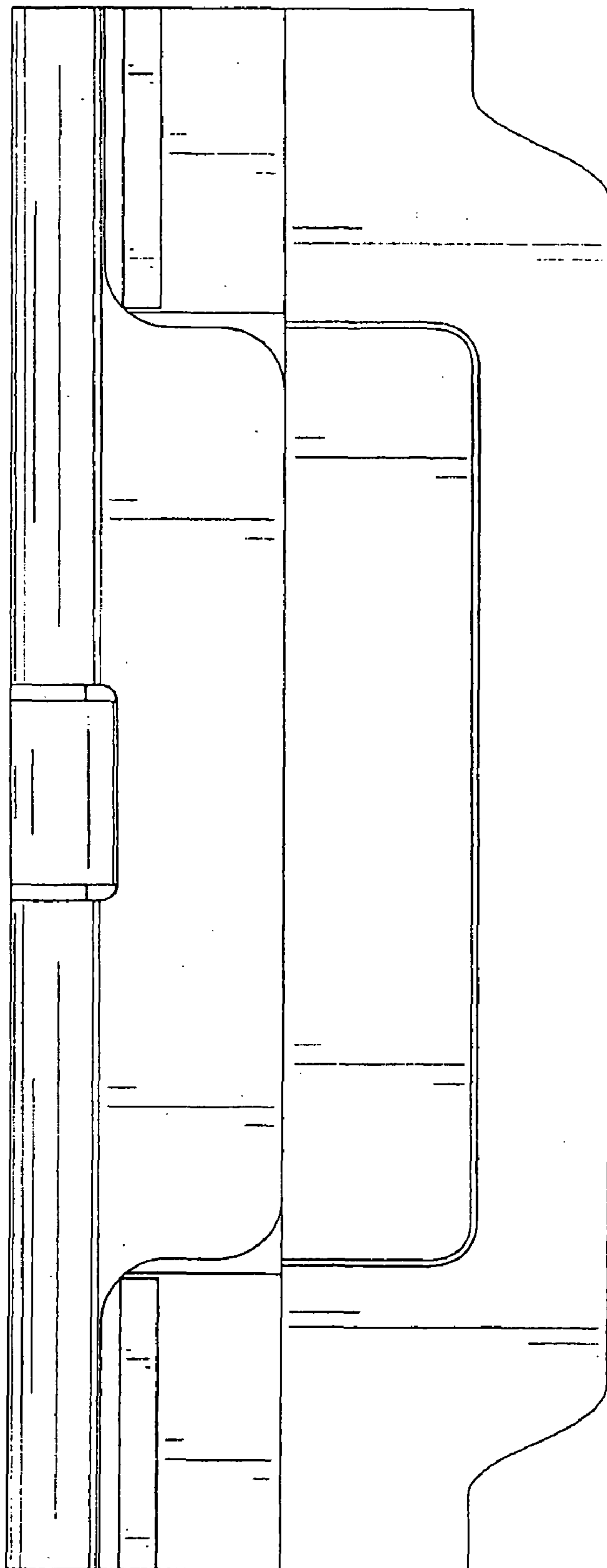


FIG. 2

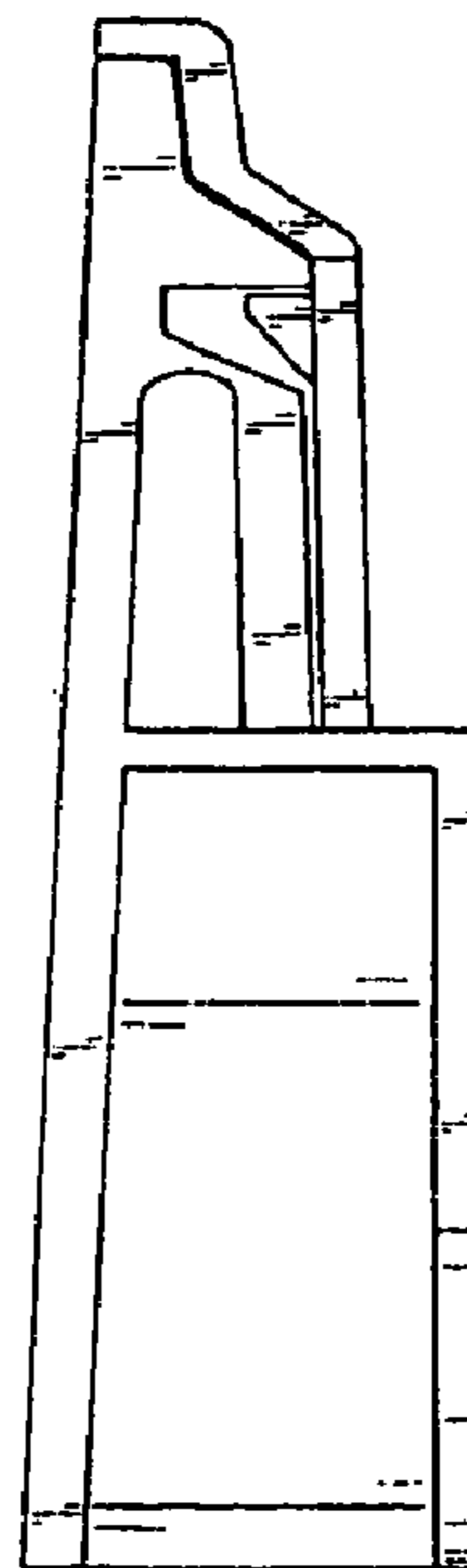


FIG. 3

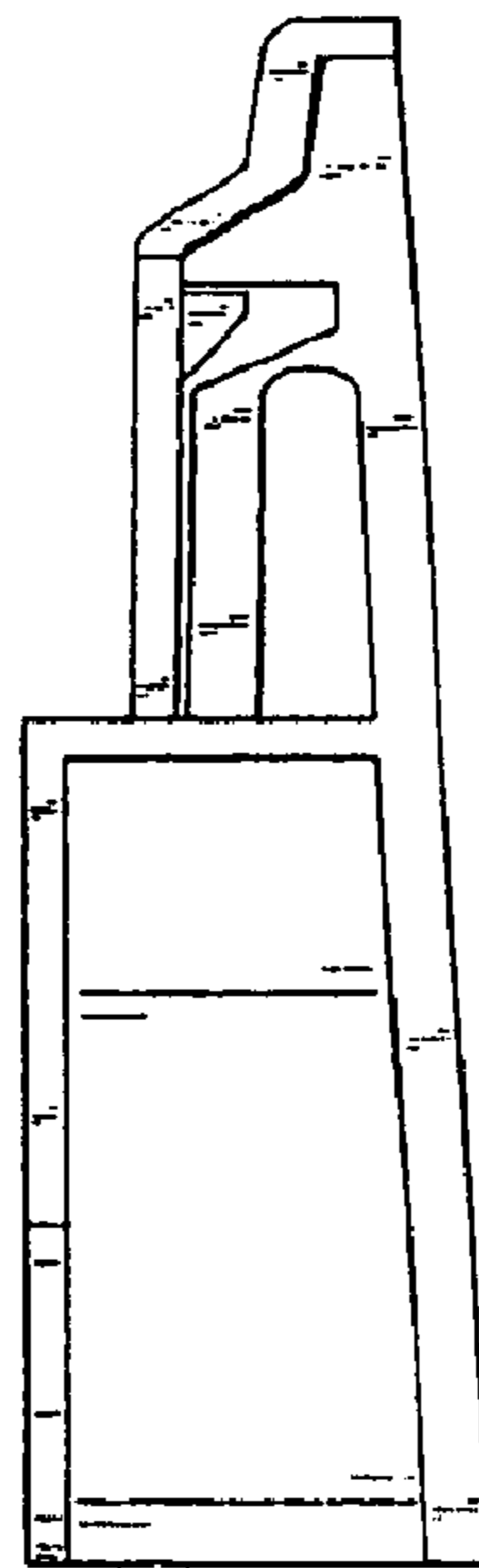


FIG. 4

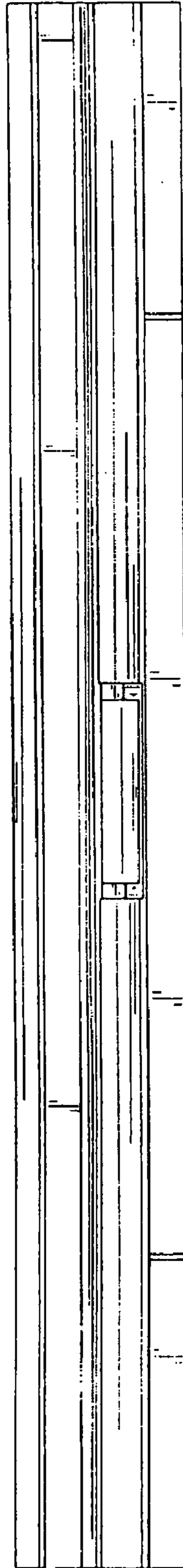


FIG. 5

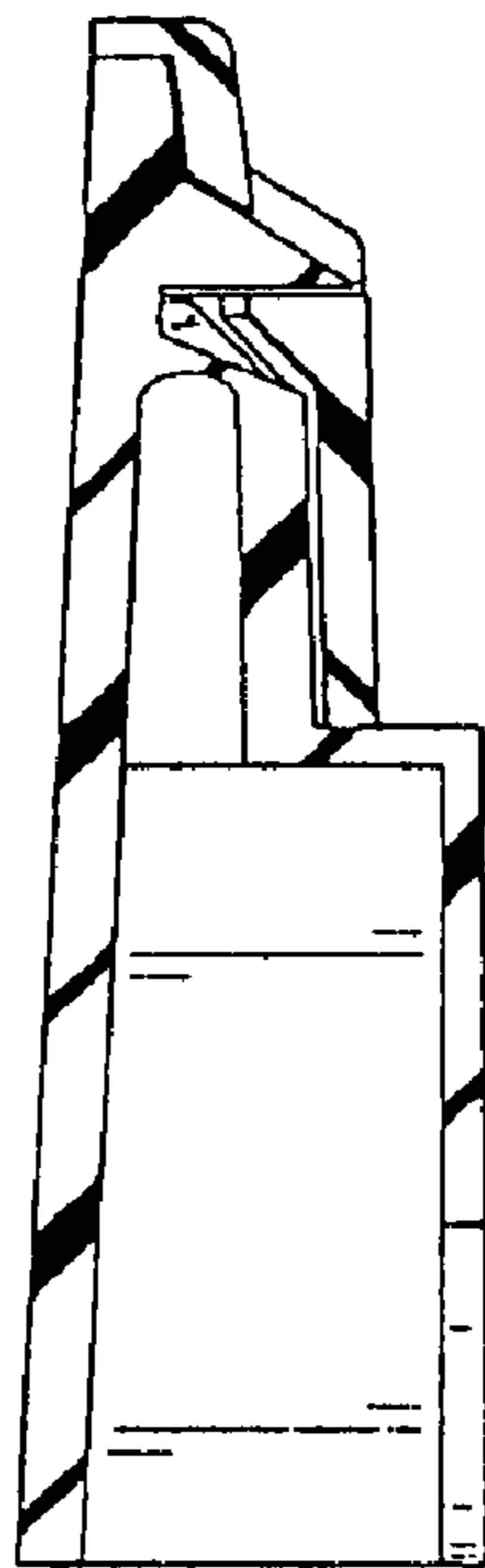


FIG. 6

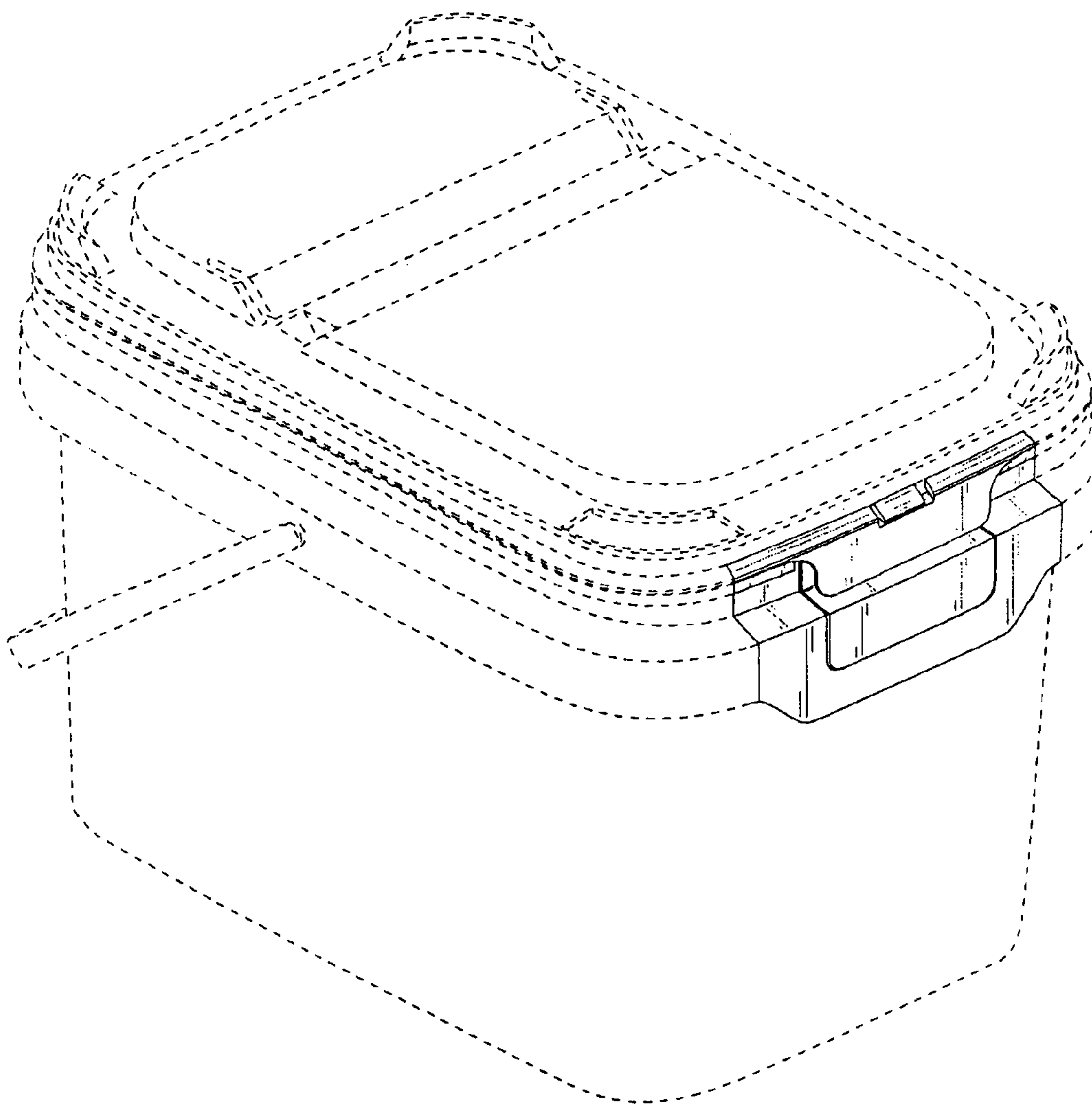


FIG. 7

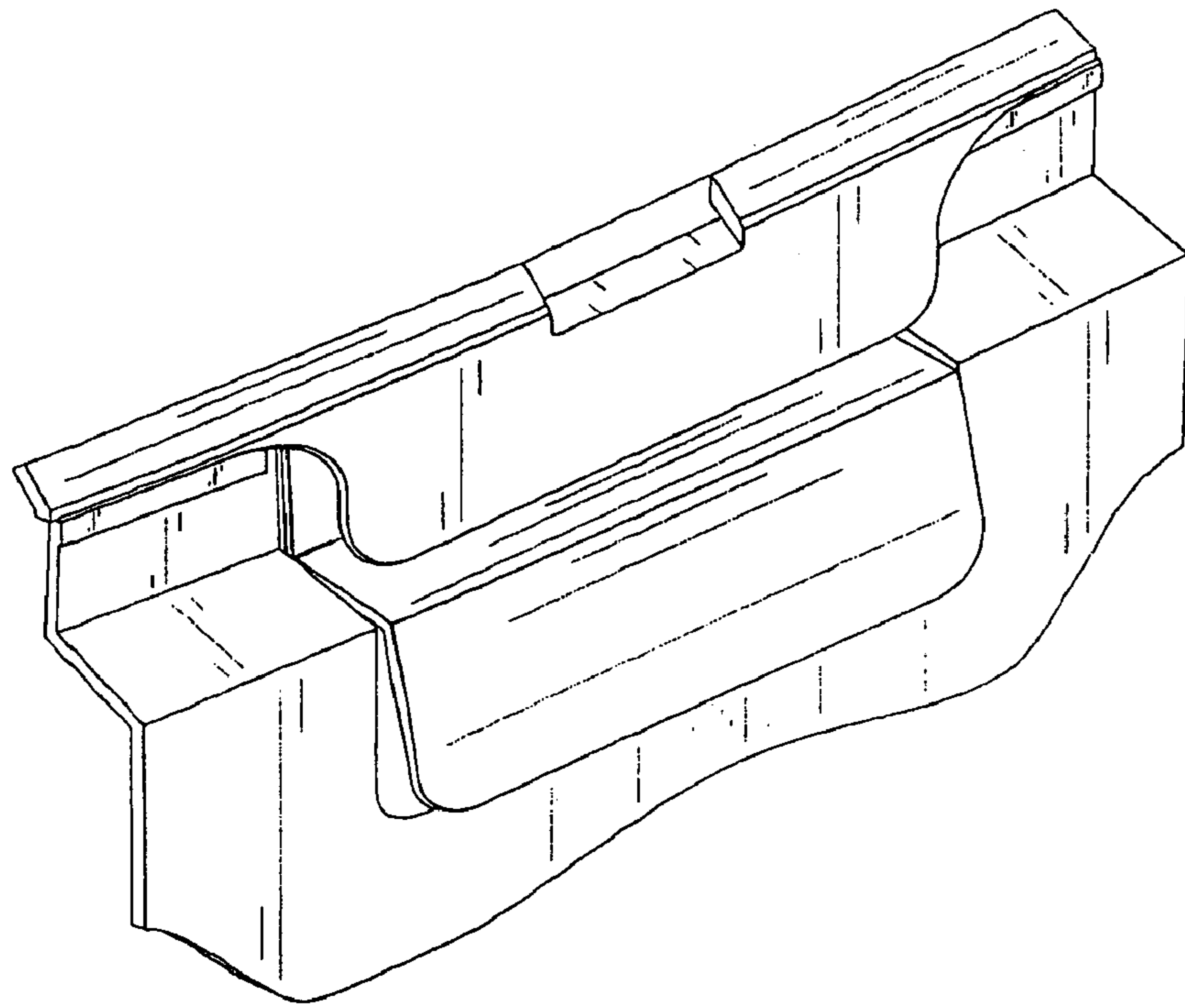


FIG. 8

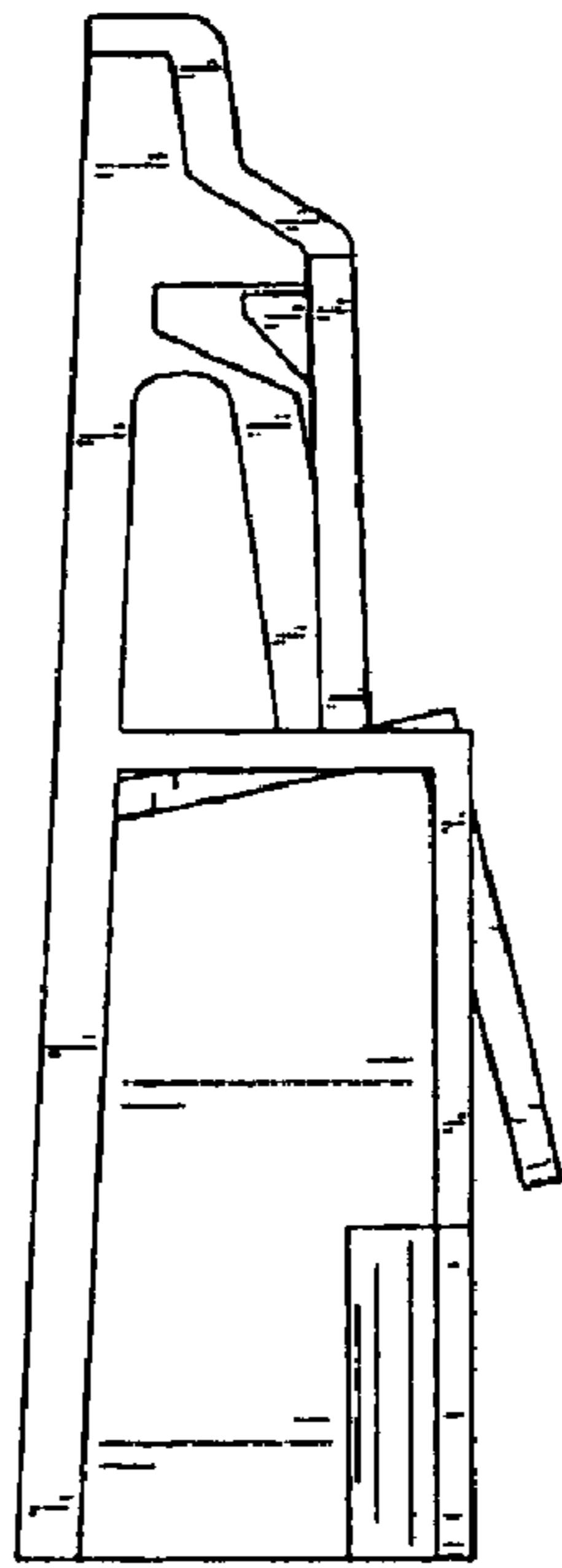


FIG. 9

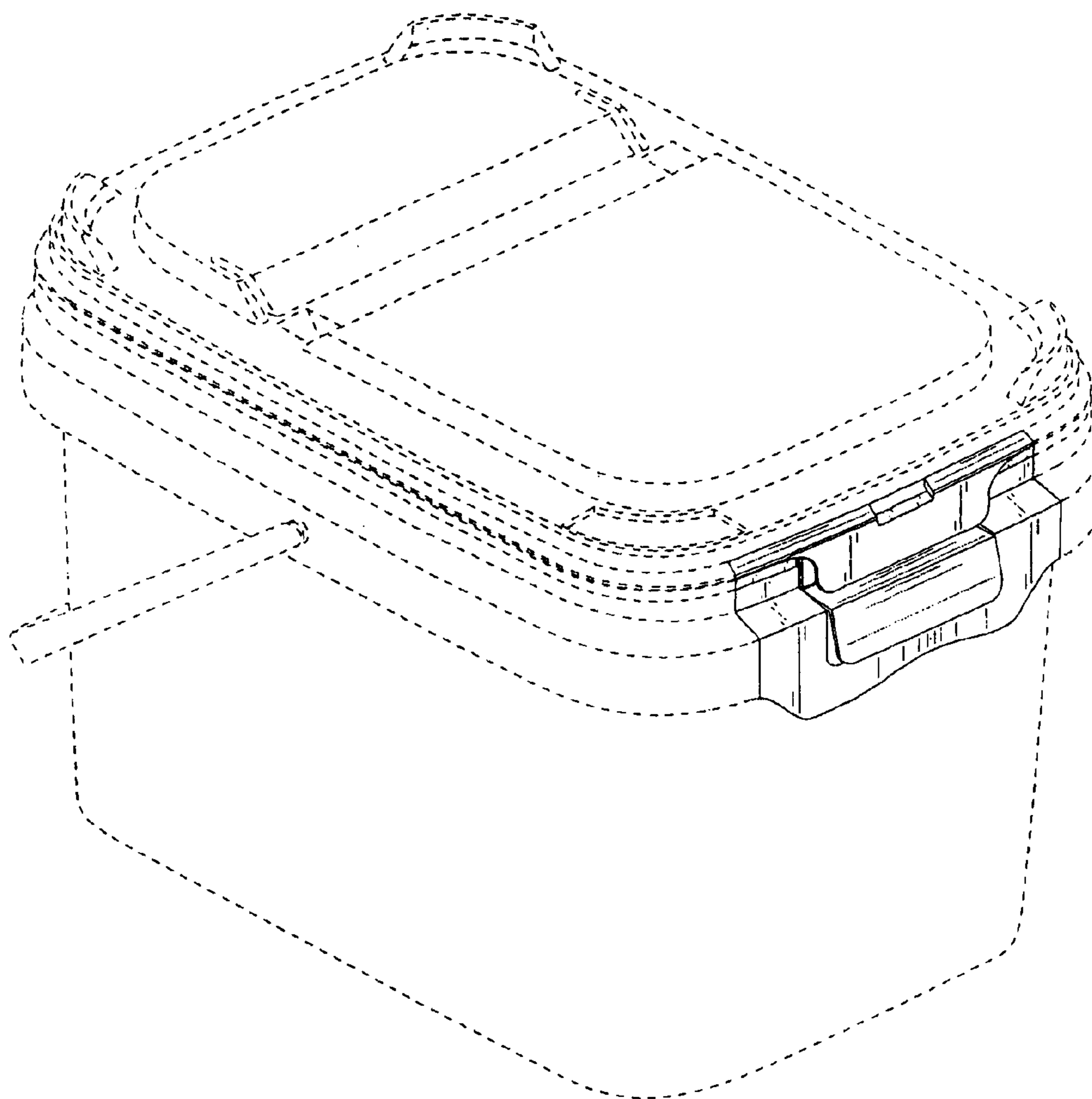


FIG. 10