



US00D635361S

(12) **United States Design Patent**  
**Lalo**

(10) **Patent No.:** **US D635,361 S**

(45) **Date of Patent:** **\*\* Apr. 5, 2011**

(54) **CASE**

(76) **Inventor:** **Abraham Lalo**, Hollywood, FL (US)

(\*\*) **Term:** **14 Years**

(21) **Appl. No.:** **29/368,858**

(22) **Filed:** **Aug. 31, 2010**

(51) **LOC (9) Cl.** ..... **03-01**

(52) **U.S. Cl.** ..... **D3/276; D3/294**

(58) **Field of Classification Search** ..... D3/273,  
D3/274, 276, 280–284, 286, 288, 291, 292,  
D3/294–295, 905; 206/349, 372–379, 803;  
220/523, 527; 190/115, 900

See application file for complete search history.

(56) **References Cited**

**U.S. PATENT DOCUMENTS**

|              |        |                        |        |
|--------------|--------|------------------------|--------|
| D318,373 S * | 7/1991 | Uke et al. ....        | D3/292 |
| D419,297 S * | 1/2000 | Richardson et al. .... | D3/273 |
| D419,768 S * | 2/2000 | Richardson et al. .... | D3/273 |
| D462,519 S * | 9/2002 | Gaydos et al. ....     | D3/276 |
| D472,384 S * | 4/2003 | Richardson ....        | D3/273 |
| D516,807 S * | 3/2006 | Richardson et al. .... | D3/273 |
| D520,237 S * | 5/2006 | Cheng ....             | D3/276 |
| D523,242 S * | 6/2006 | Hardigg et al. ....    | D3/276 |

|                 |         |                      |        |
|-----------------|---------|----------------------|--------|
| D578,759 S *    | 10/2008 | Grenier et al. ....  | D3/294 |
| D579,202 S      | 10/2008 | Grenier et al.       |        |
| D605,853 S *    | 12/2009 | Horiyama et al. .... | D3/281 |
| 2008/0307835 A1 | 12/2008 | Grenier et al.       |        |

\* cited by examiner

*Primary Examiner* — Jennifer Rivard

(74) *Attorney, Agent, or Firm* — Howard Natter; Natter & Natter

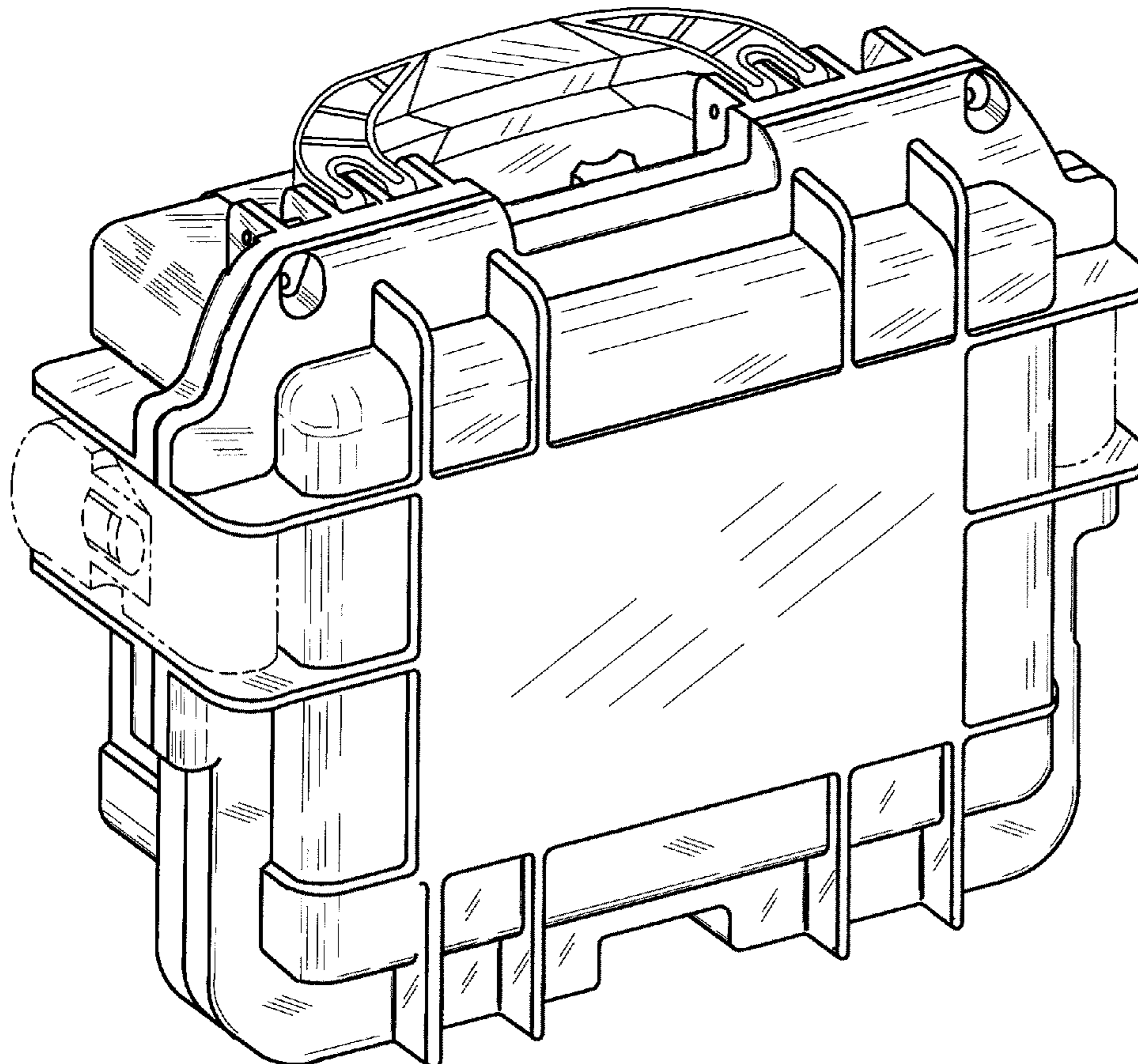
(57) **CLAIM**

The ornamental design for a case, as shown and described.

**DESCRIPTION**

FIG. 1 is a plan view of a case showing the new design.  
FIG. 2 is a front elevation view of the case of FIG. 1.  
FIG. 3 is a left side view of the case of FIG. 1.  
FIG. 4 is a right side view of the case of FIG. 1.  
FIG. 5 is a rear elevation view of the case of FIG. 1.  
FIG. 6 is a bottom plan view of the case of FIG. 1; and,  
FIG. 7 is a top left perspective view of the case of FIG. 1.  
The broken lines shown in the drawings illustrate portions of the article and form no part of the claimed design.

**1 Claim, 7 Drawing Sheets**



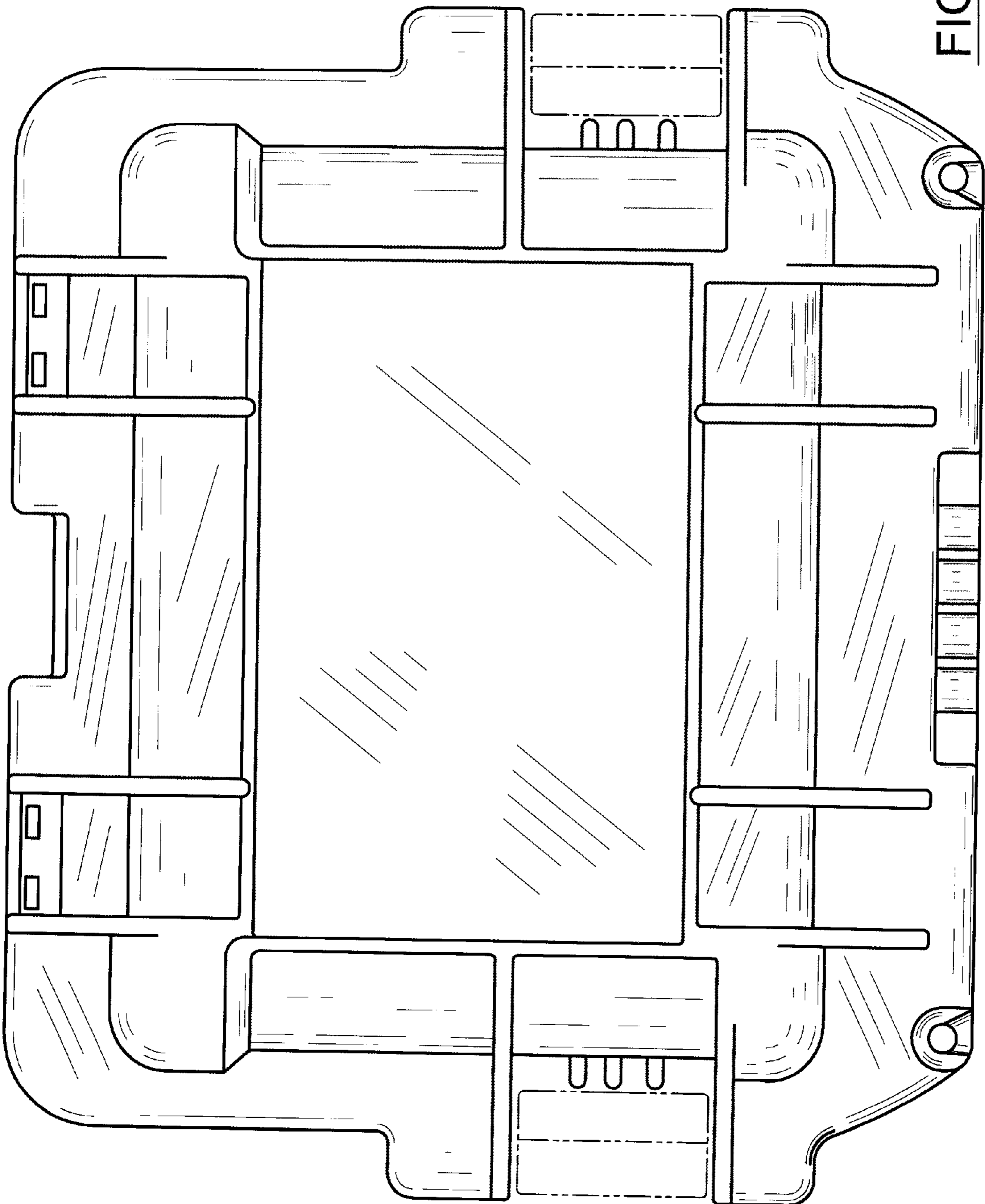


FIG.1

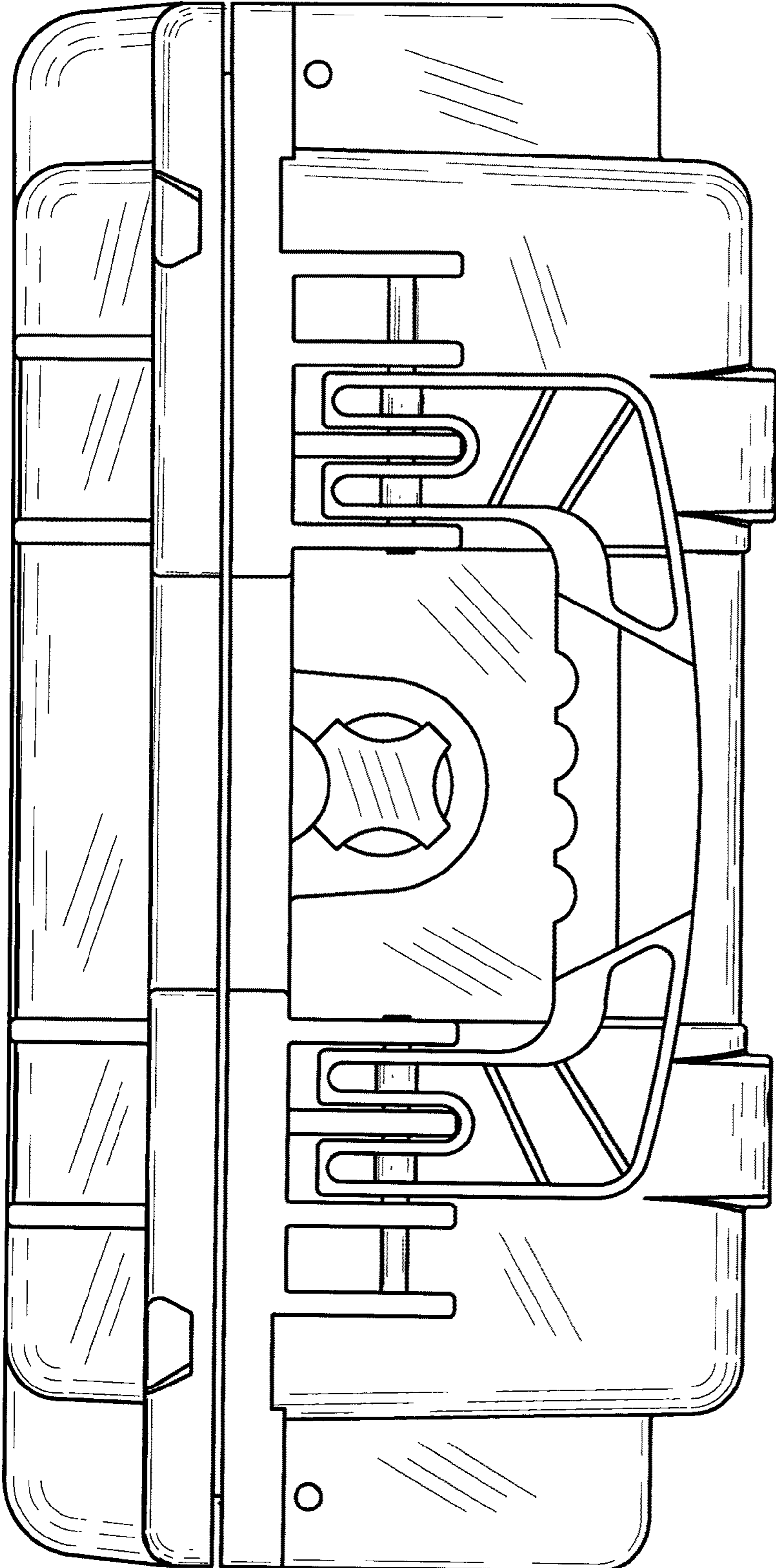


FIG. 2

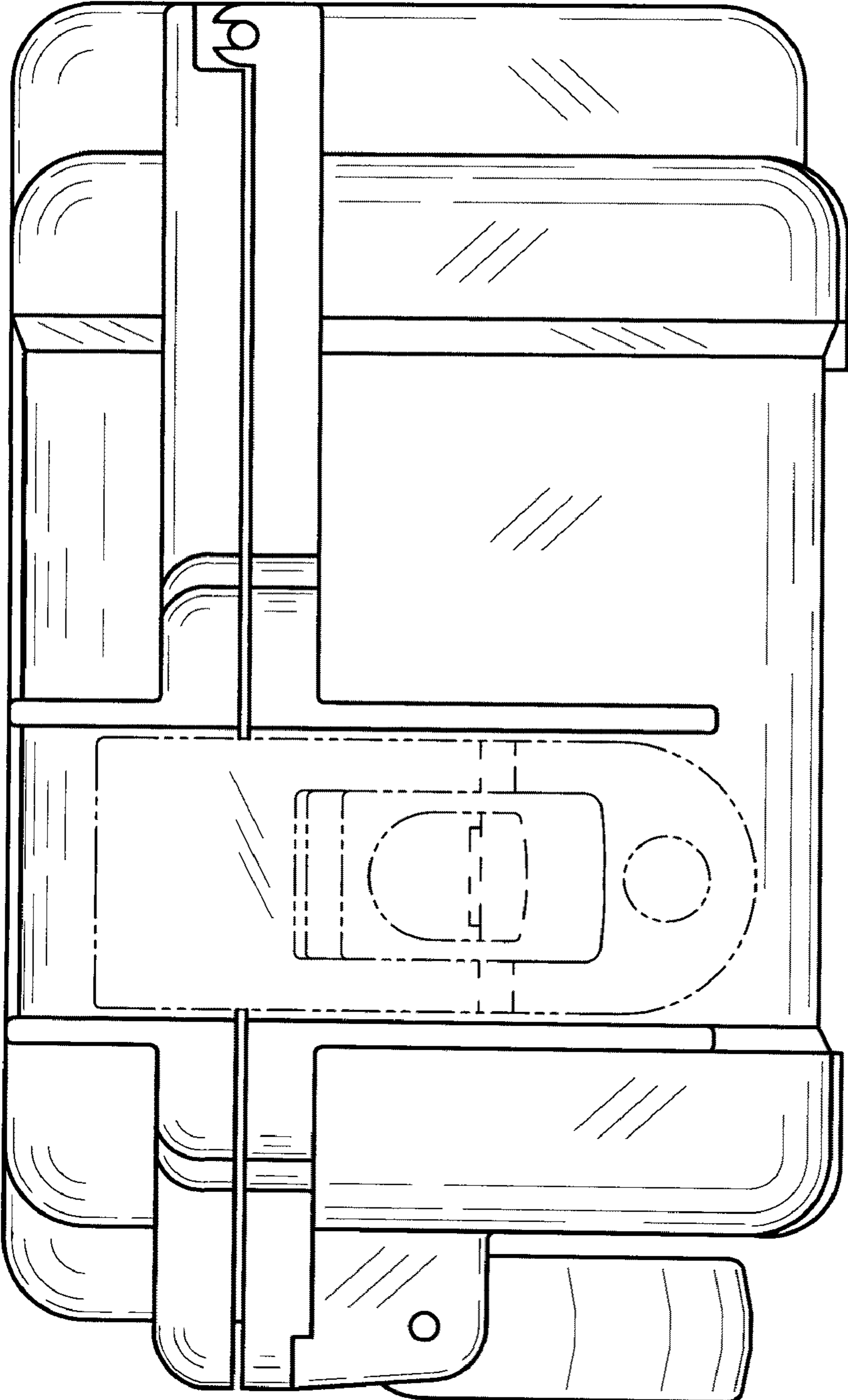


FIG. 3

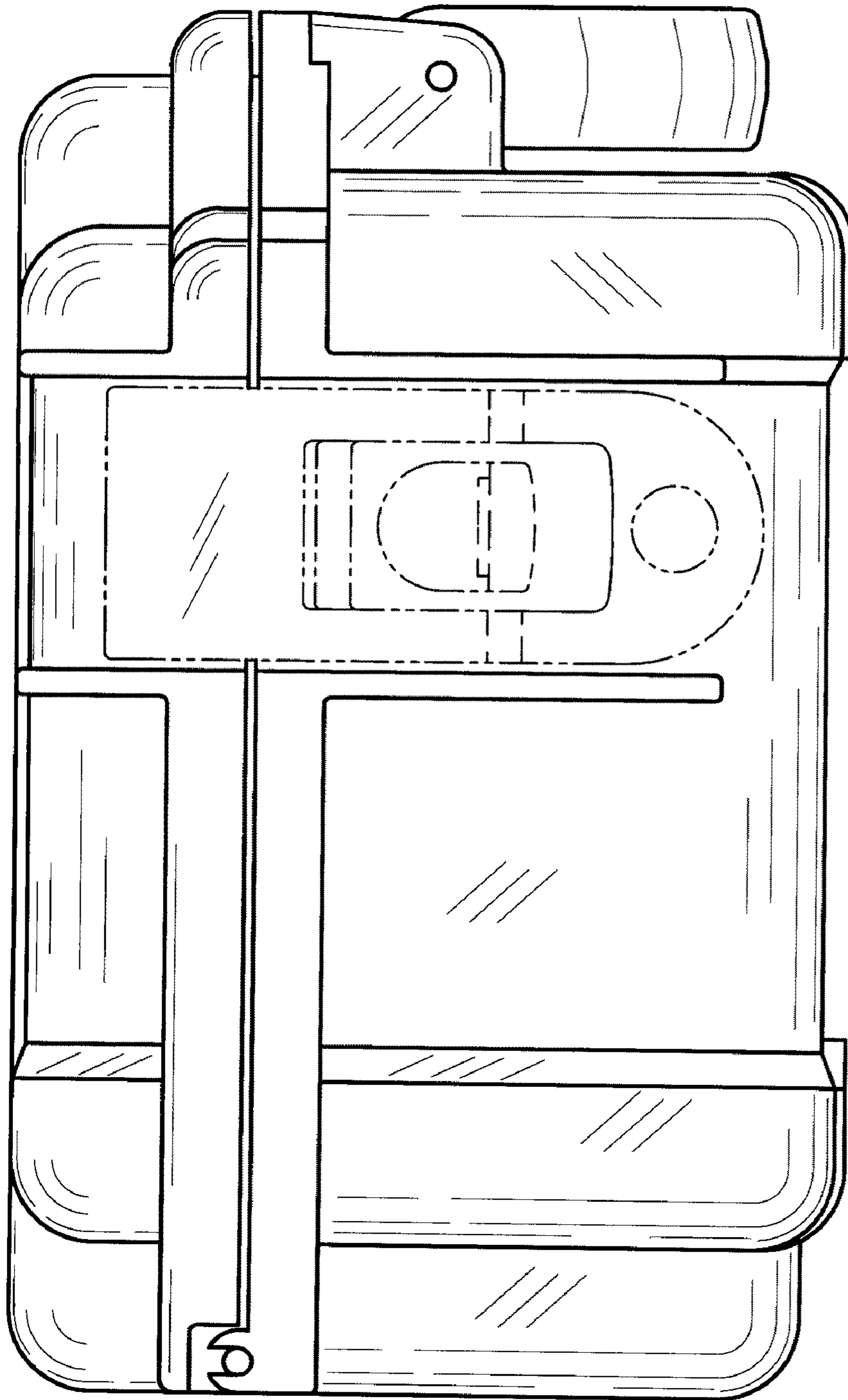


FIG.4

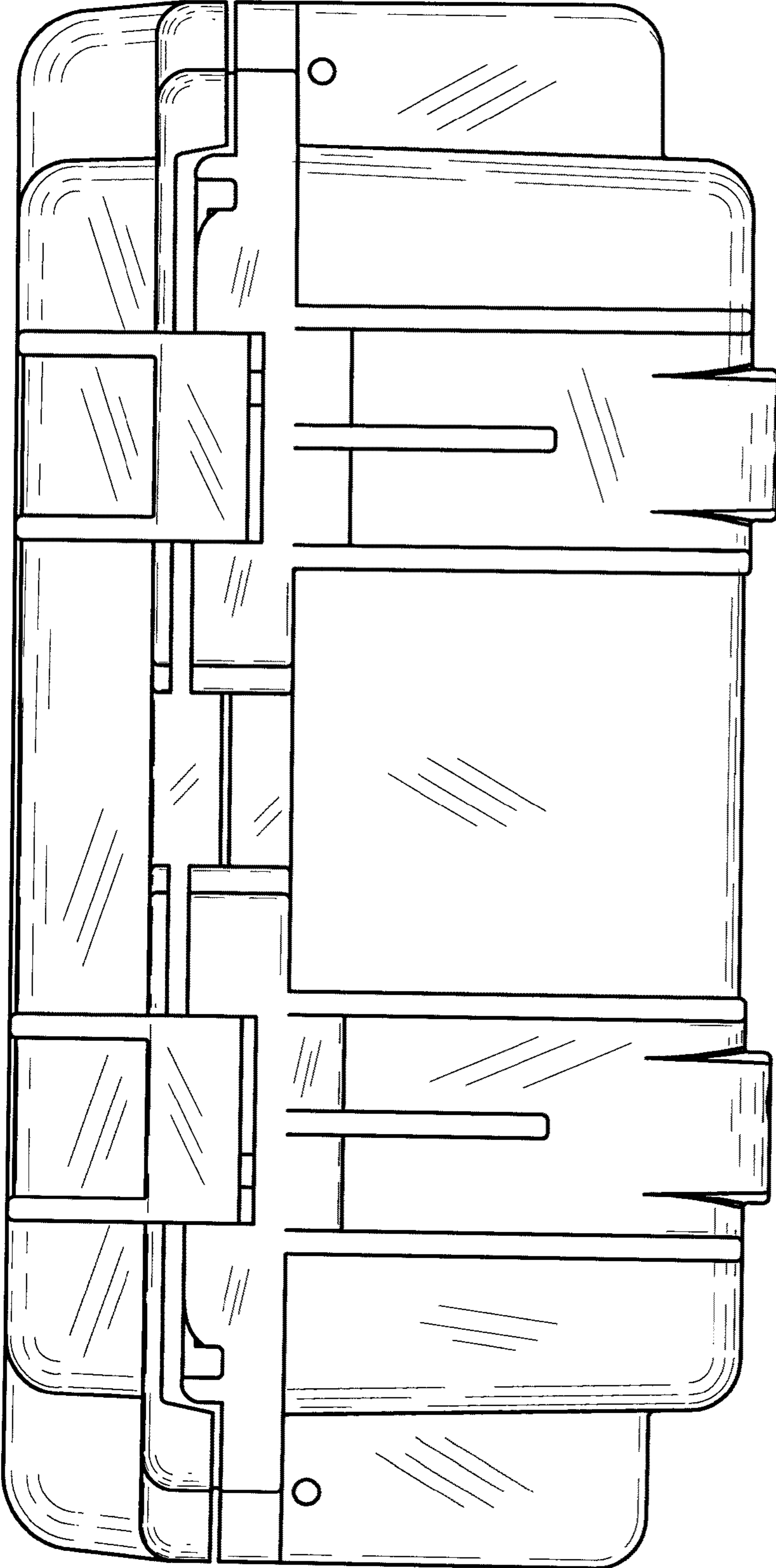


FIG. 5

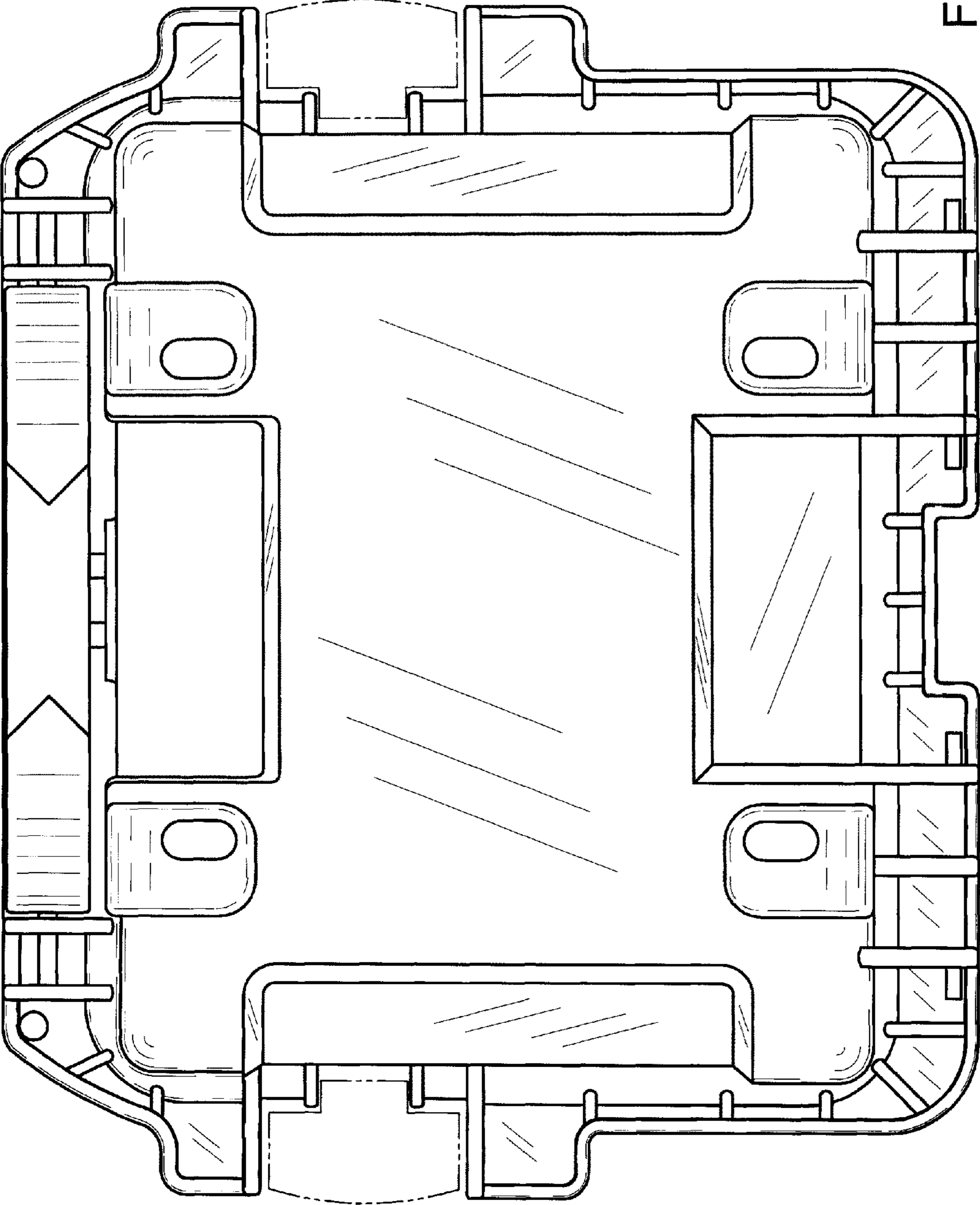


FIG. 6

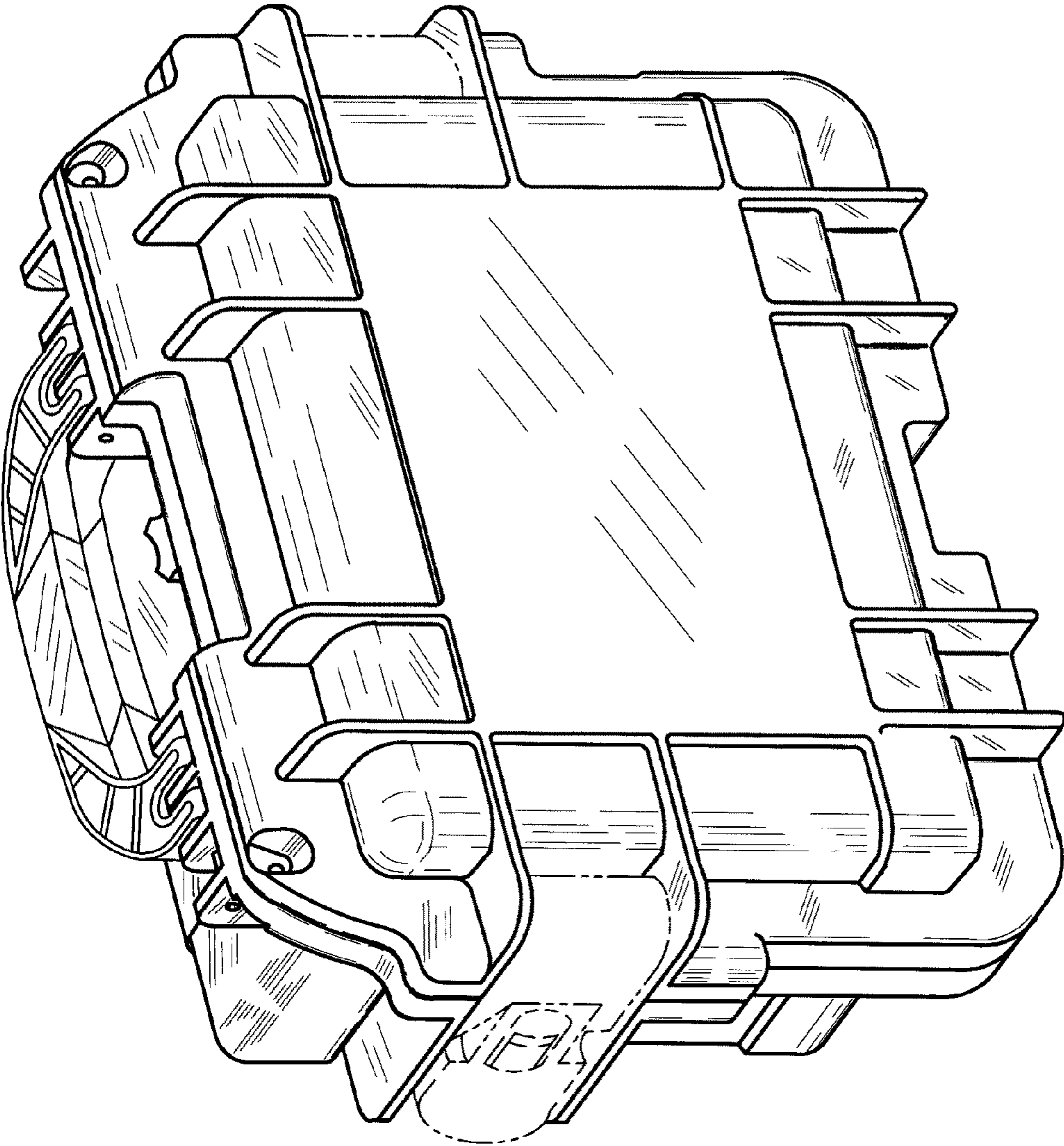


FIG. 7