



US00D635354S

(12) **United States Design Patent**
Uchida

(10) **Patent No.:** **US D635,354 S**

(45) **Date of Patent:** **** Apr. 5, 2011**

(54) **CASE FOR RADIO TELEPHONE**
(75) Inventor: **Haruto Uchida**, Kanagawa (JP)
(73) Assignee: **Panasonic Corporation**, Osaka (JP)
(**) Term: **14 Years**

D565,836 S * 4/2008 Wang D3/201
D577,358 S 9/2008 Kettula et al.
D582,405 S 12/2008 Andre et al.
D605,645 S 12/2009 Kettula
D606,065 S 12/2009 Rihu
D611,702 S * 3/2010 Fahrendorff et al. D3/218
D619,803 S * 7/2010 Fuller D3/218

* cited by examiner

(21) Appl. No.: **29/368,651**
(22) Filed: **Aug. 26, 2010**

Primary Examiner — Catherine R Oliver
(74) *Attorney, Agent, or Firm* — Brinks Hofer Gilson & Lione

(30) **Foreign Application Priority Data**
Mar. 8, 2010 (JP) 2010-005519

(51) **LOC (9) Cl.** **03-01**
(52) **U.S. Cl.** **D3/218**
(58) **Field of Classification Search** D3/218,
D3/215, 201, 219, 224, 226, 228, 205, 269;
224/240–241, 245, 578, 674, 676–681, 901,
224/904; 206/305, 320; 455/42, 90, 92;
379/455; D14/138, 248, 250, 251, 253
See application file for complete search history.

(57) **CLAIM**
I claim the ornamental design for a case for radio telephone,
as shown and described.

(56) **References Cited**
U.S. PATENT DOCUMENTS
D529,489 S 10/2006 Sbordon, Jr.
D529,905 S 10/2006 Richter
D530,713 S 10/2006 Richter
D561,463 S * 2/2008 Malhotra D3/218

DESCRIPTION

FIG. 1 is a front perspective view of a case for radio telephone of the present invention;
FIG. 2 is a rear perspective view thereof;
FIG. 3 is a front view thereof;
FIG. 4 is a rear view thereof;
FIG. 5 is a first side view thereof;
FIG. 6 is a second side view thereof;
FIG. 7 is a top view thereof; and,
FIG. 8 is a bottom view thereof.

1 Claim, 8 Drawing Sheets

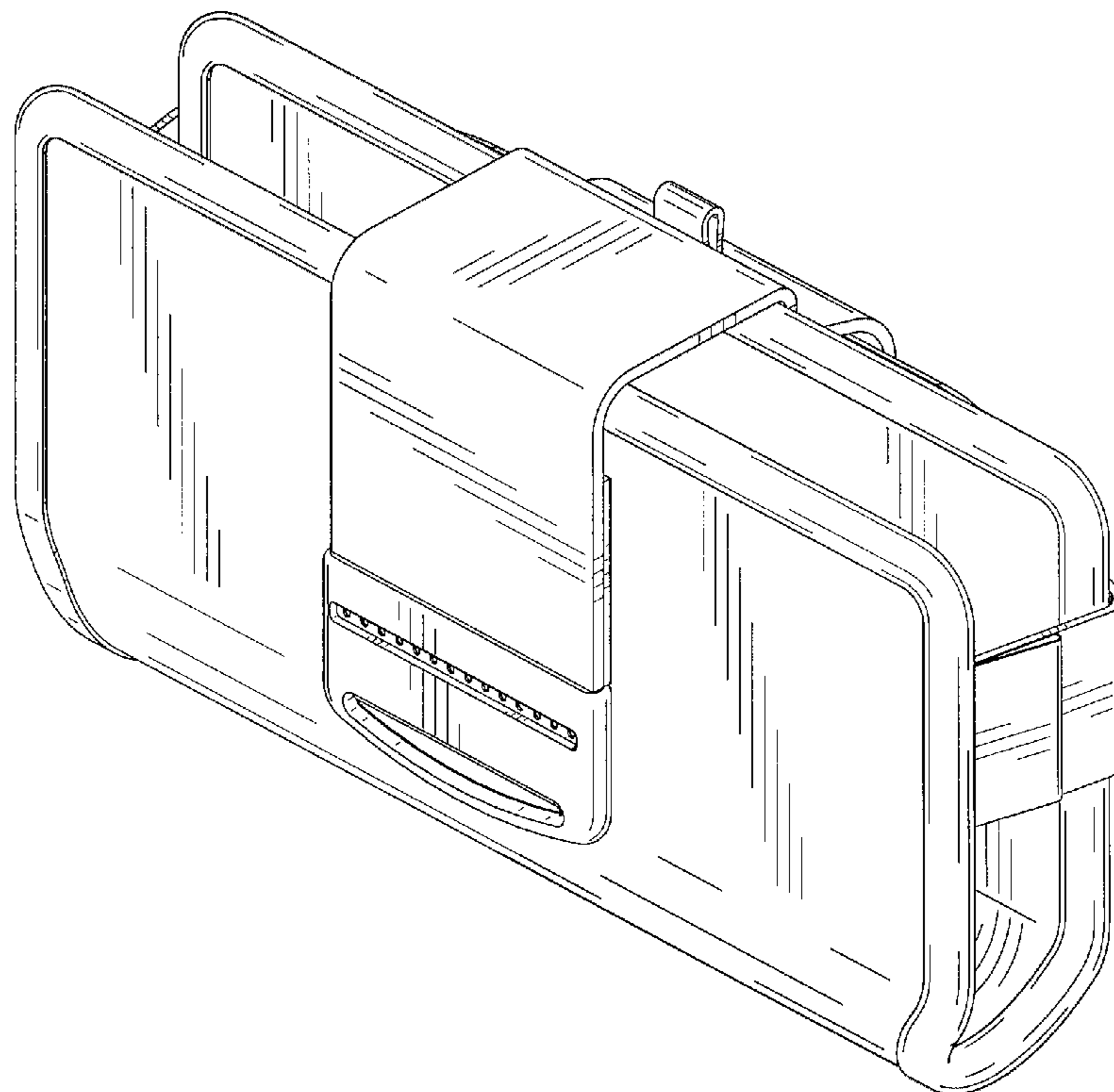


FIG.1

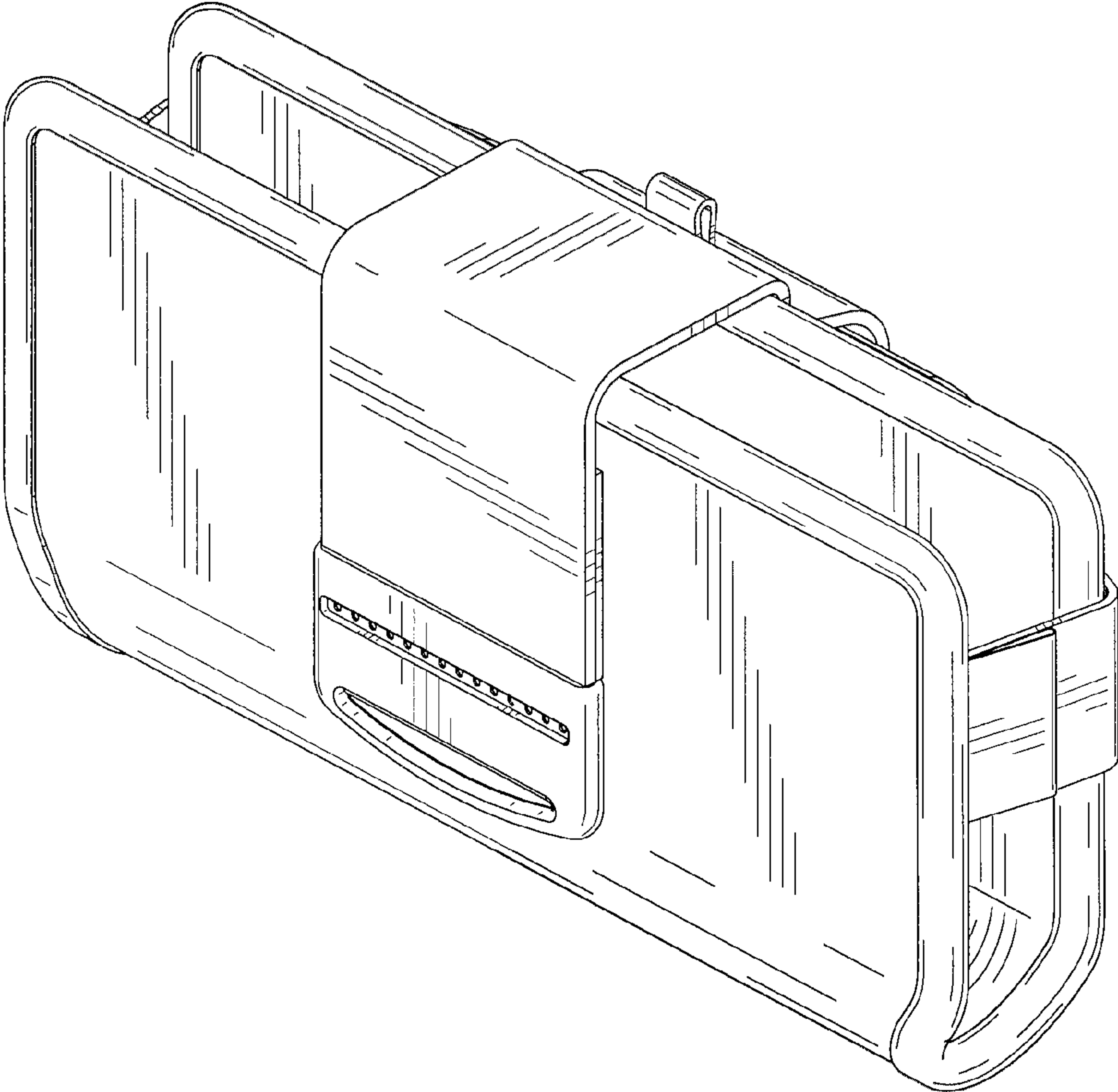


FIG.2

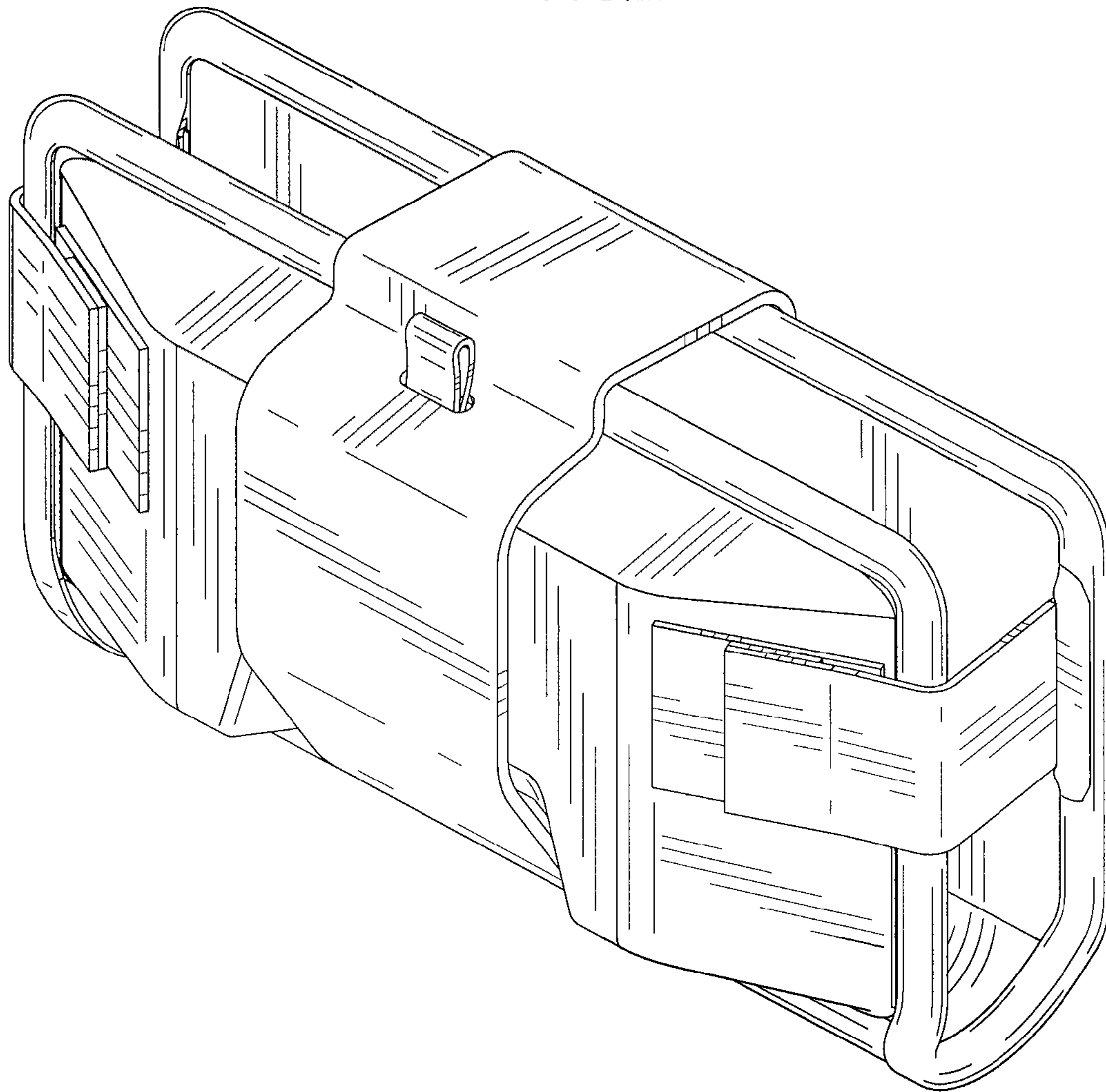


FIG.3

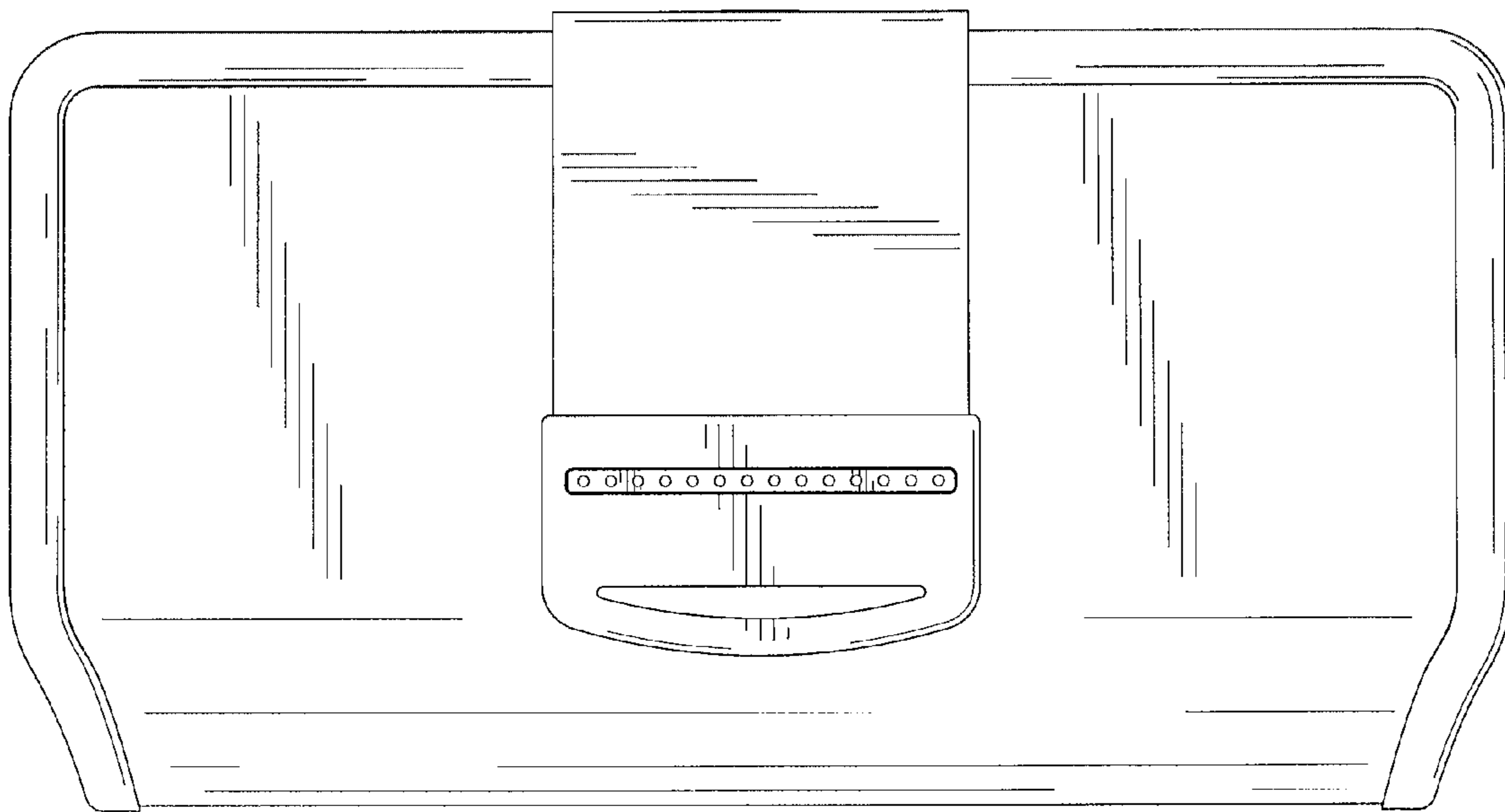


FIG.4

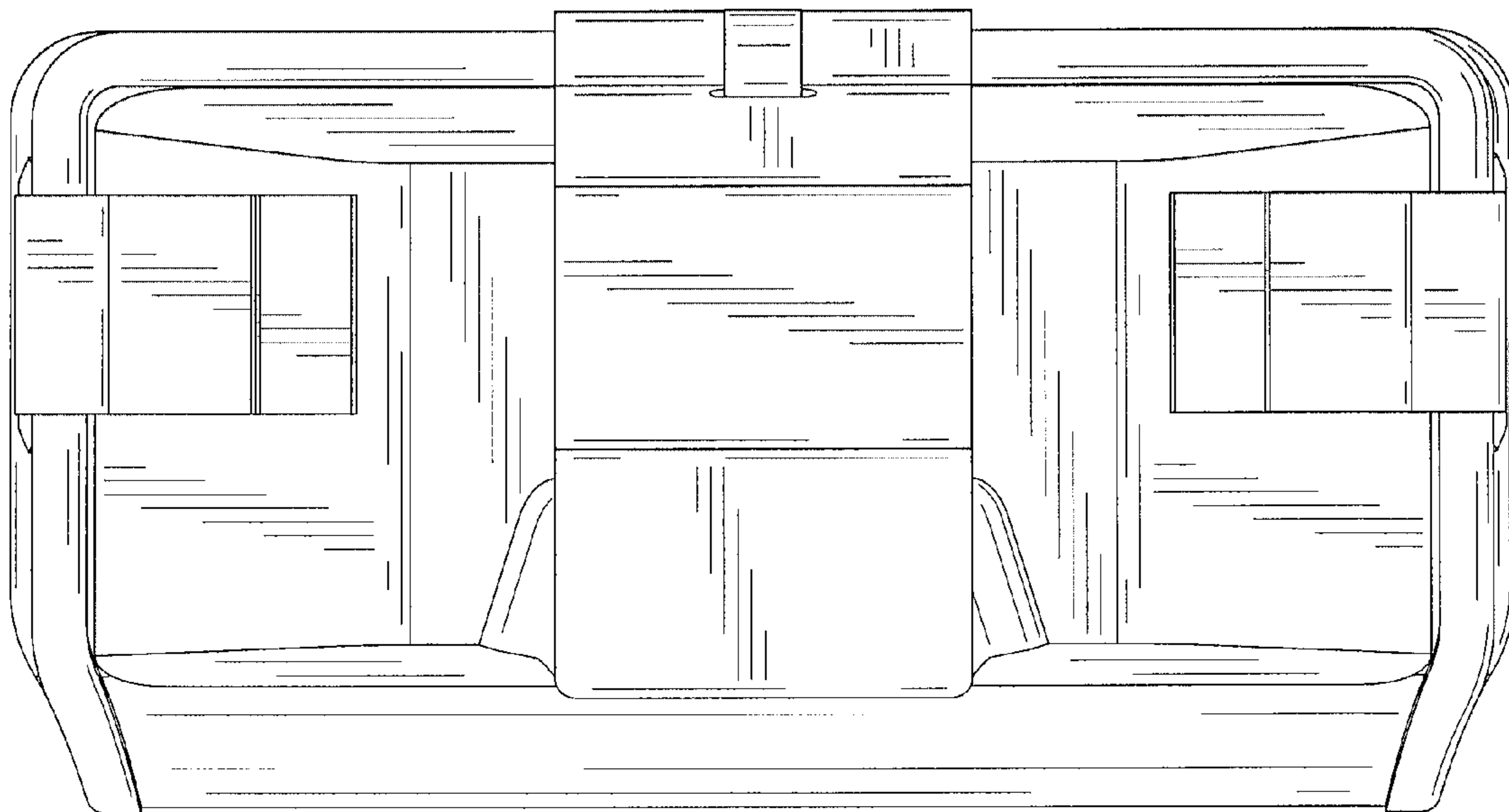


FIG.5

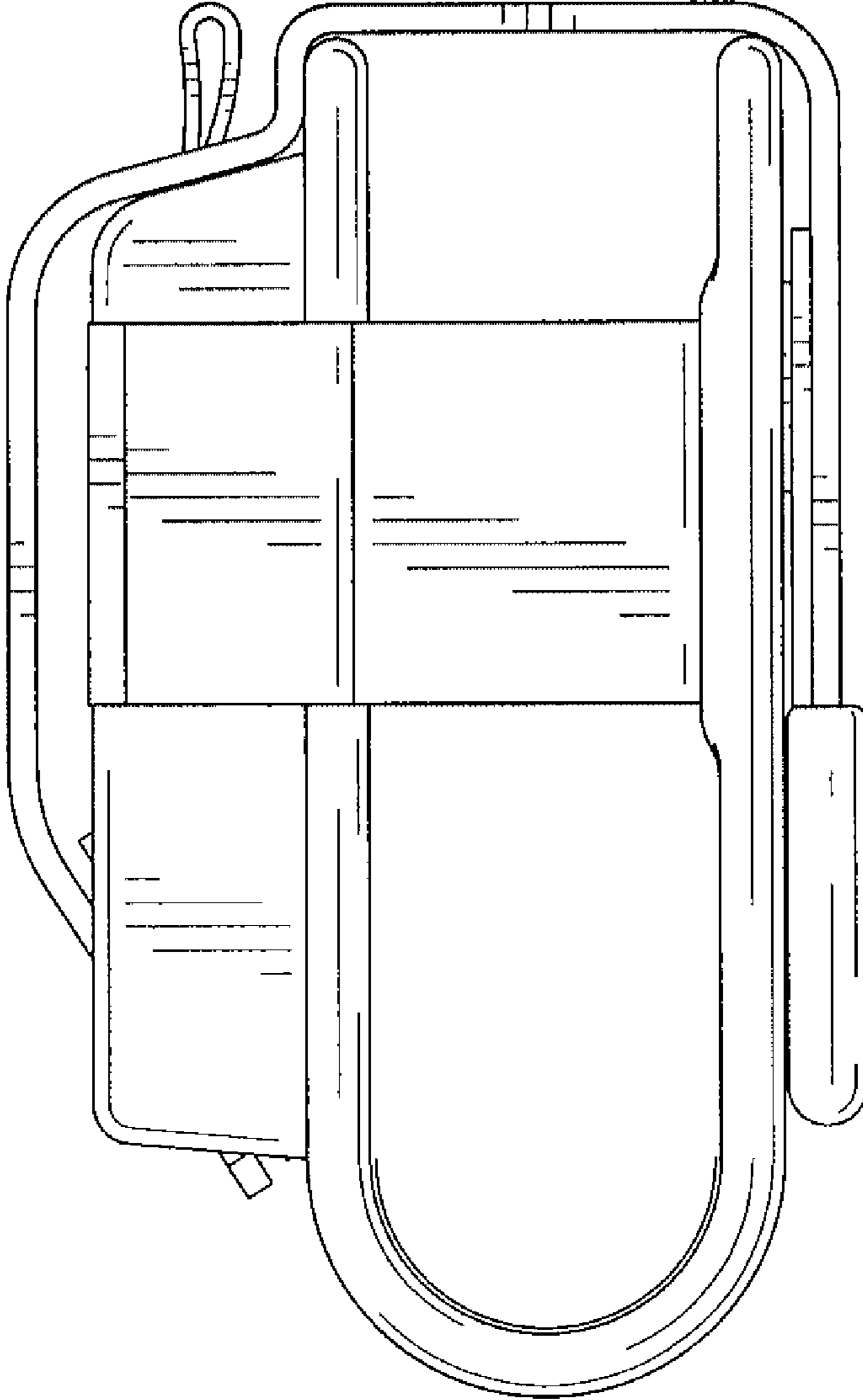


FIG.6

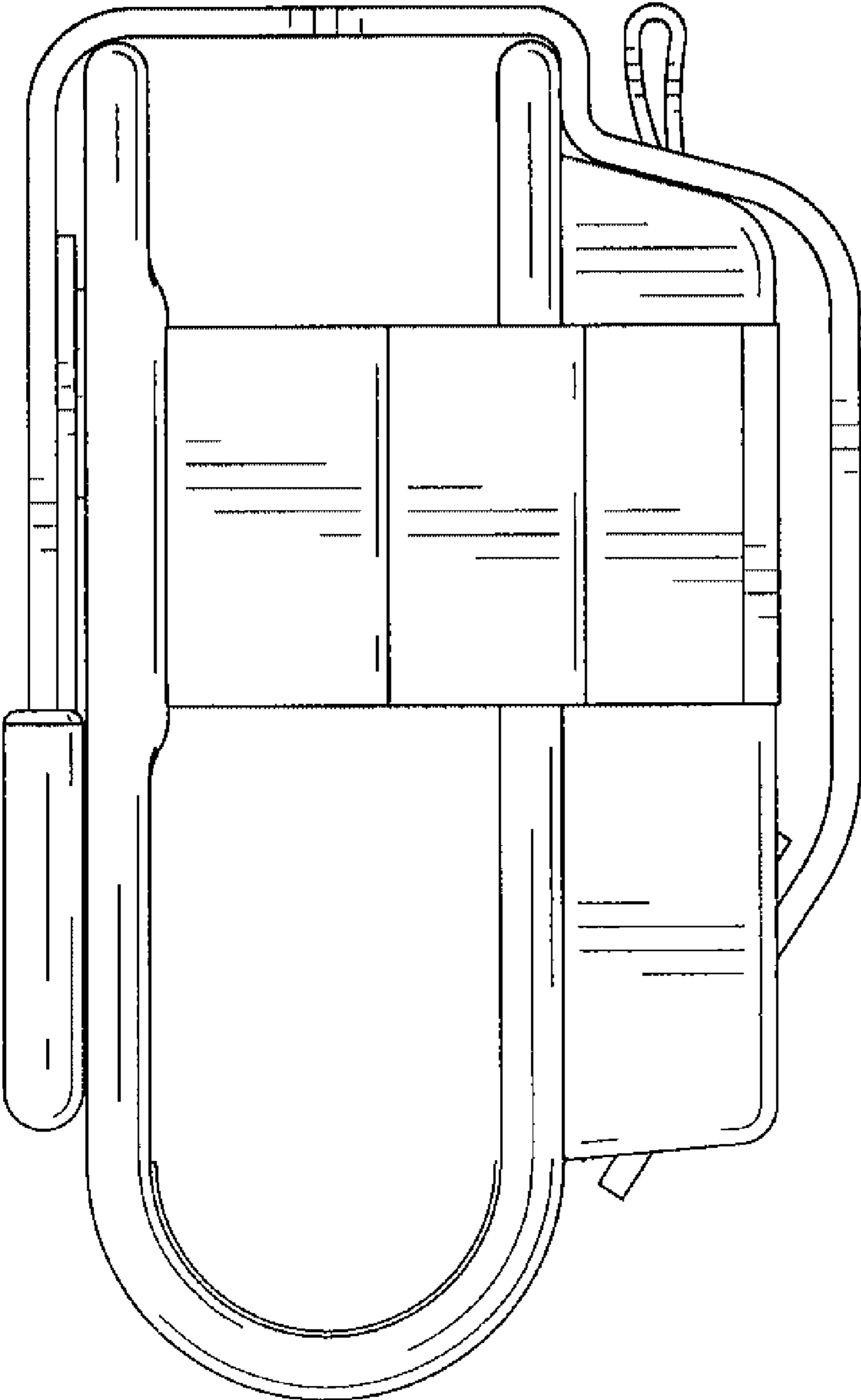


FIG.7

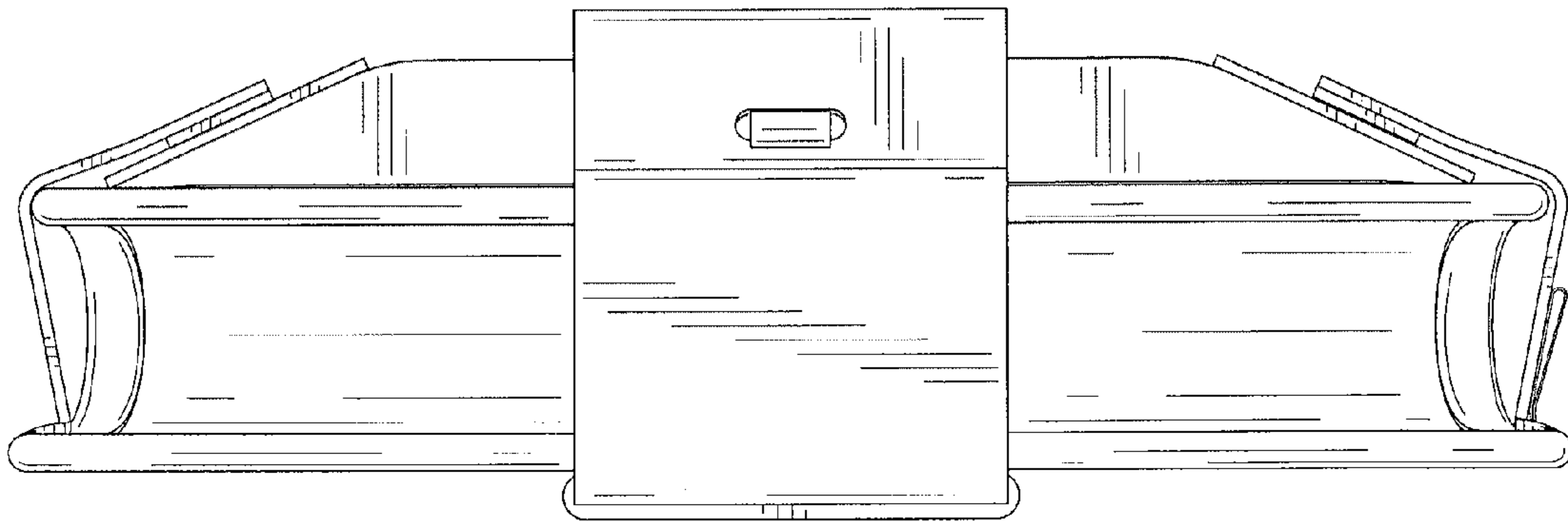


FIG.8

