



US00D635353S

(12) **United States Design Patent**  
**Buchheim**

(10) **Patent No.:** **US D635,353 S**

(45) **Date of Patent:** **\*\* Apr. 5, 2011**

(54) **LIGHTNING BOLT KEY CHAIN**

(76) Inventor: **Thomas Buchheim**, New York, NY (US)

(\*\*) Term: **14 Years**

(21) Appl. No.: **29/378,718**

(22) Filed: **Nov. 8, 2010**

(51) **LOC (9) Cl.** ..... **03-01**

(52) **U.S. Cl.** ..... **D3/211**

(58) **Field of Classification Search** ..... D11/1-2,  
D11/14, 26-29, 89-92, 44, 48, 81, 99; 63/26-28,  
63/32; D3/207-212; D8/38; 70/456 B;  
206/37.1

See application file for complete search history.

(56) **References Cited**

**U.S. PATENT DOCUMENTS**

D499,500 S \* 12/2004 Ciongoli ..... D26/38  
D623,848 S \* 9/2010 Hirvimaki ..... D3/207

\* cited by examiner

*Primary Examiner* — Ralf Seifert

(74) *Attorney, Agent, or Firm* — Cascio & Zervas

(57) **CLAIM**

The ornamental design for a lightning bolt key chain, as shown and described.

**DESCRIPTION**

FIG. 1 is a front elevational view of the lightning bolt key chain showing my design;

FIG. 2 is a rear elevational view thereof;

FIG. 3 is a top plan view thereof;

FIG. 4 is a bottom plan view thereof;

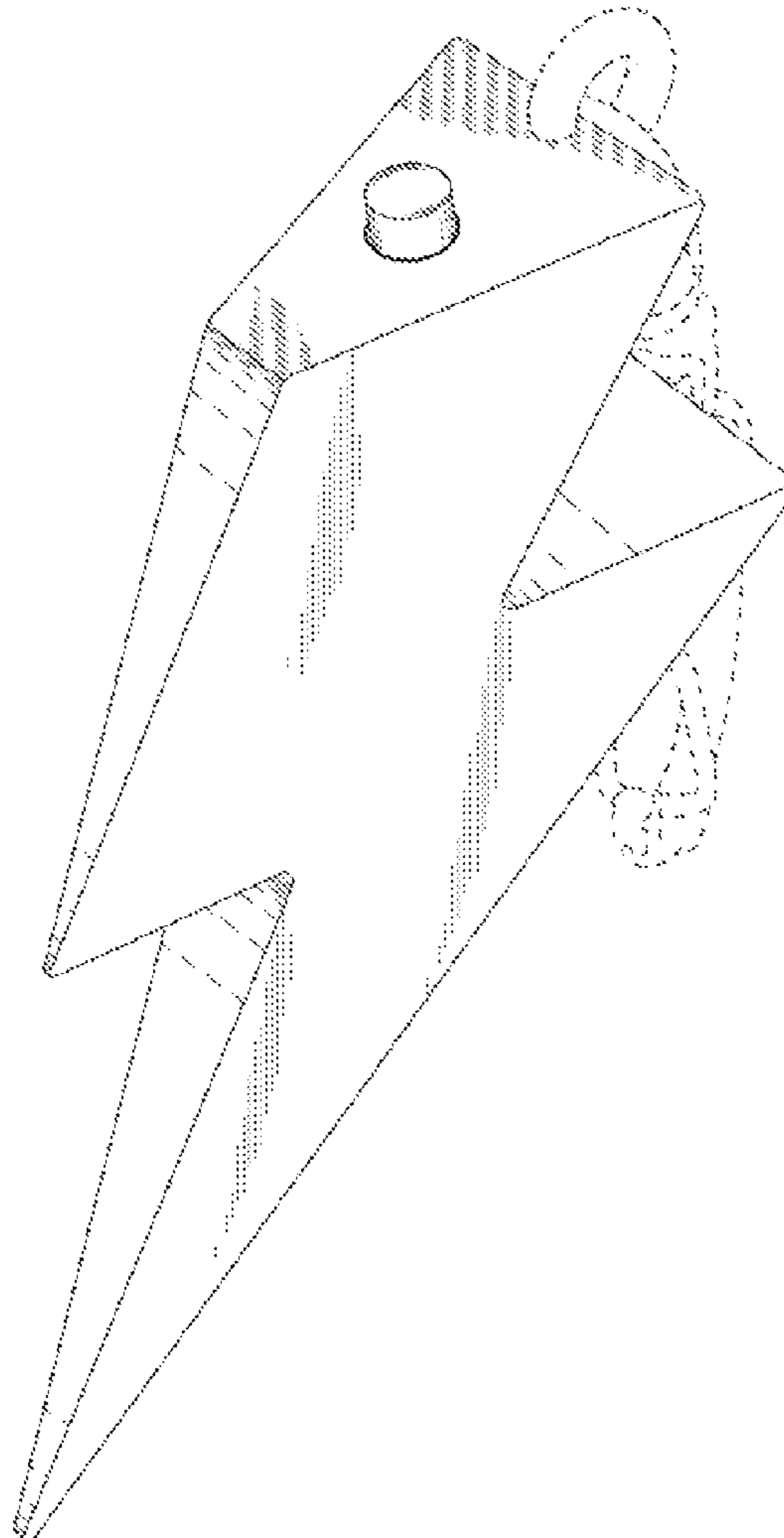
FIG. 5 is a left side elevational view thereof;

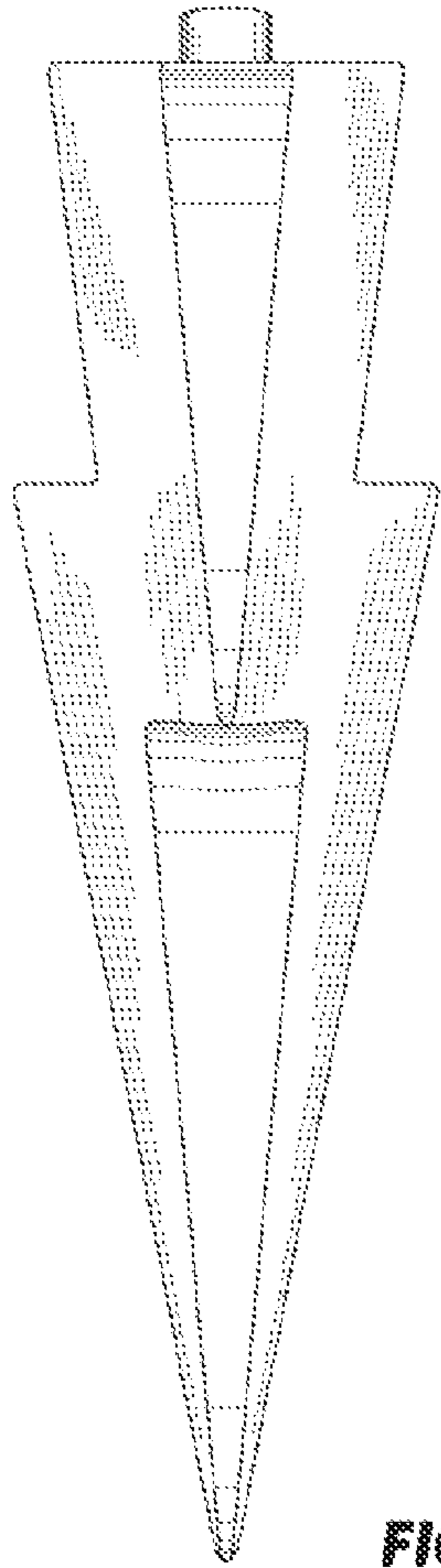
FIG. 6 is a right side elevational view thereof; and,

FIG. 7 is a front perspective view thereof.

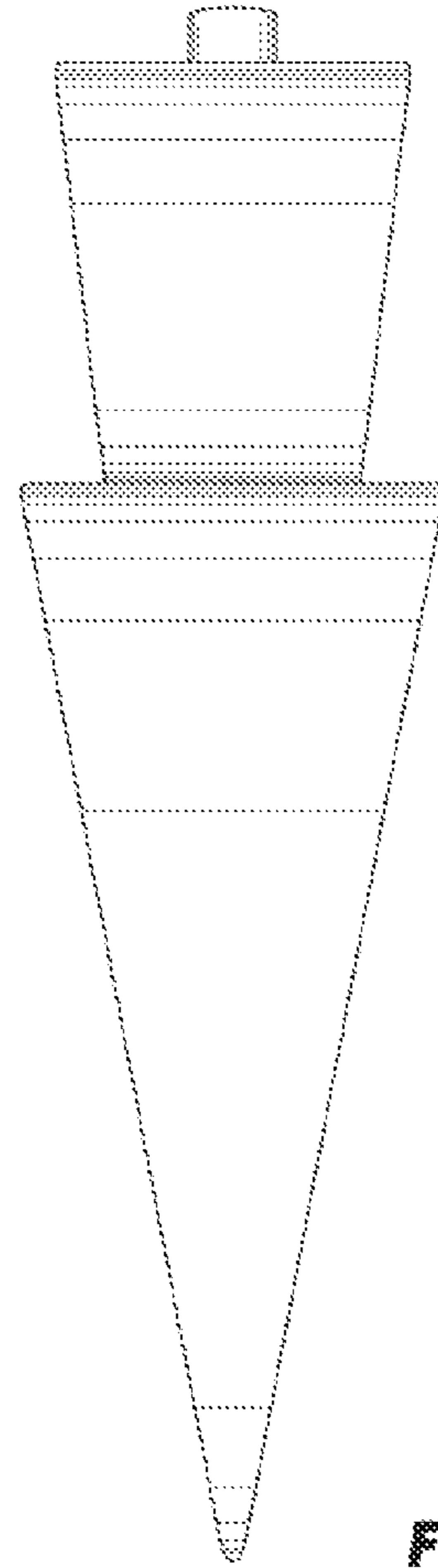
The broken line in FIG. 7 showing a chain is for illustration purposes only and forms no part of the claimed design.

**1 Claim, 3 Drawing Sheets**

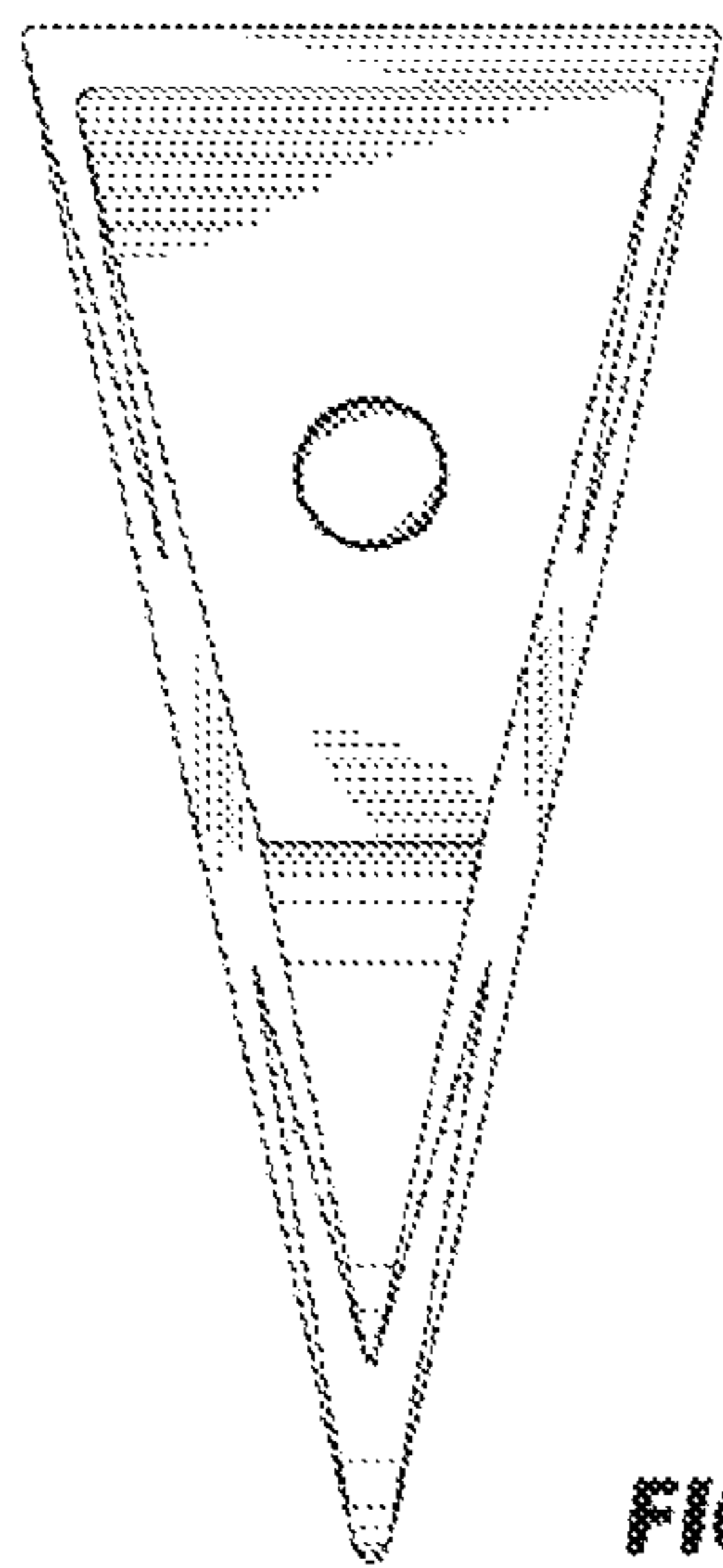




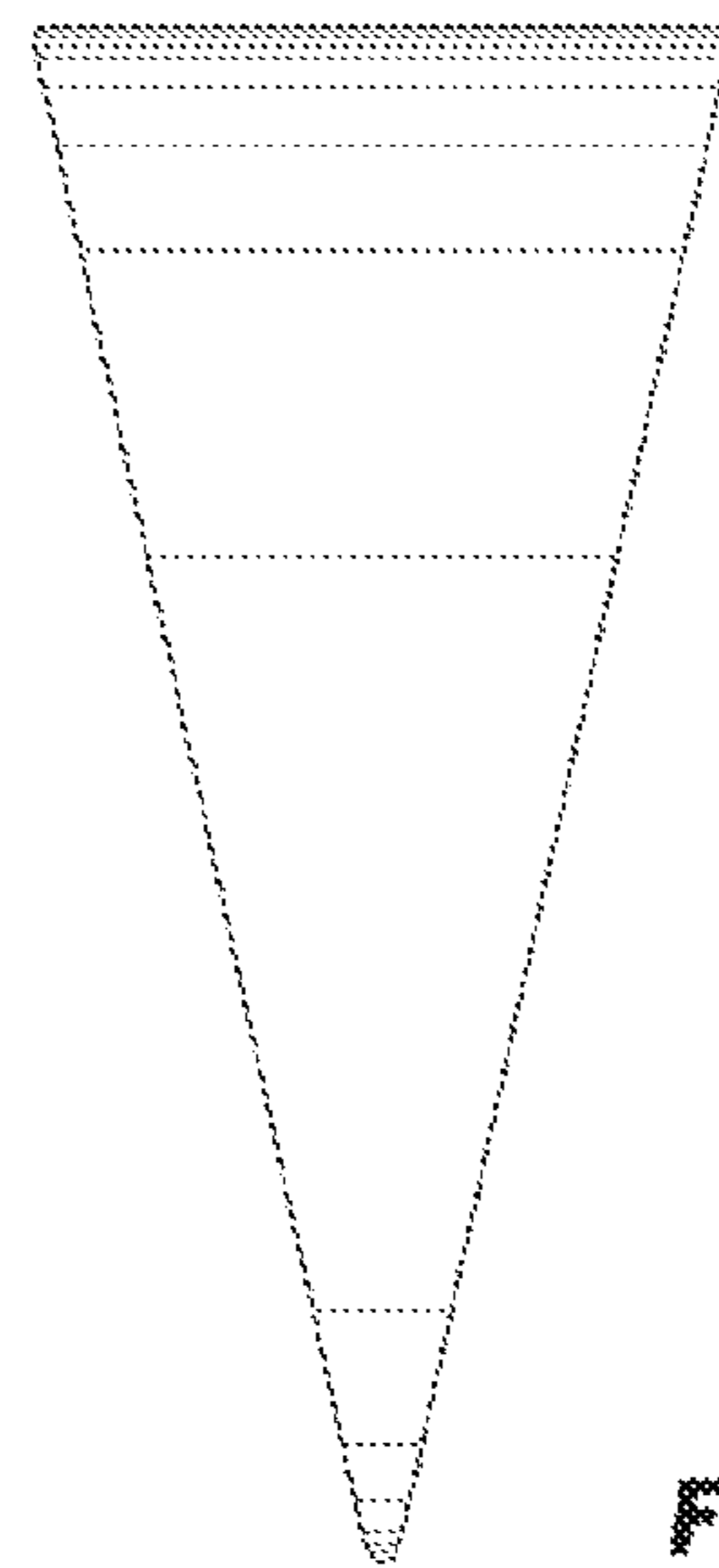
**FIG. 1**



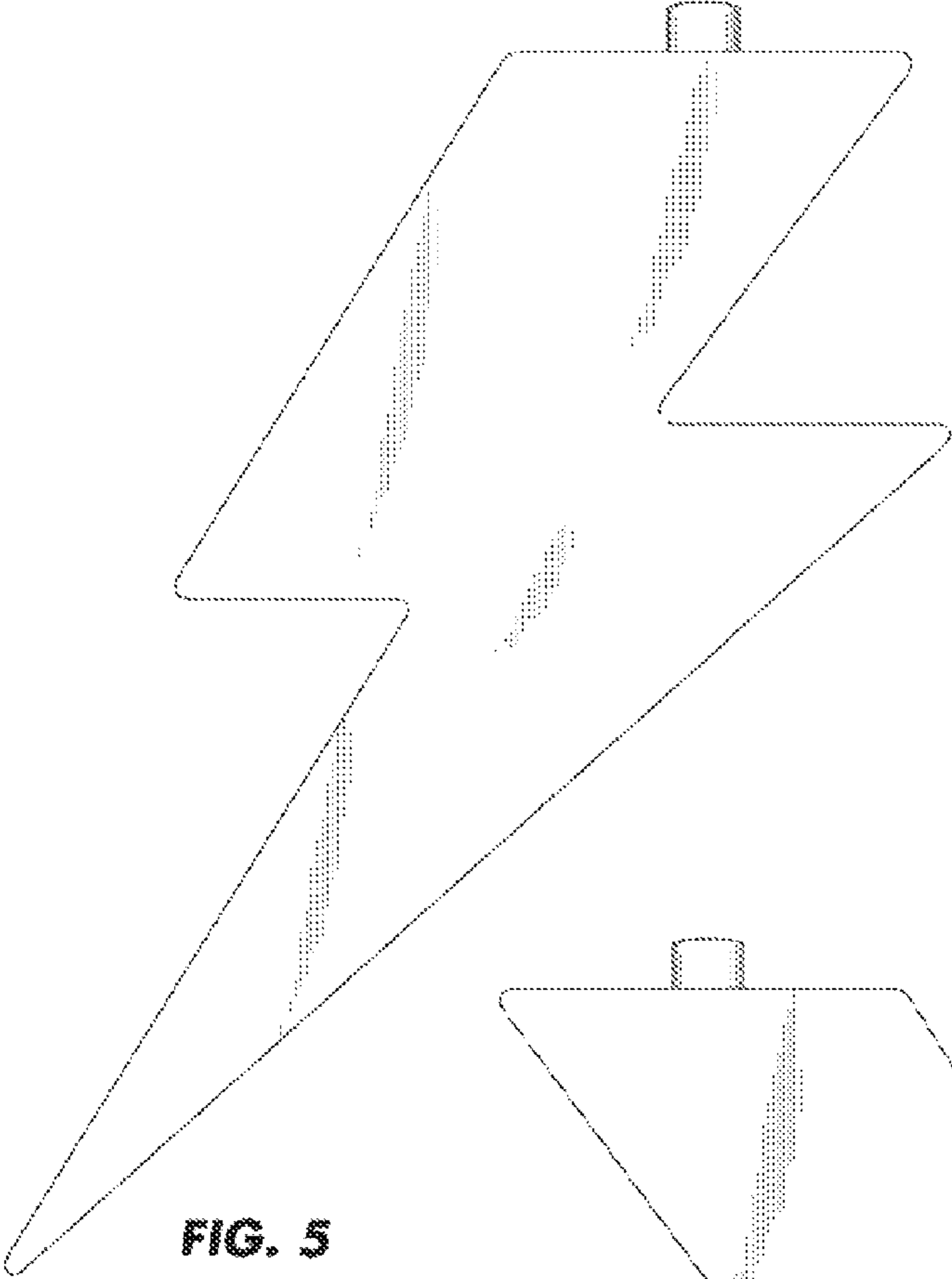
**FIG. 2**



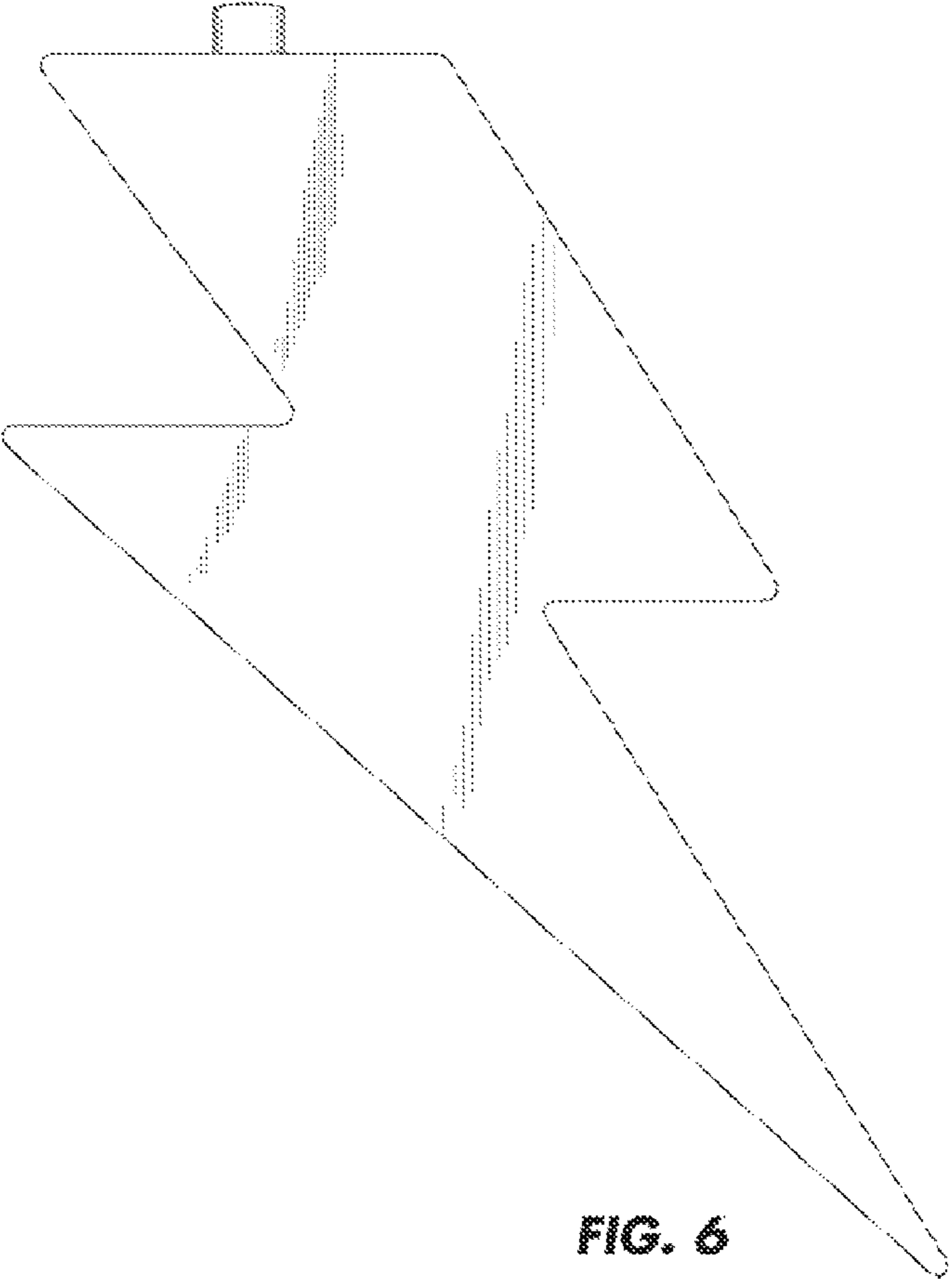
**FIG. 3**



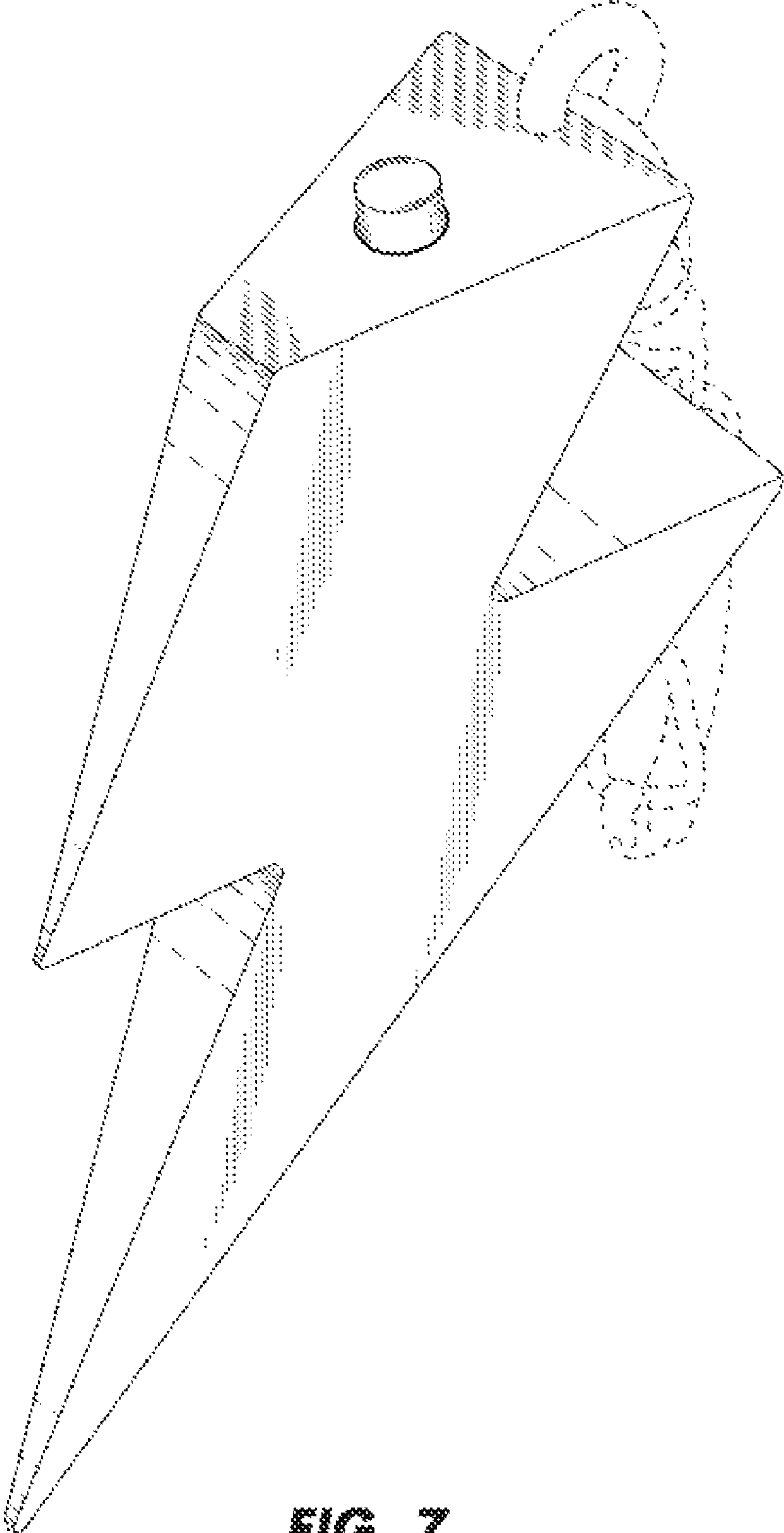
**FIG. 4**



**FIG. 5**



**FIG. 6**



**FIG. 7**