

US00D635352S

(12) **United States Design Patent**
Himley et al.

(10) **Patent No.:** **US D635,352 S**

(45) **Date of Patent:** **** Apr. 5, 2011**

(54) **CAR ALARM KEY FOB**

(76) Inventors: **Lee Ann Himley**, Schaumburg, IL (US);
Lynne M. Andrews, Roselle, IL (US)

(**) Term: **14 Years**

(21) Appl. No.: **29/367,694**

(22) Filed: **Aug. 11, 2010**

(51) **LOC (9) Cl.** **03-01**

(52) **U.S. Cl.** **D3/208**

(58) **Field of Classification Search** D11/1-2,
D11/14, 26-29, 89-92, 44, 48, 81, 99; 63/26-28,
63/32; D3/207-212; D8/38; 70/456 B;
206/37.1

See application file for complete search history.

(56) **References Cited**

U.S. PATENT DOCUMENTS

D356,440	S *	3/1995	Stillwagon	D3/208
5,889,472	A	3/1999	Nagel et al.		
6,172,599	B1	1/2001	Bothen		
D448,157	S *	9/2001	Wright	D3/208
D461,047	S *	8/2002	Peterson	D3/208

6,696,983	B2	2/2004	Tang et al.		
D495,483	S *	9/2004	Vickers et al.	D3/208
7,034,238	B2	4/2006	Uleski et al.		
D577,485	S *	9/2008	Mohs	D3/207
D603,601	S *	11/2009	Ohta et al.	D3/207

* cited by examiner

Primary Examiner — Ralf Seifert

(74) *Attorney, Agent, or Firm* — Crossley Patent Law; Mark A. Crossley

(57) **CLAIM**

The ornamental design for a car alarm key fob, as shown and described.

DESCRIPTION

FIG. 1 is a front elevation view of a car alarm key fob showing our new design;

FIG. 2 is a rear elevation view thereof;

FIG. 3 is a right elevation view thereof;

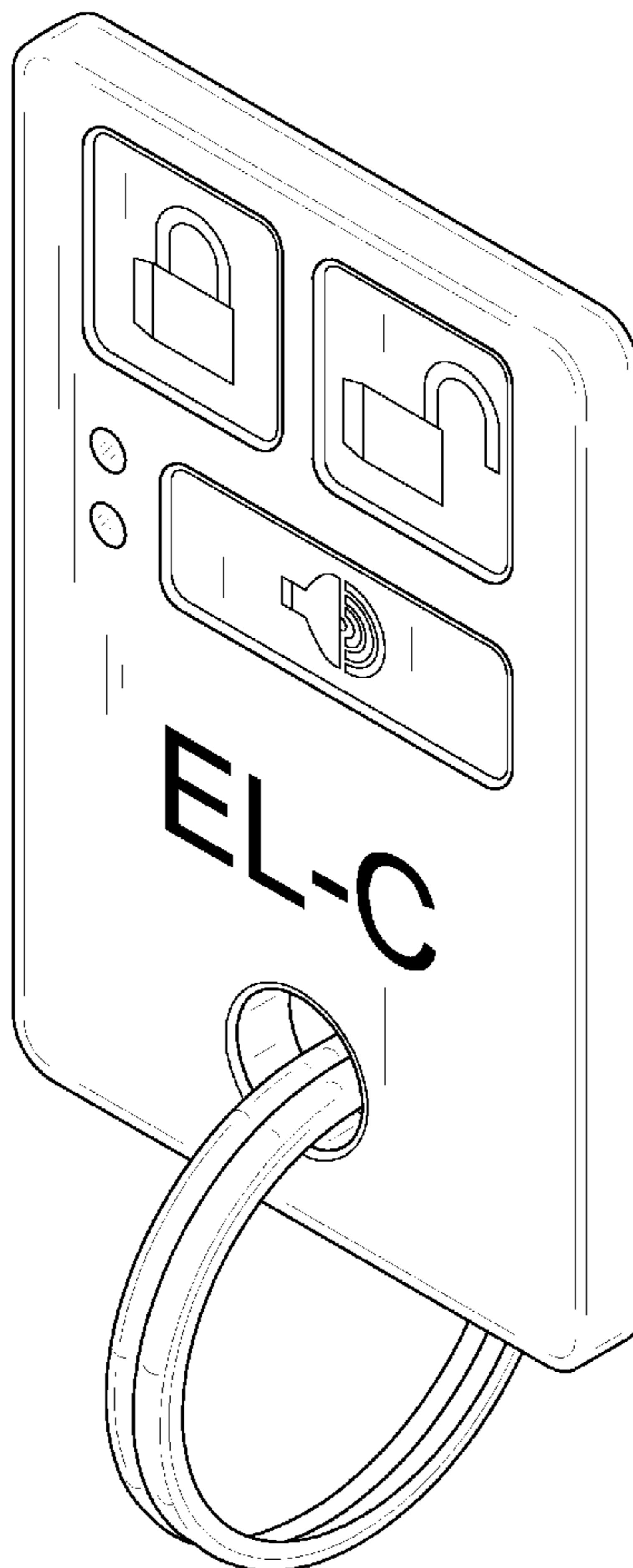
FIG. 4 is a left elevation thereof;

FIG. 5 is a top plan view thereof;

FIG. 6 is a bottom plan view thereof; and,

FIG. 7 is an isometric view thereof.

1 Claim, 5 Drawing Sheets



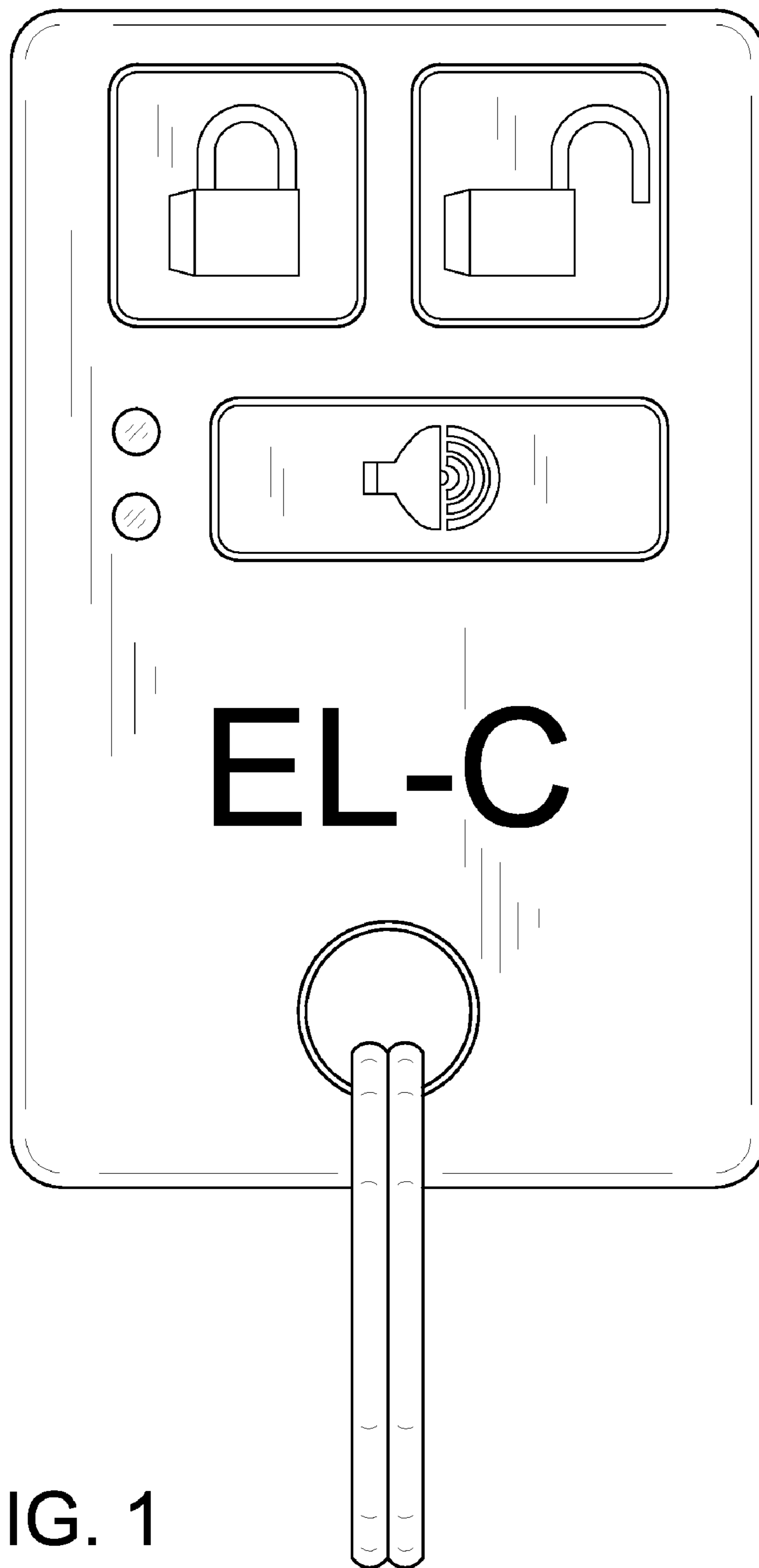


FIG. 1

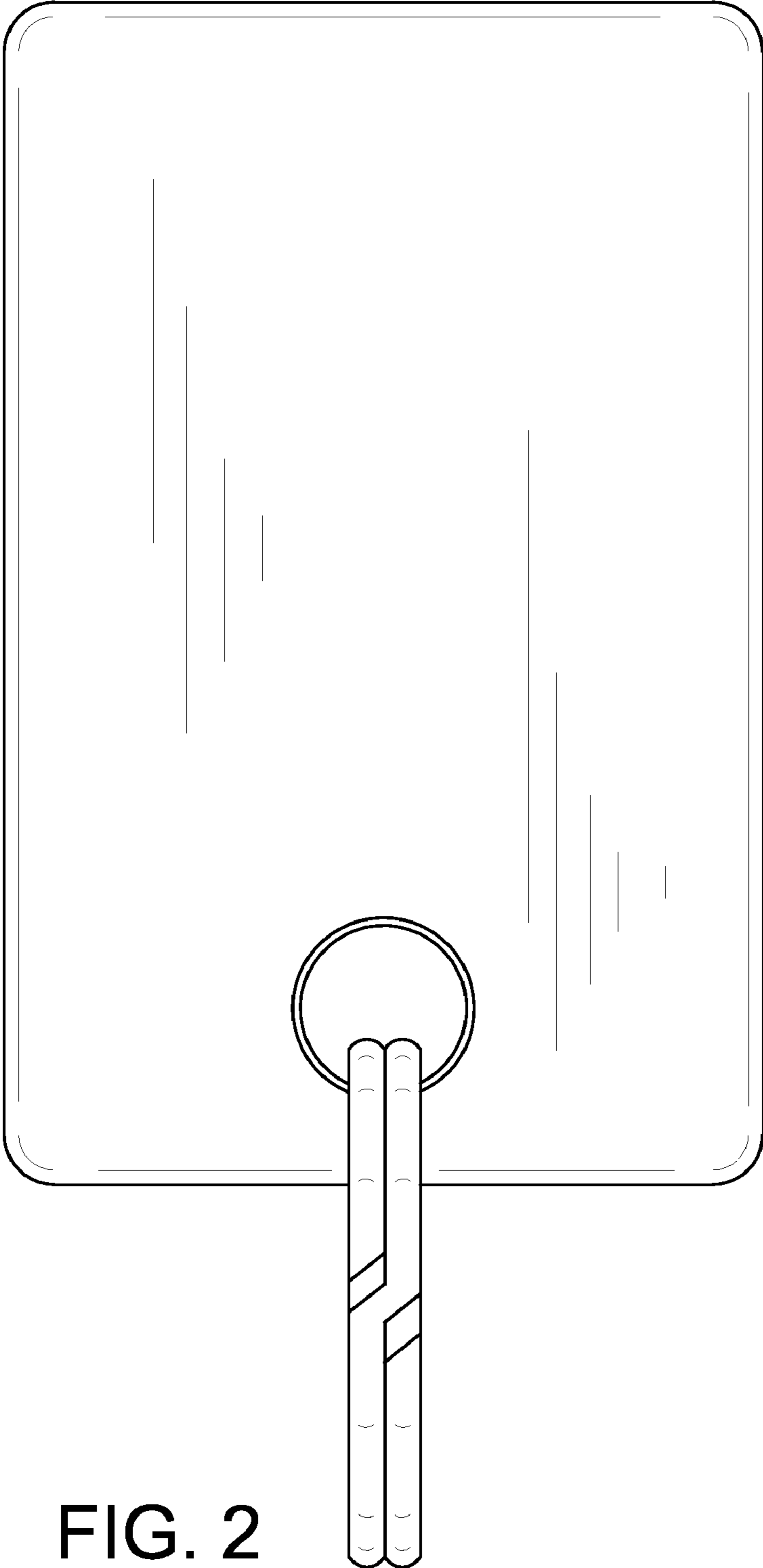


FIG. 2

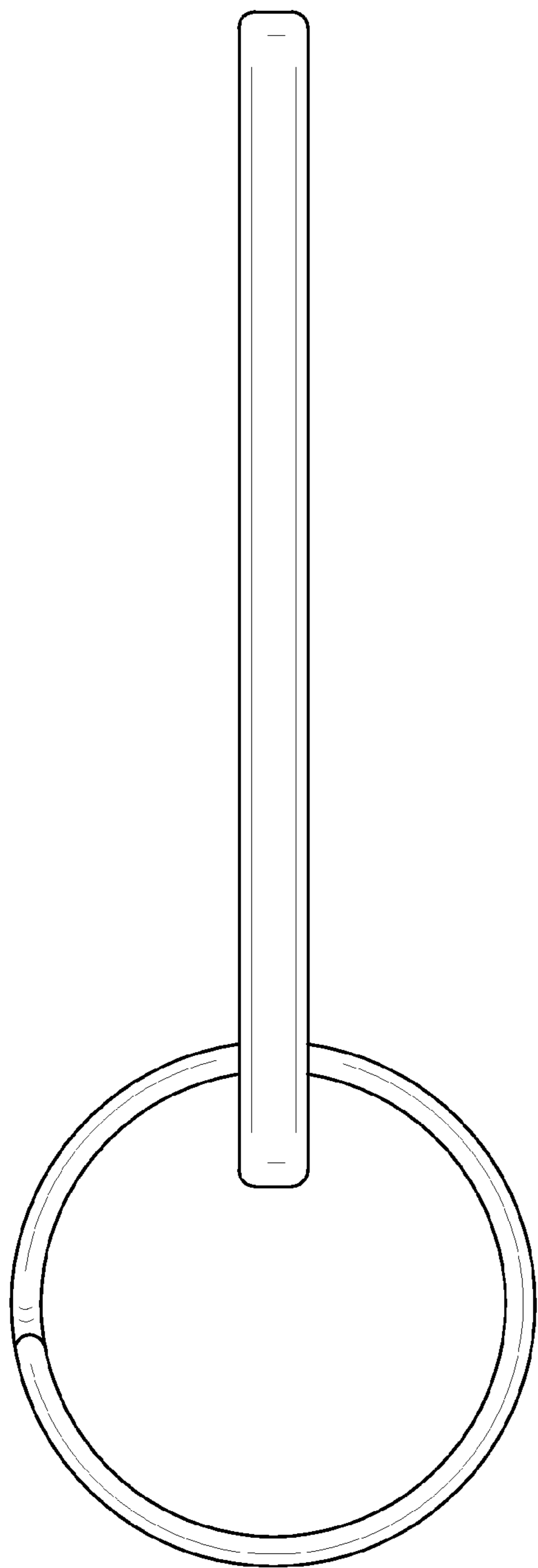


FIG. 3

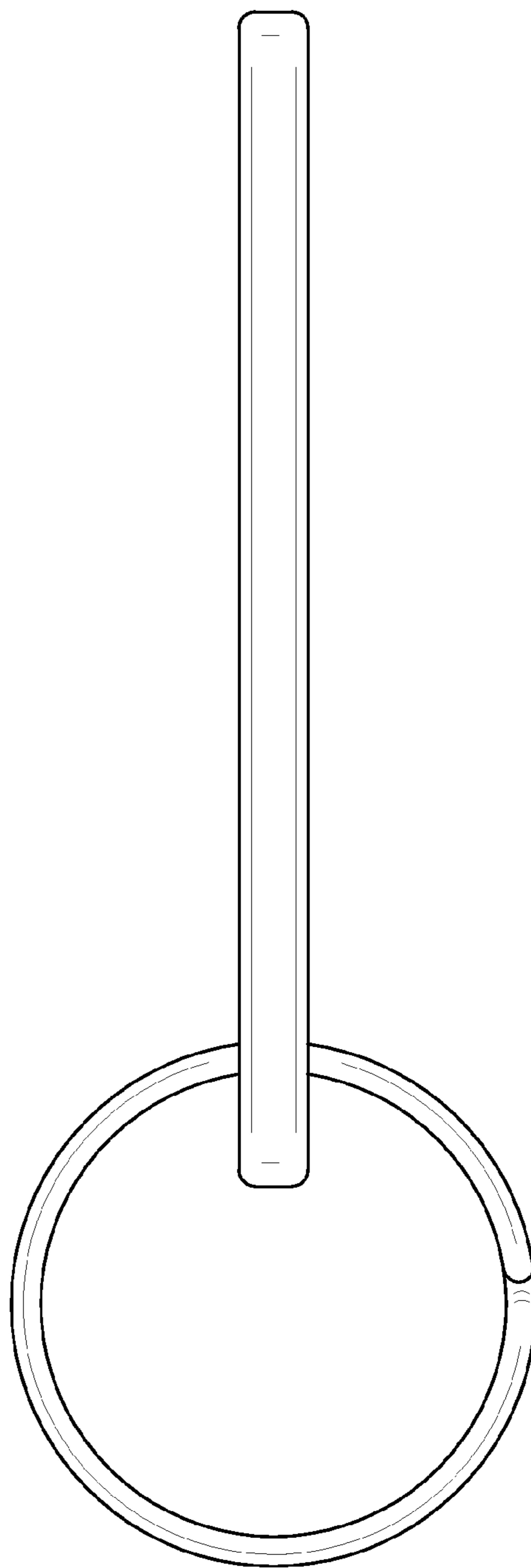


FIG. 4

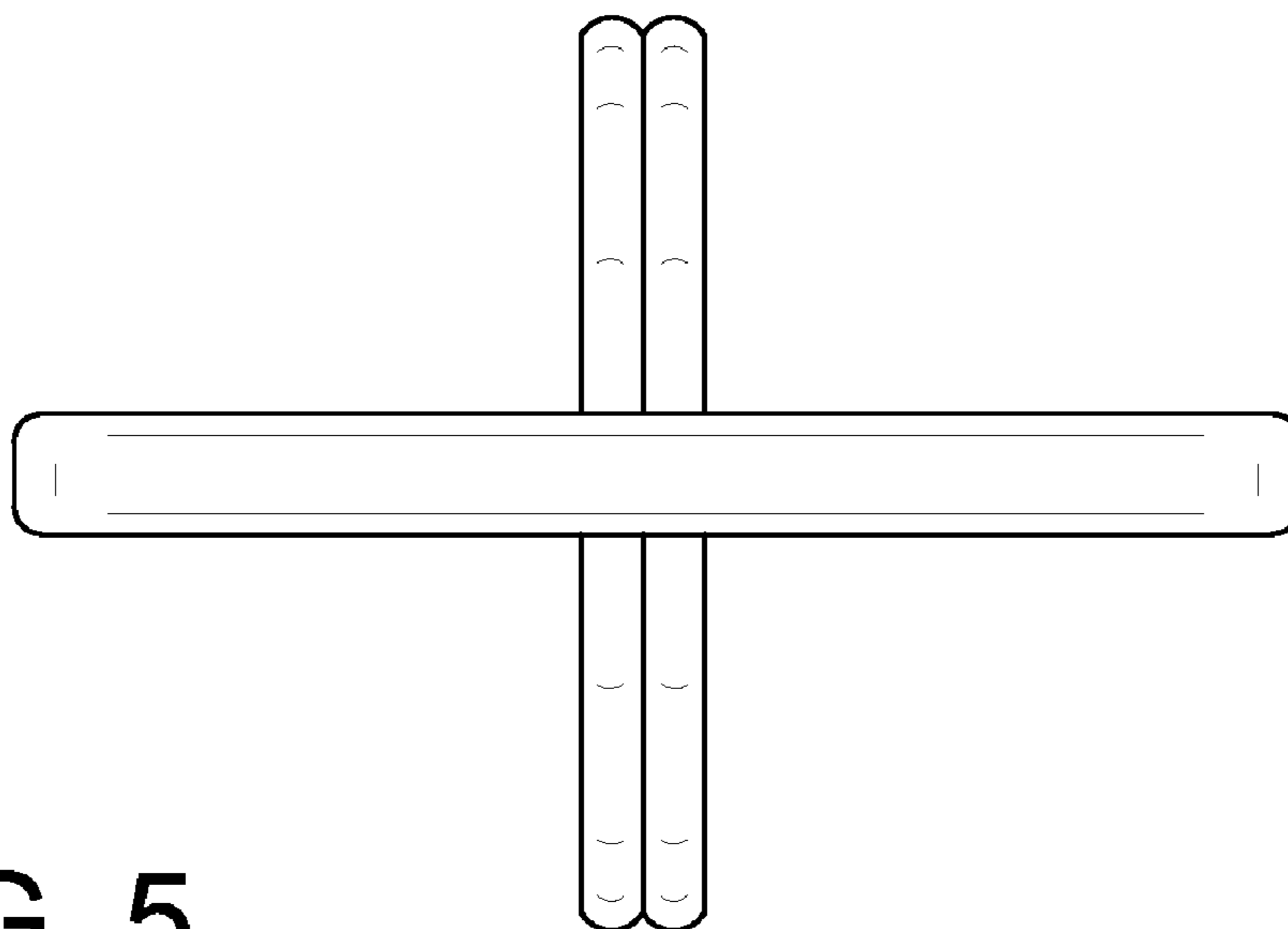


FIG. 5

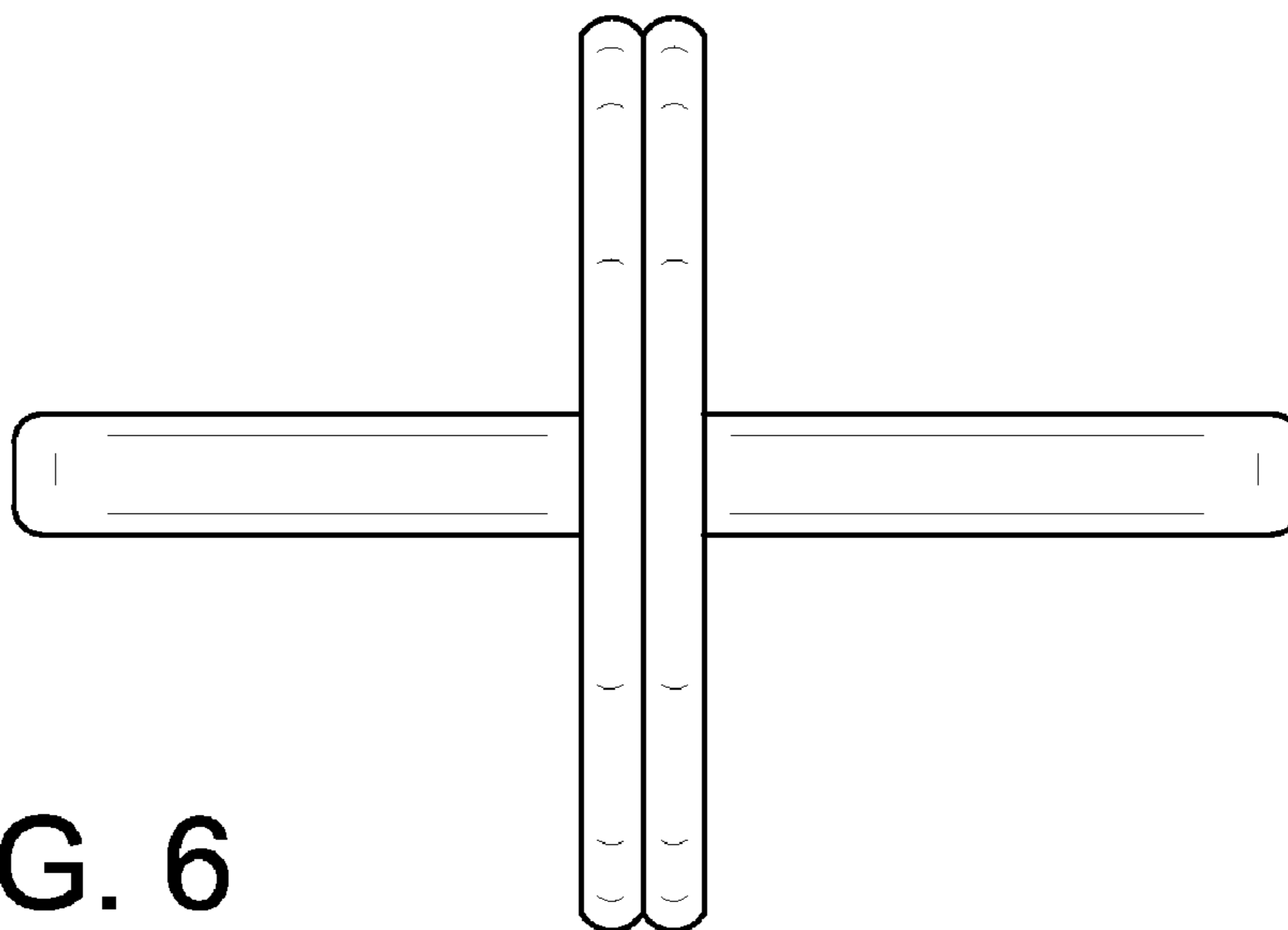


FIG. 6

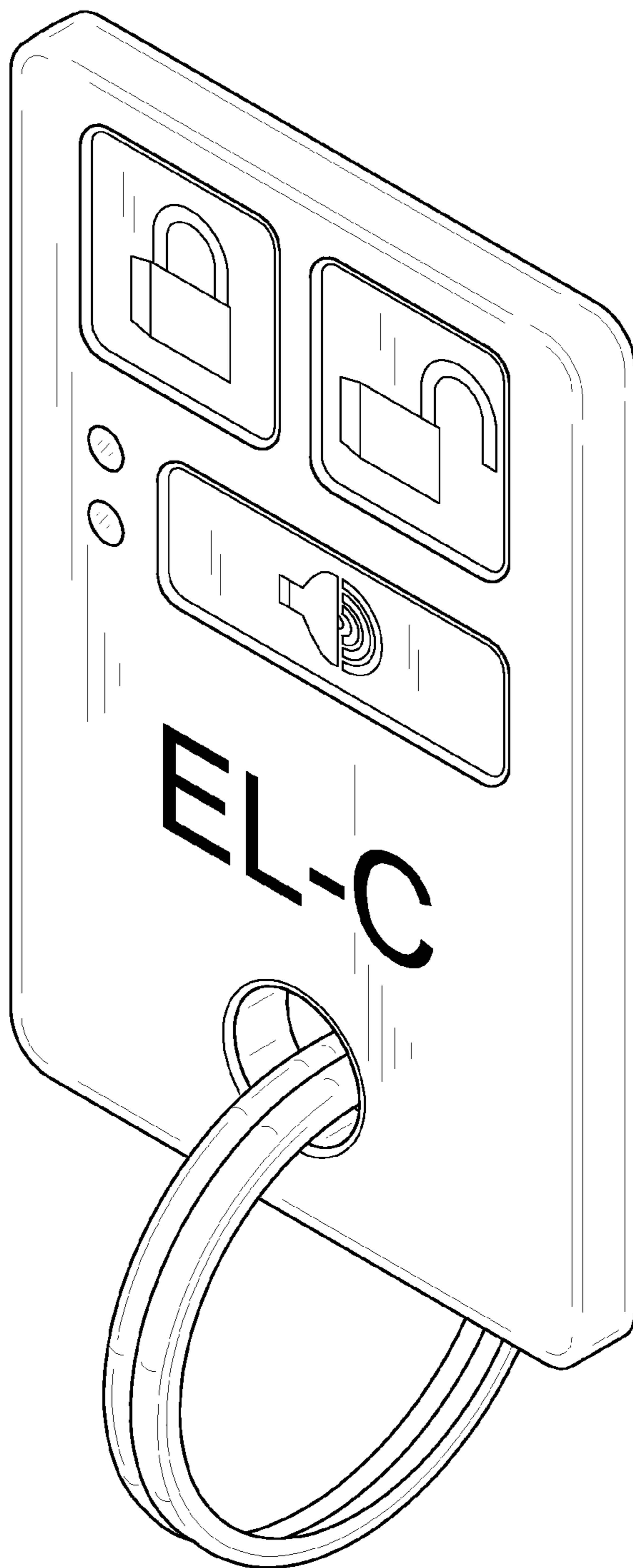


FIG. 7