



US00D635351S

(12) **United States Design Patent**
White

(10) **Patent No.:** **US D635,351 S**

(45) **Date of Patent:** **** Apr. 5, 2011**

(54) **CANE TIP**

(75) **Inventor:** **Velton C. White**, Burlington, WI (US)

(73) **Assignee:** **Go Steady, LLC**, Burlington, WI (US)

(**) **Term:** **14 Years**

(21) **Appl. No.:** **29/356,509**

(22) **Filed:** **Feb. 26, 2010**

(51) **LOC (9) Cl.** **03-03**

(52) **U.S. Cl.** **D3/17**

(58) **Field of Classification Search** D3/9, 10,
D3/17; 135/66, 77

See application file for complete search history.

(56) **References Cited**

U.S. PATENT DOCUMENTS

4,899,771	A *	2/1990	Wilkinson	135/77
4,947,882	A	8/1990	Lavasseur		
D324,945	S	3/1992	Pina		
D324,946	S	3/1992	Karten		
D412,615	S	8/1999	Brightbill et al.		
6,131,593	A	10/2000	Greene et al.		
6,557,188	B1	5/2003	Peterson		
D476,803	S	7/2003	Margolis		
D513,862	S	1/2006	Kivela		
D522,232	S *	6/2006	Karasin et al.	D3/10

D576,402	S	9/2008	White		
D587,003	S *	2/2009	Shinohara	D3/17
7,686,025	B1 *	3/2010	Dowling	135/66

OTHER PUBLICATIONS

360 Degree Angle Cane—58115 [online], [retrieved on Feb. 26, 2010]. Retrieved from Collections Etc. website using Internet <URL: <http://www.collectionsetc.com/Item58115.aspx>>.

* cited by examiner

Primary Examiner — Doris Clark

(74) *Attorney, Agent, or Firm* — Dorr, Carson & Birney, P.C.

(57) **CLAIM**

The ornamental design for a cane tip, as shown and described.

DESCRIPTION

FIG. 1 is a front perspective view of a cane tip shown with an environment. The broken line showing of the lower portion of a cane is included for the purpose of illustrating an environment that forms no part of the claimed design.

FIG. 2 is a front elevational view thereof.

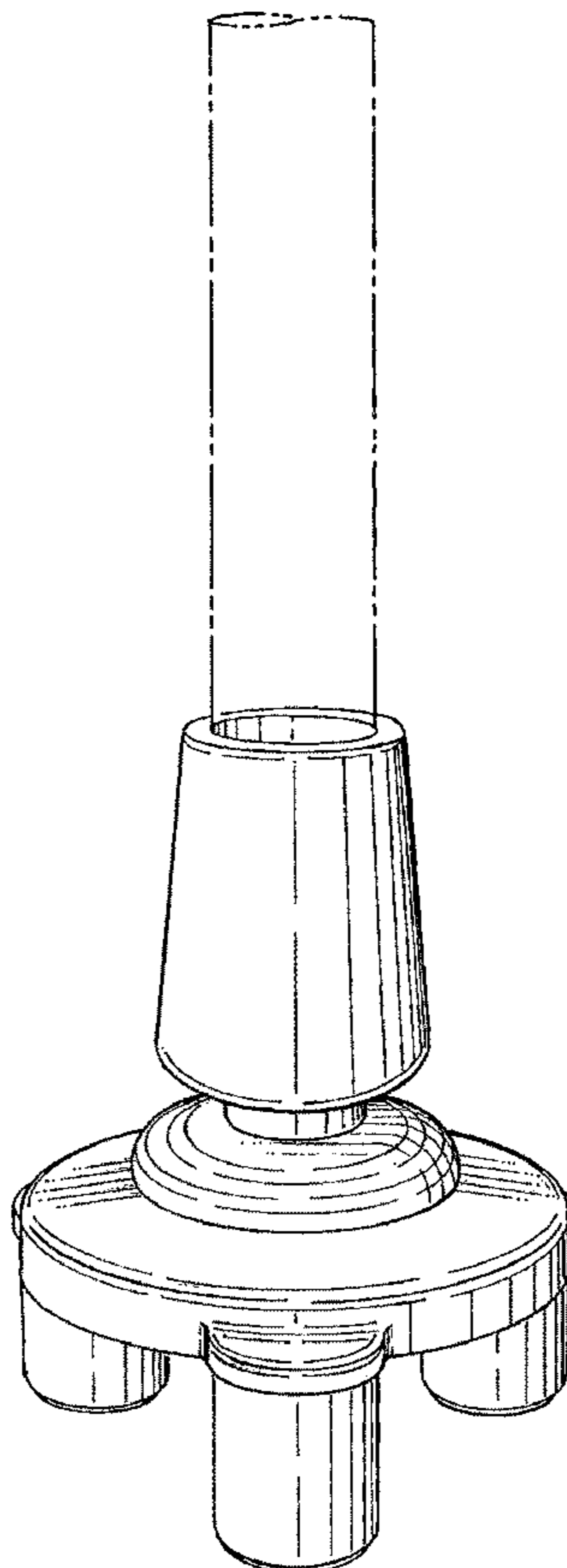
FIG. 3 is a rear elevational view thereof.

FIG. 4 is a left side elevational view thereof, with the right side elevational view being a mirror image of FIG. 4.

FIG. 5 is a top view thereof; and,

FIG. 6 is a bottom view thereof.

1 Claim, 4 Drawing Sheets



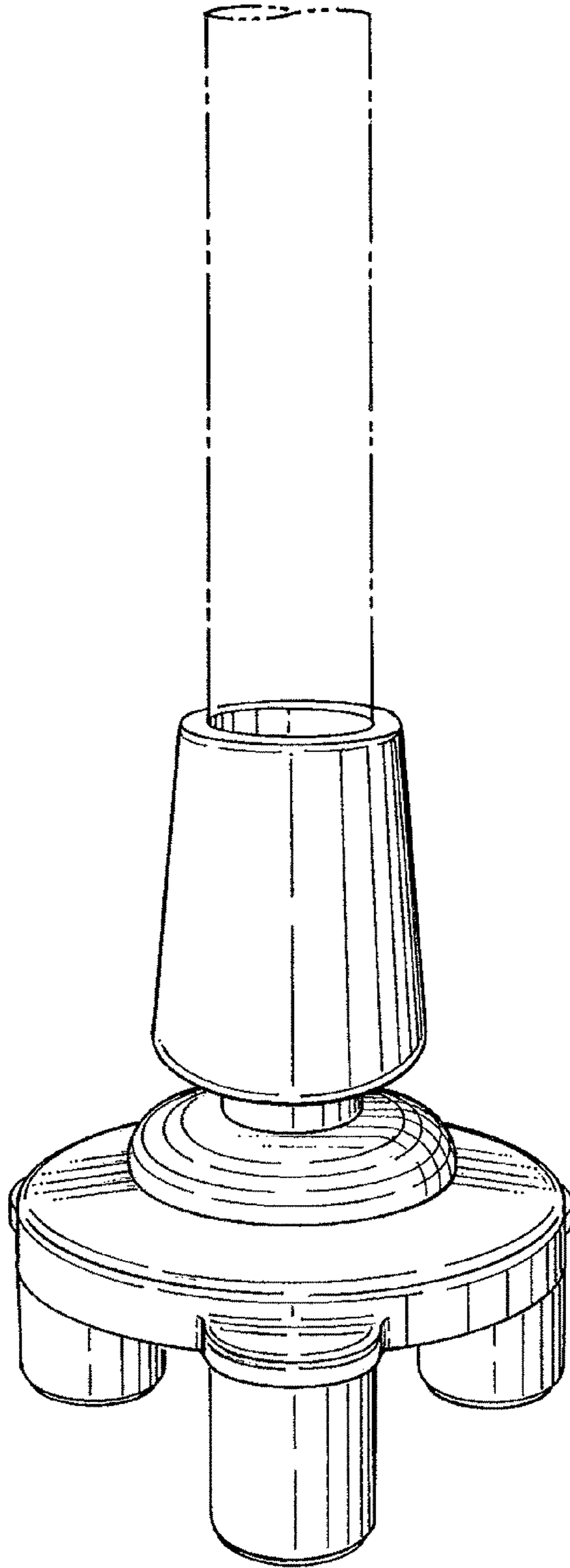


Fig. 1

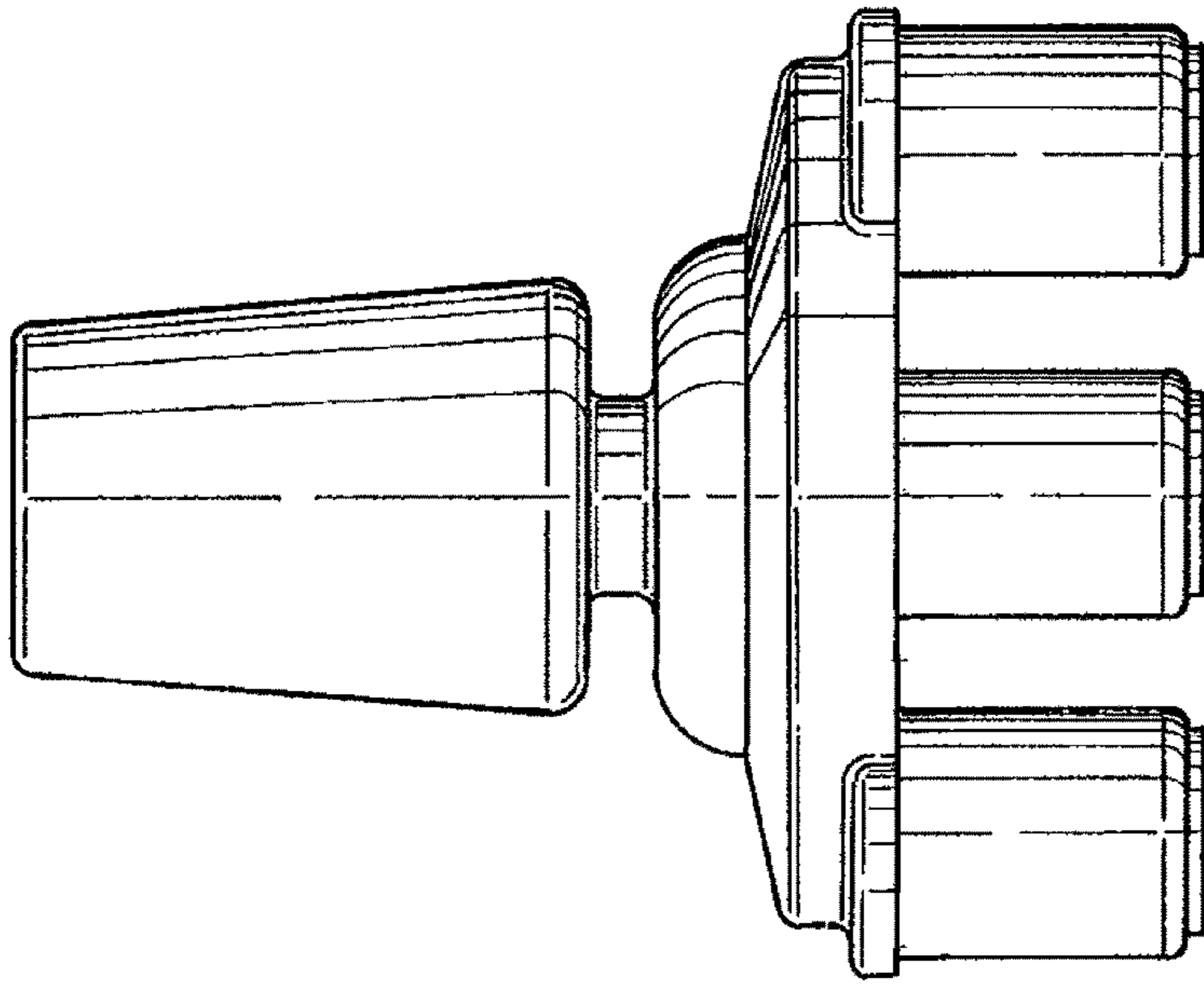


Fig. 3

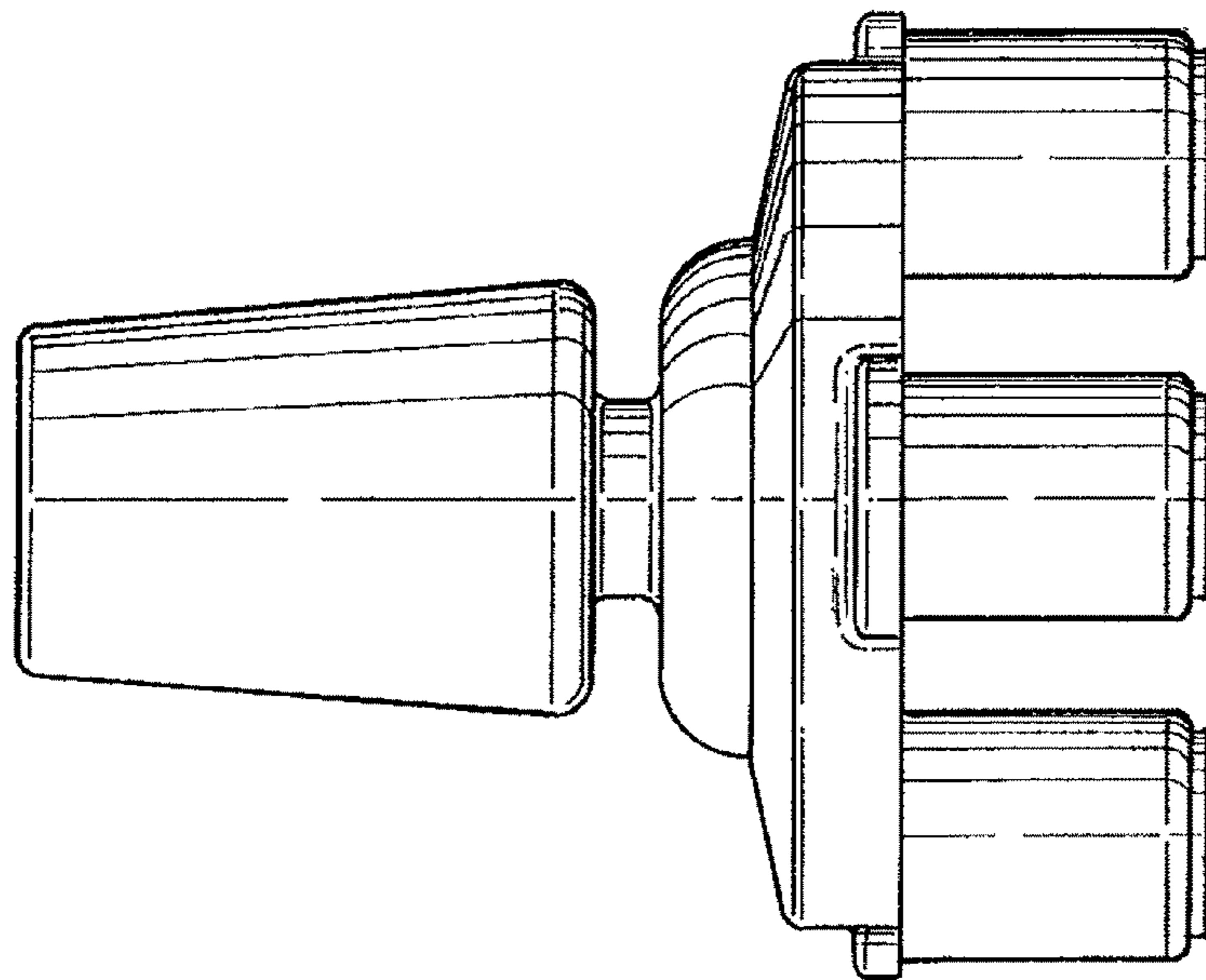


Fig. 2

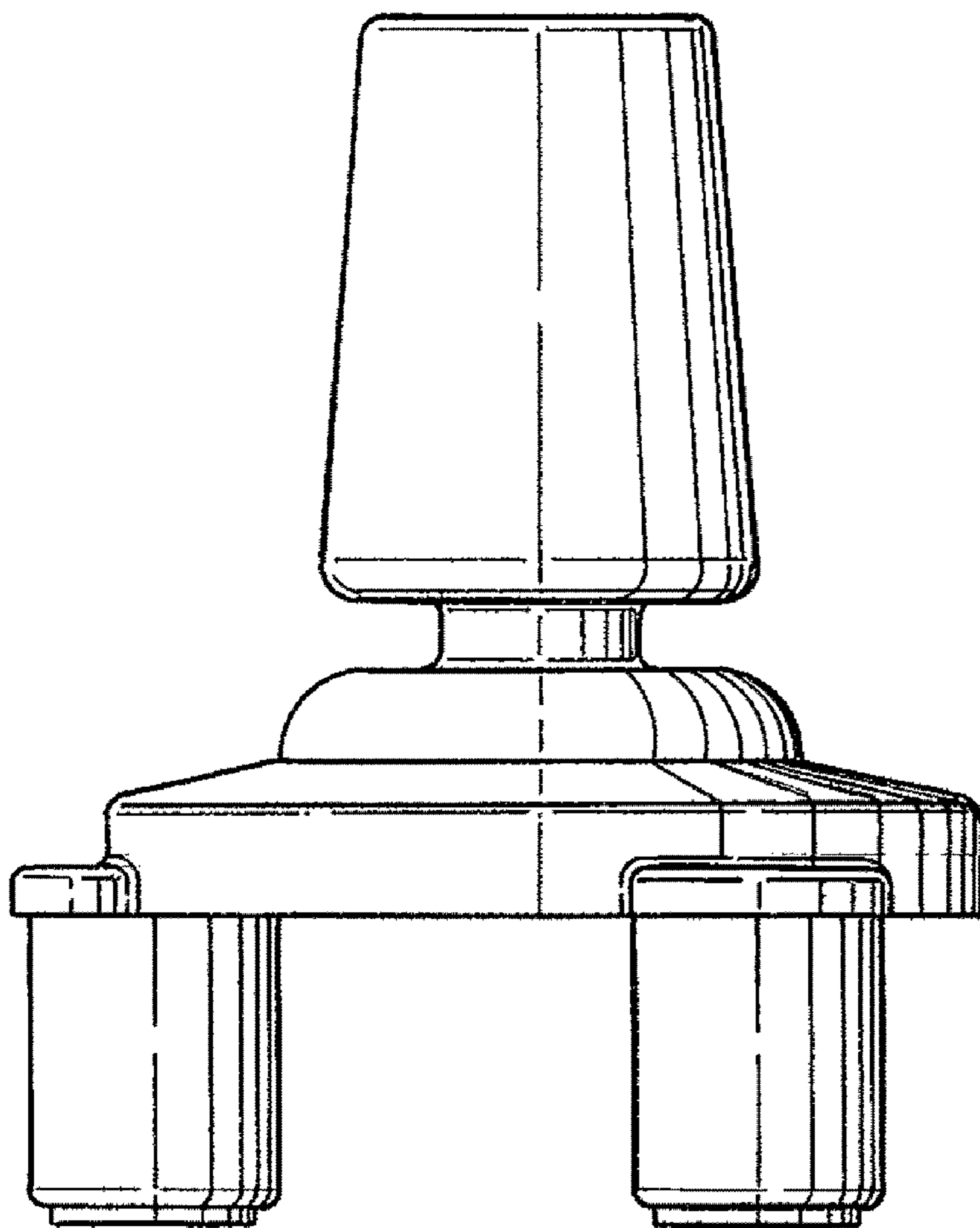


Fig. 4

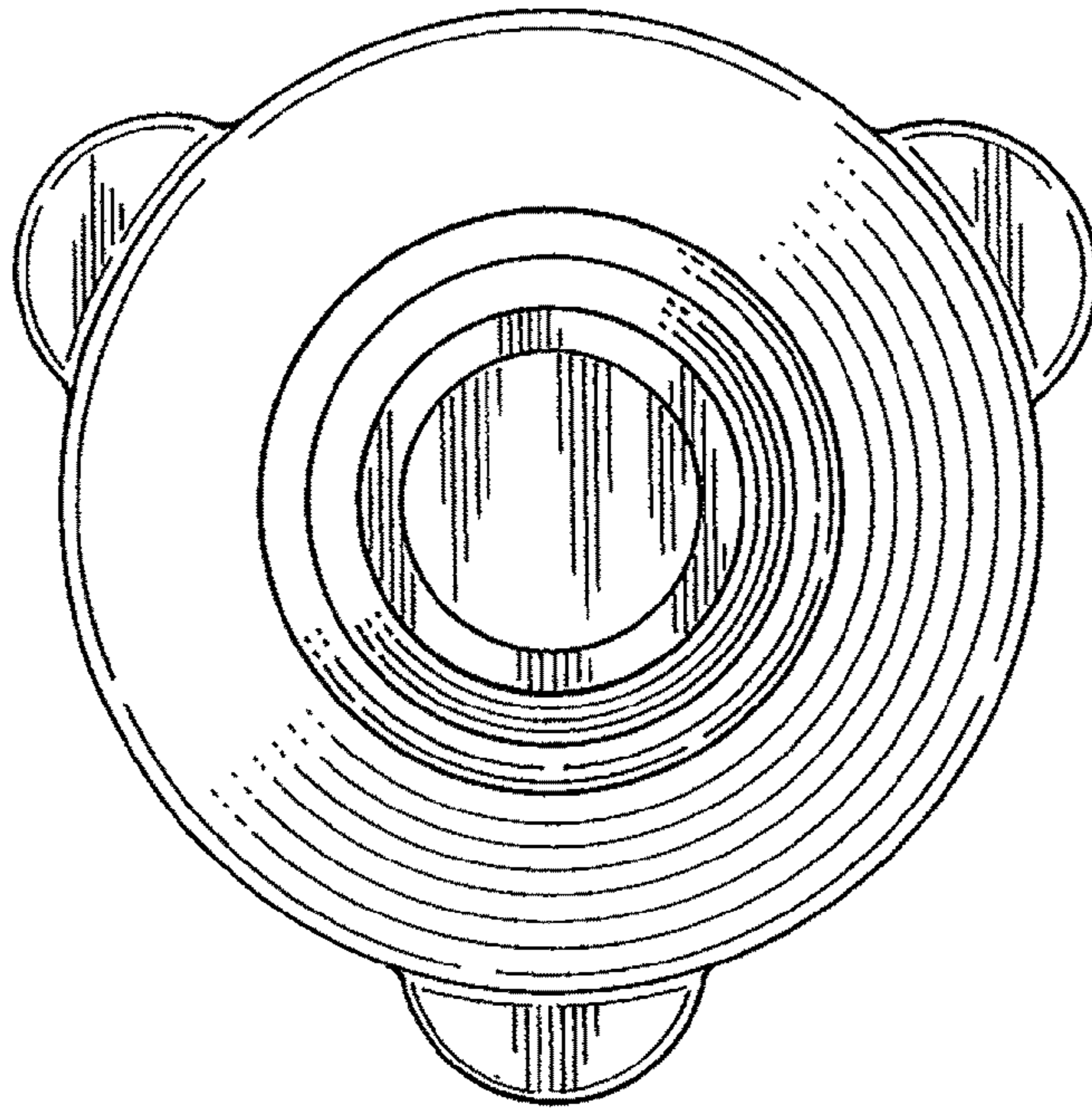


Fig. 5

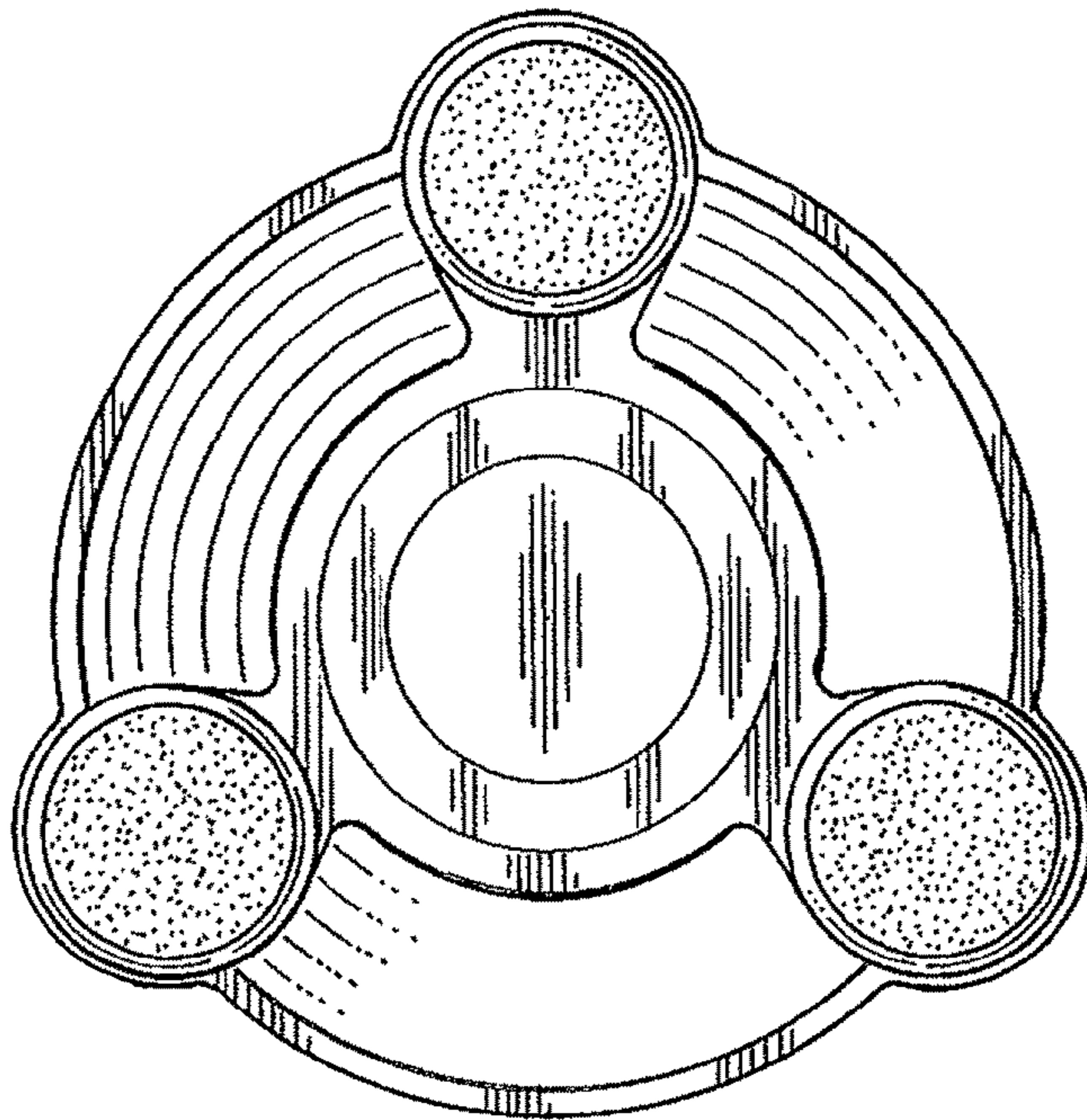


Fig. 6