



US00D635348S

(12) **United States Design Patent**
Ferreira et al.

(10) **Patent No.:** **US D635,348 S**

(45) **Date of Patent:** **** Apr. 5, 2011**

(54) **PORTION OF A SHOE UPPER**

(75) Inventors: **Chris Ferreira**, Hampton, NH (US);
Kenji Nakayama, Boston, MA (US);
Pamela Stauffer, Andover, MA (US)

(73) Assignee: **Converse Inc.**, North Andover, MA (US)

(**) Term: **14 Years**

(21) Appl. No.: **29/380,607**

(22) Filed: **Dec. 8, 2010**

(51) **LOC (9) Cl.** **02-99**

(52) **U.S. Cl.** **D2/972; D2/976**

(58) **Field of Classification Search** D2/896,
D2/902, 906-908, 943, 944, 969, 972-974,
D2/976; 36/45-49, 50.1, 77 M, 77 R, 83,
36/88, 100, 113, 114, 126-131

See application file for complete search history.

(56) **References Cited**

U.S. PATENT DOCUMENTS

D108,320 S	2/1938	Eldon	
D173,699 S	12/1954	Hosker	
D173,700 S	12/1954	Hosker	
2,751,691 A *	6/1956	Clark, Jr.	36/100
2,887,792 A *	5/1959	Staff	36/100
D200,846 S	4/1965	Bovay	
D242,401 S	11/1976	Wunsch	
D262,582 S	1/1982	Moore	
D273,244 S	4/1984	Norton et al.	
D292,941 S	12/1987	Kelley	
D292,944 S	12/1987	Kelley	
D434,547 S	12/2000	Kim	
6,769,204 B1 *	8/2004	Phillips	36/100
D510,473 S	10/2005	Burg	
D517,306 S *	3/2006	Hoelt	D2/972

D521,218 S	5/2006	Burg	
D555,333 S *	11/2007	Riebesell	D2/902
D574,581 S	8/2008	Cooper	
D595,937 S	7/2009	Morris	
D596,383 S	7/2009	Morris	
D613,043 S	4/2010	Walton	
D615,734 S *	5/2010	Di Nucci	D2/907
7,810,253 B2 *	10/2010	Bartee	36/100

* cited by examiner

Primary Examiner — Dominic Simone

(74) *Attorney, Agent, or Firm* — Plumsea Law Group, LLC

(57) **CLAIM**

The ornamental design for a portion of a shoe, as shown and described.

DESCRIPTION

FIG. 1A is a perspective view of a portion of a shoe upper illustrated with a toe cap insert in place showing our new design;

FIG. 1B is a perspective view thereof illustrated without a toe cap insert;

FIG. 1C is a perspective view thereof illustrated with a toe cap insert being slid into place;

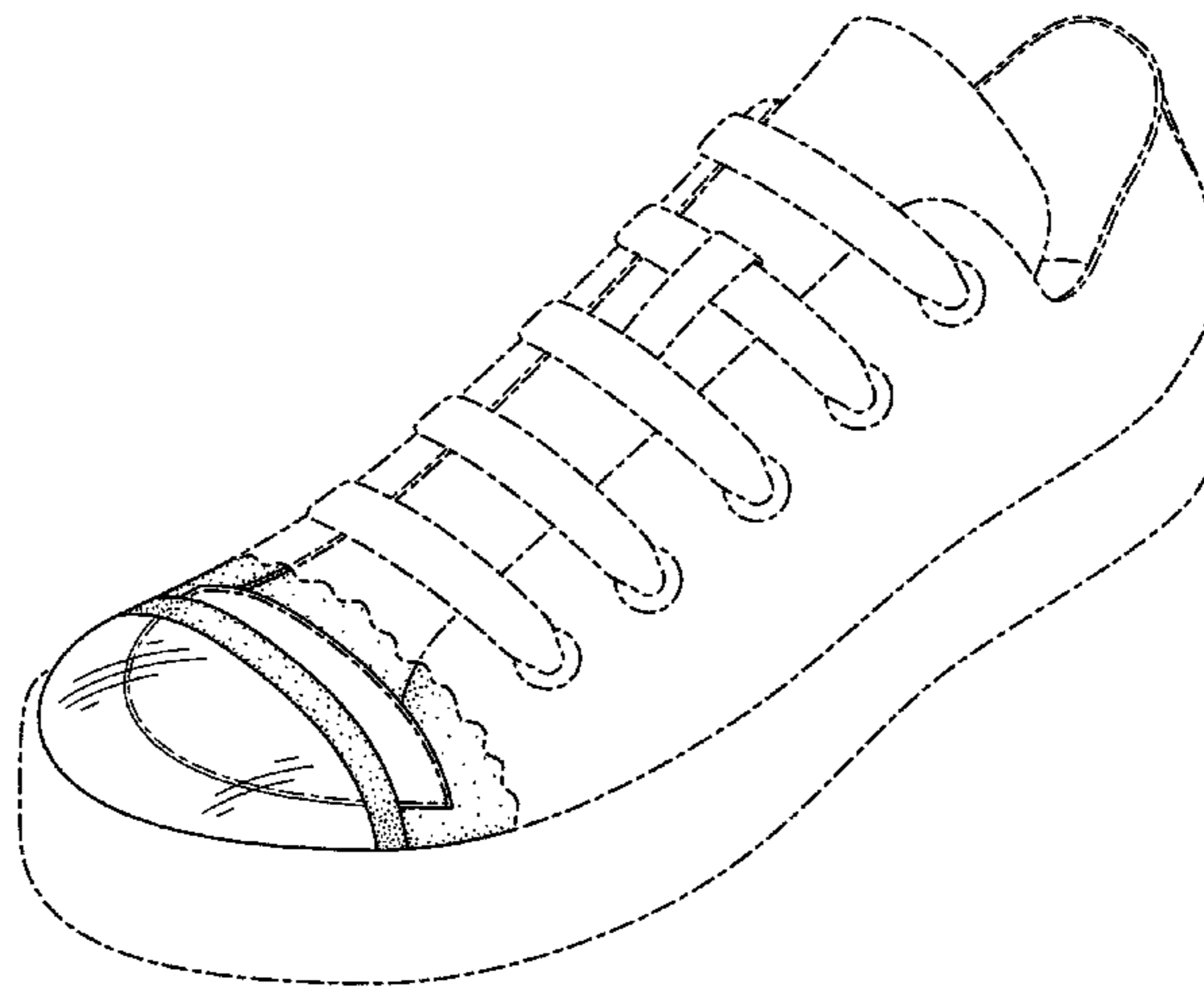
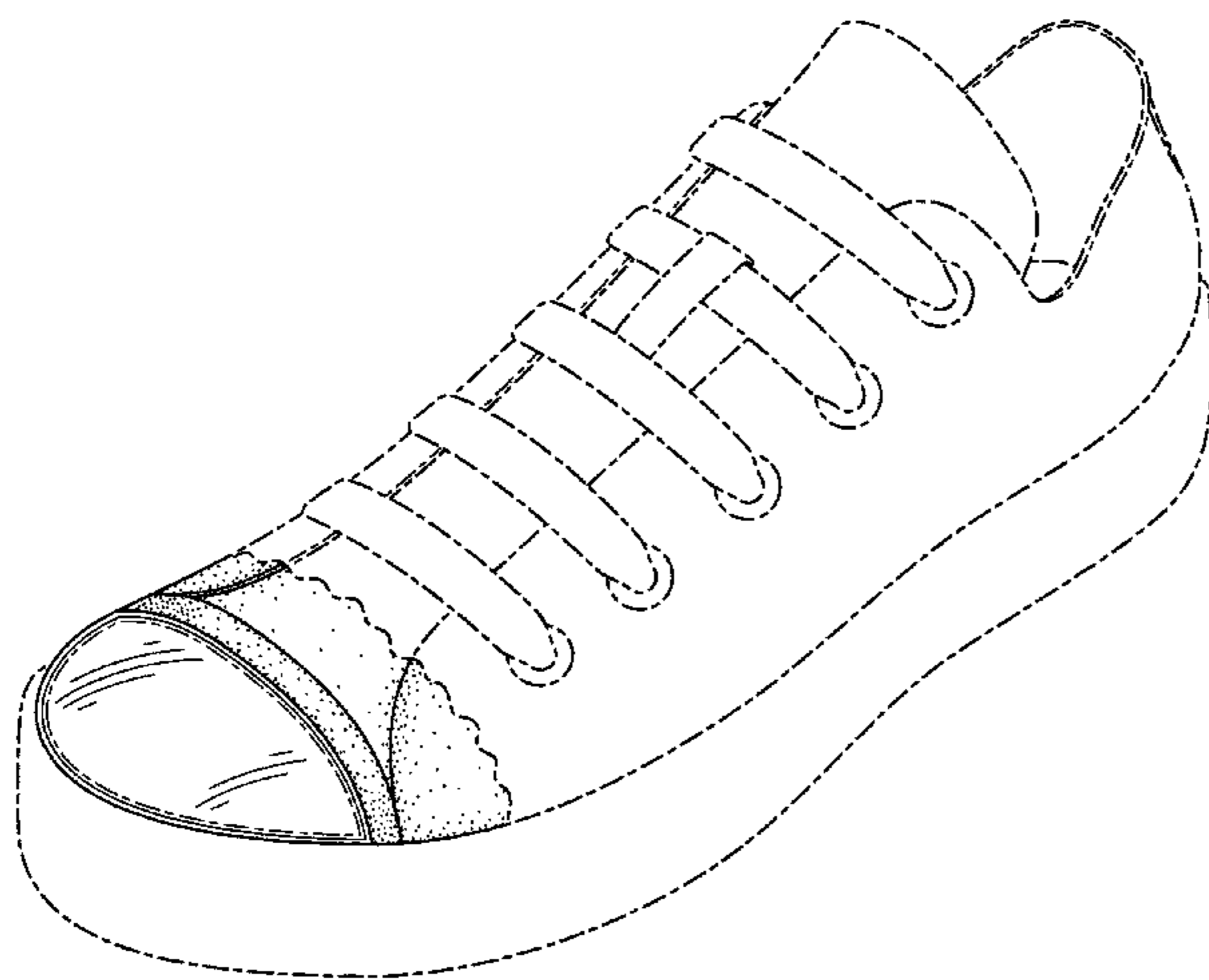
FIG. 2 is a side elevational view of the portion of a shoe upper shown in FIG. 1A, the opposite side elevational view being a mirror image thereof;

FIG. 3 is a front elevational view thereof; and,

FIG. 4 is a top plan view thereof.

The broken line showings of the boundary of the claim, and the remainder of the shoe form no part of the claimed design. The interior surface of the toe cap insert surrounded by the broken line showing also forms no part of the claimed design.

1 Claim, 6 Drawing Sheets



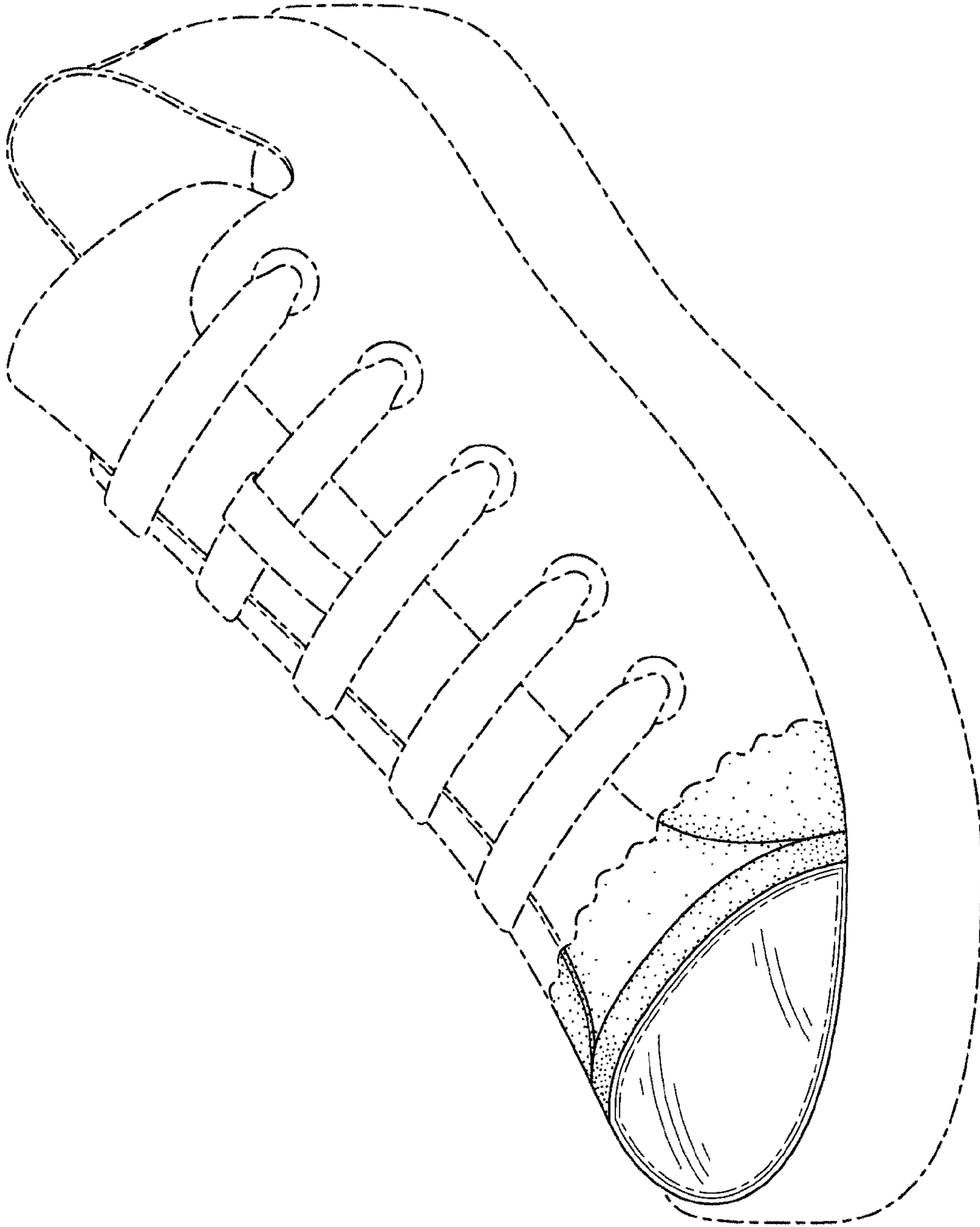


FIG. 1A

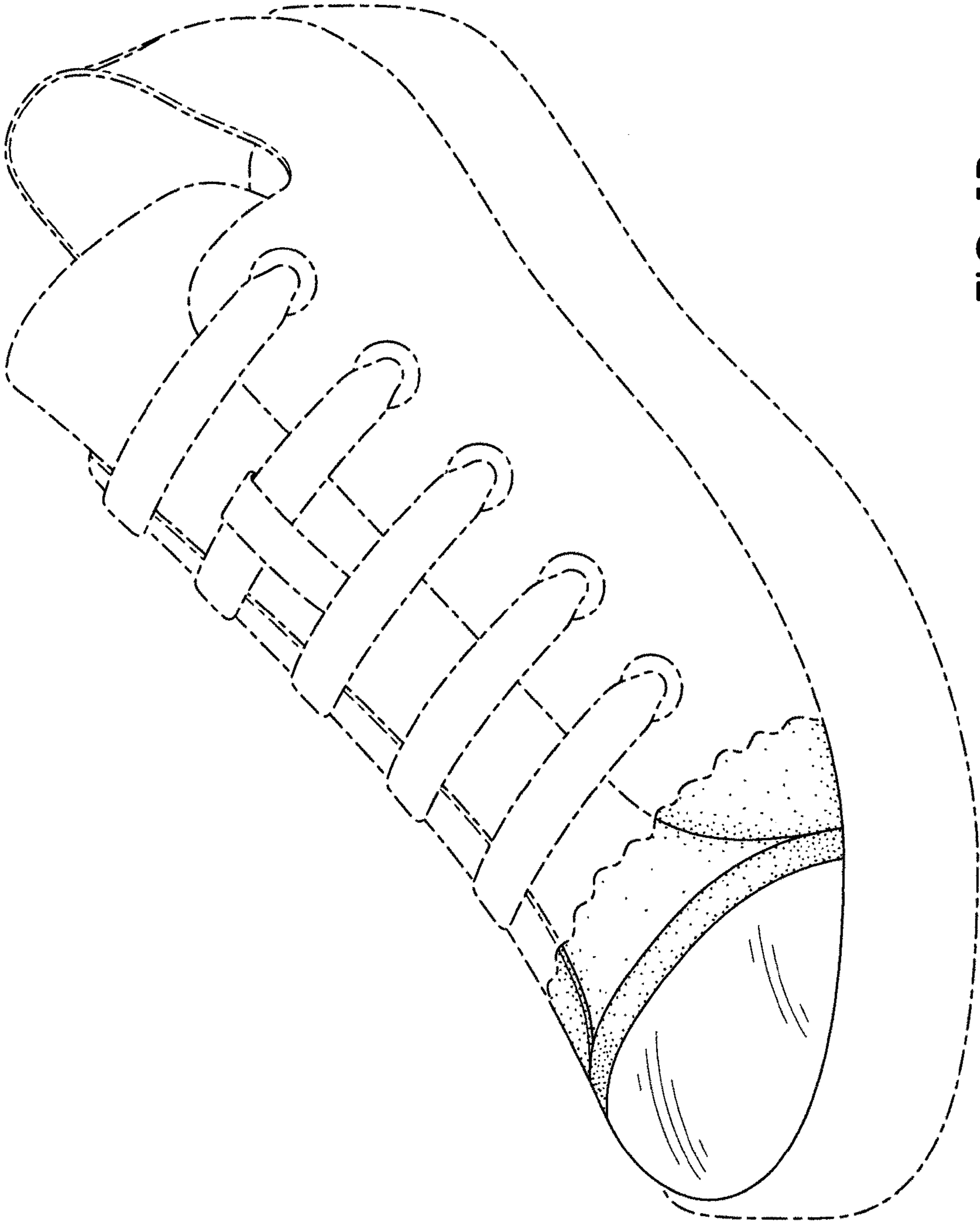


FIG. 1B

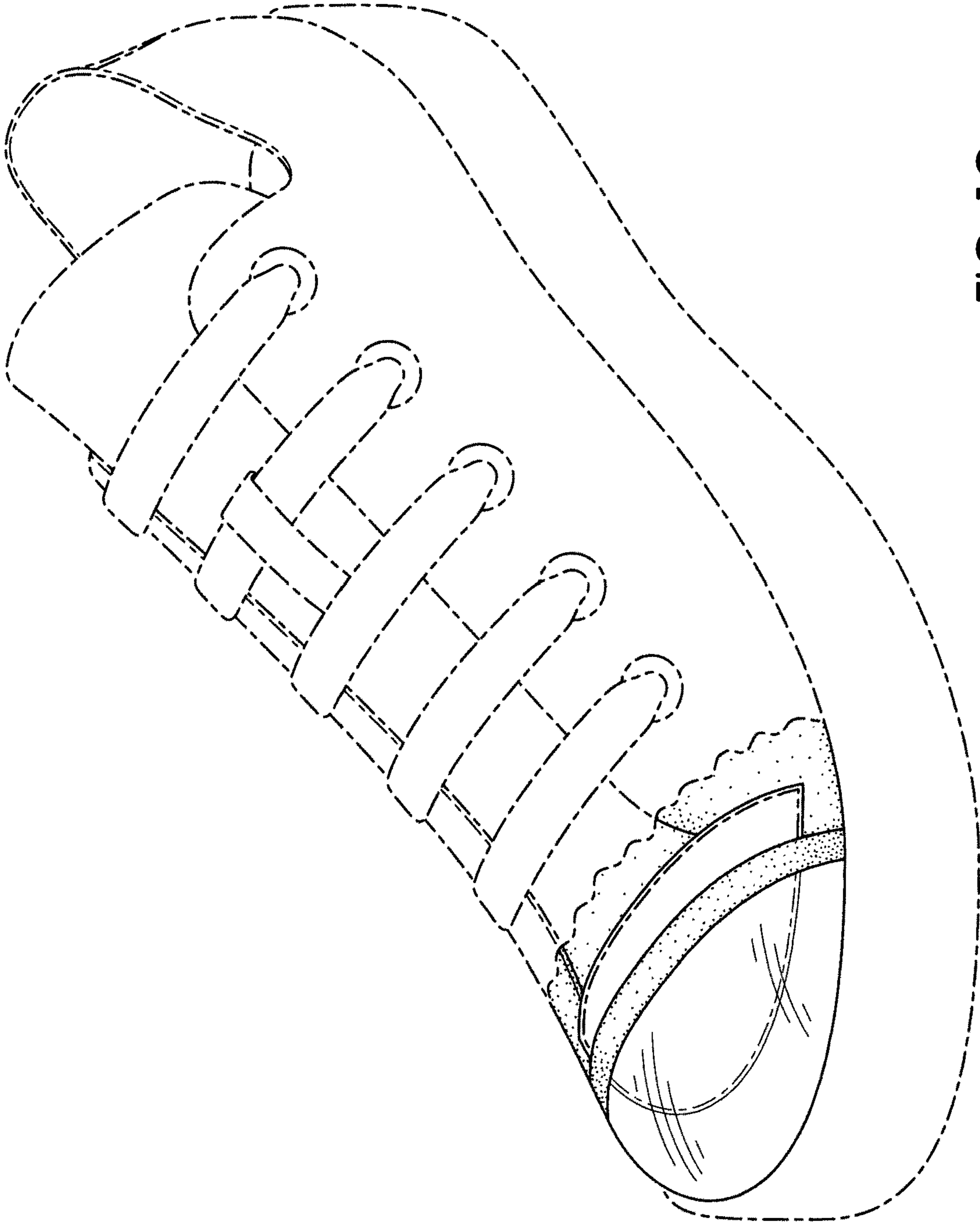


FIG. 1C

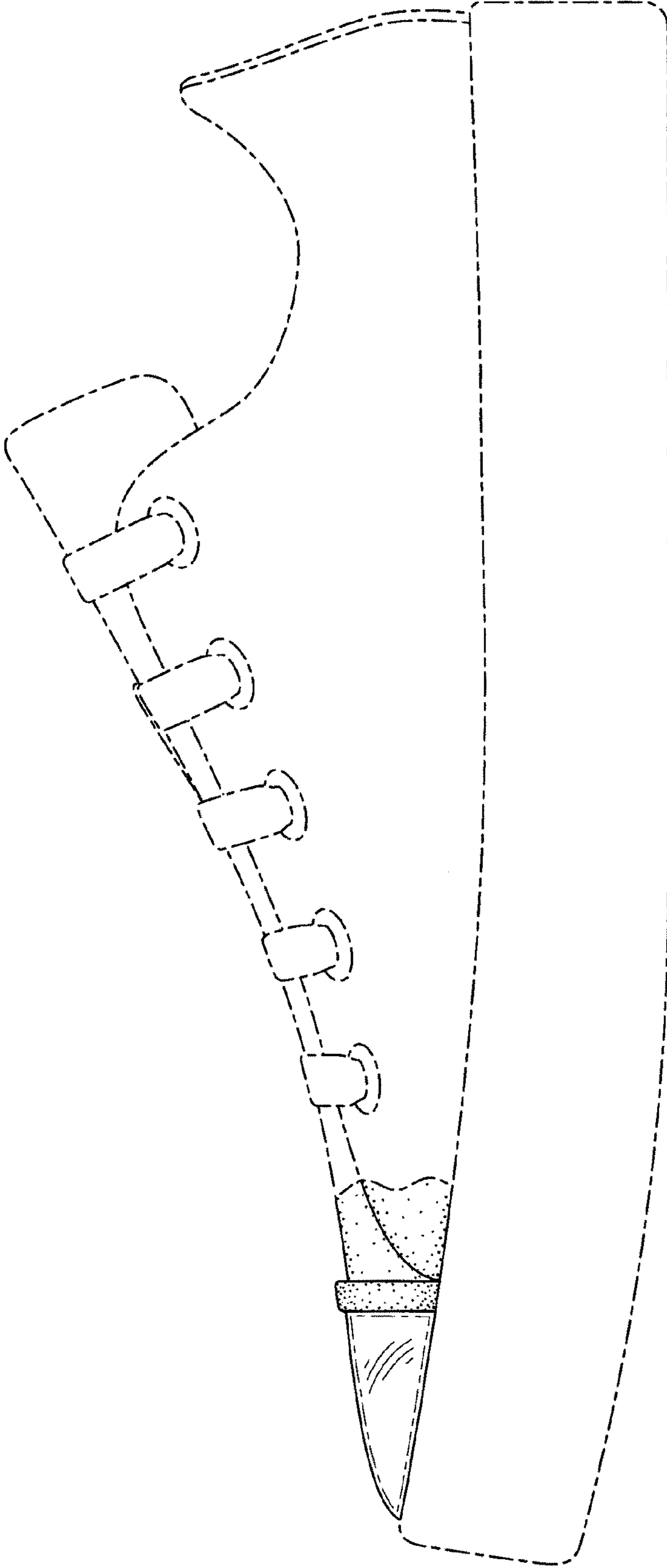


FIG. 2

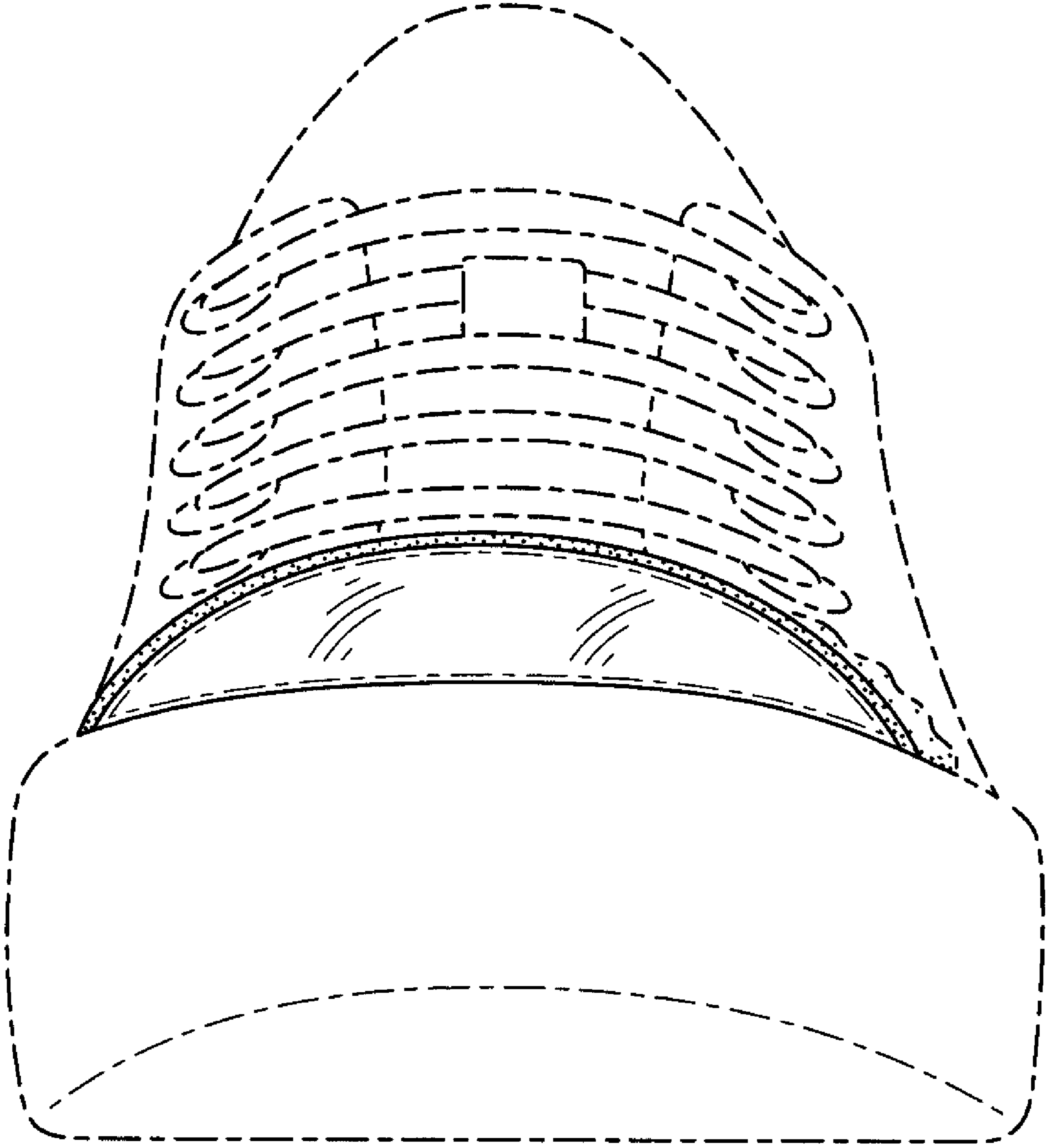


FIG. 3

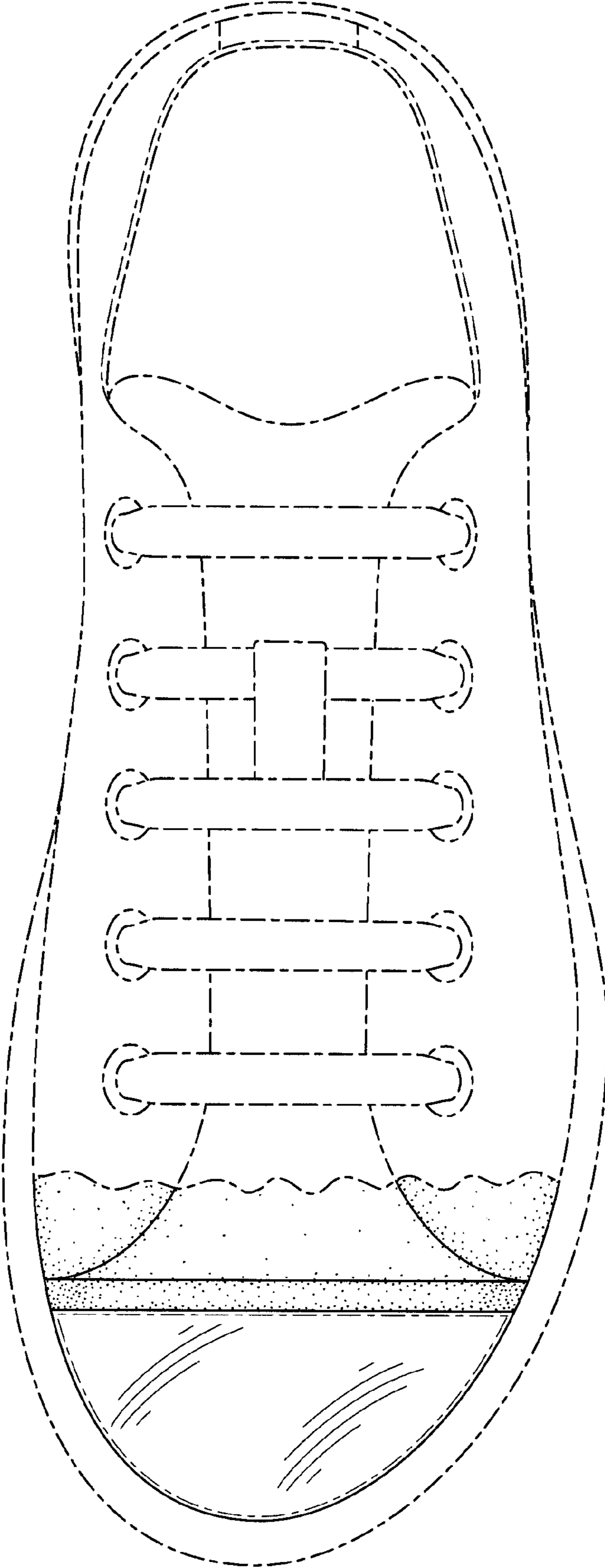


FIG. 4