



US00D635347S

(12) **United States Design Patent**
Castellon

(10) **Patent No.:** **US D635,347 S**

(45) **Date of Patent:** **** Apr. 5, 2011**

(54) **FOOTWEAR**

(75) Inventor: **Michael Castellon**, Portland, OR (US)

(73) Assignee: **Columbia Sportswear North America, Inc.**, Portland, OR (US)

(**) Term: **14 Years**

(21) Appl. No.: **29/377,514**

(22) Filed: **Oct. 21, 2010**

(51) **LOC (9) Cl.** **02-99**

(52) **U.S. Cl.** **D2/970; D2/911**

(58) **Field of Classification Search** D2/896,
D2/900, 909-911, 920, 943, 946, 969, 970,
D2/974; 36/83, 1.5, 2 R, 109, 3 A, 7.1 R,
36/45, 52, 112, 100

See application file for complete search history.

(56) **References Cited**

U.S. PATENT DOCUMENTS

D385,991 S *	11/1997	Brooks et al.	D2/970
D420,212 S *	2/2000	Duclos et al.	D2/970
D422,783 S *	4/2000	Brooks et al.	D2/970
D440,387 S *	4/2001	Matis et al.	D2/970
D445,244 S *	7/2001	Duclos	D2/970

D455,893 S *	4/2002	Pradhuman	D2/912
D524,523 S *	7/2006	Le	D2/970
D556,995 S *	12/2007	Weisbly	D2/970

* cited by examiner

Primary Examiner — Robert M Spear

Assistant Examiner — Rashida C McCoy

(74) *Attorney, Agent, or Firm* — Schwabe, Williamson & Wyatt, P.C.

(57) **CLAIM**

I claim an ornamental design for footwear, as shown and described.

DESCRIPTION

FIG. 1 is a perspective view of footwear, showing my new design;

FIG. 2 is a right side view of the footwear illustrated in FIG. 1;

FIG. 3 is a left side view of the footwear illustrated in FIG. 1;

FIG. 4 is a front view of the footwear illustrated in FIG. 1;

FIG. 5 is a back view of the footwear illustrated in FIG. 1;

FIG. 6 is a bottom view of the footwear illustrated in FIG. 1; and,

FIG. 7 is a top view of the footwear illustrated in FIG. 1.

The small dash lines are included for the purpose of illustrating environmental structure and form no part of the claimed design.

1 Claim, 4 Drawing Sheets



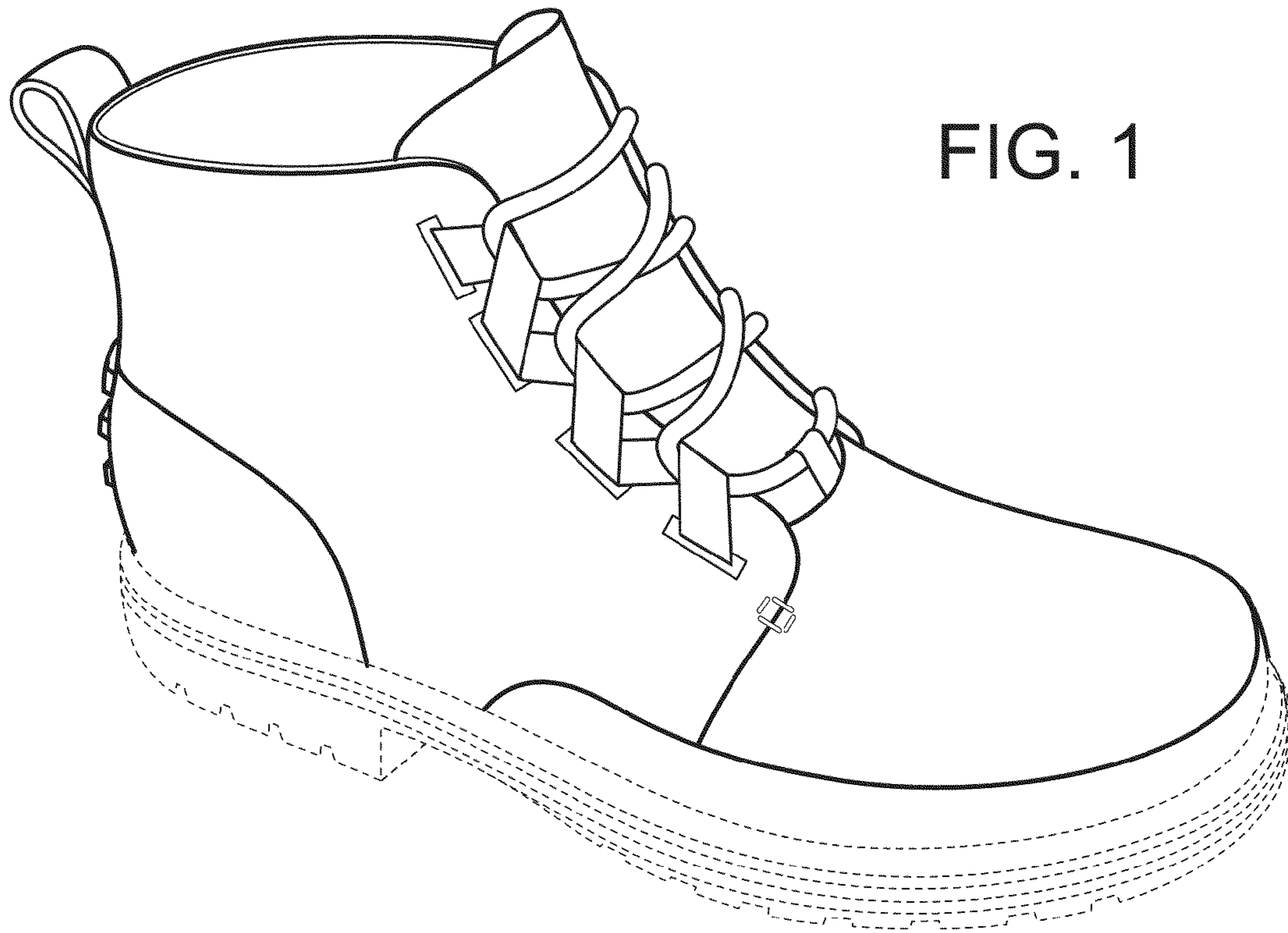


FIG. 1

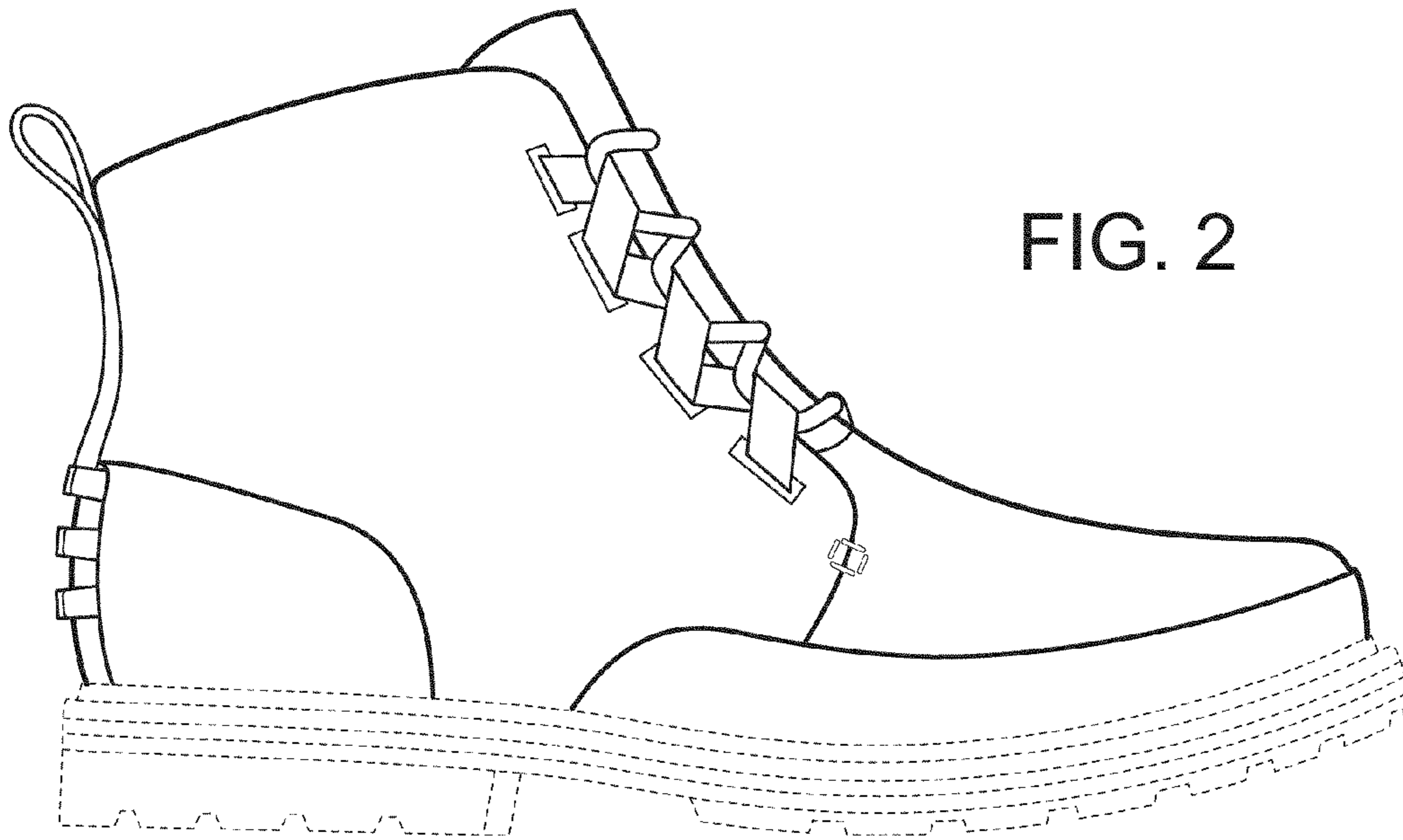


FIG. 4

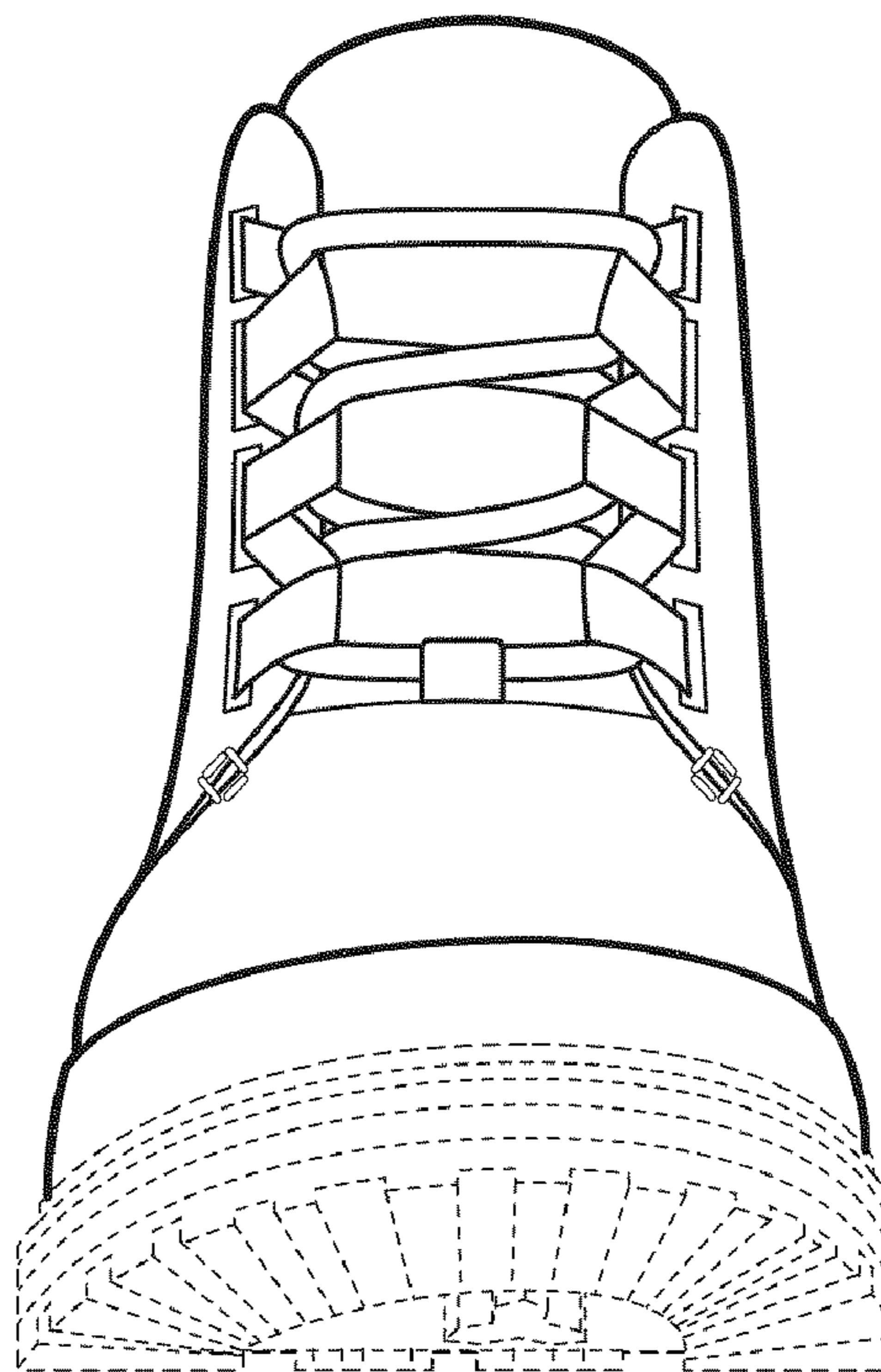


FIG. 5

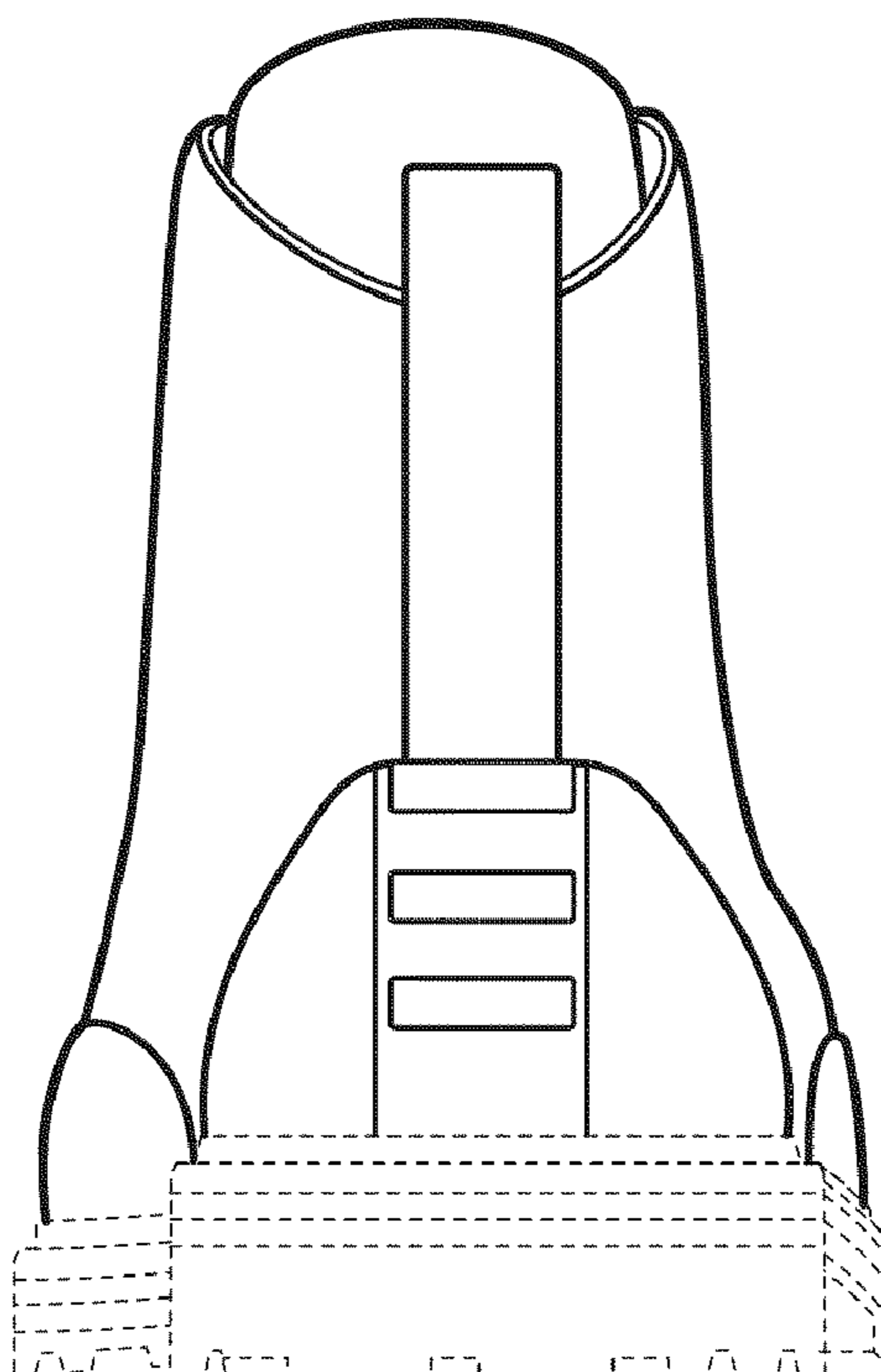


FIG. 6

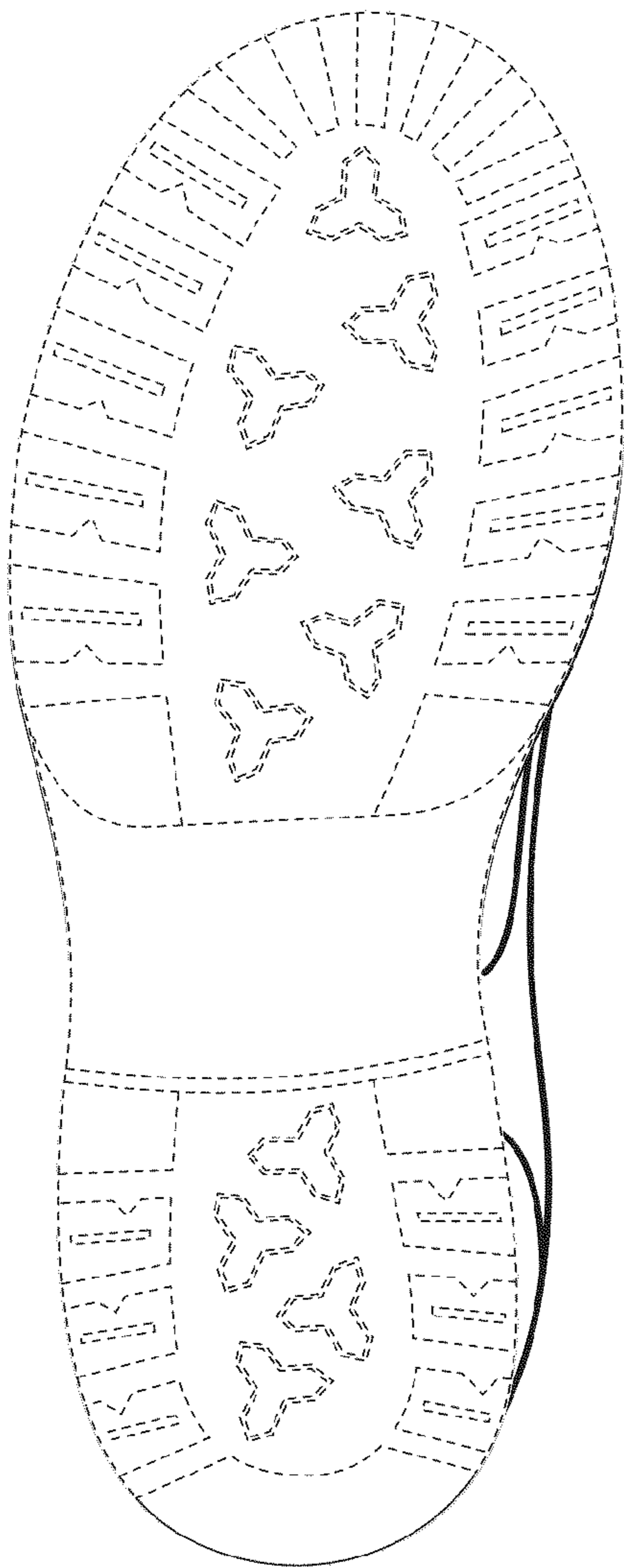


FIG. 7

