



US00D635340S

(12) **United States Design Patent**
Blakeslee

(10) **Patent No.:** **US D635,340 S**

(45) **Date of Patent:** **** Apr. 5, 2011**

(54) **FOOTWEAR**

(75) Inventor: **Carl Blakeslee**, Portland, OR (US)

(73) Assignee: **Sorel Corporation**, Portland, OR (US)

(**) Term: **14 Years**

(21) Appl. No.: **29/379,150**

(22) Filed: **Nov. 15, 2010**

Related U.S. Application Data

(62) Division of application No. 29/361,647, filed on May 13, 2010, now Pat. No. Des. 629,186.

(51) **LOC (9) Cl.** **02-99**

(52) **U.S. Cl.** **D2/946; D2/923**

(58) **Field of Classification Search** D2/896,
D2/902, 906-908, 923, 943, 944, 946, 969,
D2/970, 972-974; 36/45, 50.1, 83, 113,
36/114, 125-134, 77 R, 77 M, 88
See application file for complete search history.

(56) **References Cited**

U.S. PATENT DOCUMENTS

2,708,930	A *	5/1955	Lowman	602/27
RE32,585	E *	2/1988	Antonious	36/50.1
4,766,682	A *	8/1988	Malloy, III	36/132
D328,517	S *	8/1992	Hallenbeck	D2/978
D330,451	S *	10/1992	Hatfield	D2/970
D385,102	S *	10/1997	Avar	D2/972
D388,244	S *	12/1997	Serna	D2/972

D398,769	S *	9/1998	Avar	D2/972
6,601,323	B2 *	8/2003	Tsujino et al.	36/136
D524,023	S *	7/2006	Avar	D2/972
7,082,703	B2 *	8/2006	Greene et al.	36/89
D527,886	S *	9/2006	Morris	D2/972
D548,442	S *	8/2007	Hulbert	D2/969
D552,834	S *	10/2007	Hannah	D2/946
D553,839	S *	10/2007	Tapolcai et al.	D2/969
D560,893	S *	2/2008	Belley et al.	D2/969
D561,448	S *	2/2008	Hickman	D2/969
D598,188	S *	8/2009	Walton	D2/969

* cited by examiner

Primary Examiner — Robert M Spear

Assistant Examiner — Rashida C McCoy

(74) *Attorney, Agent, or Firm* — Schwabe, Williamson & Wyatt, P.C.

(57) **CLAIM**

The ornamental design for footwear, as shown and described.

DESCRIPTION

FIG. 1 is a right side view of footwear, showing my design; FIG. 2 is a left side view thereof; FIG. 3 is a bottom view thereof; FIG. 4 is a top view thereof; FIG. 5 is a front view thereof; and, FIG. 6 is a rear view thereof.

The large broken lines indicate claimed stitching; the small broken lines indicate unclaimed environment and form no part of the claimed design.

1 Claim, 3 Drawing Sheets

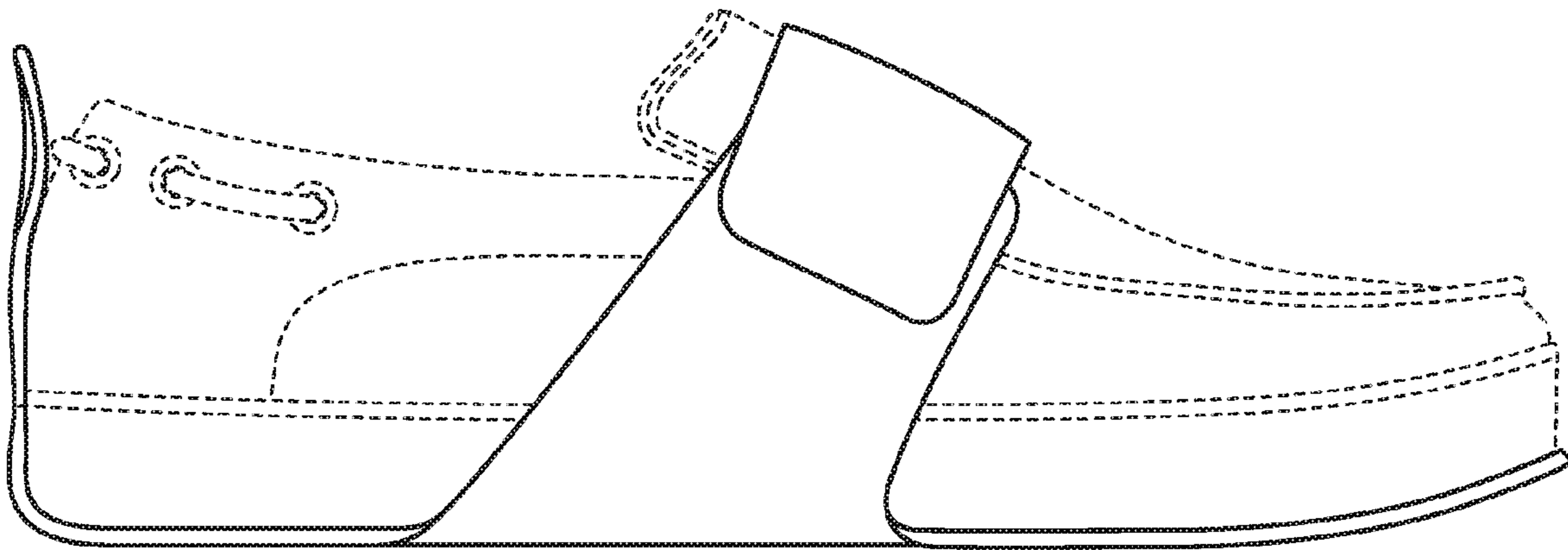


FIG. 1

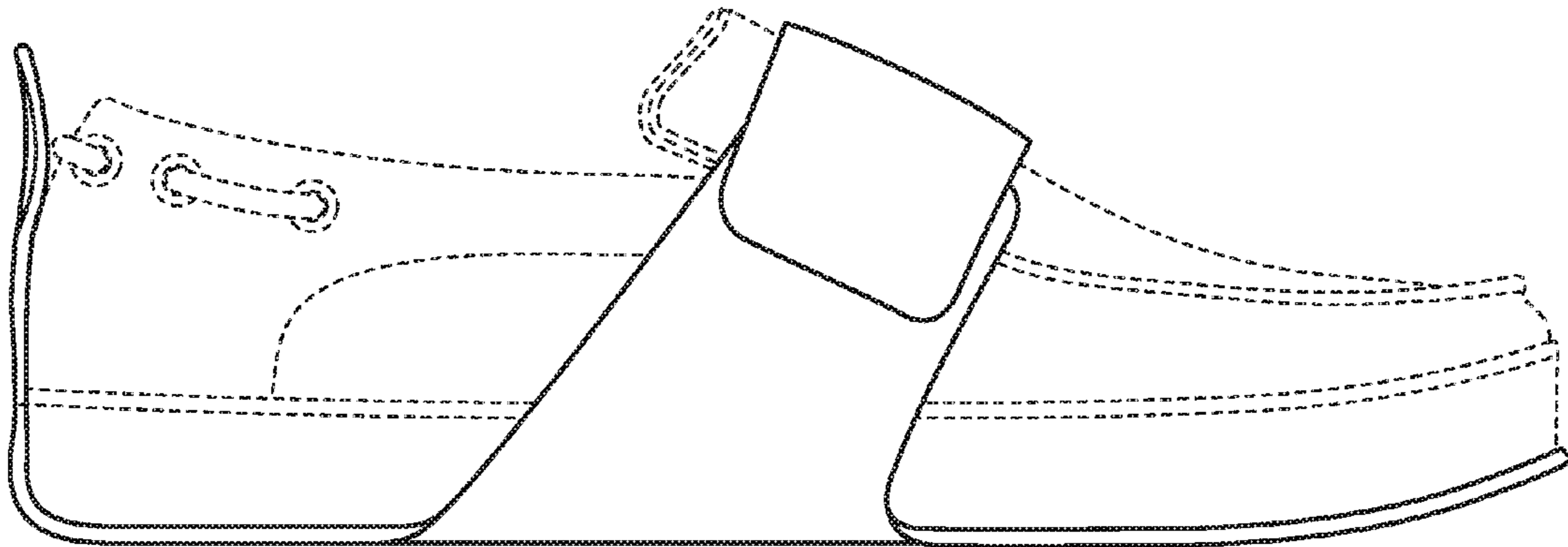


FIG. 2

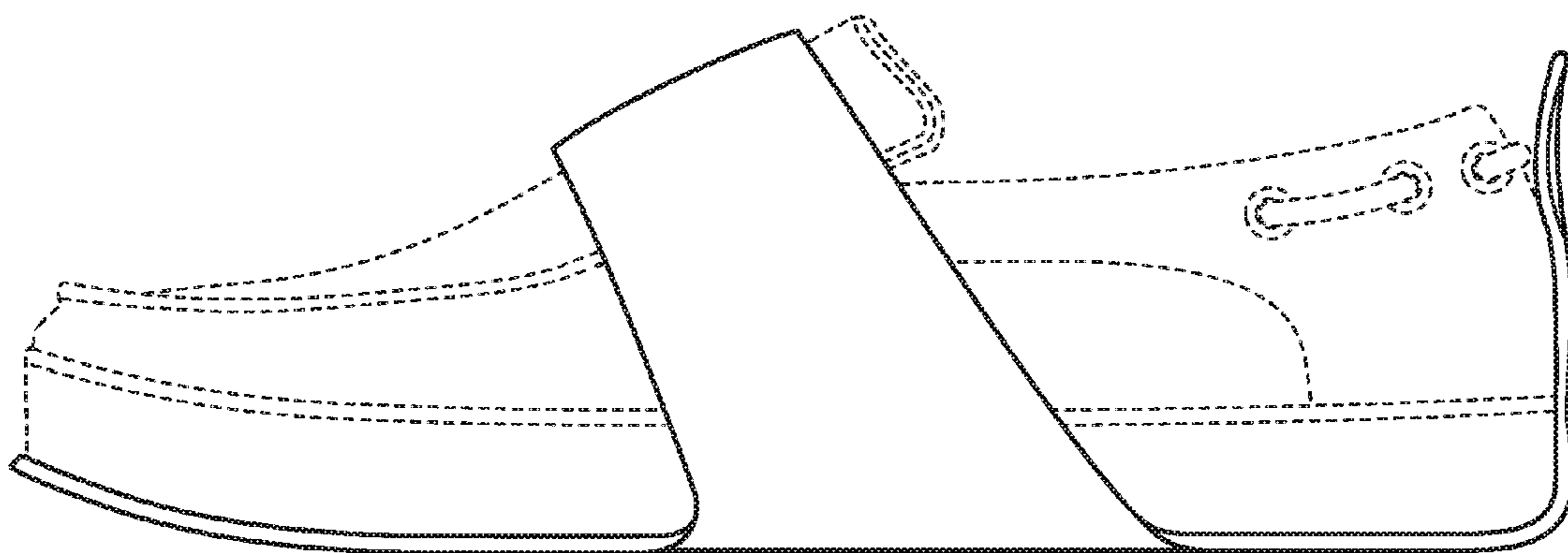


FIG. 3

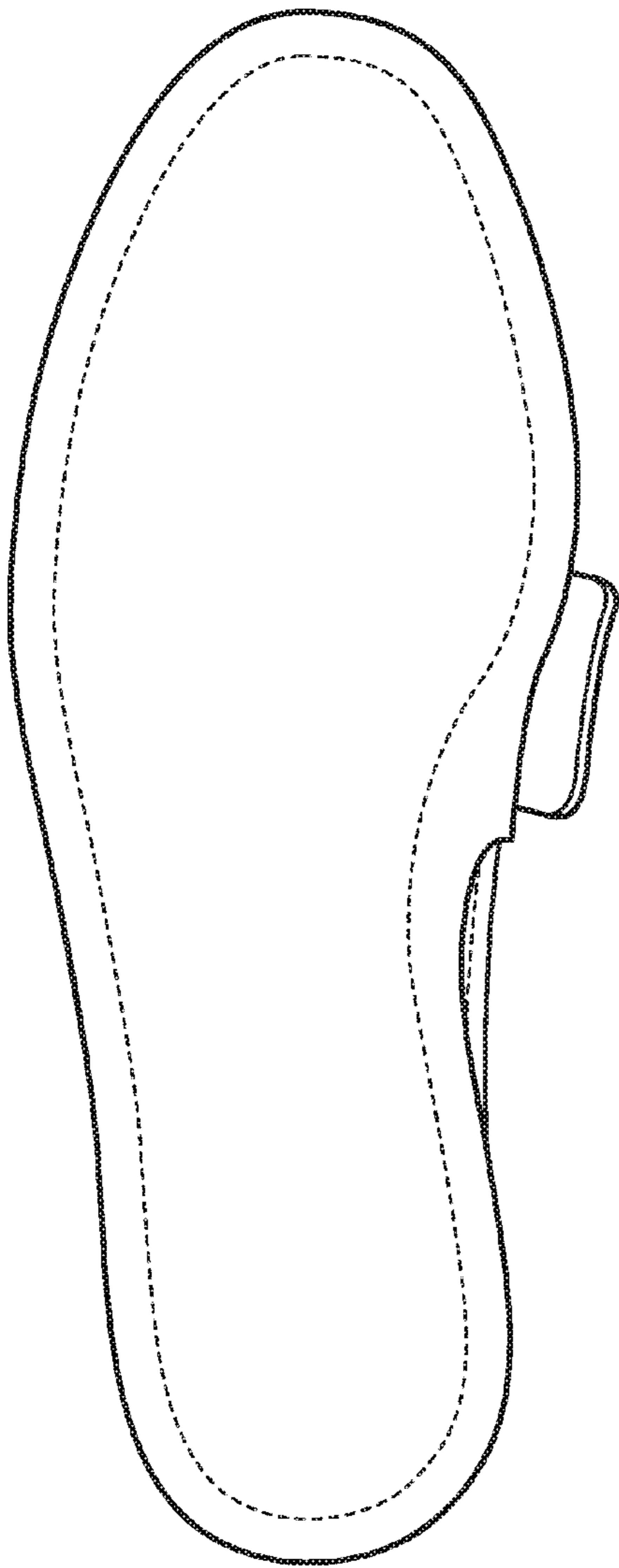


FIG. 4

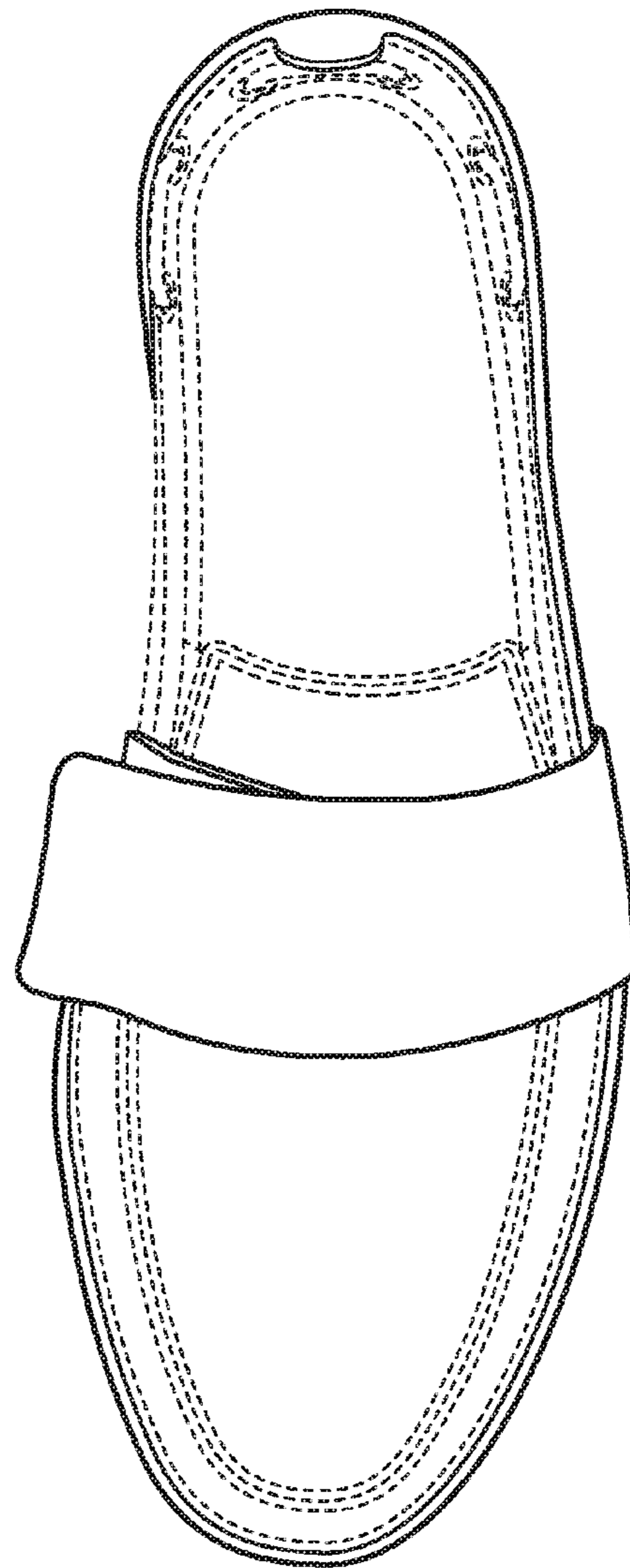


FIG. 5

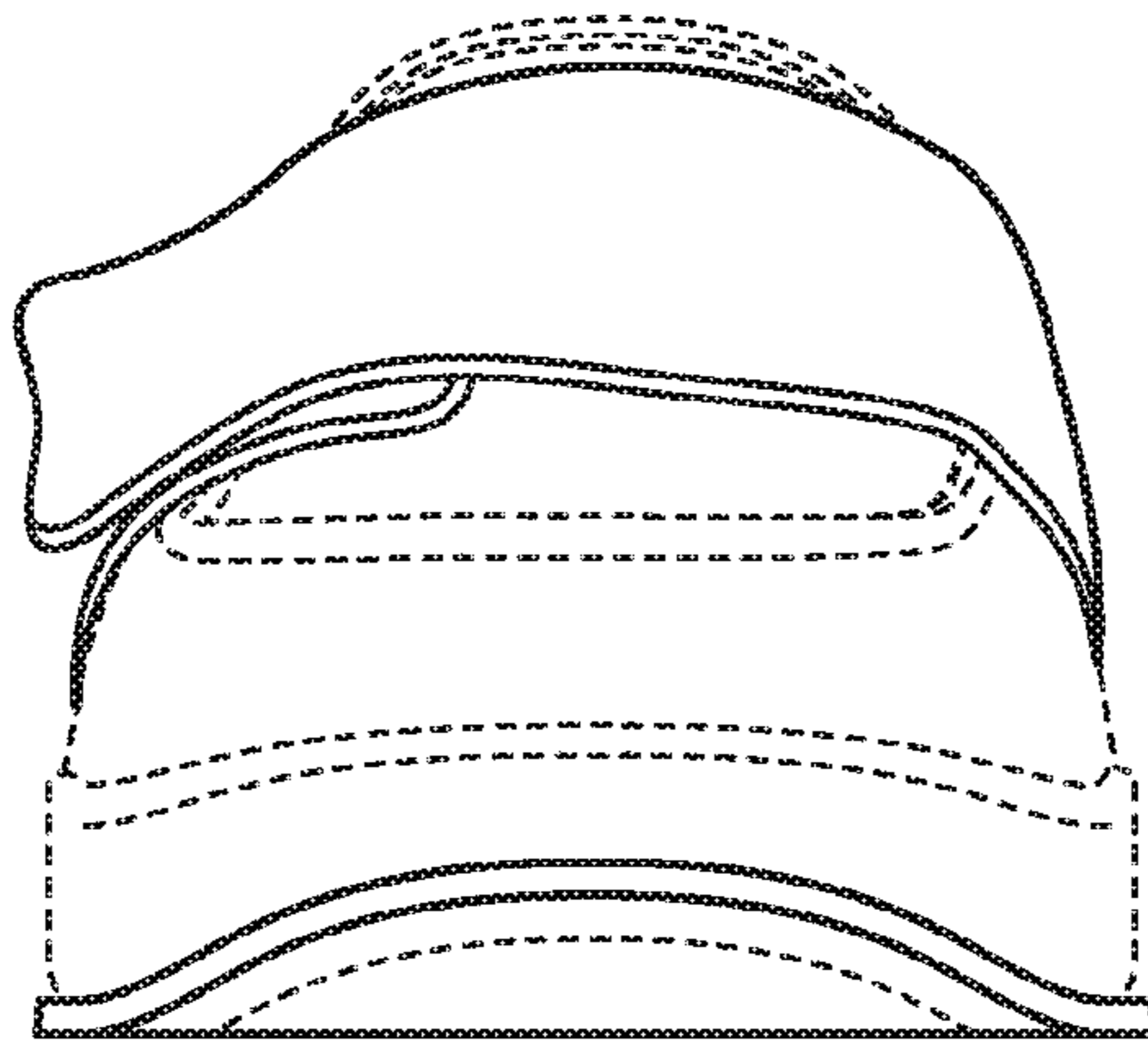


FIG. 6

