



US00D635338S

(12) **United States Design Patent**
Favreau et al.

(10) **Patent No.:** **US D635,338 S**

(45) **Date of Patent:** **** Apr. 5, 2011**

(54) **LUG FOR FOOTWEAR SOLE**

(75) Inventors: **Christopher D. Favreau**, Southbridge, MA (US); **Linda B. McGinley**, North Brookfield, MA (US); **Zenon Smotrycz**, Reading, MA (US)

(73) Assignee: **Vibram S.p.A.** (IT)

(**) Term: **14 Years**

(21) Appl. No.: **29/351,154**

(22) Filed: **Dec. 1, 2009**

(51) **LOC (9) Cl.** **02-04**

(52) **U.S. Cl.** **D2/946; D2/962**

(58) **Field of Classification Search** D2/902, D2/907, 946, 976, 977; 36/136
See application file for complete search history.

(56) **References Cited**

U.S. PATENT DOCUMENTS

2,878,593	A *	3/1959	Lockridge	36/169
D280,950	S *	10/1985	Austin et al.	D2/957
D281,032	S *	10/1985	Austin	D2/957
D331,832	S *	12/1992	Issler	D2/952
D447,855	S *	9/2001	Bramani	D2/957

D504,756	S *	5/2005	Adams et al.	D2/952
D509,347	S *	9/2005	Horton	D2/962
D529,692	S *	10/2006	Marvin	D2/954
D575,487	S *	8/2008	Carruthers	D2/962
D591,035	S *	4/2009	Belley et al.	D2/952
D597,735	S *	8/2009	Norton	D2/957

* cited by examiner

Primary Examiner — Stella M Reid

Assistant Examiner — Keli L Hill

(74) *Attorney, Agent, or Firm* — Cantor Colburn LLP

(57) **CLAIM**

We claim, the ornamental design for a lug for footwear sole, as shown and described.

DESCRIPTION

FIG. 1 is a perspective view of a lug for footwear sole, showing our new design;

FIG. 2 is a top plan view thereof;

FIG. 3 is a bottom plan view thereof;

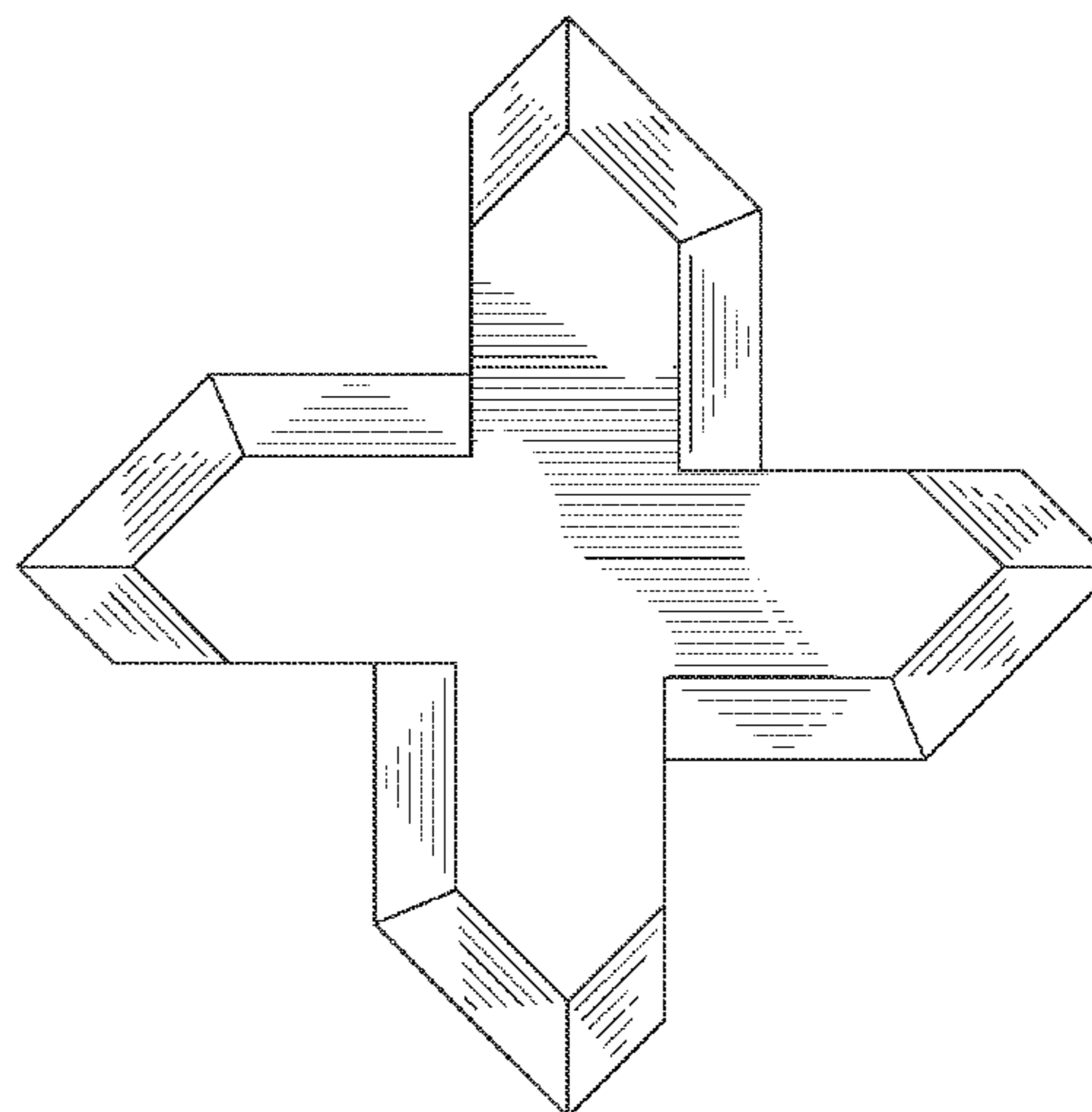
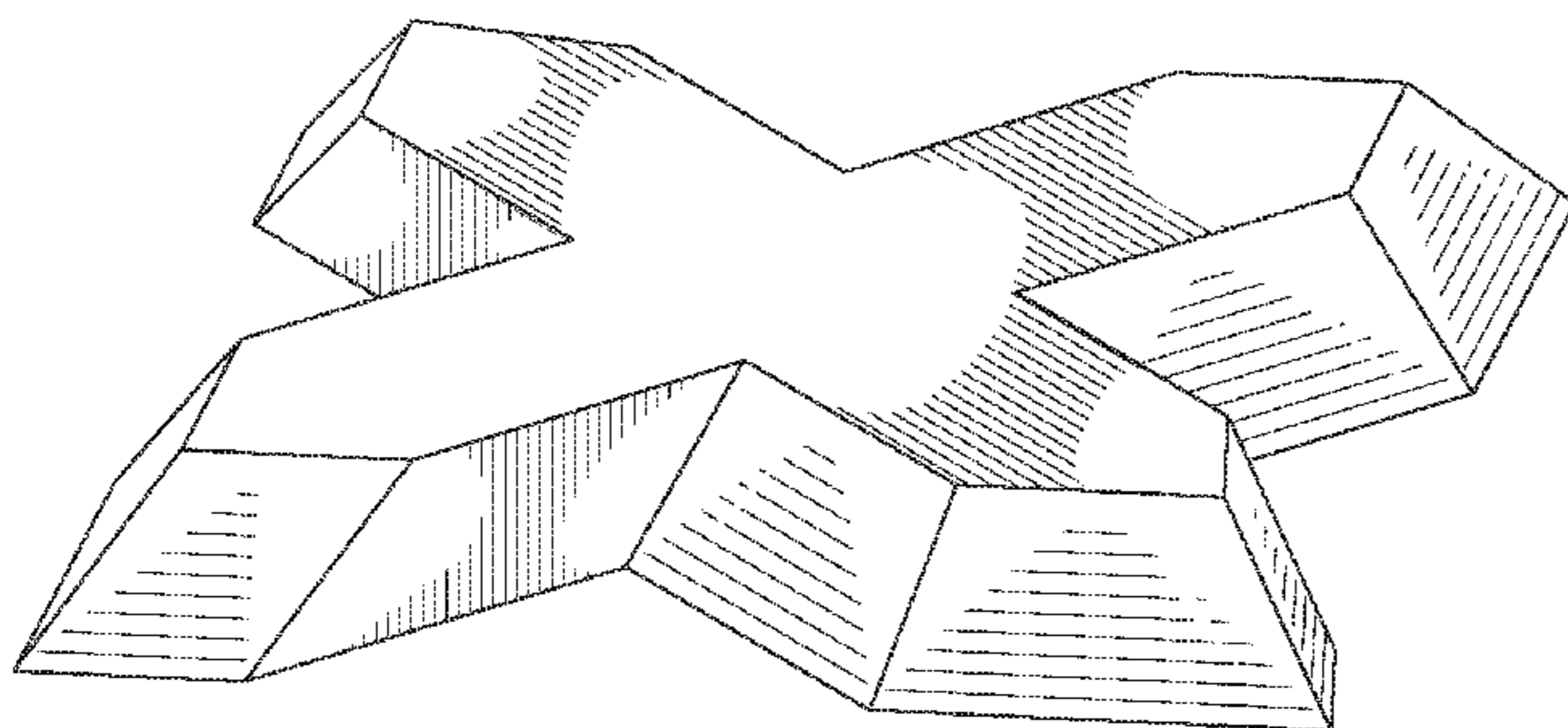
FIG. 4 is a front view thereof;

FIG. 5 is a rear view thereof;

FIG. 6 is a left side view thereof; and,

FIG. 7 is a right side view thereof.

1 Claim, 3 Drawing Sheets



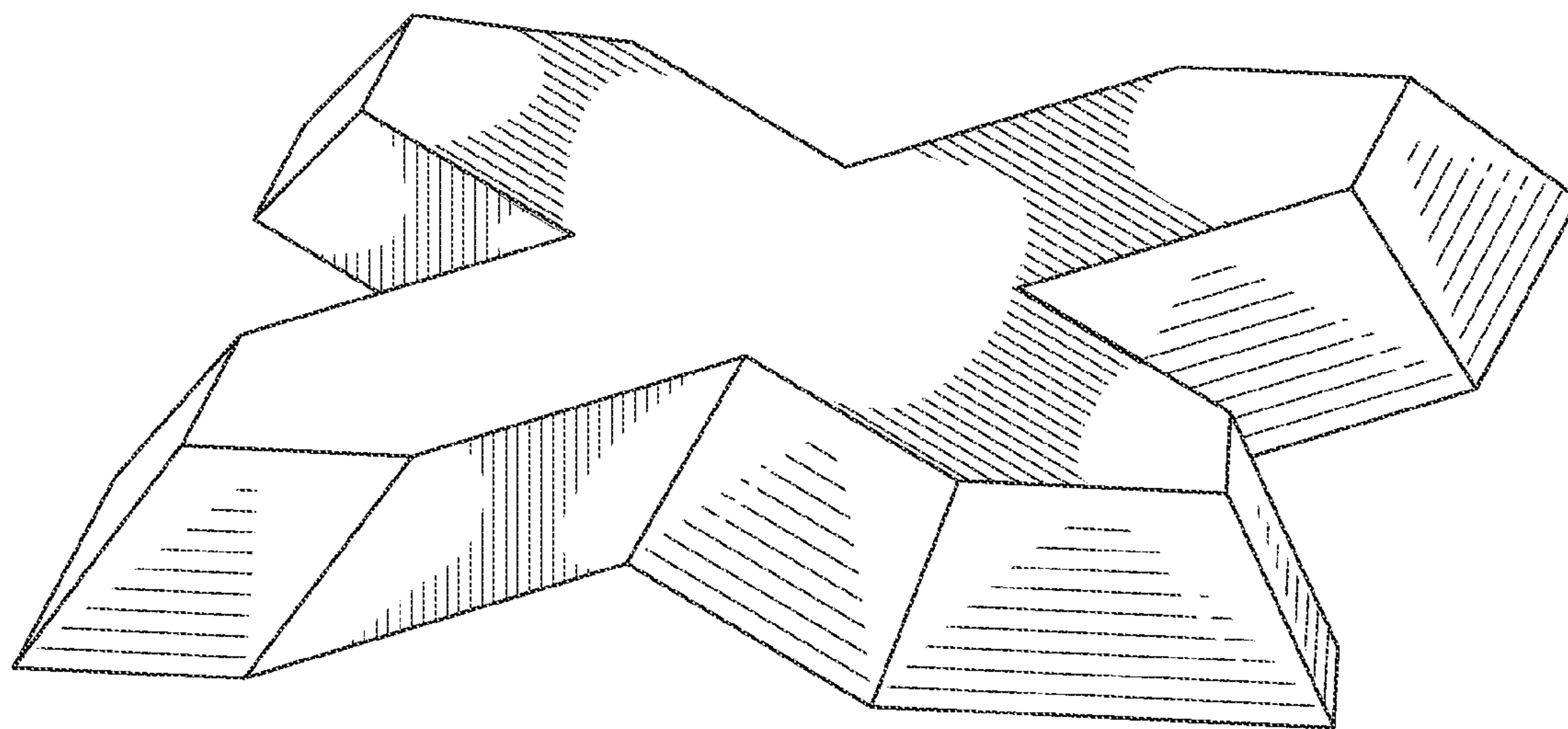


FIG. 1

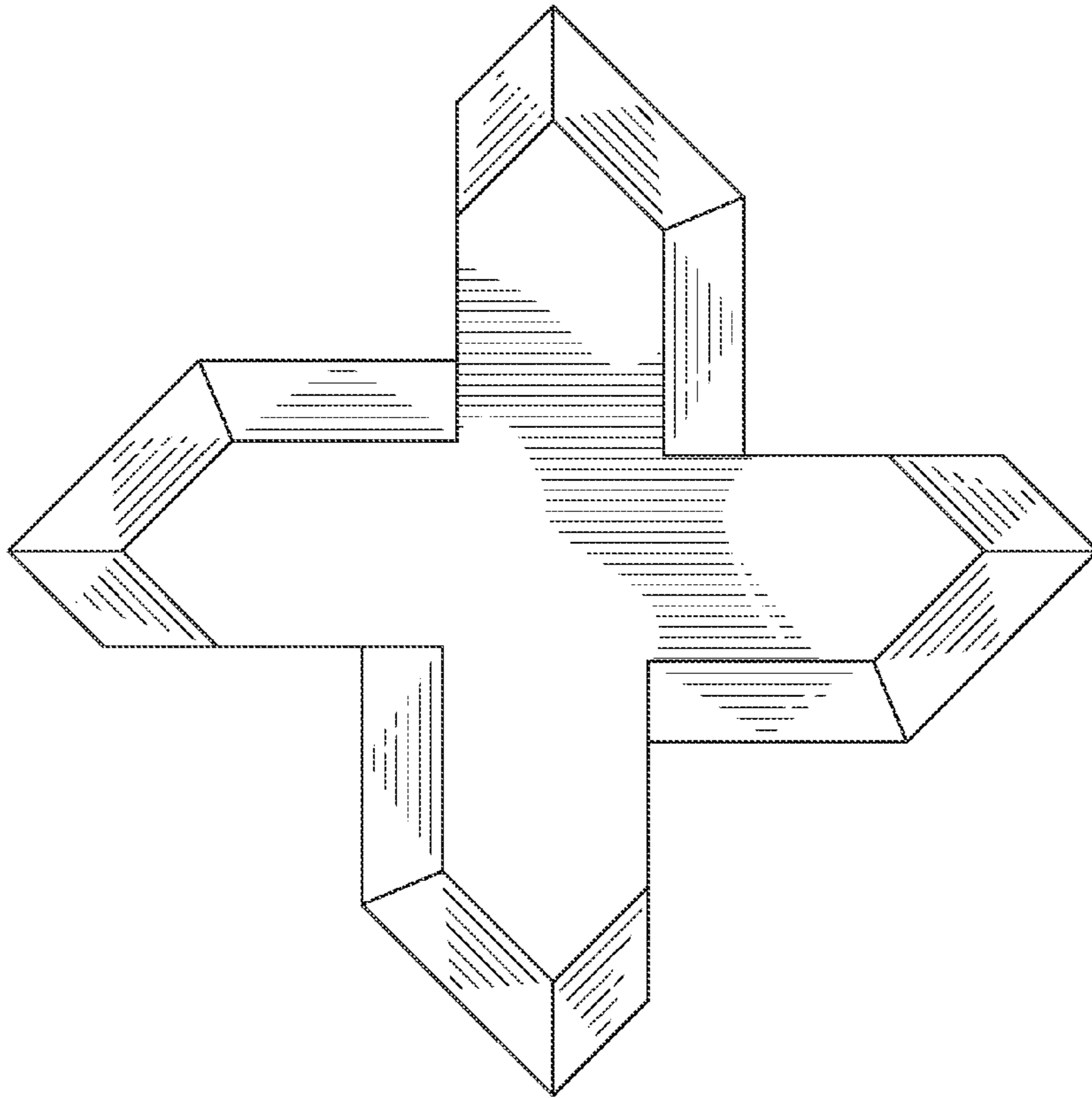


FIG. 2

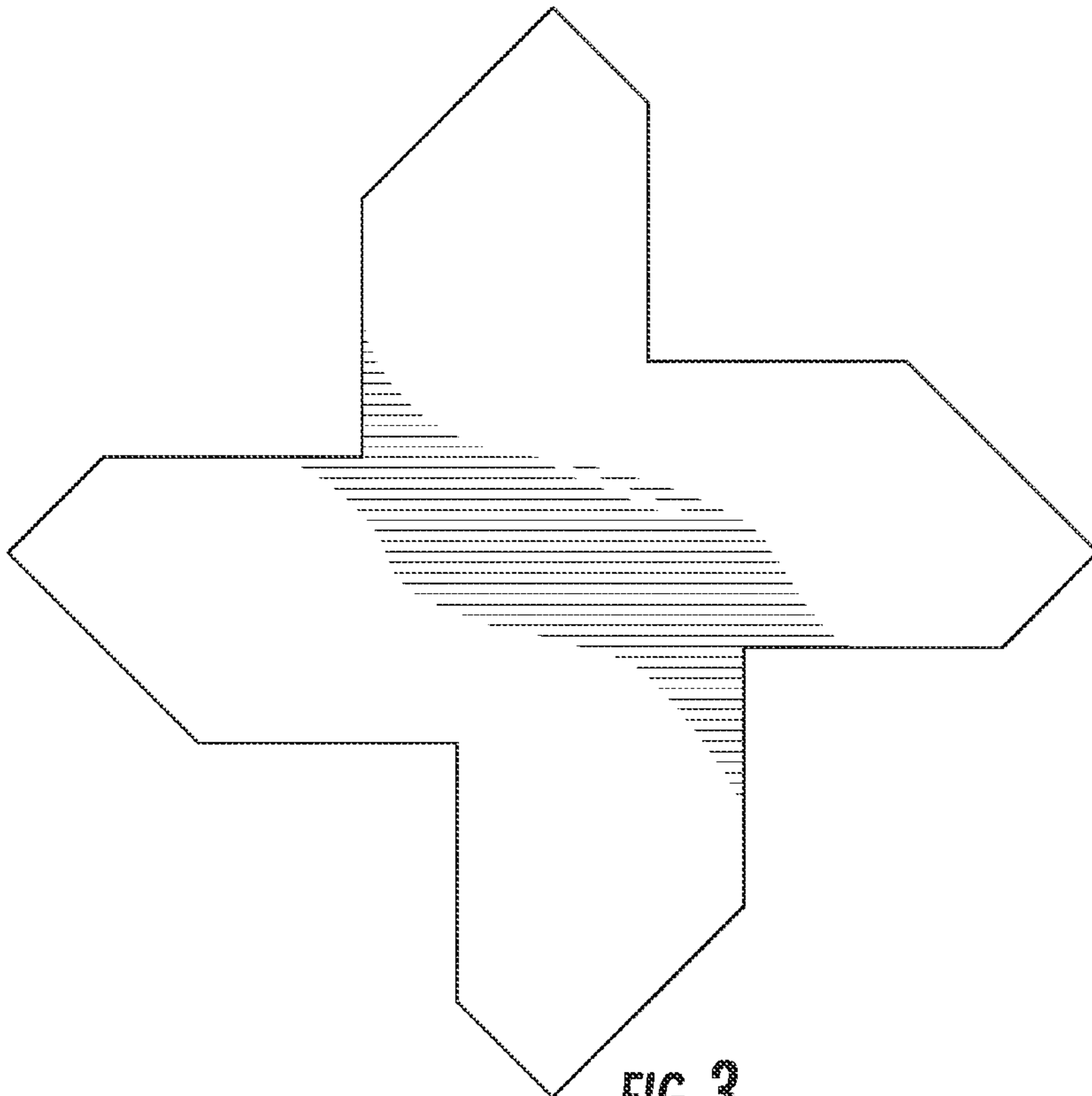


FIG. 3

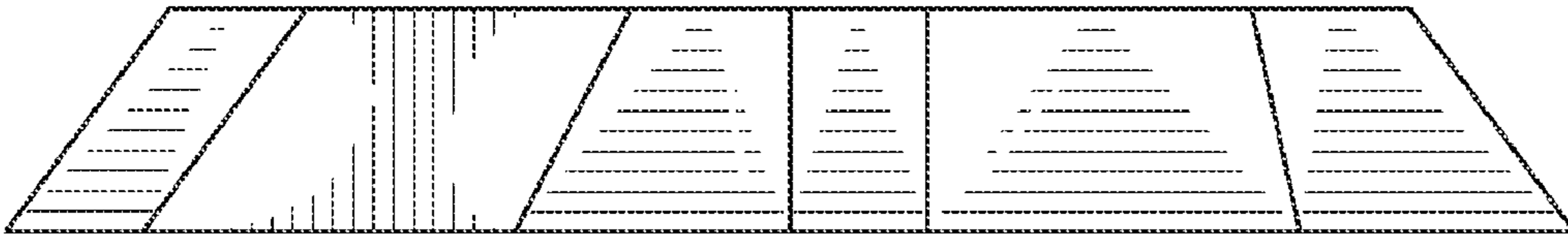


FIG. 4

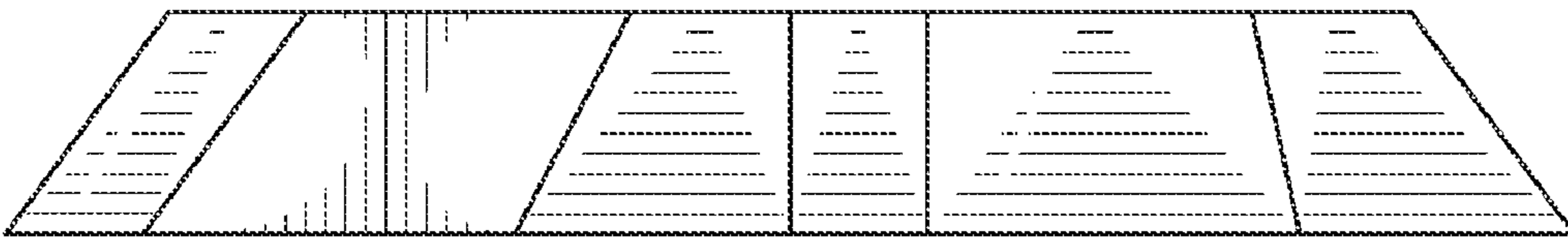


FIG. 5

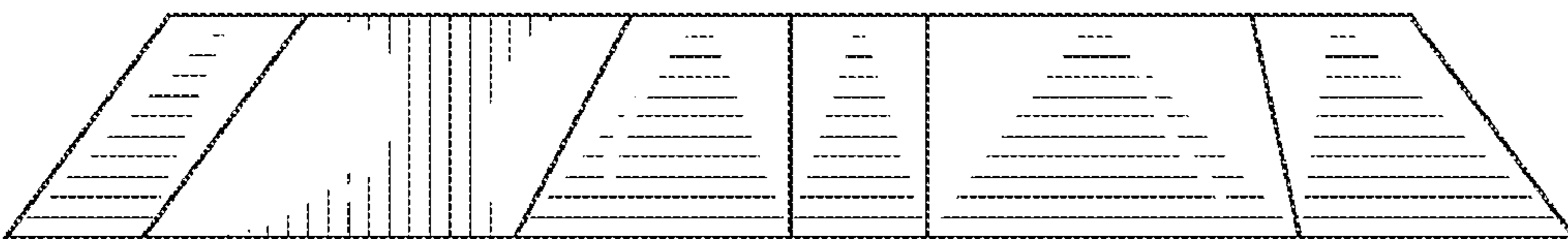


FIG. 6

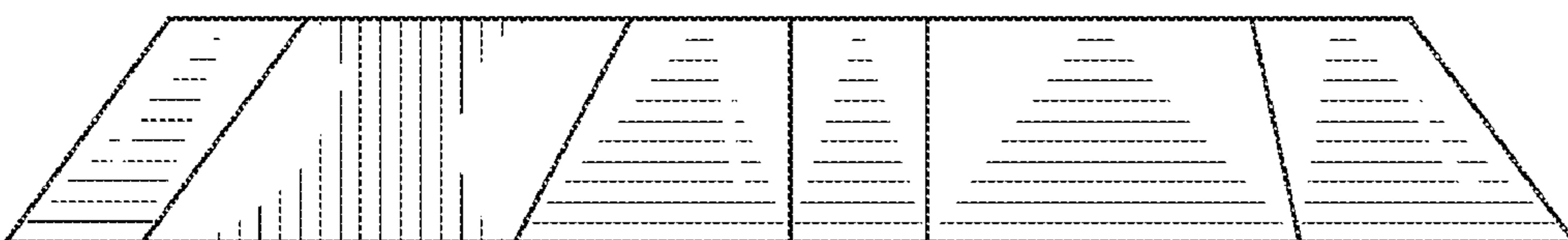


FIG. 7