



US00D635336S

(12) **United States Design Patent**
Alger

(10) **Patent No.:** **US D635,336 S**

(45) **Date of Patent:** **** Apr. 5, 2011**

(54) **HAT WITH DRY ERASE SURFACE**

(76) Inventor: **Jay Alger**, Saukville, WI (US)

(**) Term: **14 Years**

(21) Appl. No.: **29/364,897**

(22) Filed: **Jun. 30, 2010**

(51) **LOC (9) Cl.** **02-03**

(52) **U.S. Cl.** **D2/866; D2/882**

(58) **Field of Classification Search** D2/865,
D2/866, 868, 869, 870, 871, 872, 873, 874,
D2/875, 876, 877, 878, 879, 880, 881, 882,
D2/883, 884, 886, 891, 893; D29/109; 2/15,
2/171, 175.1, 175.2, 175.5, 195.1, 195.2,
2/195.3, 195.4, 195.6, 195.7, 200.1, 200.2,
2/209.11, 209.12, 209.13

See application file for complete search history.

(56) **References Cited**

U.S. PATENT DOCUMENTS

636,259	A *	11/1899	Hallin	2/10
D34,131	S *	2/1901	Earl	D29/109
1,190,427	A *	7/1916	Kromer, Jr.	2/181
1,610,241	A *	12/1926	Billings	2/181
2,010,132	A *	8/1935	Bischoff	62/304
2,445,209	A *	7/1948	Clark	2/181.4
2,682,667	A *	7/1954	Michelstetter	2/205
D179,967	S *	4/1957	Erickson	D29/104
4,525,878	A	7/1985	Lowe, Jr.		
D311,266	S *	10/1990	Parker	D2/866
4,985,935	A	1/1991	Hur		
D315,439	S *	3/1991	Lorentzen, Jr.	D2/882
D337,645	S *	7/1993	Guziejka	D2/884
5,253,368	A	10/1993	Blake		
5,465,426	A	11/1995	Beaton		
5,548,847	A	8/1996	Spicijaric		
D374,116	S *	10/1996	Virzi	D2/895
5,625,901	A *	5/1997	Healy	2/182.2
5,628,065	A *	5/1997	Austin	2/81

5,740,557	A *	4/1998	Reid et al.	2/209.13
D396,546	S *	8/1998	Marrs	D2/881
D397,239	S *	8/1998	Marrs	D2/882
5,875,494	A *	3/1999	Garnier et al.	2/209.7
D417,063	S *	11/1999	Henning	D2/866
D442,355	S	5/2001	Rose		
6,240,568	B1 *	6/2001	Lee	2/209.13
D453,261	S *	2/2002	Pisarevsky	D2/882
6,643,847	B1	11/2003	Dornak		
D491,714	S *	6/2004	Upcott	D2/875
D543,014	S *	5/2007	Sharpe et al.	D2/884
D543,338	S *	5/2007	Park	D2/882
D567,480	S *	4/2008	Harris et al.	D2/882
D579,180	S *	10/2008	Bridges	D2/882
D582,634	S *	12/2008	Lagassey	D2/866

(Continued)

OTHER PUBLICATIONS

Pictures of Unscripted Lid hats, as shown on <http://unscriptedgear.com>. Downloaded Sep. 13, 2010 (9 pages).*

Primary Examiner — Karen E Eldridge Powers

(74) *Attorney, Agent, or Firm* — Absolute Technology Law Group, LLC

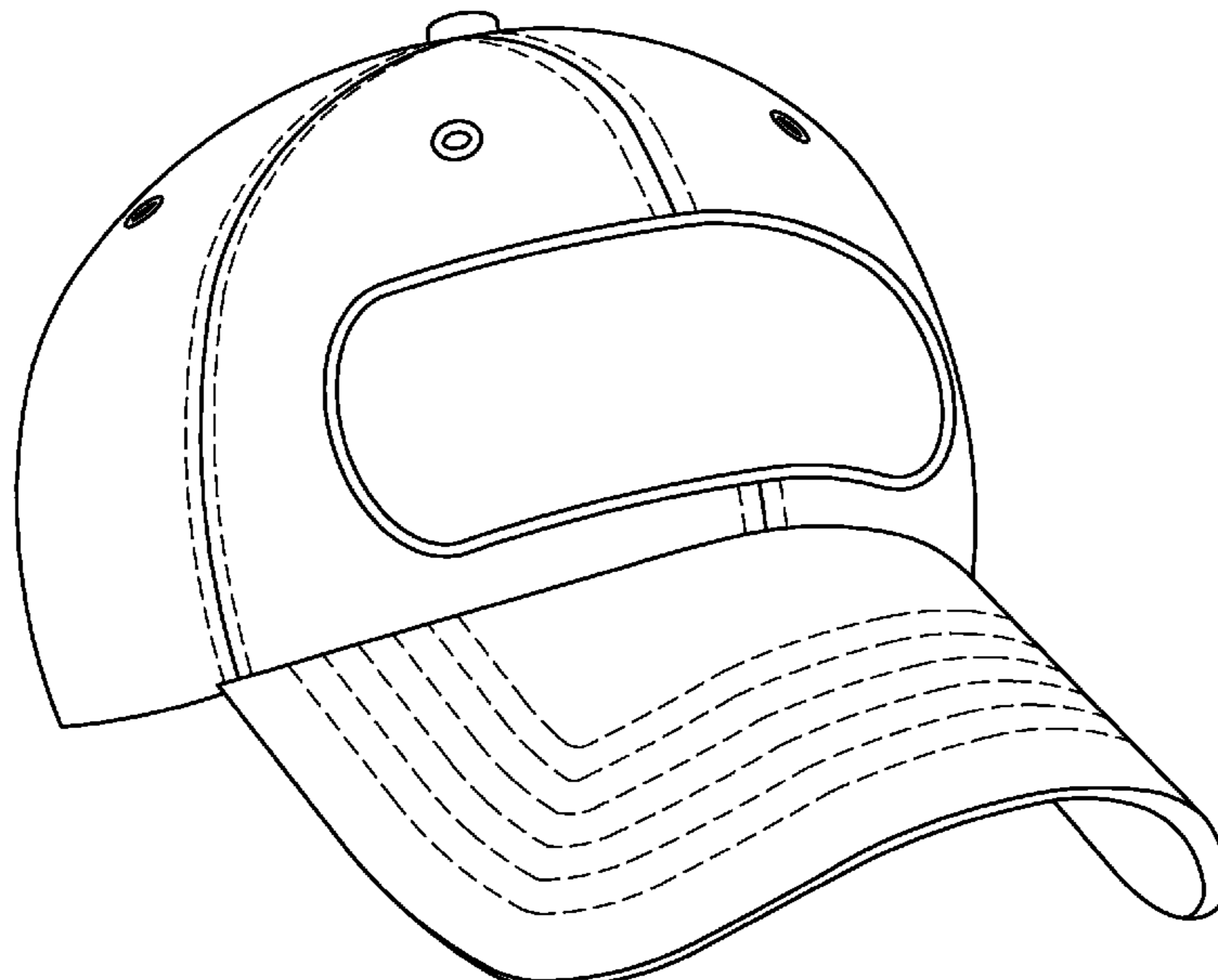
(57) **CLAIM**

The ornamental design for a hat with dry erase surface, as shown and described.

DESCRIPTION

FIG. 1 is a perspective view of a hat with dry erase surface showing my new design;
FIG. 2 is a front view thereof;
FIG. 3 is a left side view thereof, the right side being a mirror image;
FIG. 4 is a rear view thereof; and,
FIG. 5 is a top view thereof.
The broken lines shown in the drawings represent stitching and form no part of the claimed design.

1 Claim, 3 Drawing Sheets



US D635,336 S

Page 2

U.S. PATENT DOCUMENTS

D589,237 S *	3/2009	Jaggers et al.	D2/880	D619,789 S *	7/2010	Barany	D2/882
D591,030 S *	4/2009	Lacey	D2/866	2003/0233696 A1 *	12/2003	Lee	2/195.2
D593,284 S *	6/2009	Wymer	D2/879	2004/0187191 A1 *	9/2004	Lee	2/171
7,621,000 B1 *	11/2009	Fulton	2/209.13	2006/0048271 A1 *	3/2006	Totani	2/171.1
D613,930 S *	4/2010	Poag	D2/876	2009/0151049 A1 *	6/2009	Conrardy et al.	2/206

* cited by examiner

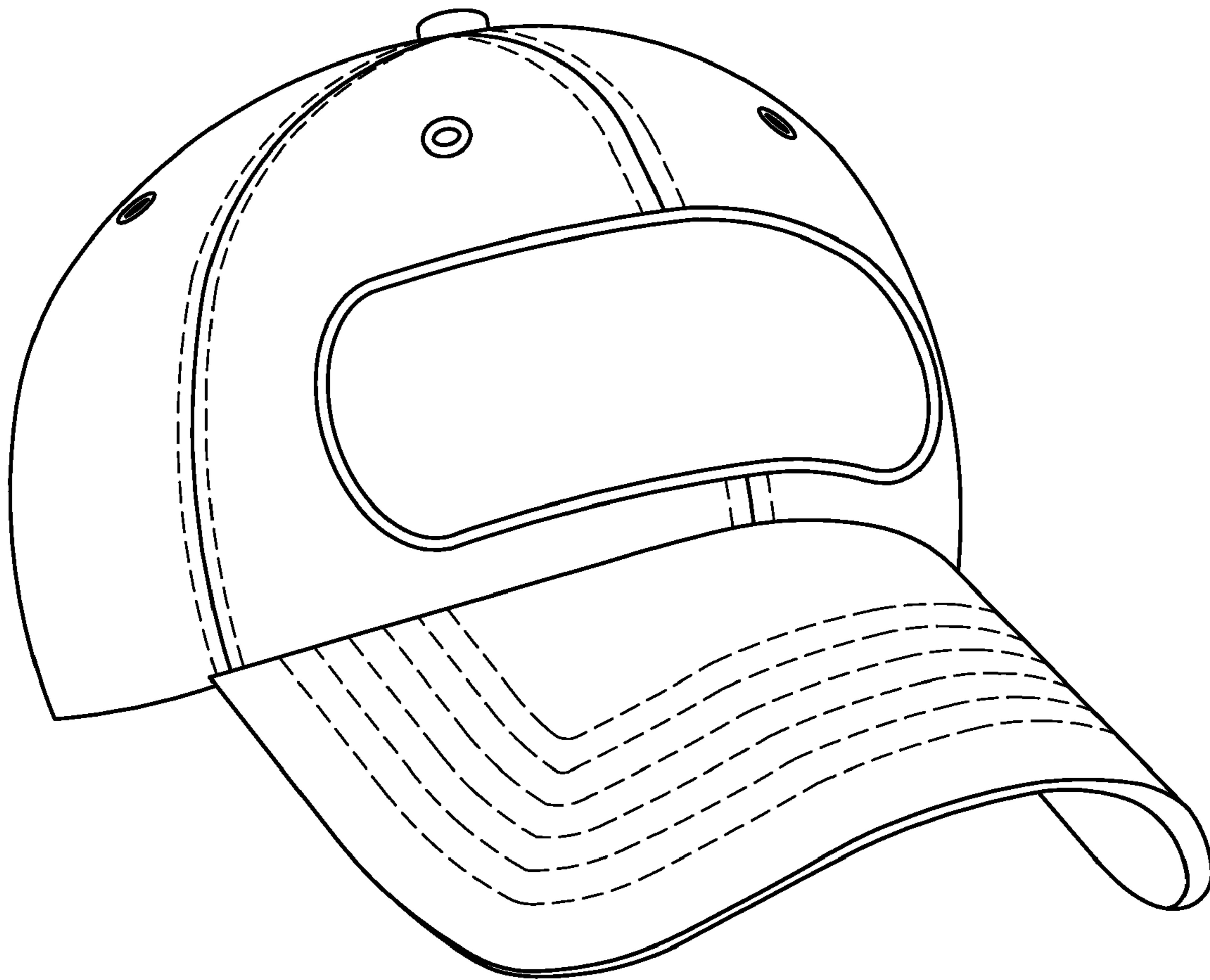


FIG. 1

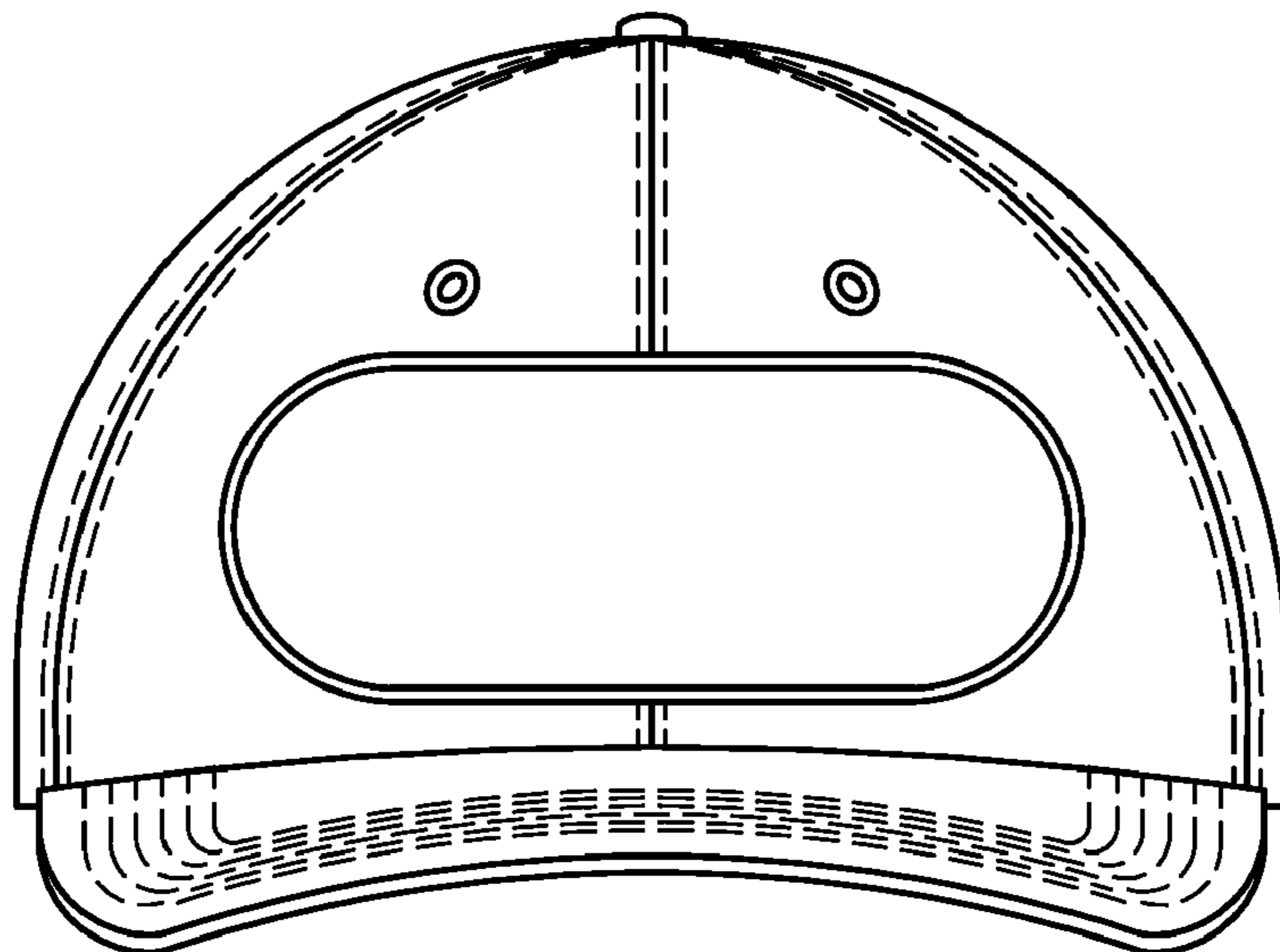


FIG. 2

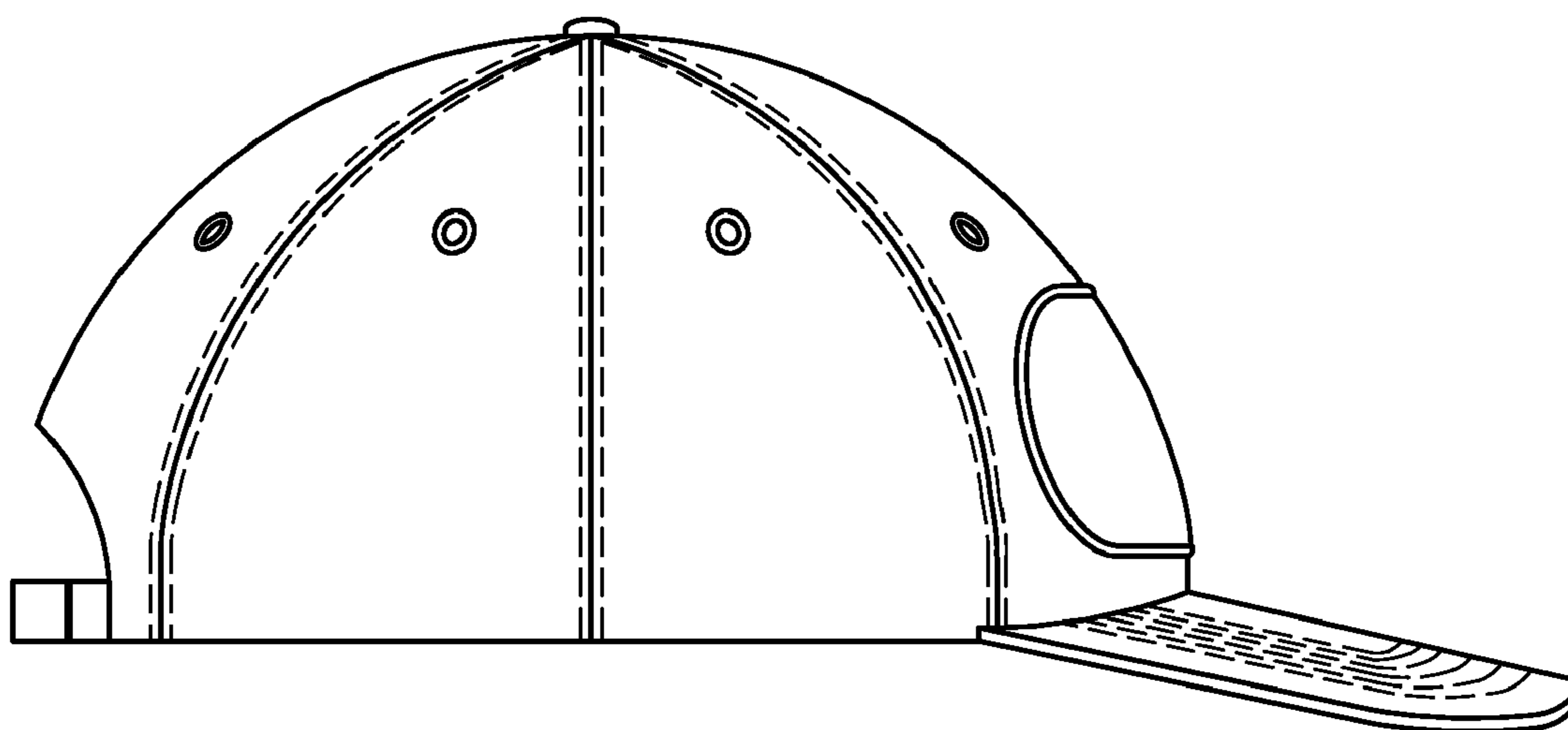


FIG. 3

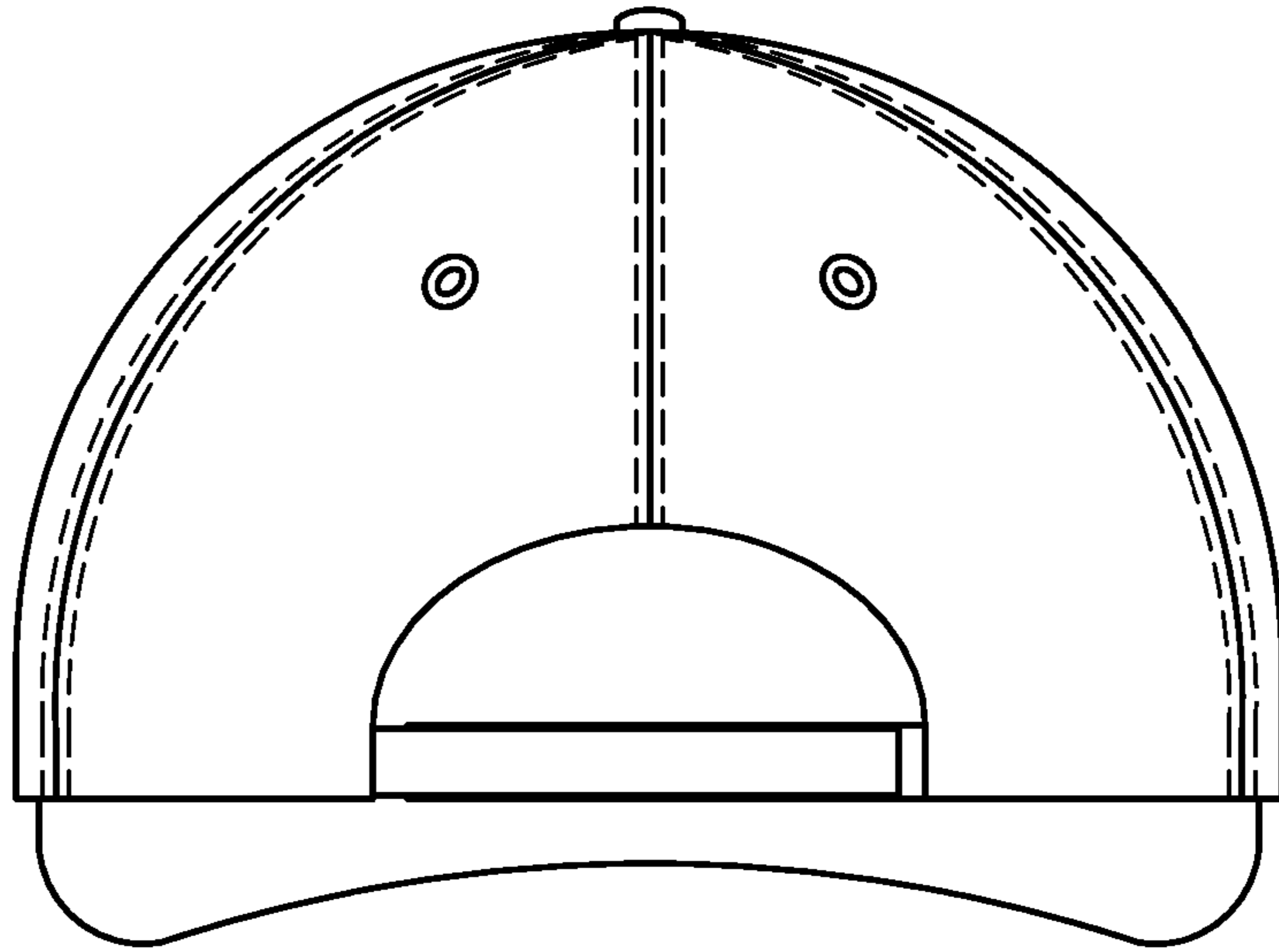


FIG. 4

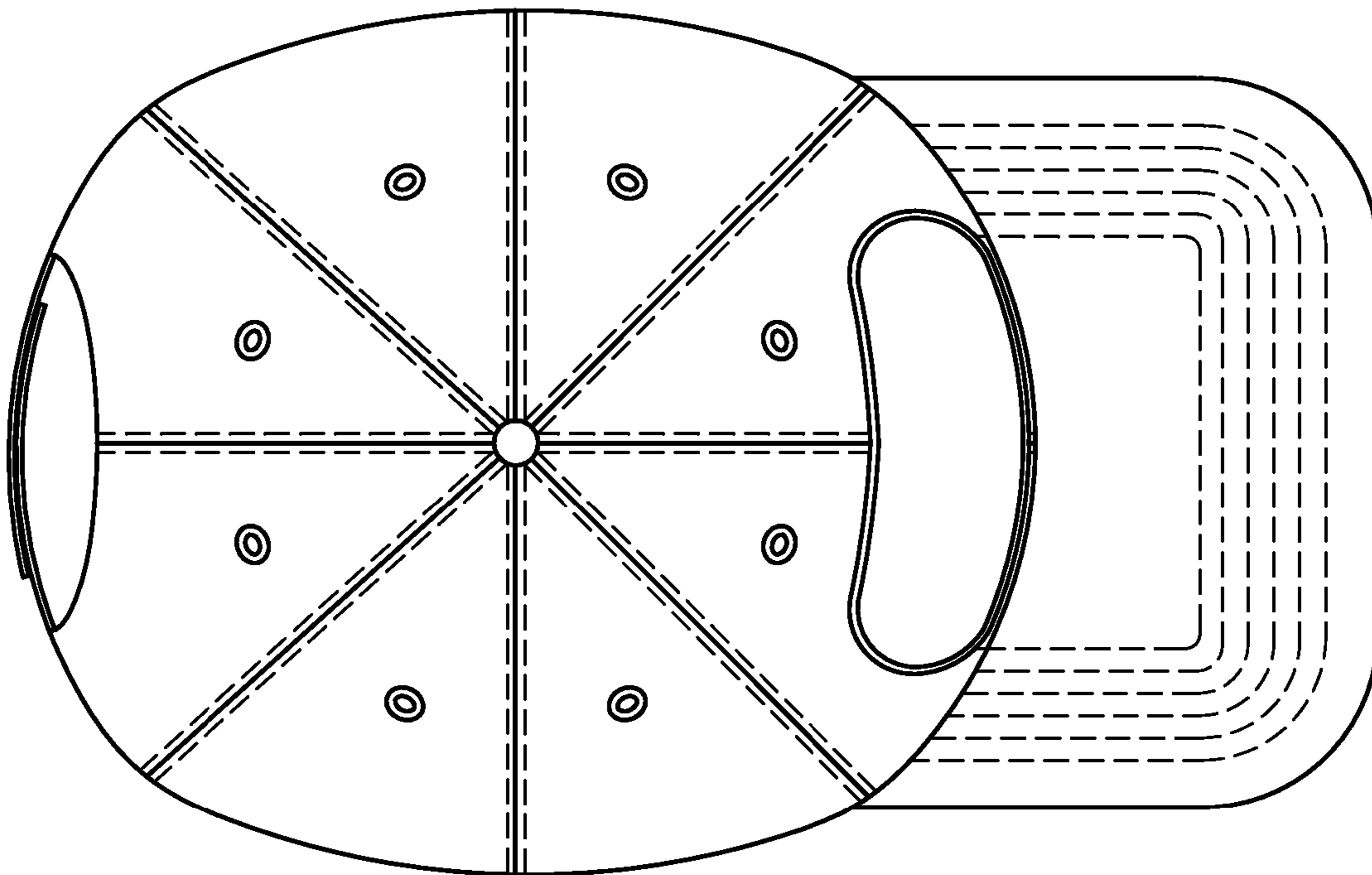


FIG. 5