



US00D635326S

(12) **United States Design Patent**  
**Freije**

(10) **Patent No.:** **US D635,326 S**  
(45) **Date of Patent:** **\*\* Apr. 5, 2011**

- (54) **DOG CHEW**
- (75) Inventor: **Janjaap Freije**, Zuidlaarderveen (NL)
- (73) Assignee: **Paragon Products B.V.**, Vandeem (NL)
- (\*\*) Term: **14 Years**
- (21) Appl. No.: **29/362,773**
- (22) Filed: **May 28, 2010**

**Related U.S. Application Data**

- (62) Division of application No. 29/309,404, filed on Aug. 11, 2008.

**Foreign Application Priority Data**

- Feb. 12, 2008 (EM) ..... 876917-0003
- Jun. 6, 2008 (EM) ..... 947361-0001
- Jun. 6, 2008 (EM) ..... 947361-0002

- (51) **LOC (9) Cl.** ..... **01-01**
- (52) **U.S. Cl.** ..... **D1/106; D1/199**
- (58) **Field of Classification Search** ..... D1/100-199;  
D30/160, 158; D24/102, 103, 211-212;  
426/2, 104, 635, 805; 119/706-711, 702;  
D21/386, 707; D4/104-112, 136; 15/167.1,  
15/167.2, 110, 188

See application file for complete search history.

(56) **References Cited**

**U.S. PATENT DOCUMENTS**

|           |    |         |            |
|-----------|----|---------|------------|
| 2,408,735 | A  | 10/1946 | Claffin    |
| D170,603  | S  | 10/1953 | Pennington |
| D231,872  | S  | 6/1974  | Spaulding  |
| 6,273,719 | B1 | 8/2001  | Whitman    |

|              |      |         |                 |         |
|--------------|------|---------|-----------------|---------|
| D475,816     | S    | 6/2003  | Adamson         |         |
| 6,602,013    | B2   | 8/2003  | Clark           |         |
| D487,351     | S    | 3/2004  | Frazell         |         |
| D499,226     | S *  | 12/2004 | Axelrod         | D1/106  |
| D515,817     | S *  | 2/2006  | Siemer          | D4/108  |
| D523,592     | S    | 6/2006  | Wang            |         |
| D529,668     | S    | 10/2006 | Wang            |         |
| D542,506     | S    | 5/2007  | Springer        |         |
| D572,426     | S    | 7/2008  | McCollum et al. |         |
| D584,476     | S *  | 1/2009  | Caudill et al.  | D1/125  |
| D584,477     | S *  | 1/2009  | Caudill et al.  | D1/125  |
| 7,497,189    | B2 * | 3/2009  | Torney et al.   | 119/709 |
| D590,127     | S *  | 4/2009  | Caudill et al.  | D1/125  |
| D601,805     | S *  | 10/2009 | Kayser          | D4/104  |
| 2005/0039696 | A1   | 2/2005  | Springer        |         |
| 2006/0037160 | A1   | 2/2006  | Kayser          |         |
| 2007/0044730 | A1 * | 3/2007  | Axelrod et al.  | 119/709 |
| 2007/0098841 | A1   | 5/2007  | Keehn           |         |
| 2007/0101946 | A1 * | 5/2007  | Penny           | 119/709 |
| 2007/0224131 | A1   | 9/2007  | McCollum et al. |         |
| 2009/0025649 | A1   | 1/2009  | Gamble et al.   |         |
| 2010/0003393 | A1   | 1/2010  | Torney et al.   |         |

\* cited by examiner

*Primary Examiner* — Cathron C Brooks  
*Assistant Examiner* — Barbara Fox

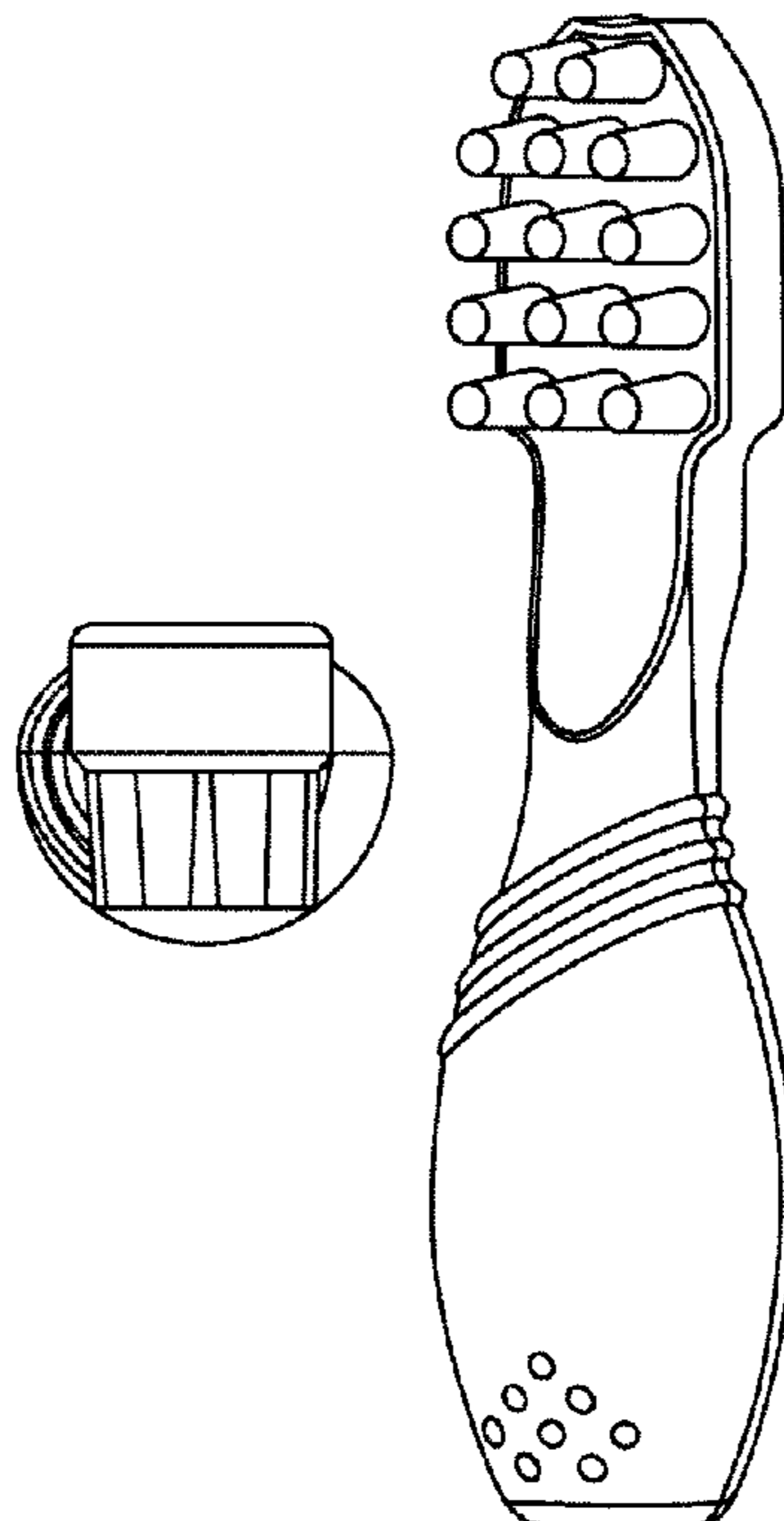
(57) **CLAIM**

The ornamental design for a dog chew, as shown and described.

**DESCRIPTION**

FIG. 1 is a top view of a dog chew showing my new design; FIG. 2 is a front view thereof; FIG. 3 is a right side view thereof; FIG. 4 is a rear view thereof; FIG. 5 is a bottom view thereof; and, FIG. 6 is a perspective view thereof.

**1 Claim, 1 Drawing Sheet**



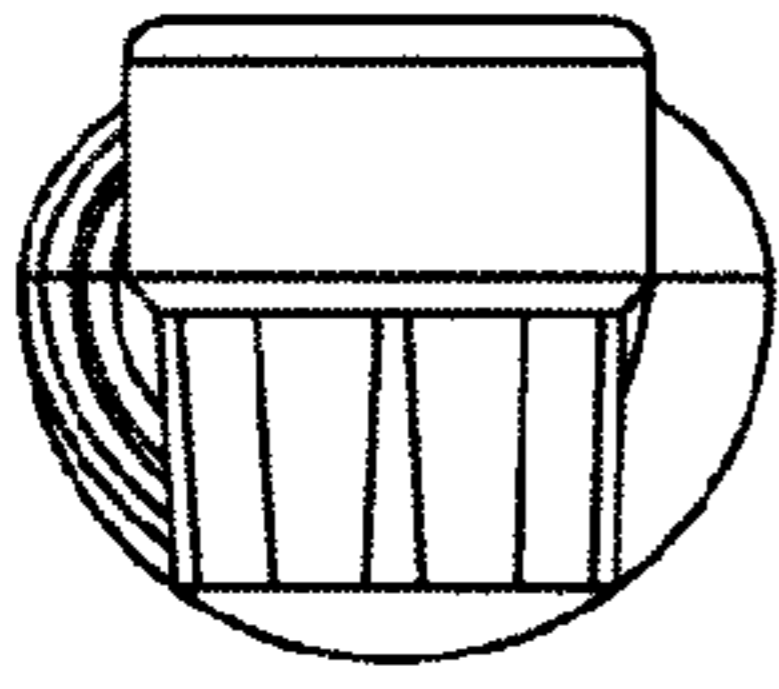


FIG. 1

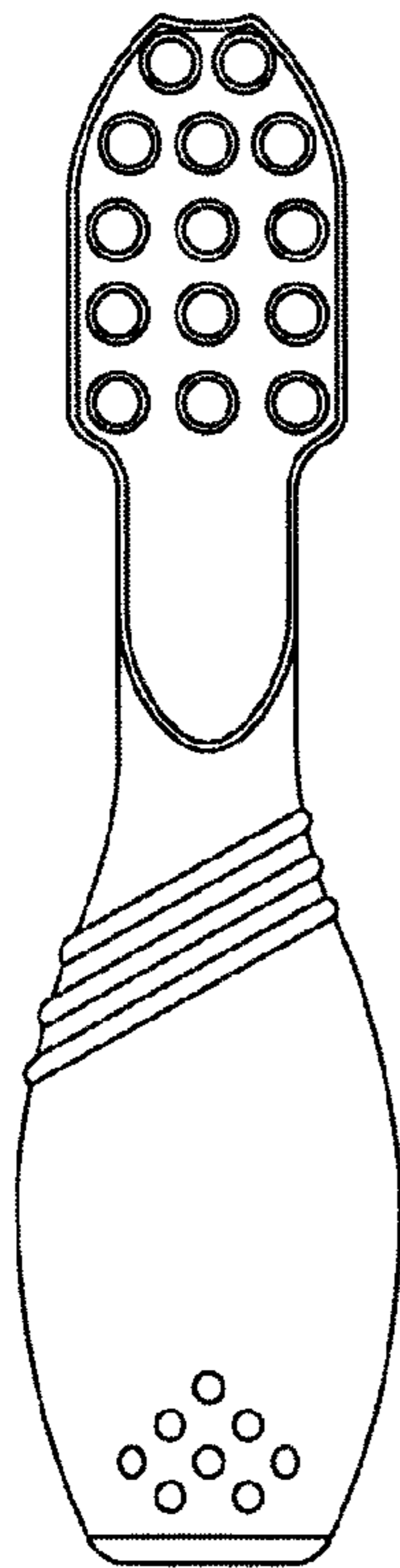


FIG. 2

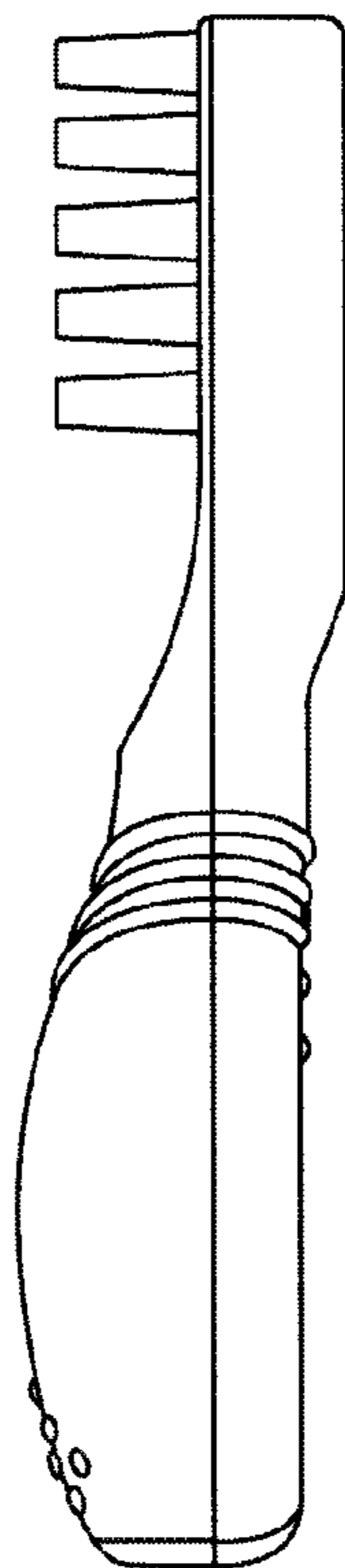


FIG. 3

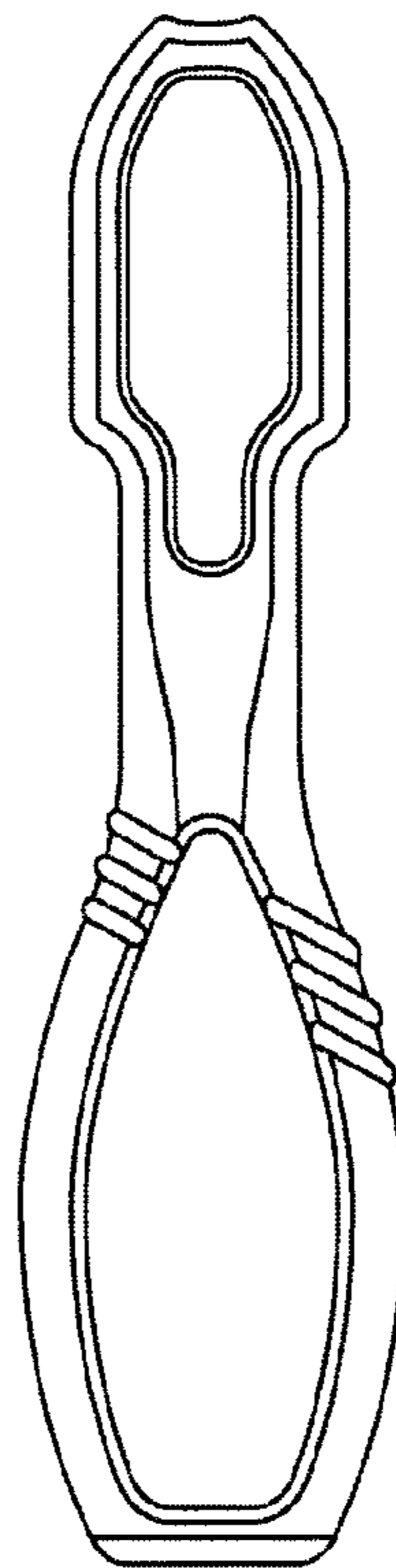


FIG. 4

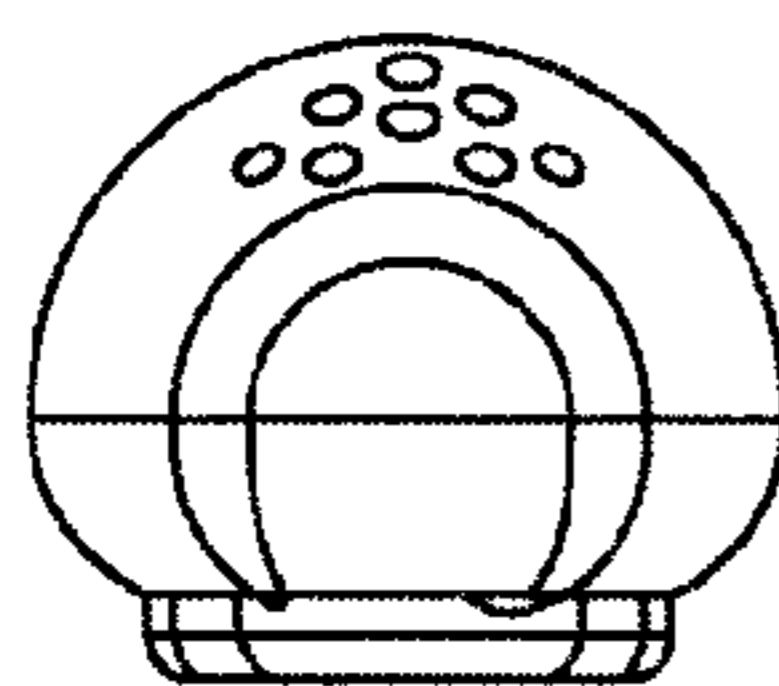


FIG. 5

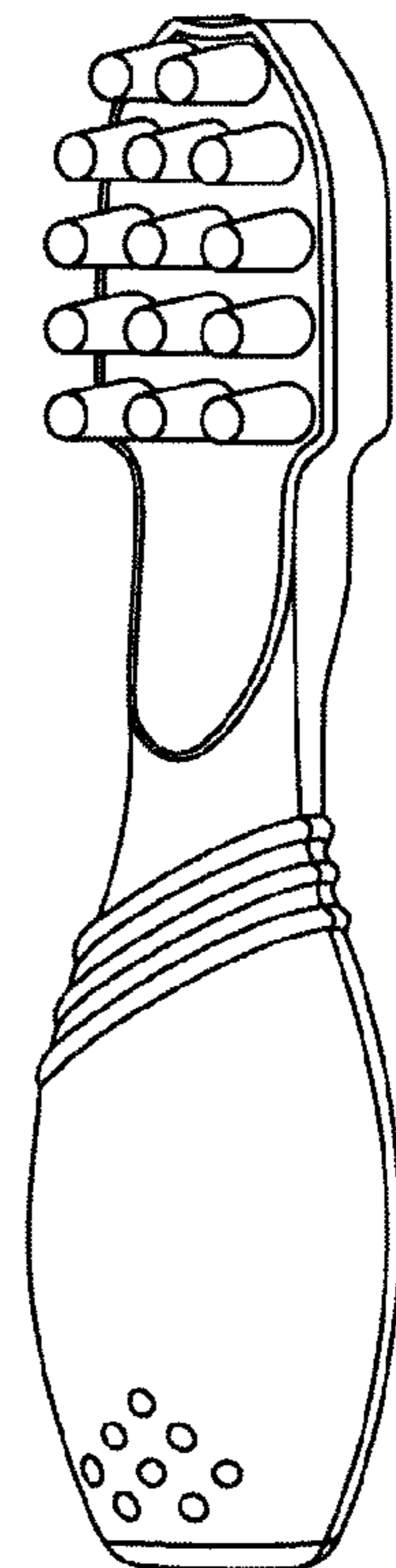


FIG. 6

UNITED STATES PATENT AND TRADEMARK OFFICE  
**CERTIFICATE OF CORRECTION**

PATENT NO. : D635,326 S  
APPLICATION NO. : 29/362773  
DATED : April 5, 2011  
INVENTOR(S) : Janjaap Freije

Page 1 of 1

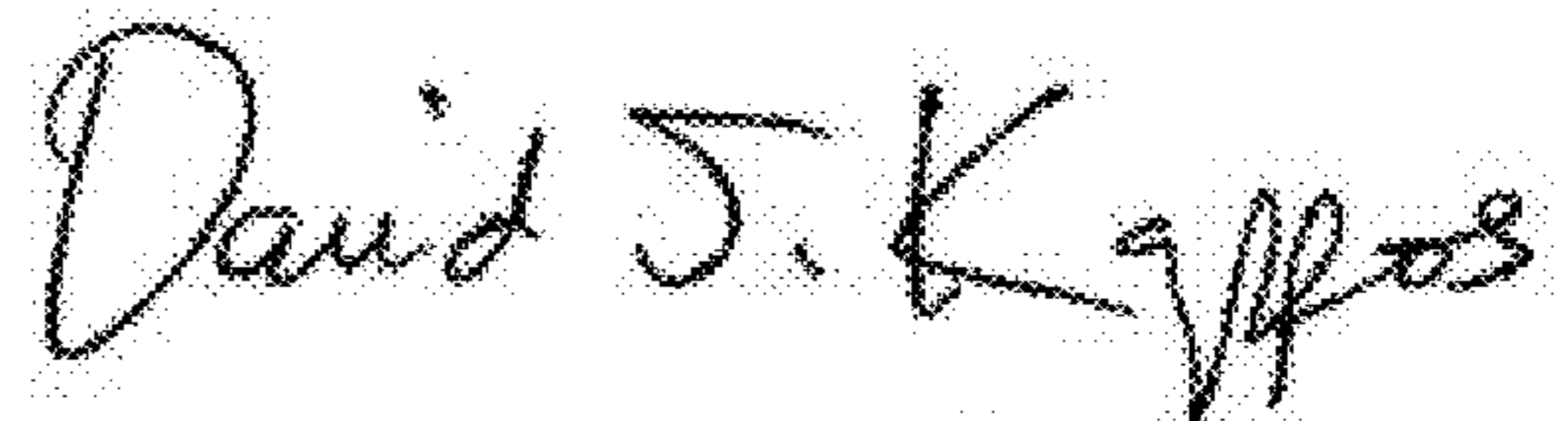
It is certified that error appears in the above-identified patent and that said Letters Patent is hereby corrected as shown below:

Title Page, Item (73)

Adjacent (73) Assignee:

Change "Vandeem (NL)" to -- Veendam (NL) --

Signed and Sealed this  
Seventh Day of June, 2011

A handwritten signature in black ink, reading "David J. Kappos". The signature is written in a cursive style with a large initial "D".

David J. Kappos  
*Director of the United States Patent and Trademark Office*