



US00D635325S

(12) **United States Design Patent**  
**Plato**

(10) **Patent No.:** **US D635,325 S**

(45) **Date of Patent:** **\*\* Mar. 29, 2011**

(54) **SAFE**

(75) **Inventor:** **Lea Marie Plato, Milwaukee, WI (US)**

(73) **Assignee:** **Master Lock Company LLC, Oak Creek, WI (US)**

(\*\*) **Term:** **14 Years**

(21) **Appl. No.:** **29/362,945**

(22) **Filed:** **Jun. 2, 2010**

(51) **LOC (9) Cl.** ..... **25-02**

(52) **U.S. Cl.** ..... **D99/28**

(58) **Field of Classification Search** ..... D99/28,  
D99/34, 35, 36, 37, 43, 99; D18/3.1, 3.3,  
D18/12, 12.1, 12.2, 12.3, 46, 47, 4.4, 4.5,  
D18/4.6; 235/379, 381, 382, 382.5; 194/206;  
D14/900, 901, 902; 109/1 V, 1 R, 2, 58,  
109/64, 78, 79

See application file for complete search history.

(56) **References Cited**

**U.S. PATENT DOCUMENTS**

232,329	A	*	9/1880	Brown et al.	292/76
1,455,496	A	*	5/1923	Kurowski	400/534
D115,538	S	*	7/1939	Boros	D99/35
D164,400	S	*	9/1951	Braiser	D99/35
D194,241	S	*	12/1962	Knedler	D99/34
D273,908	S	*	5/1984	Hoogeveen	D99/28
4,660,715	A	*	4/1987	Anastos	206/0.8
D298,679	S	*	11/1988	Casini et al.	D99/28
D302,491	S	*	8/1989	Brush et al.	D3/294
D335,378	S	*	5/1993	Mariol	D99/28
D345,850	S	*	4/1994	Nakaue	D99/28
D399,632	S	*	10/1998	Davis et al.	D99/28
6,085,671	A	*	7/2000	Kerr et al.	109/51

D436,427	S	*	1/2001	Grendahl	D99/35
D441,170	S	*	4/2001	Ciesko et al.	D99/28
D445,234	S	*	7/2001	Isaacs et al.	D99/28
D446,011	S	*	8/2001	Ogilvie et al.	D3/273
D474,596	S	*	5/2003	Osiecki et al.	D3/273
D485,312	S	*	1/2004	Gaska et al.	D20/41
D539,540	S	*	4/2007	Perlman et al.	D3/294
D569,072	S	*	5/2008	Osiecki et al.	D99/28
D569,073	S	*	5/2008	Osiecki et al.	D99/28
D570,074	S	*	5/2008	Osiecki et al.	D99/28
D579,625	S	*	10/2008	Kang et al.	D99/28
D608,525	S	*	1/2010	Osiecki et al.	D99/28

\* cited by examiner

*Primary Examiner* — Stella M Reid

*Assistant Examiner* — Elizabeth J Oswecki

(74) *Attorney, Agent, or Firm* — Calfee, Halter & Griswold LLP

(57) **CLAIM**

I claim the ornamental design for a safe, as shown and described.

**DESCRIPTION**

FIG. 1 is a front perspective view of a safe showing my new design;

FIG. 2 is a top view thereof;

FIG. 3 is a front view thereof;

FIG. 4 is a bottom view thereof;

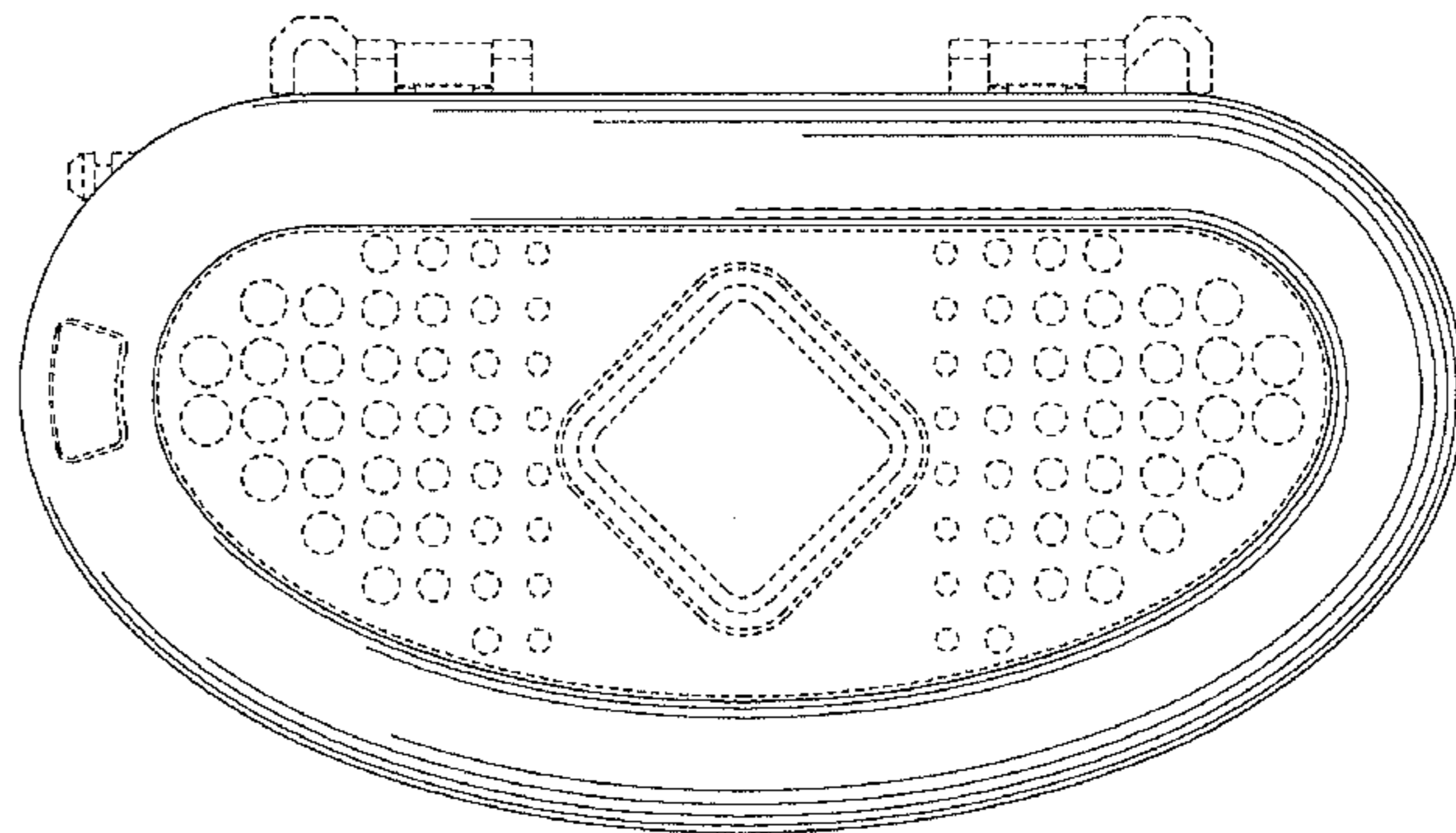
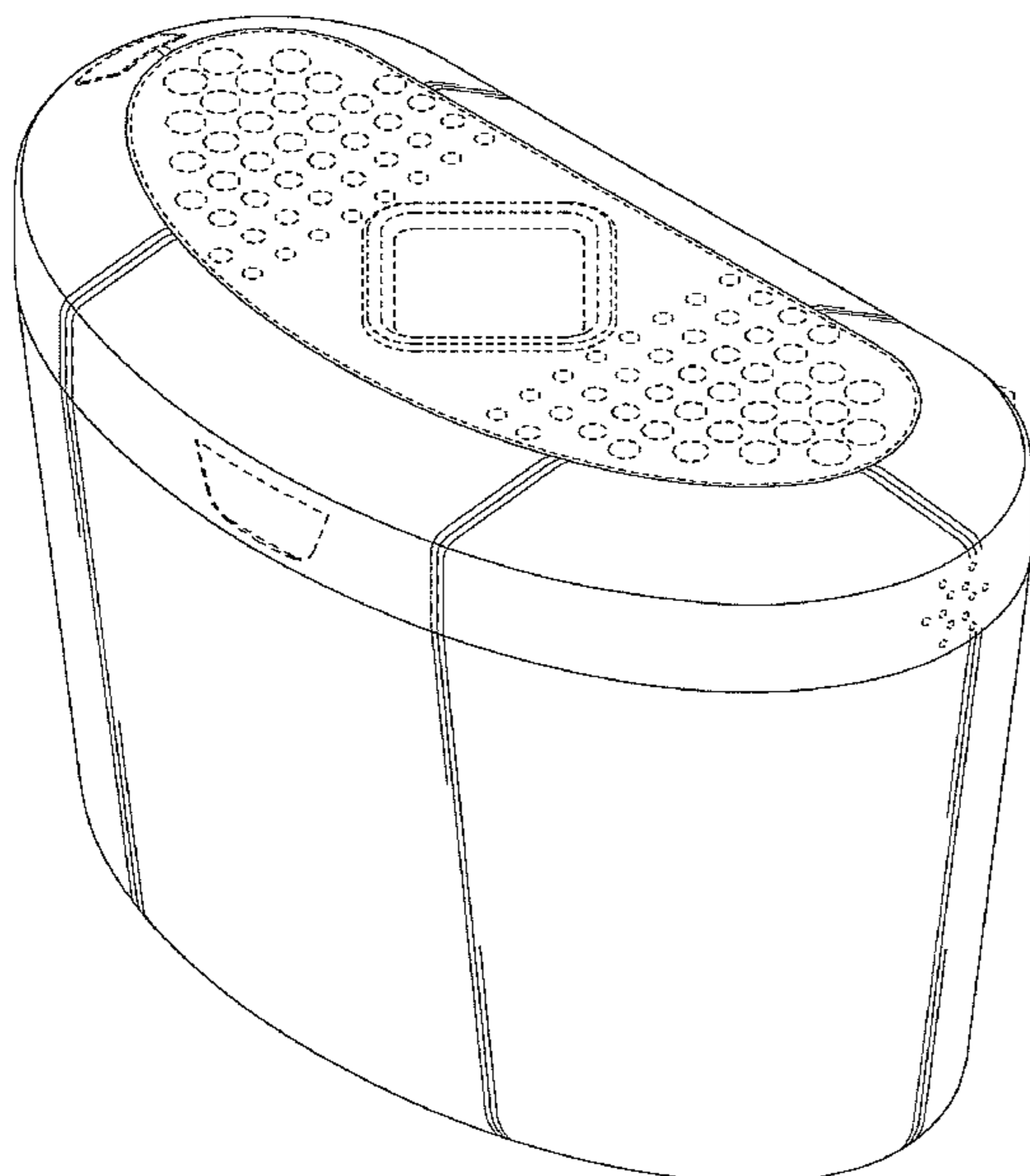
FIG. 5 is a rear view thereof;

FIG. 6 is a right side view thereof; and,

FIG. 7 is a left side view thereof.

The portions of the Figures shown in phantom lines are for illustrative purpose only and form no part of the claimed design.

**1 Claim, 4 Drawing Sheets**



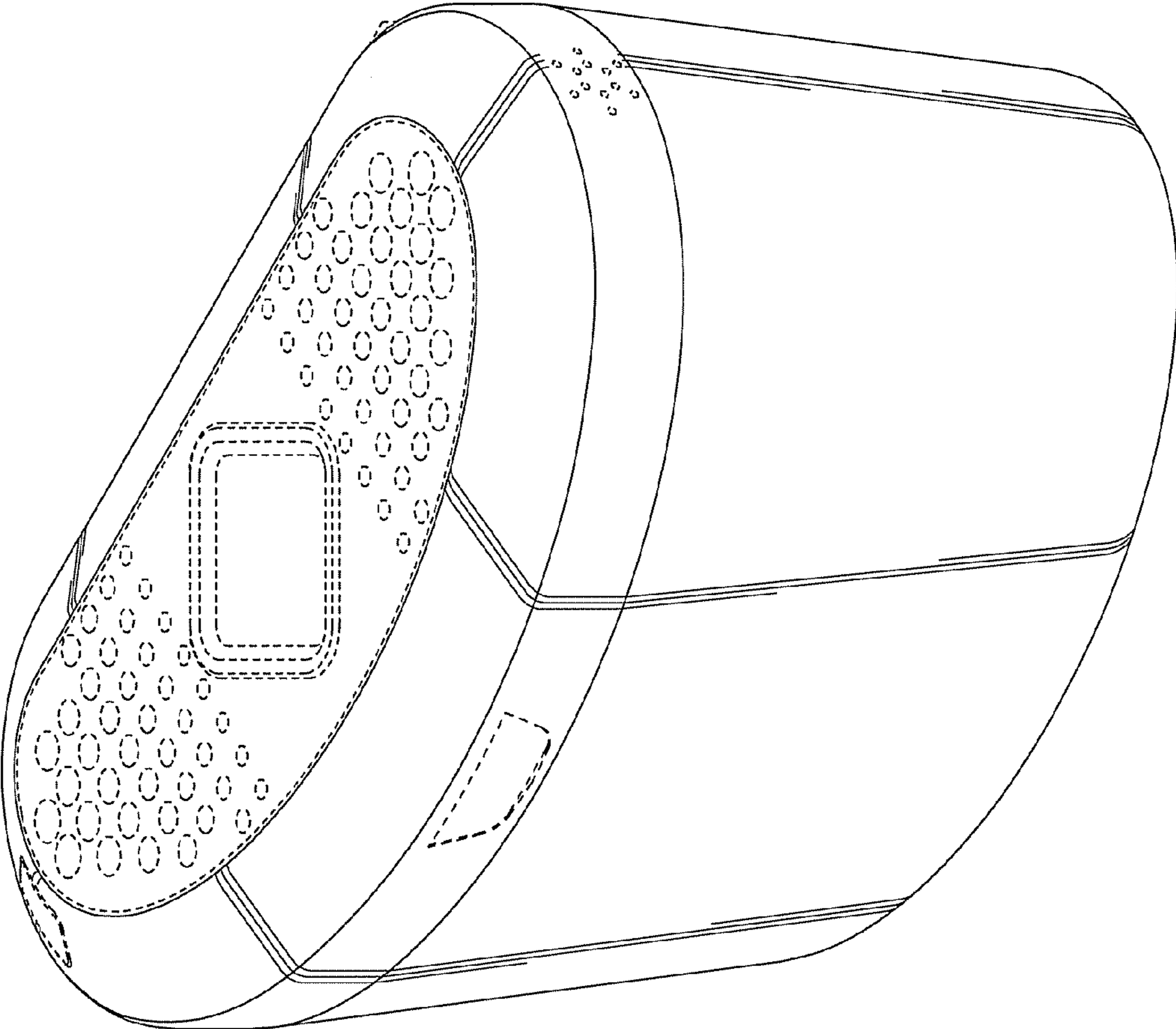
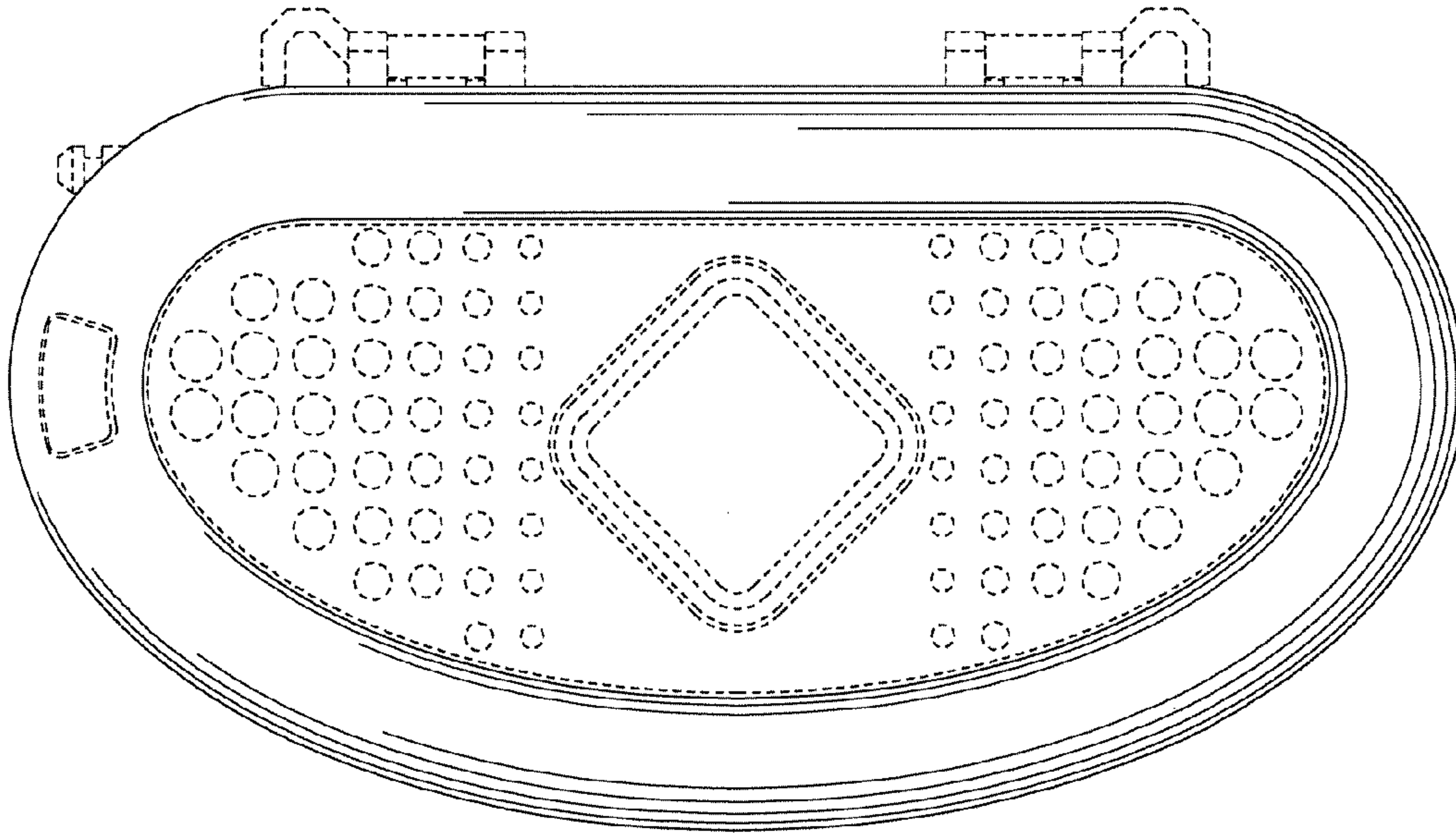
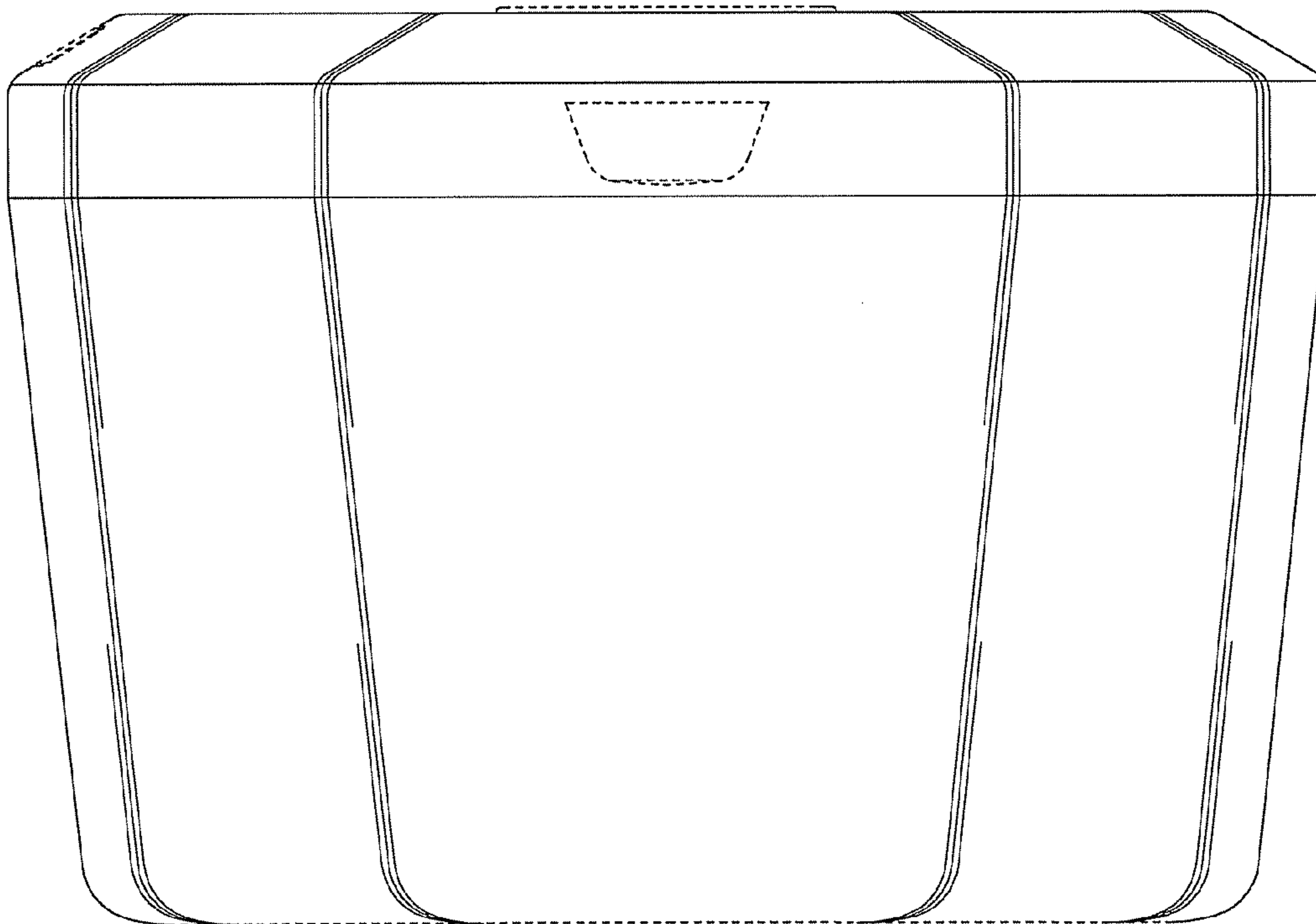


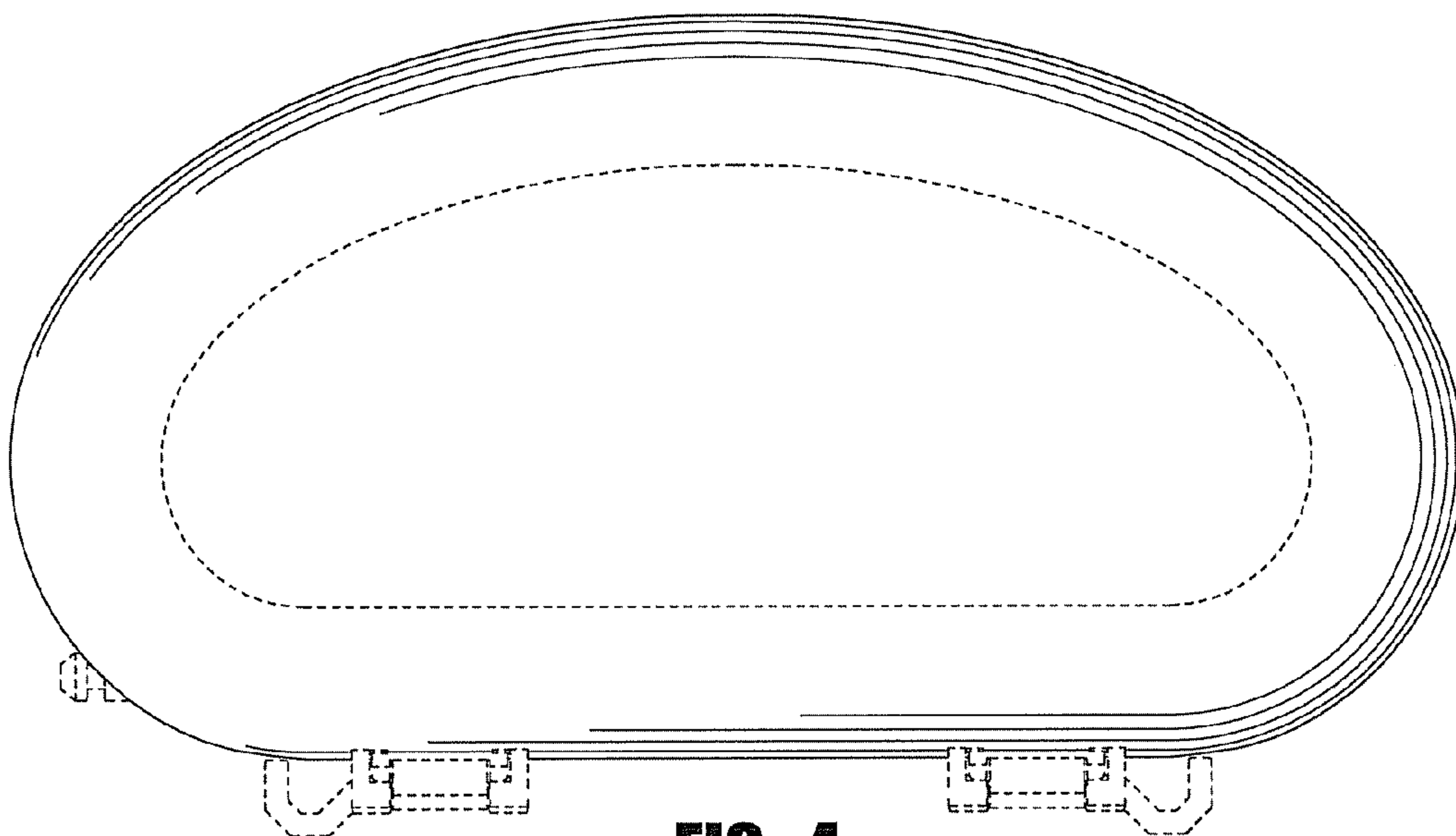
FIG. 1



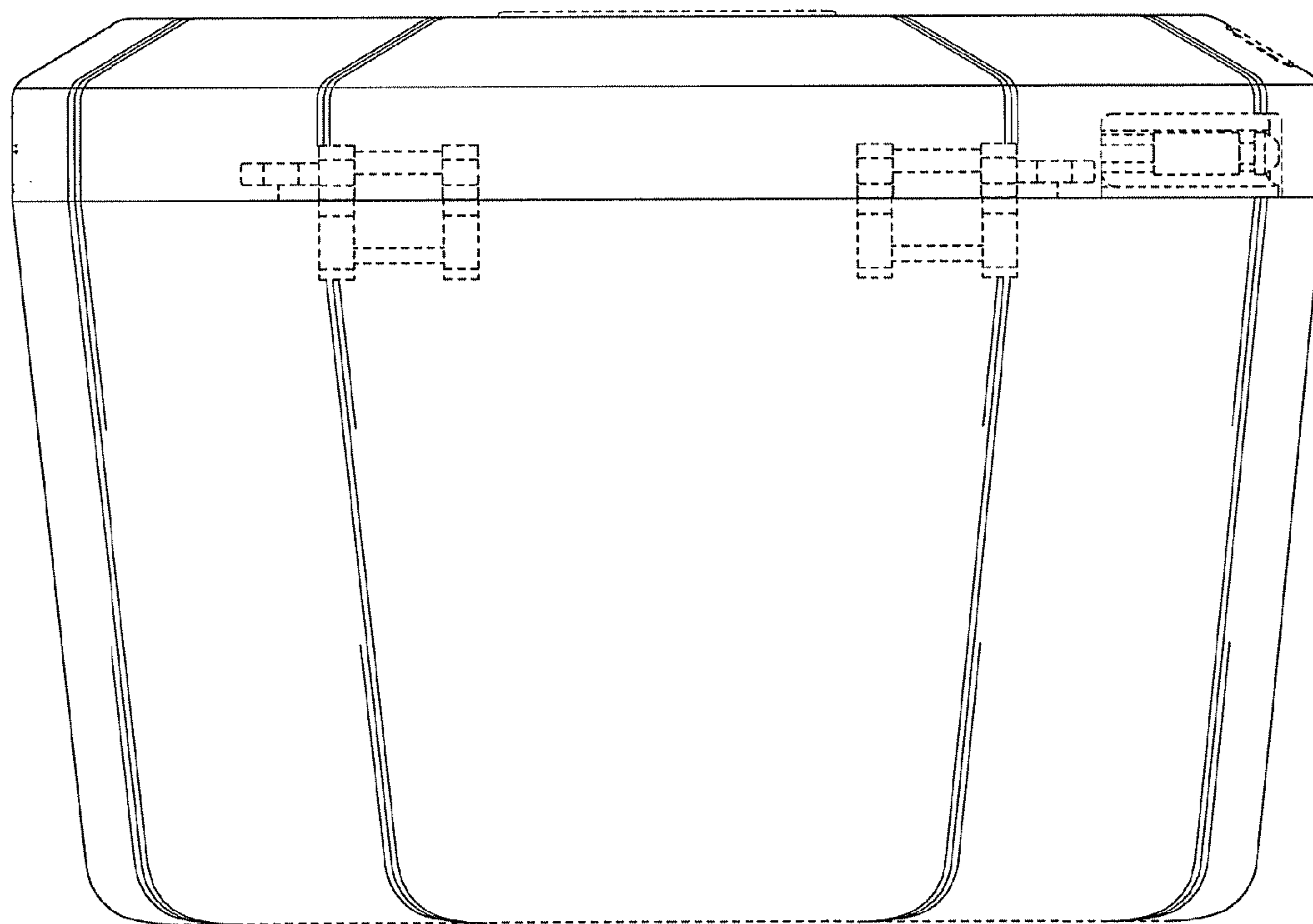
**FIG. 2**



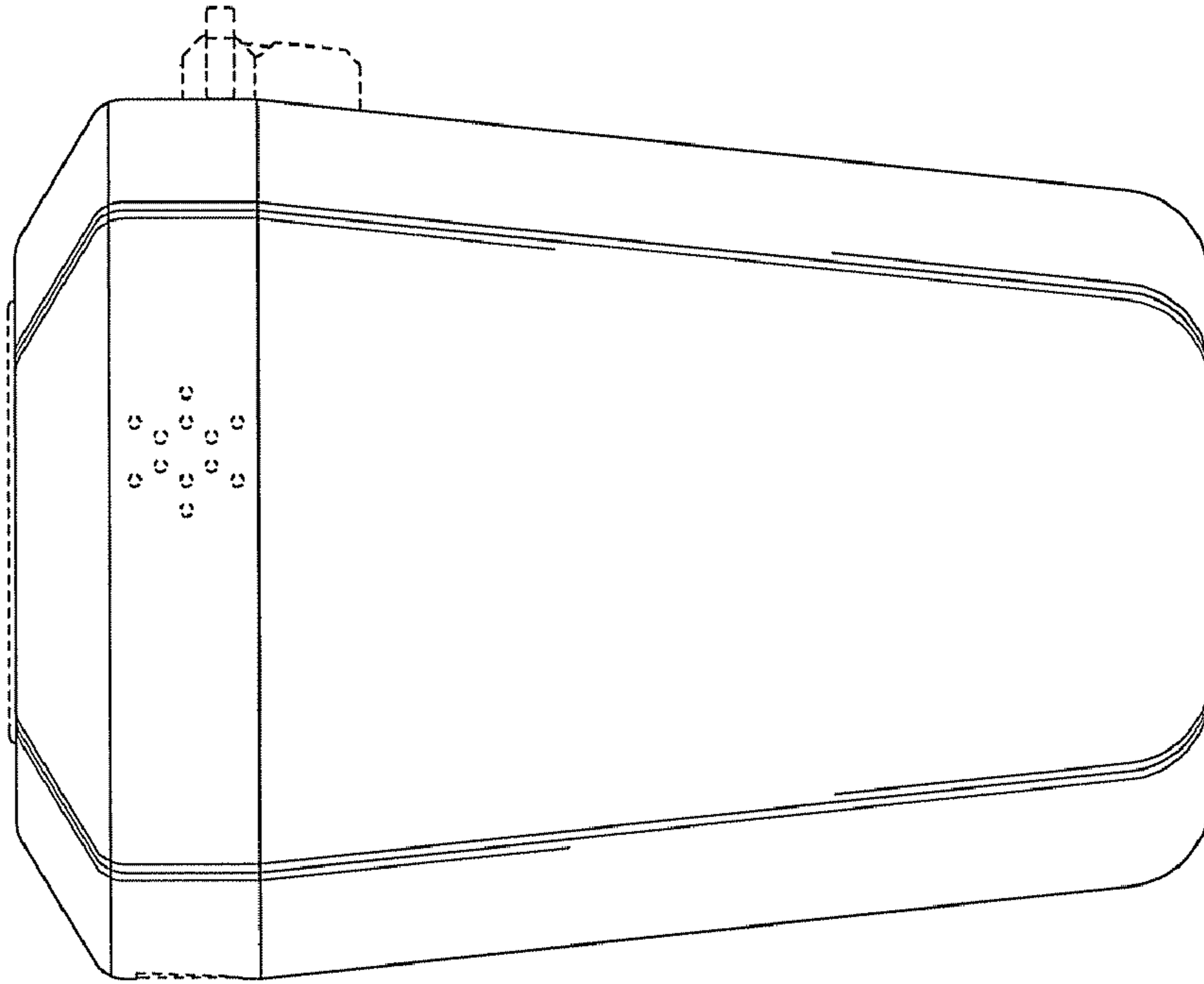
**FIG. 3**



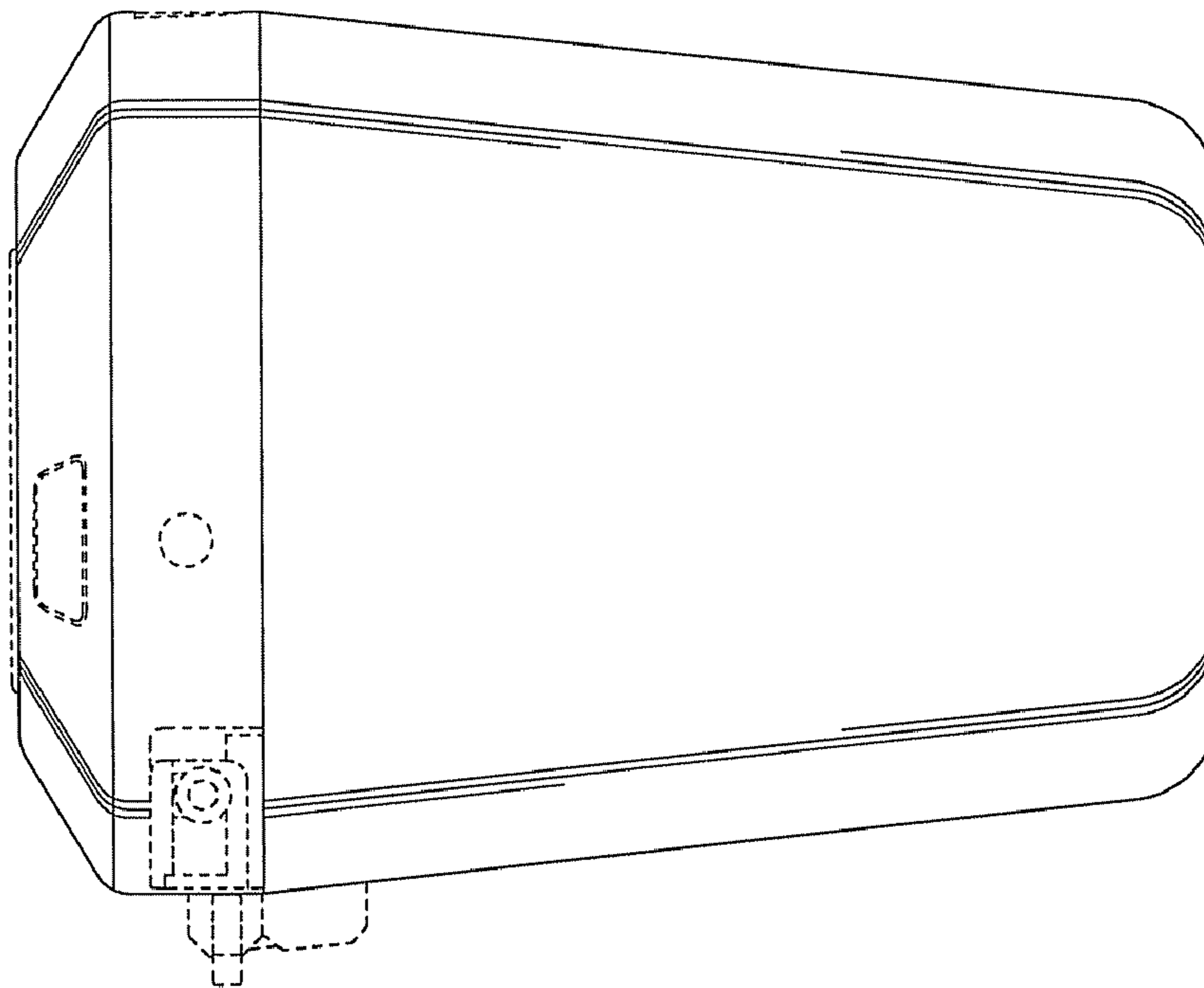
**FIG. 4**



**FIG. 5**



**FIG. 7**



**FIG. 6**