

US00D635324S

(12) **United States Design Patent**
Plato

(10) **Patent No.:** **US D635,324 S**
(45) **Date of Patent:** **** Mar. 29, 2011**

- (54) **SAFE**
 - (75) **Inventor:** **Lea Marie Plato**, Milwaukee, WI (US)
 - (73) **Assignee:** **Master Lock Company LLC**, Oak Creek, WI (US)
 - (**) **Term:** **14 Years**
 - (21) **Appl. No.:** **29/362,934**
 - (22) **Filed:** **Jun. 2, 2010**
 - (51) **LOC (9) Cl.** **25-02**
 - (52) **U.S. Cl.** **D99/28**
 - (58) **Field of Classification Search** D99/28, D99/34, 35, 36, 37, 43, 99; D18/3.1, 3.3, D18/12, 12.1, 12.2, 12.3, 46, 47, 4.4, 4.5, D18/4.6; 235/379, 381, 382, 382.5; 194/206; D14/900, 901, 902; 109/1 V, 1 R, 2, 58, 109/64, 78, 79
- See application file for complete search history.

D474,596	S	*	5/2003	Osiecki et al.	D3/273
D509,940	S	*	9/2005	Quinones	D99/37
D542,529	S	*	5/2007	Pearl et al.	D3/276
D558,977	S	*	1/2008	Pearl et al.	D3/294
D560,875	S	*	1/2008	Decarlo et al.	D99/28
D561,994	S	*	2/2008	Pearl et al.	D3/291
D571,524	S	*	6/2008	Kang et al.	D99/28
D572,425	S	*	7/2008	Themistos	D99/28
D579,174	S	*	10/2008	Decarlo et al.	D99/28
D624,275	S	*	9/2010	Min	D99/28
2006/0108252	A1	*	5/2006	Lax	206/470

OTHER PUBLICATIONS

Printout from web cite; Portable Outdoor Safe; printed Aug. 27, 2010; <http://www.serium/plus.com/yelpie/index.htm>; 2 pages. Printout from web cite; Portable SmartSafe; printed Aug. 27, 2010; <http://www.xitel.com/mySafe/portable-smartsafe.asp>; 1 page. Printout from web cite; Lock Alarm/PoraSafe; printed Aug. 27, 2010; <http://www.lockalarm.com/lockalarmportasa.html>; 1 page.

* cited by examiner

Primary Examiner — Stella M Reid
Assistant Examiner — Elizabeth J Oswecki
 (74) *Attorney, Agent, or Firm* — Calfee, Halter & Griswold LLP

(56) **References Cited**

U.S. PATENT DOCUMENTS

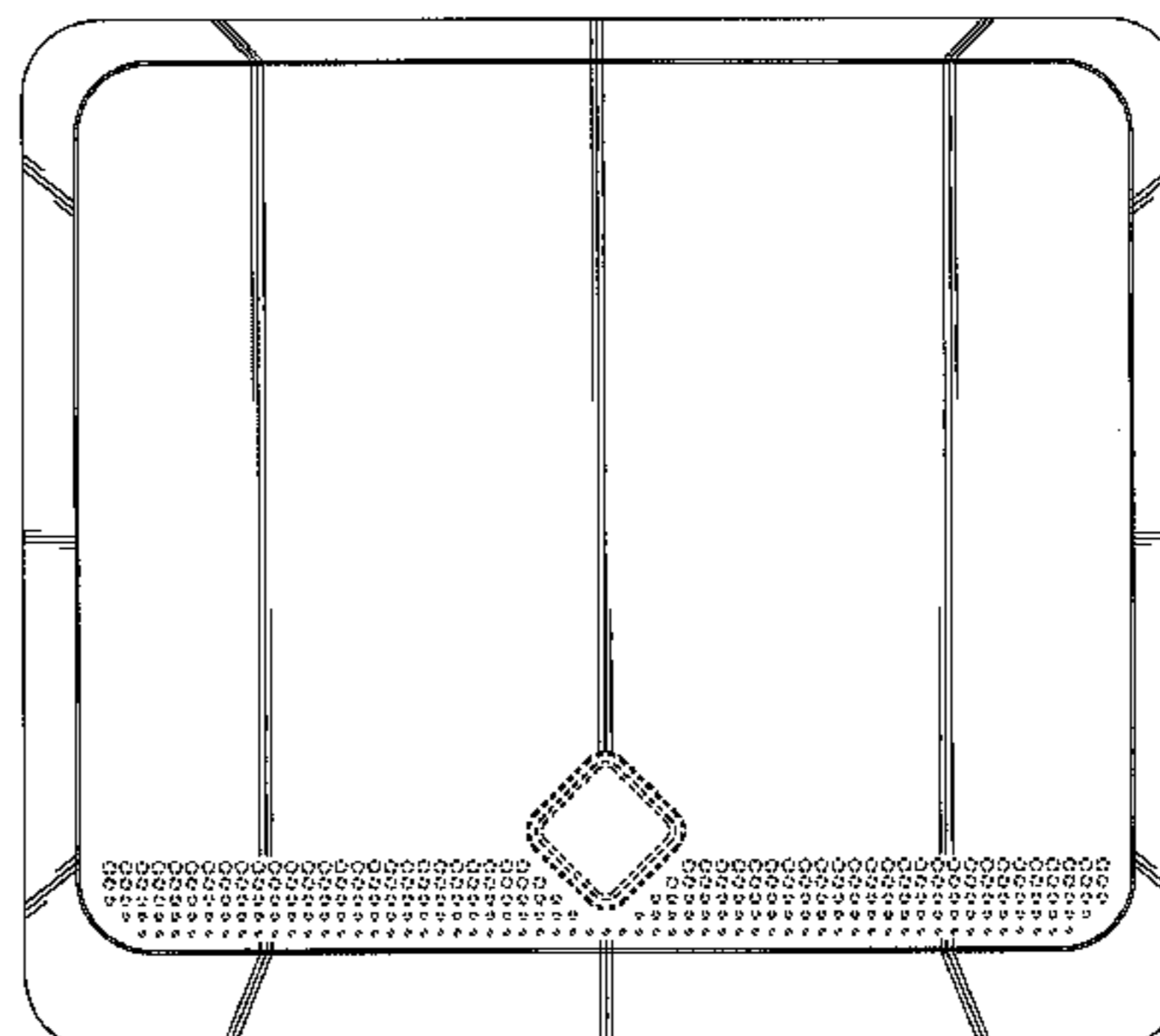
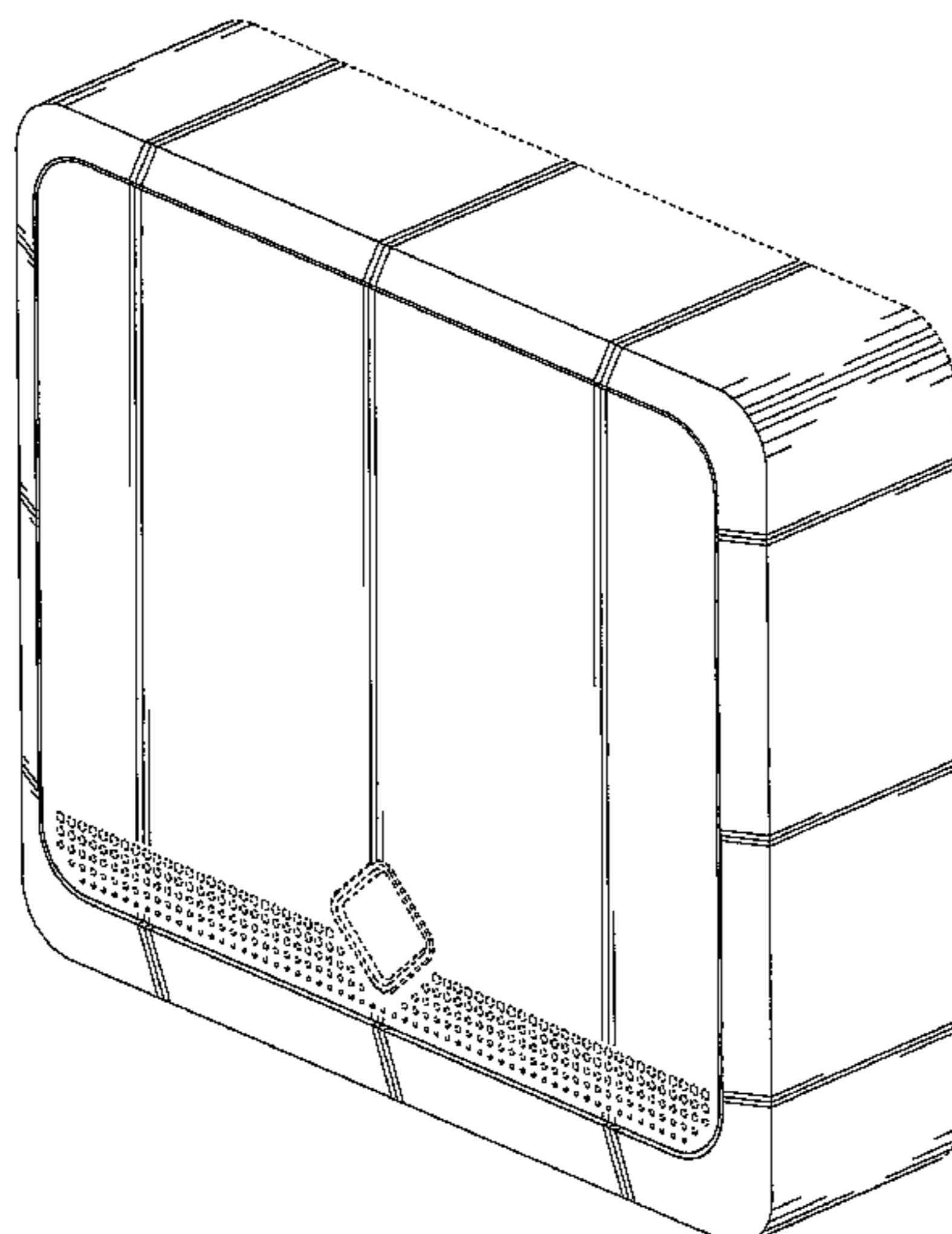
706,231	A	*	8/1902	Goldman	232/1 D
928,483	A	*	7/1909	Wakeman	292/144
D47,129	S	*	3/1915	Brunhoff	D99/34
D54,763	S	*	3/1920	Nutry	D99/37
D89,549	S	*	3/1933	Breck	D99/35
D129,939	S	*	10/1941	Kodama	D99/36
D130,131	S	*	10/1941	Pfleger	D6/311
D169,773	S	*	6/1953	Maage	D99/36
2,755,748	A	*	7/1956	Abell, Jr.	109/52
D183,094	S	*	6/1958	Heath	D99/34
3,080,963	A	*	3/1963	Rothgart	206/0.84
3,342,407	A	*	9/1967	Riegraf	232/4 R
D247,728	S	*	4/1978	Nichols	D6/559
D266,199	S	*	9/1982	Schattner et al.	D99/28
4,474,116	A	*	10/1984	Castenada et al.	109/51
D281,920	S	*	12/1985	Lacka	D99/28
4,573,332	A	*	3/1986	Ma	70/30
D304,345	S	*	10/1989	Foran et al.	D19/75
D393,526	S	*	4/1998	Robey et al.	D99/28
D399,632	S	*	10/1998	Davis et al.	D99/28
6,006,558	A	*	12/1999	Peters	70/63

(57) **CLAIM**
 I claim the ornamental design for a safe, as shown and described.

DESCRIPTION

FIG. 1 is a front perspective view of a safe showing my new design;
 FIG. 2 is a top view thereof;
 FIG. 3 is a front view thereof;
 FIG. 4 is a bottom view thereof;
 FIG. 5 is a rear view thereof;
 FIG. 6 is a right side view thereof; and,
 FIG. 7 is a left side view thereof.
 The portions of the Figures shown in phantom lines are for illustrative purpose only and form no part of the claimed design.

1 Claim, 4 Drawing Sheets



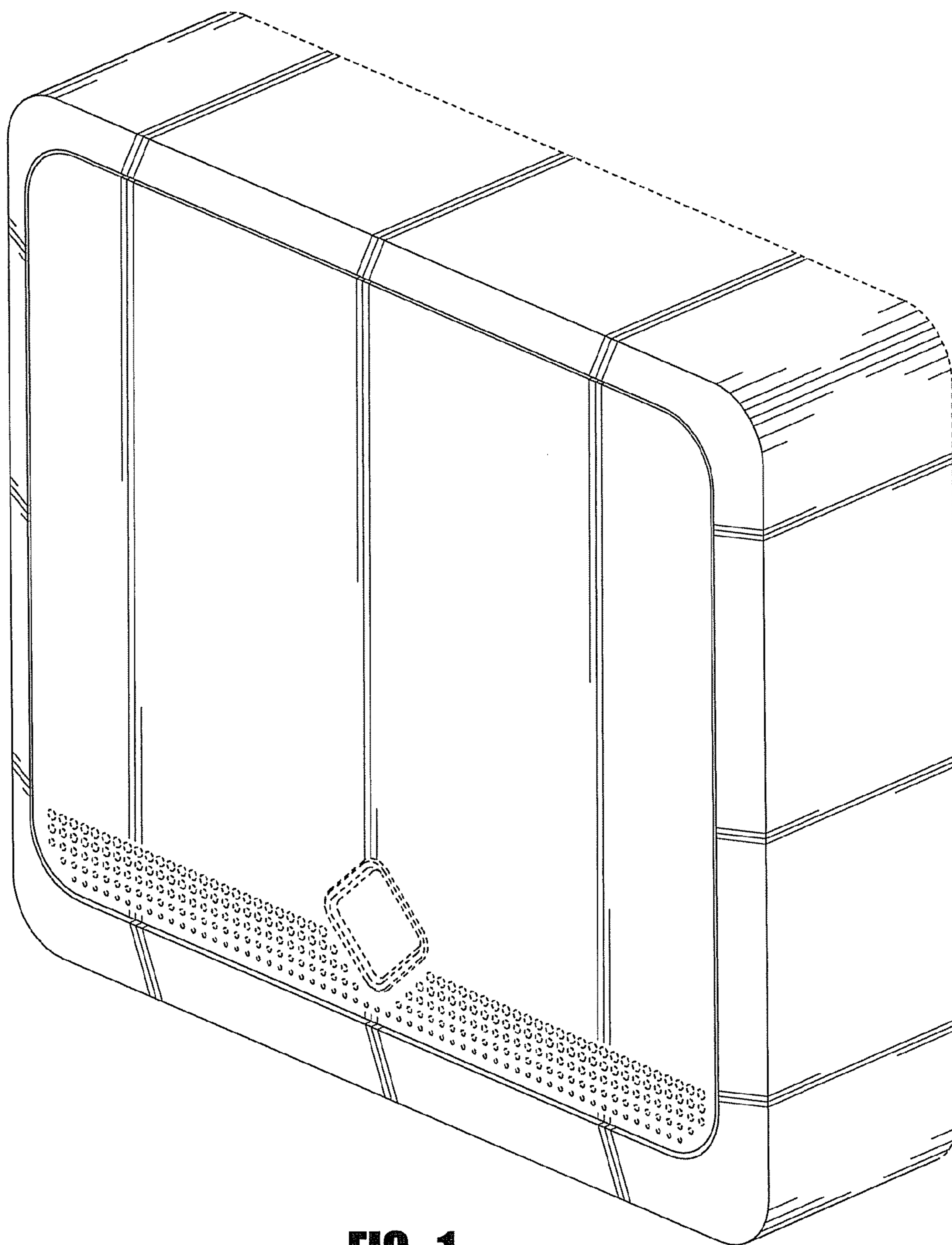


FIG. 1

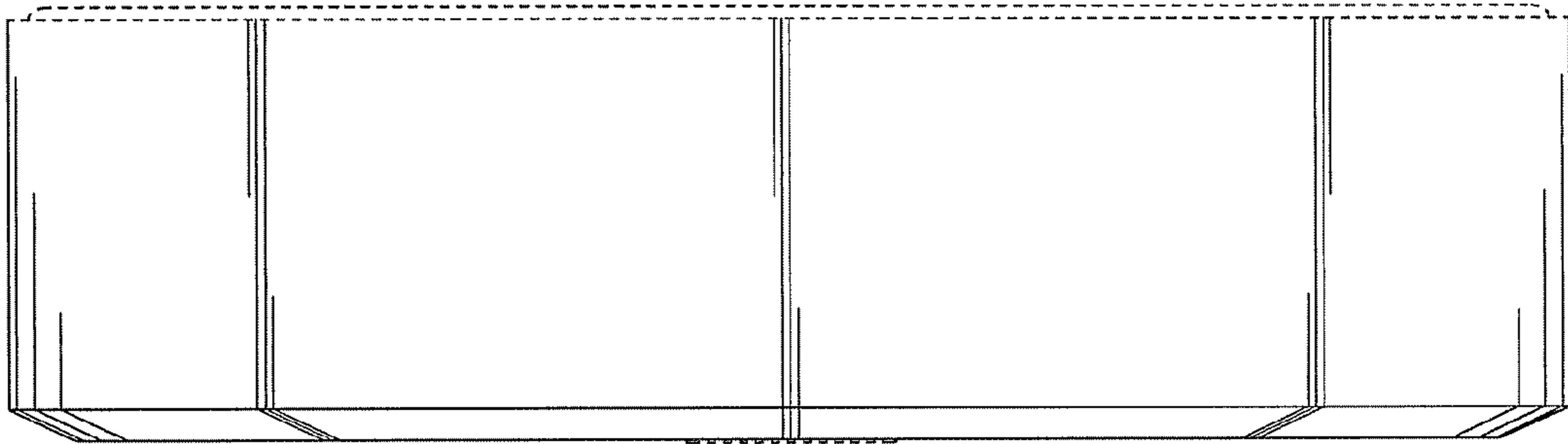


FIG. 2

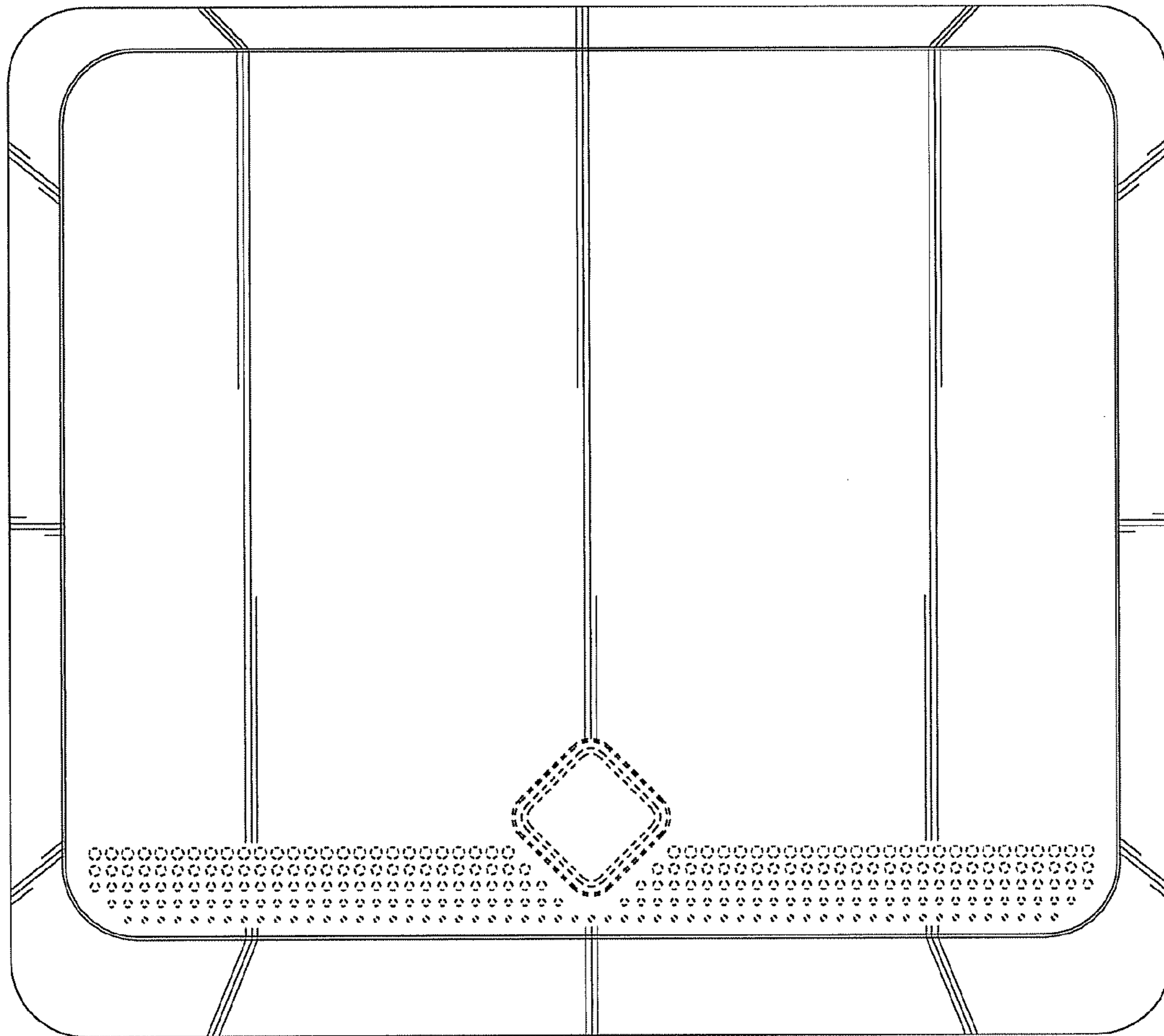


FIG. 3

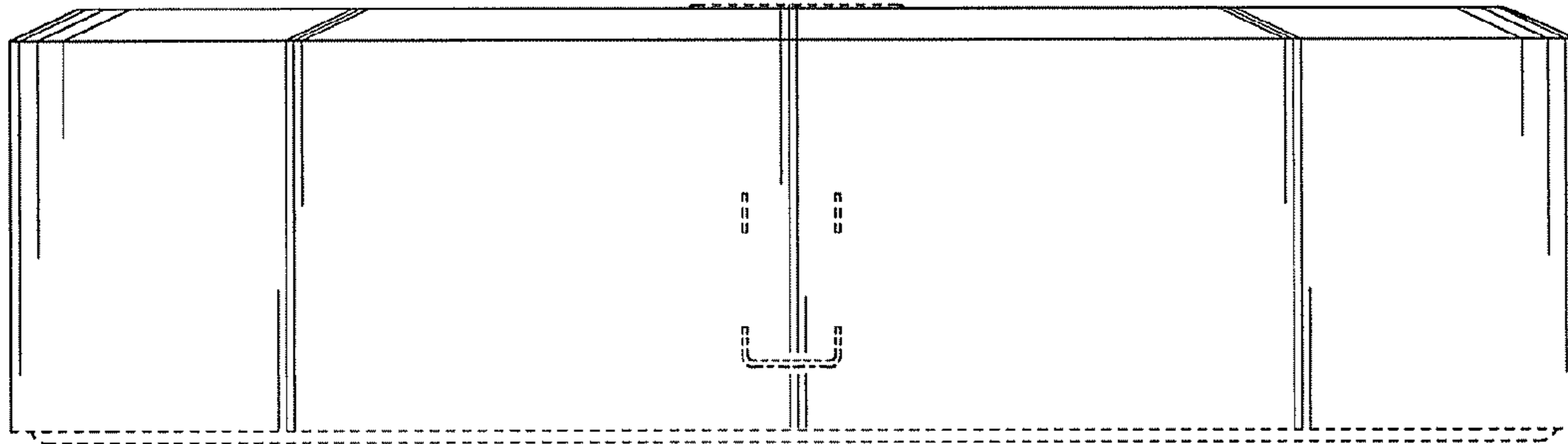


FIG. 4

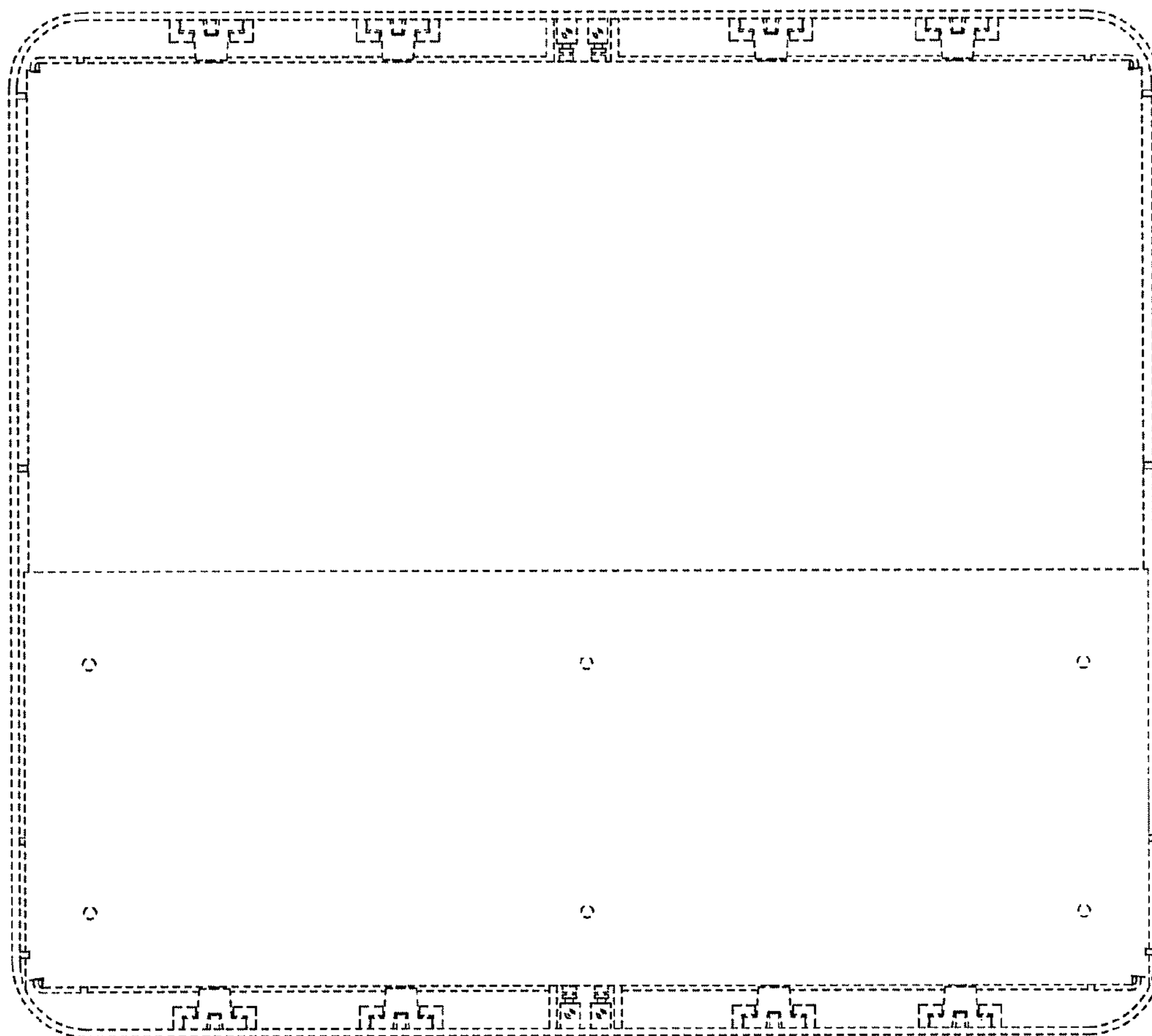


FIG. 5

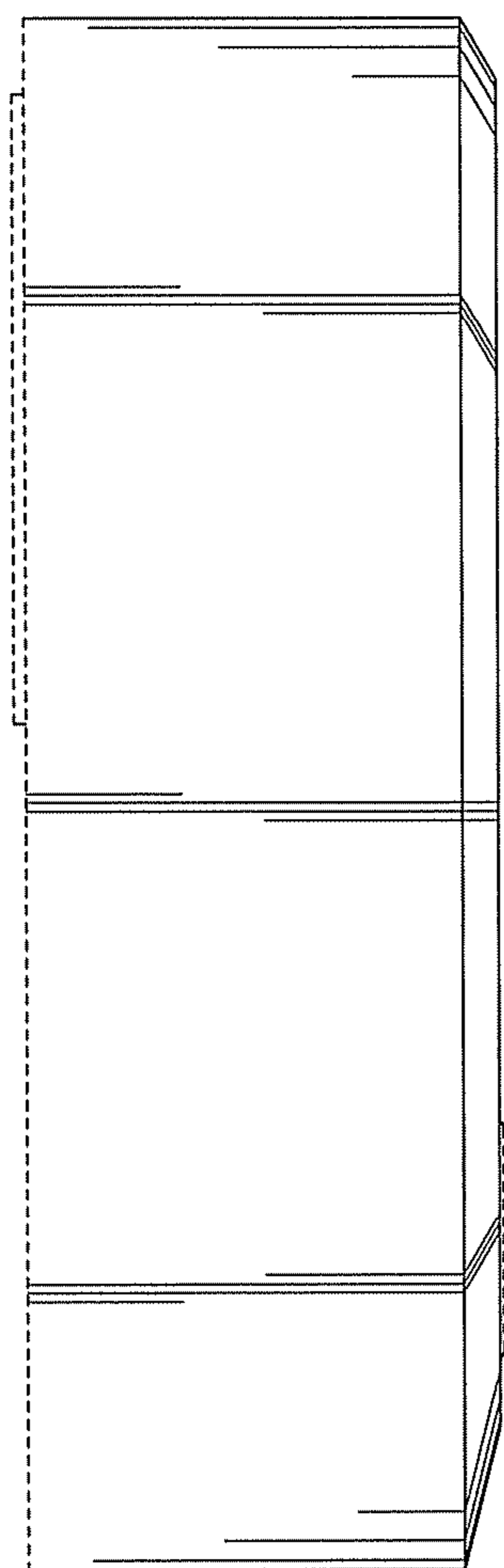


FIG. 6

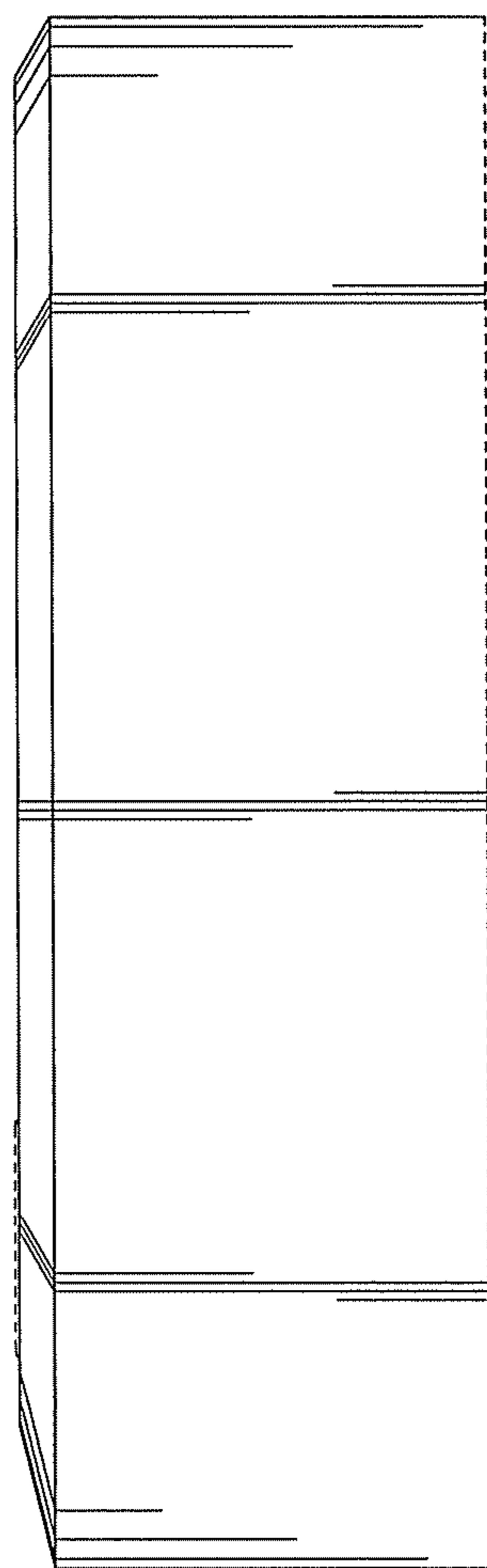


FIG. 7