



US00D635322S

(12) **United States Design Patent**
Knighton

(10) **Patent No.:** **US D635,322 S**

(45) **Date of Patent:** **** Mar. 29, 2011**

(54) **DRUM**

(75) Inventor: **Lance John Knighton**, Hamilton (NZ)

(73) Assignee: **Alto Packaging Limited**, Auckland (NZ)

(**) Term: **14 Years**

(21) Appl. No.: **29/347,068**

(22) Filed: **Sep. 11, 2009**

(30) **Foreign Application Priority Data**

Mar. 11, 2009 (NZ) 412014

(51) **LOC (9) Cl.** **09-02**

(52) **U.S. Cl.** **D34/39**

(58) **Field of Classification Search** D34/39;
220/601, DIG. 1, 711, 712, 254.1, 254.3,
220/831, 908

See application file for complete search history.

(56) **References Cited**

U.S. PATENT DOCUMENTS

4,088,239 A * 5/1978 Uhlig 220/649
4,209,104 A * 6/1980 Speas 220/646
4,228,911 A * 10/1980 Hammes 220/675
D293,954 S * 1/1988 Moore D34/39

D319,134 S * 8/1991 Pryztulla D34/39
D335,745 S * 5/1993 Schilthuizen D34/39
D568,025 S * 4/2008 Schutz D34/39
D574,574 S * 8/2008 Bax D34/39
D603,575 S * 11/2009 Kerman et al. D34/39
2009/0218358 A1 * 9/2009 Schutz 220/601
2010/0072212 A1 * 3/2010 Howard et al. 220/600

* cited by examiner

Primary Examiner — Cynthia E Ramirez

(74) *Attorney, Agent, or Firm* — Jacobson Holman PLLC

(57) **CLAIM**

The ornamental design for a drum, as shown and described.

DESCRIPTION

FIG. 1 is a front perspective view of the drum embodying my design;

FIG. 2 is a top plan view of FIG. 1;

FIG. 3 is a bottom view of FIG. 1;

FIG. 4 is a left side elevational view of FIG. 1;

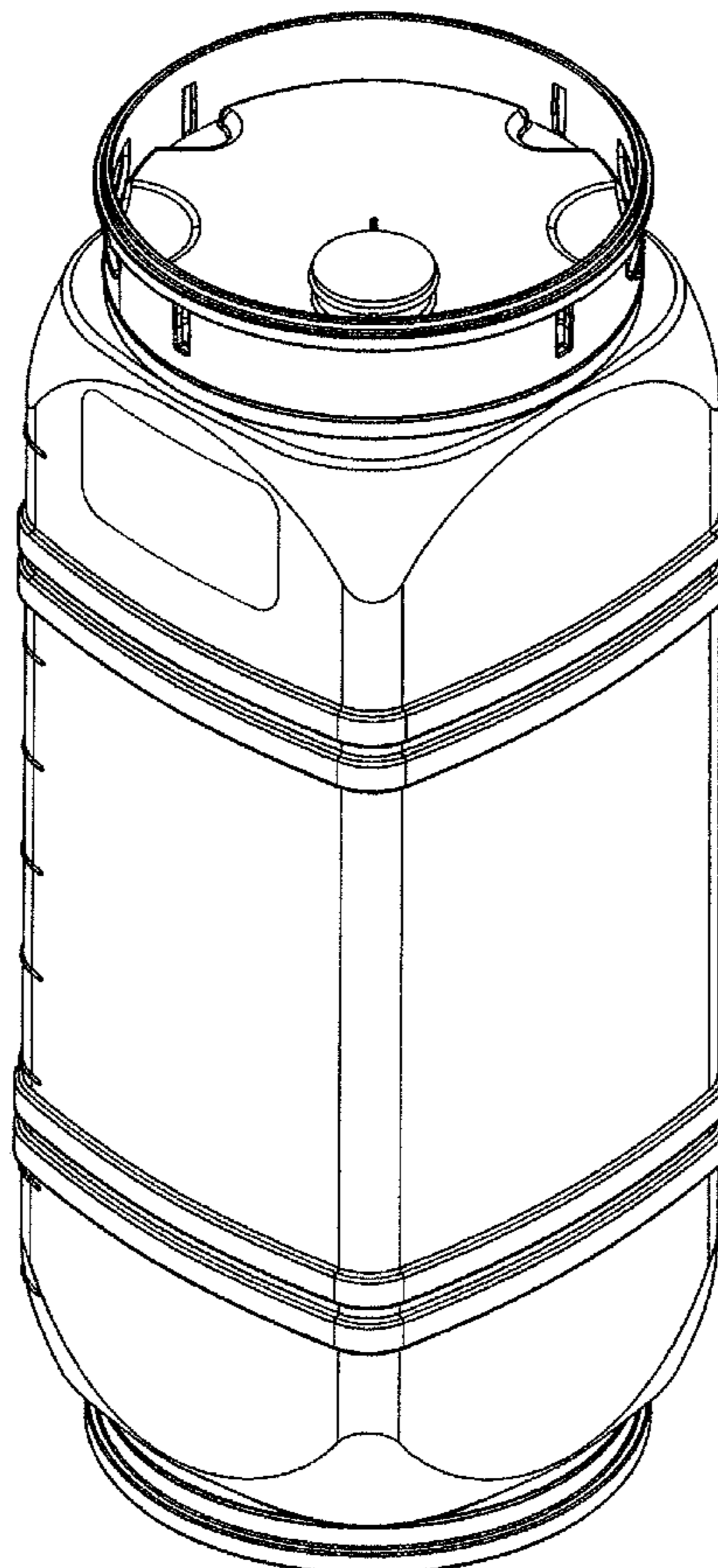
FIG. 5 is a front elevational view of FIG. 1;

FIG. 6 is a right side elevational view of FIG. 1; and,

FIG. 7 is a rear elevational view of FIG. 1.

The elements shown in broken line in FIG. 3 are not part of the claimed design.

1 Claim, 6 Drawing Sheets



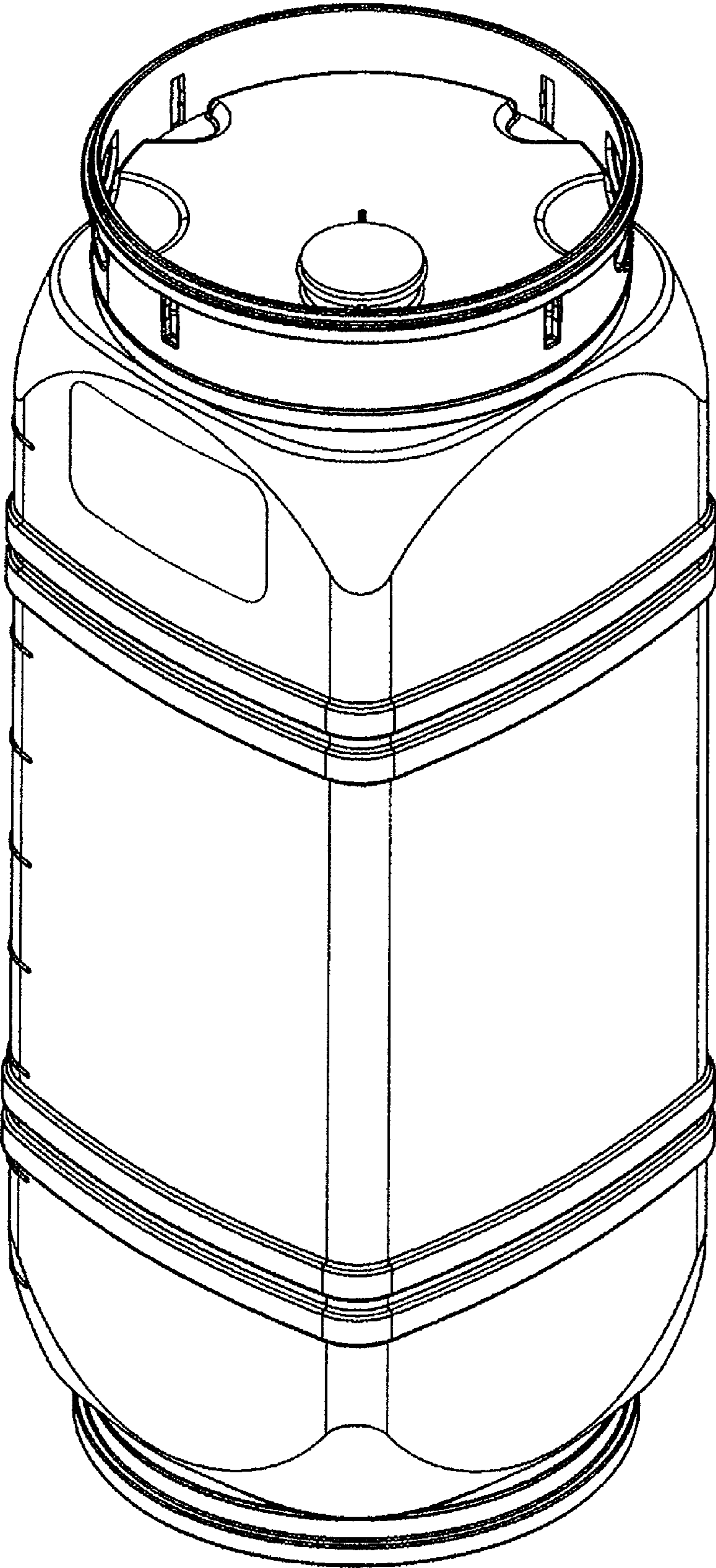


FIGURE 1

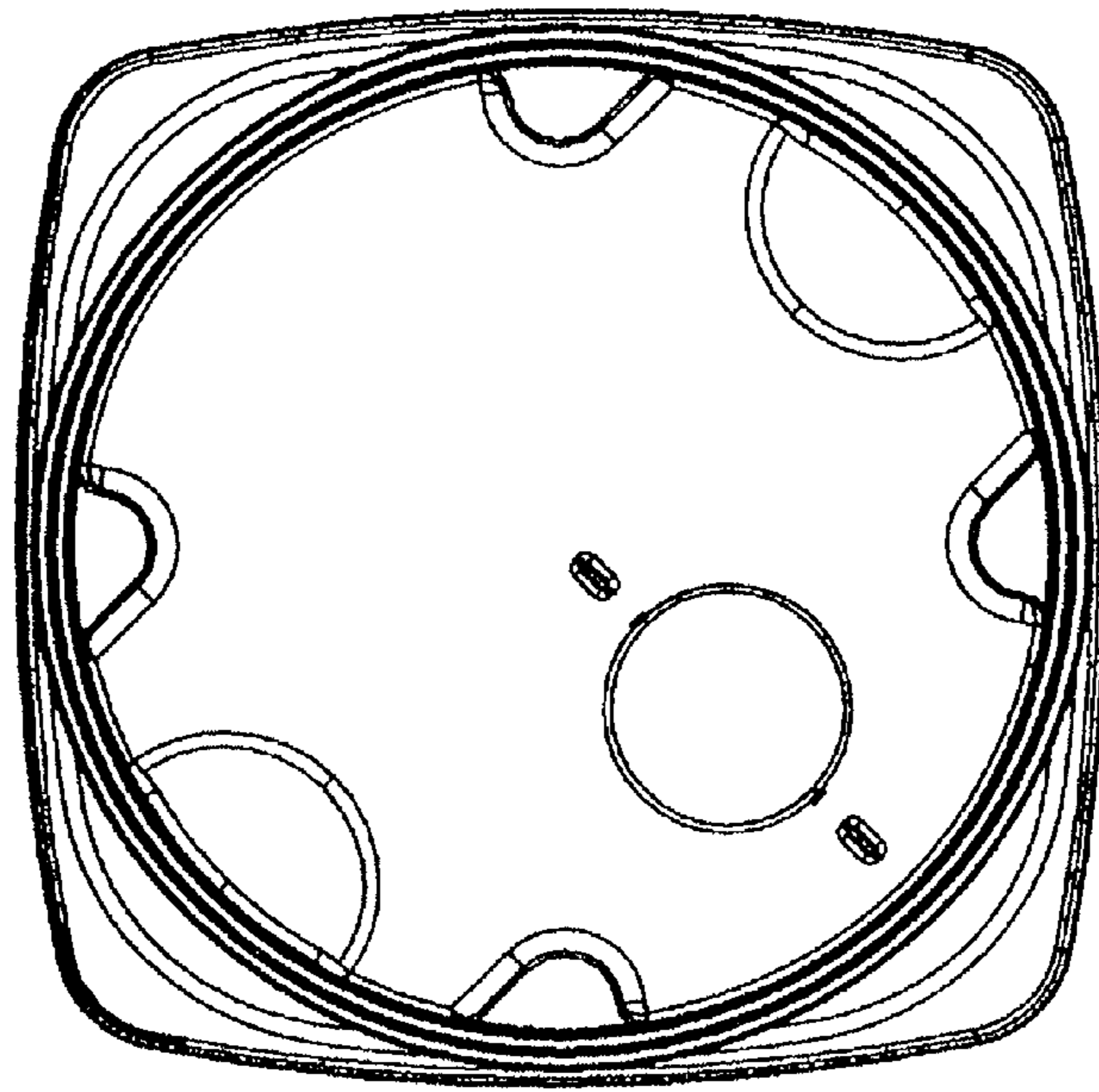


FIGURE 2

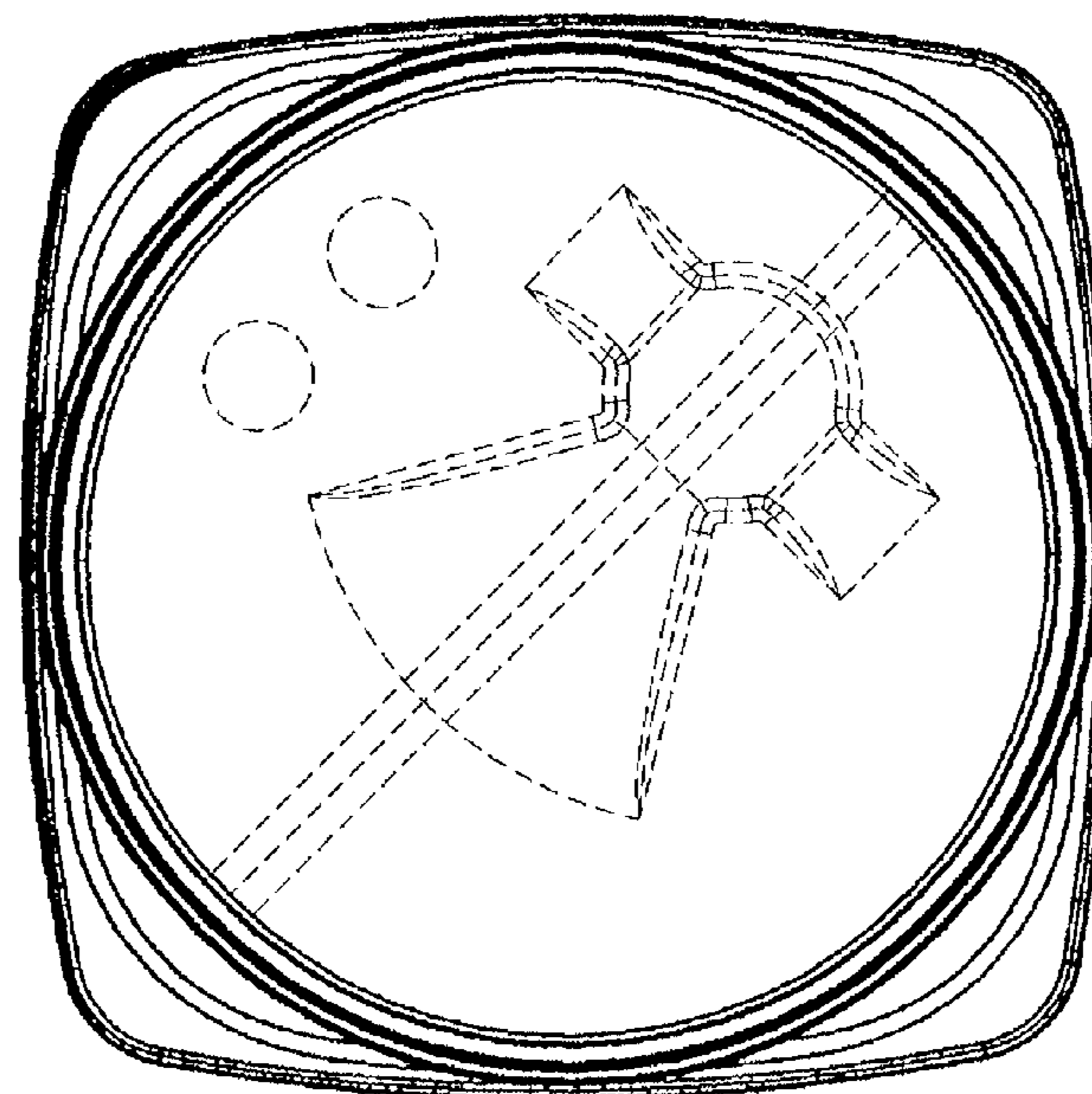


FIGURE 3

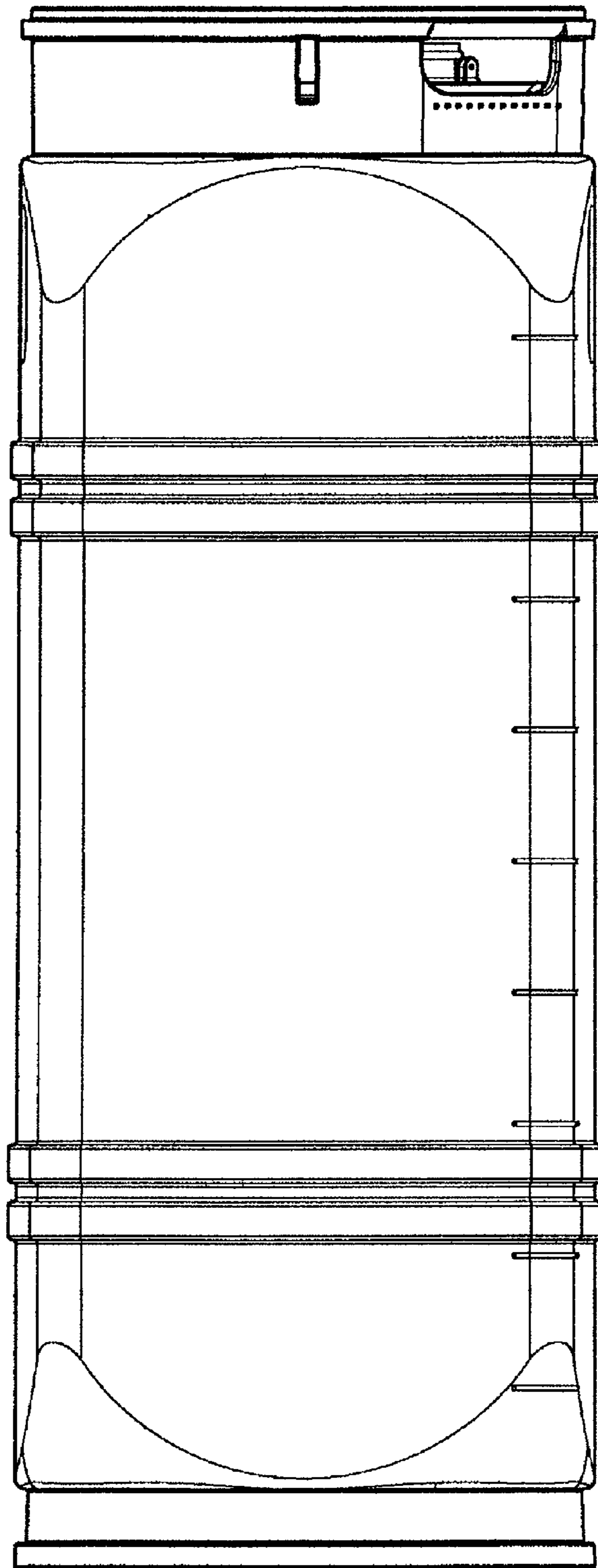


FIGURE 4

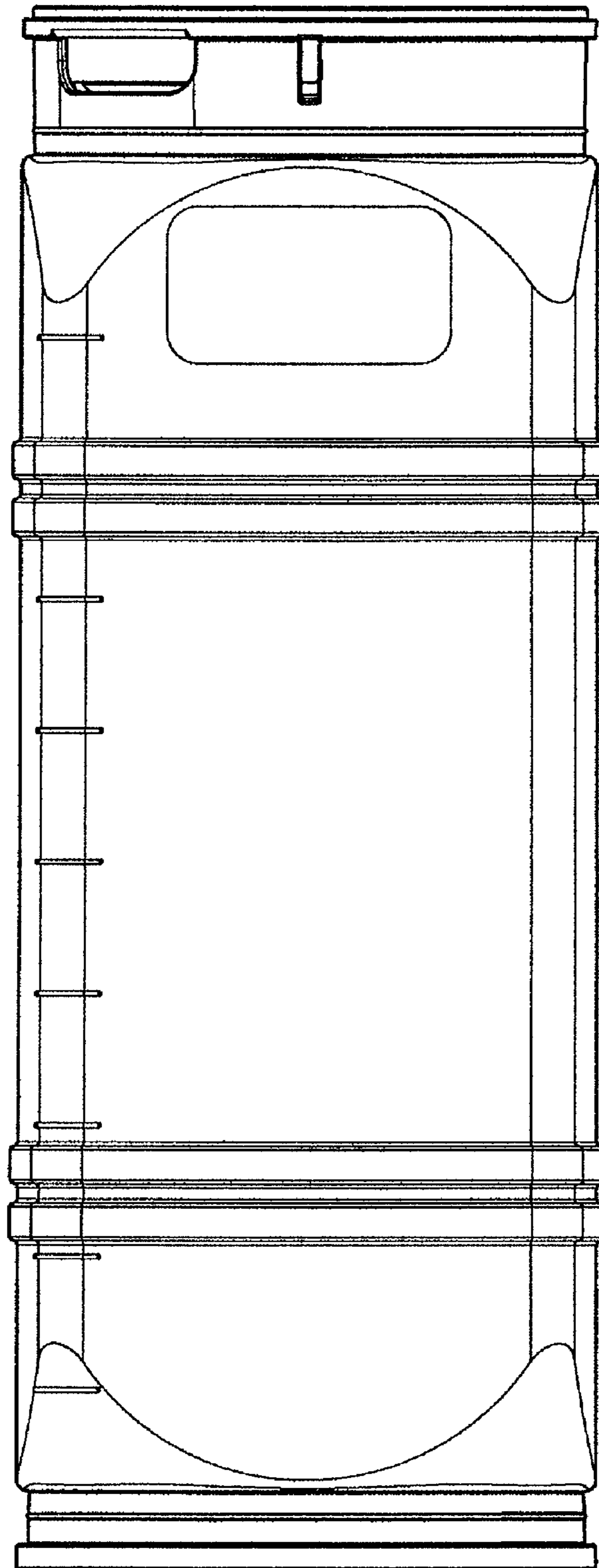


FIGURE 5

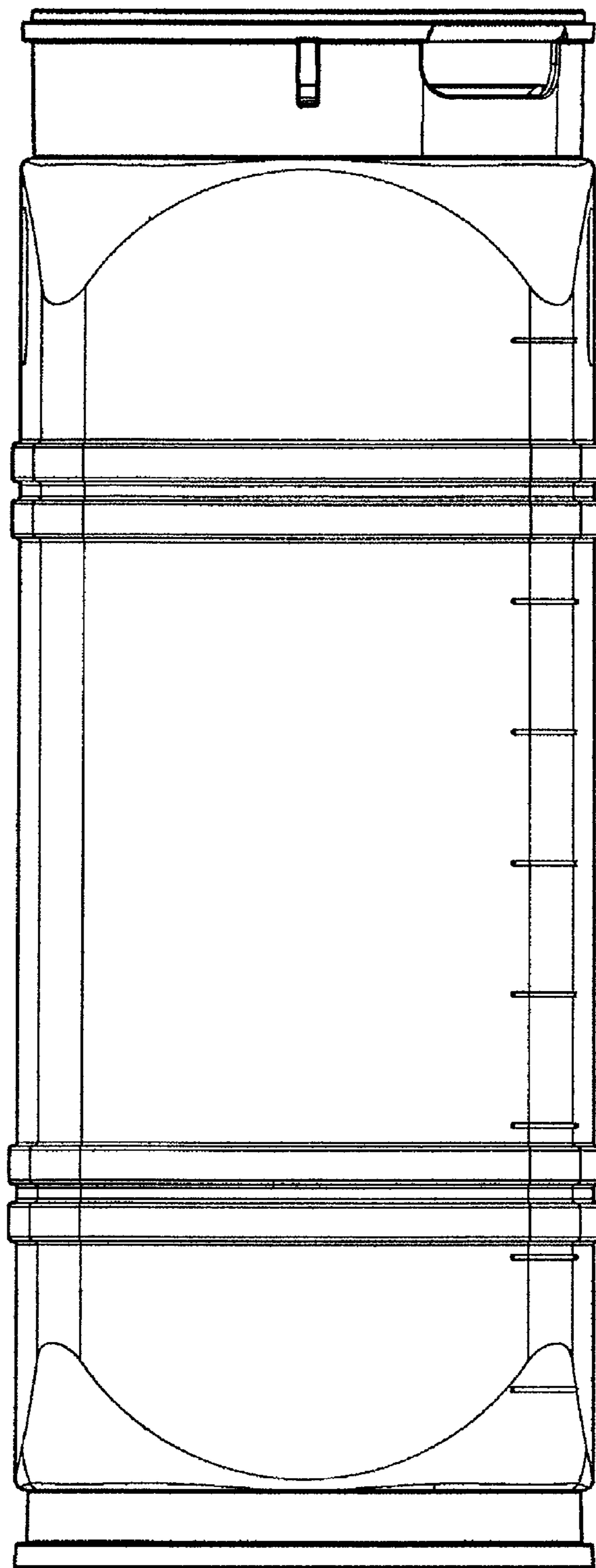


FIGURE 6

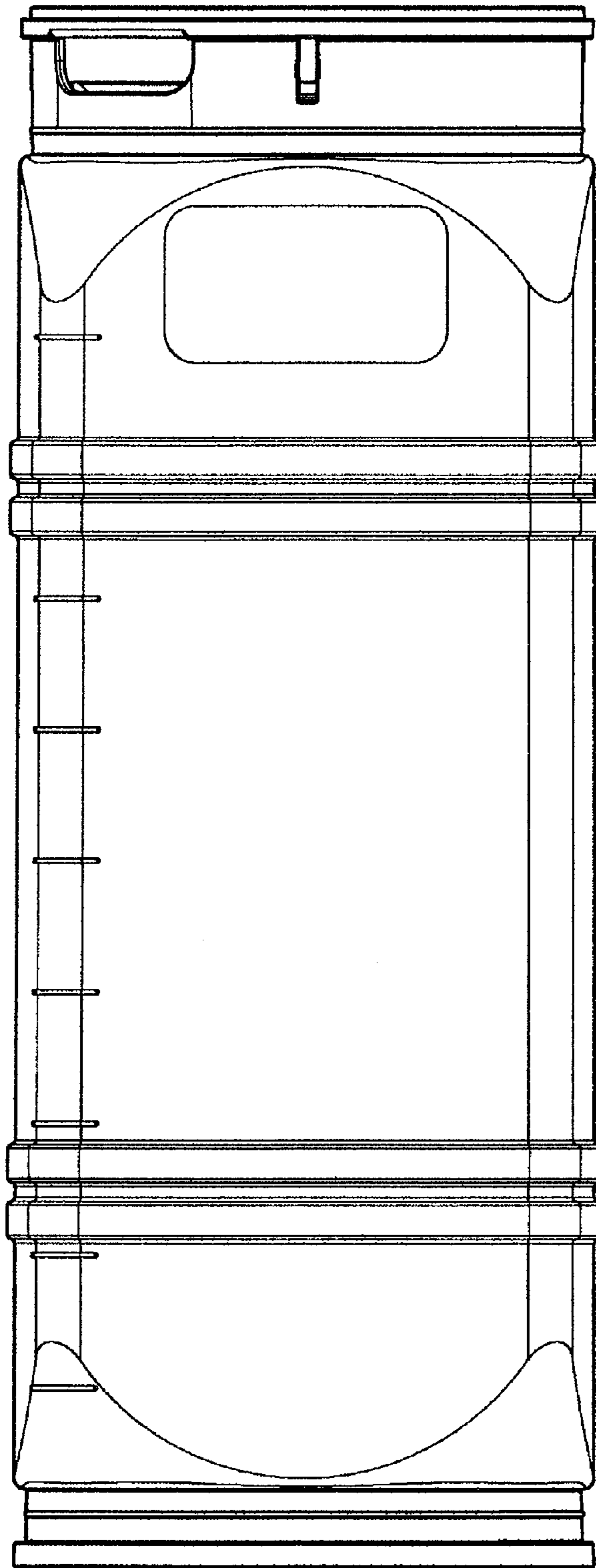


FIGURE 7