



US00D635315S

(12) **United States Design Patent**  
**Wertz**

(10) **Patent No.:** **US D635,315 S**  
(45) **Date of Patent:** **\*\* \*Mar. 29, 2011**

(54) **SQUEEGEE NOZZLE**

(76) Inventor: **Robert Wertz**, Salt Lake City, UT (US)

(\*) Notice: This patent is subject to a terminal disclaimer.

(\*\*) Term: **14 Years**

(21) Appl. No.: **29/315,386**

(22) Filed: **Jun. 22, 2009**

(51) **LOC (9) Cl.** ..... **15-05**

(52) **U.S. Cl.** ..... **D32/32**

(58) **Field of Classification Search** ..... D32/31-34;  
15/414-422.1, 236.04, 144.4, 144.3, 406,  
15/104.05, 383, 377, 412, 400-402, 387,  
15/322, 344

See application file for complete search history.

(56) **References Cited**

**U.S. PATENT DOCUMENTS**

3,571,841	A *	3/1971	Crouser	.....	15/401
D223,173	S *	3/1972	Howard et al.	.....	D32/32
D232,298	S *	8/1974	Jones	.....	D32/32
D246,523	S *	11/1977	Bartlett	.....	D32/32
D255,359	S *	6/1980	Bartlett	.....	D32/32
4,557,013	A *	12/1985	Belmont	.....	15/401
4,879,784	A *	11/1989	Shero	.....	15/322

D306,506	S *	3/1990	Houser	.....	D32/33
4,989,294	A *	2/1991	Fischer	.....	15/415.1
5,555,599	A *	9/1996	Markley	.....	15/322
D424,766	S *	5/2000	Martin	.....	D32/32
D518,259	S *	3/2006	Wertz	.....	D32/33
D569,564	S *	5/2008	Labarbera	.....	D32/32
D599,065	S *	8/2009	Roschi	.....	D32/32
2008/0196198	A1 *	8/2008	Labarbera et al.	.....	15/415.1

\* cited by examiner

*Primary Examiner* — Ruth McInroy

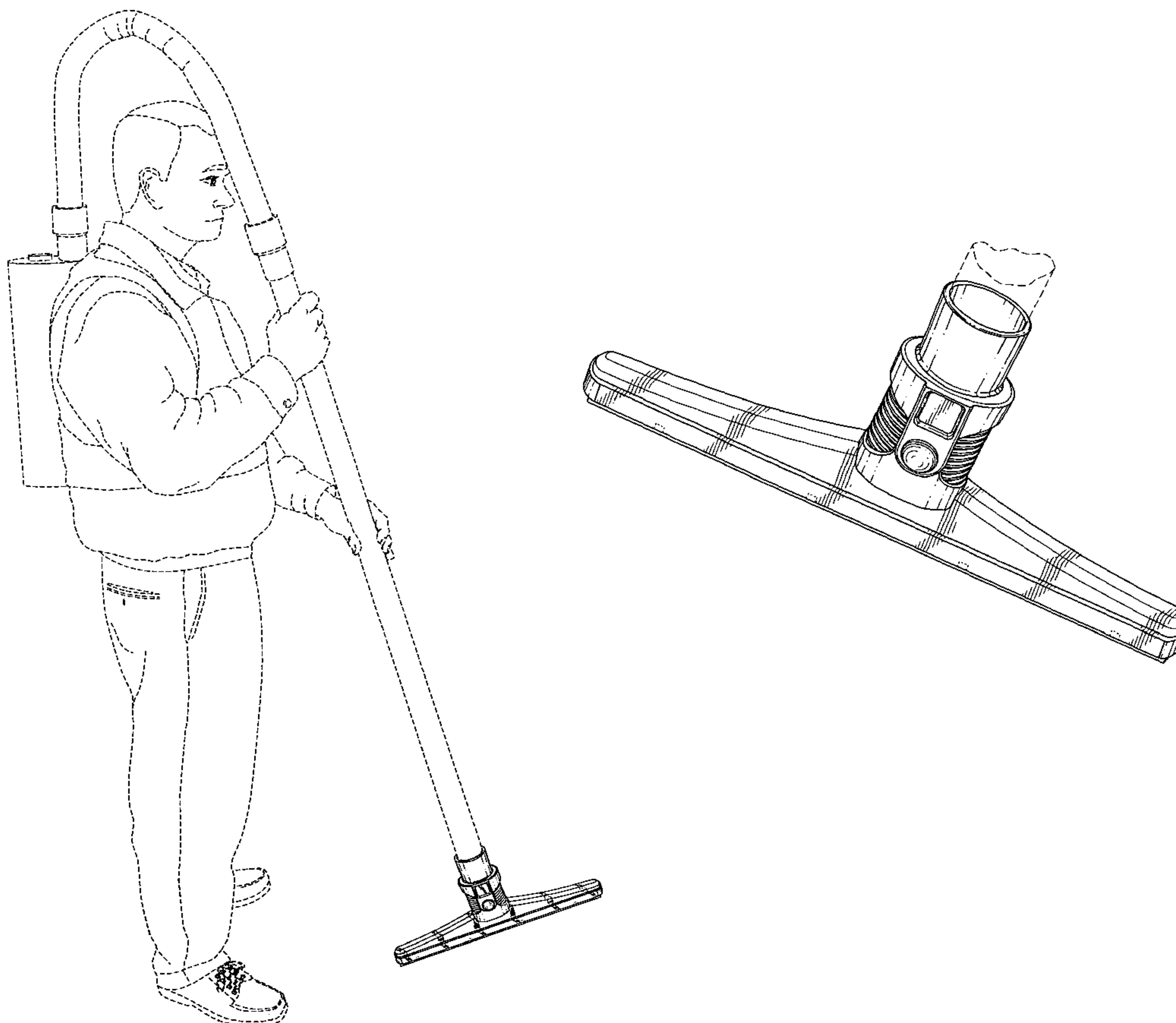
(57) **CLAIM**

The ornamental design for a squeegee nozzle, as shown and described.

**DESCRIPTION**

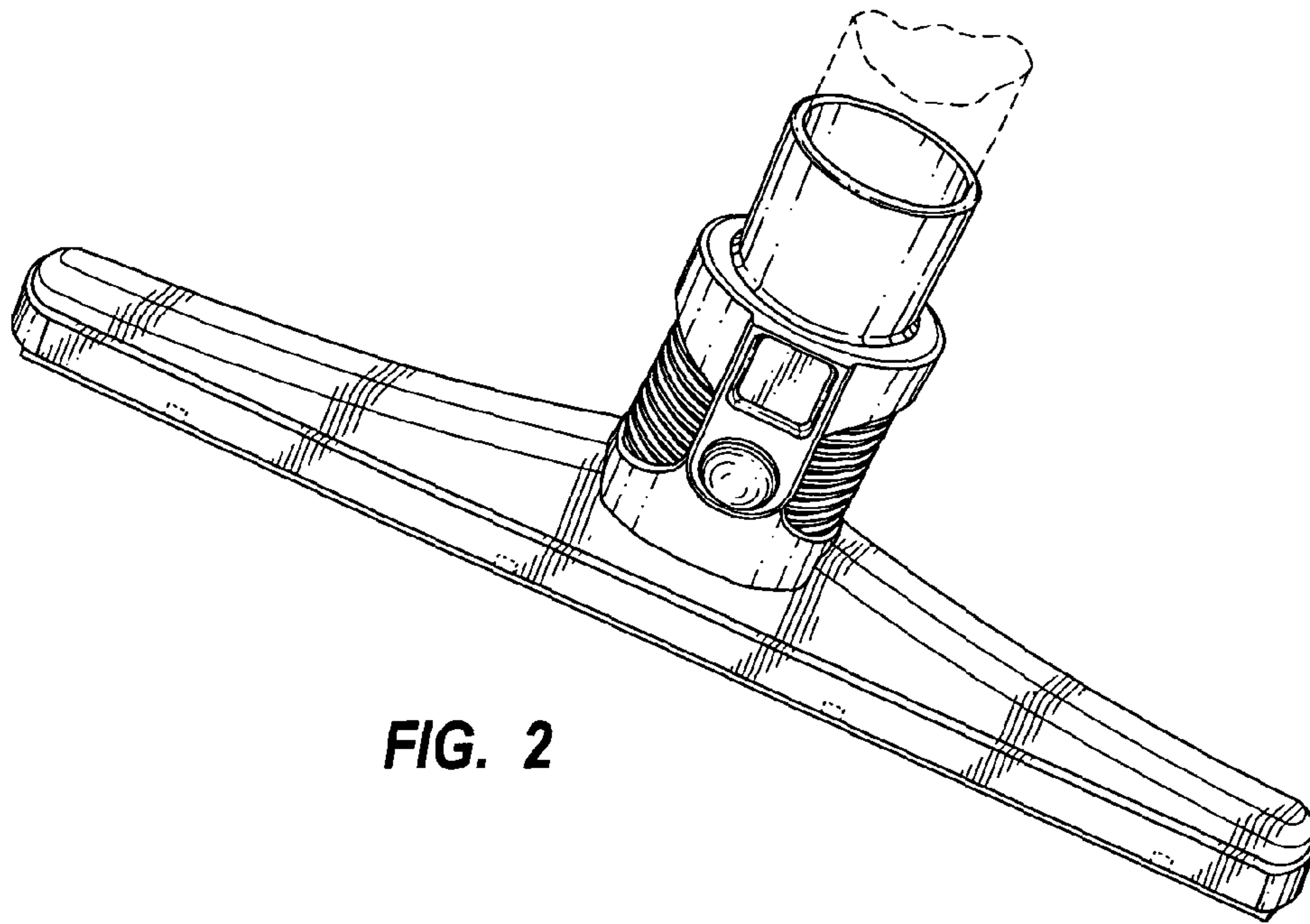
FIG. 1 is a perspective view of a squeegee nozzle showing my new design;  
FIG. 2 is a top, front and side perspective view thereof;  
FIG. 3 is a front elevation view thereof;  
FIG. 4 is an end elevation view thereof, the opposite side being a mirror image;  
FIG. 5 is a top plan view thereof; and,  
FIG. 6 is a bottom plan view thereof.  
The details shown in broken lines form no part of the claimed design.

**1 Claim, 2 Drawing Sheets**

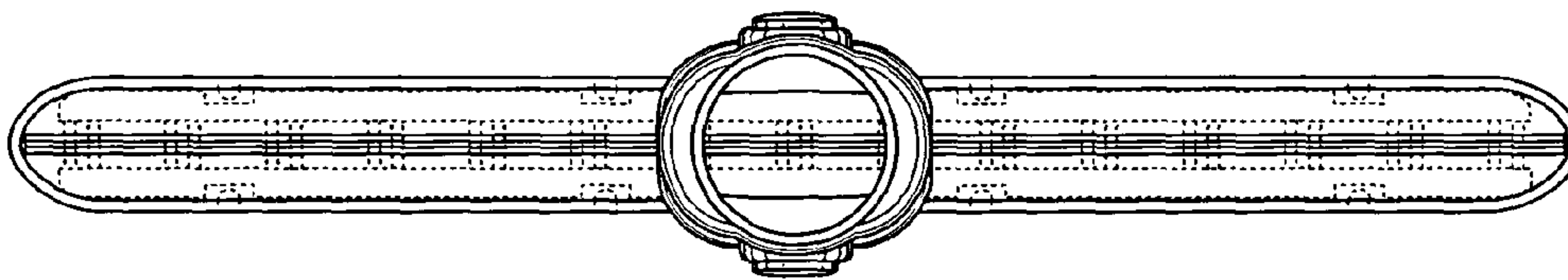




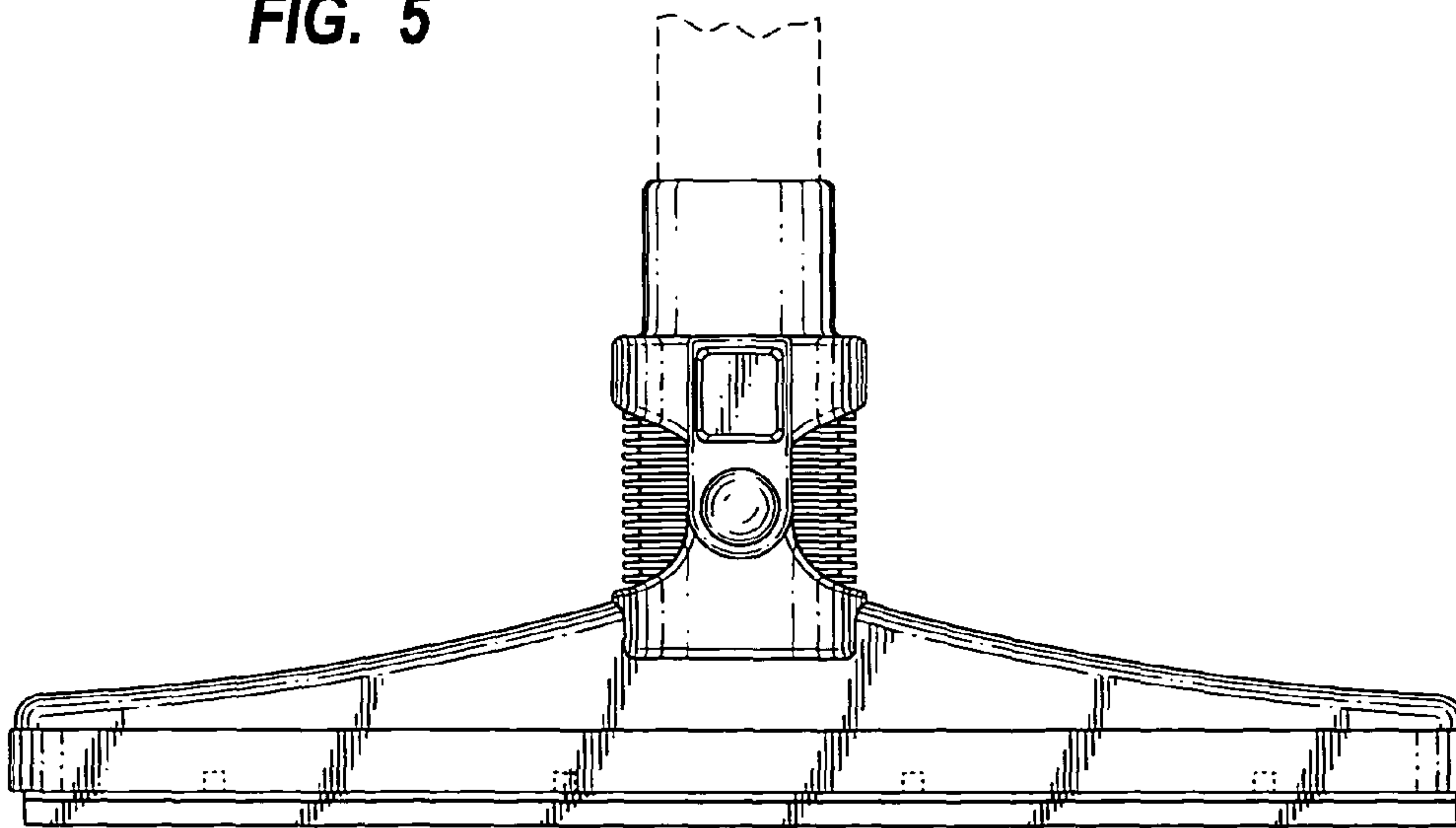
**FIG. 1**



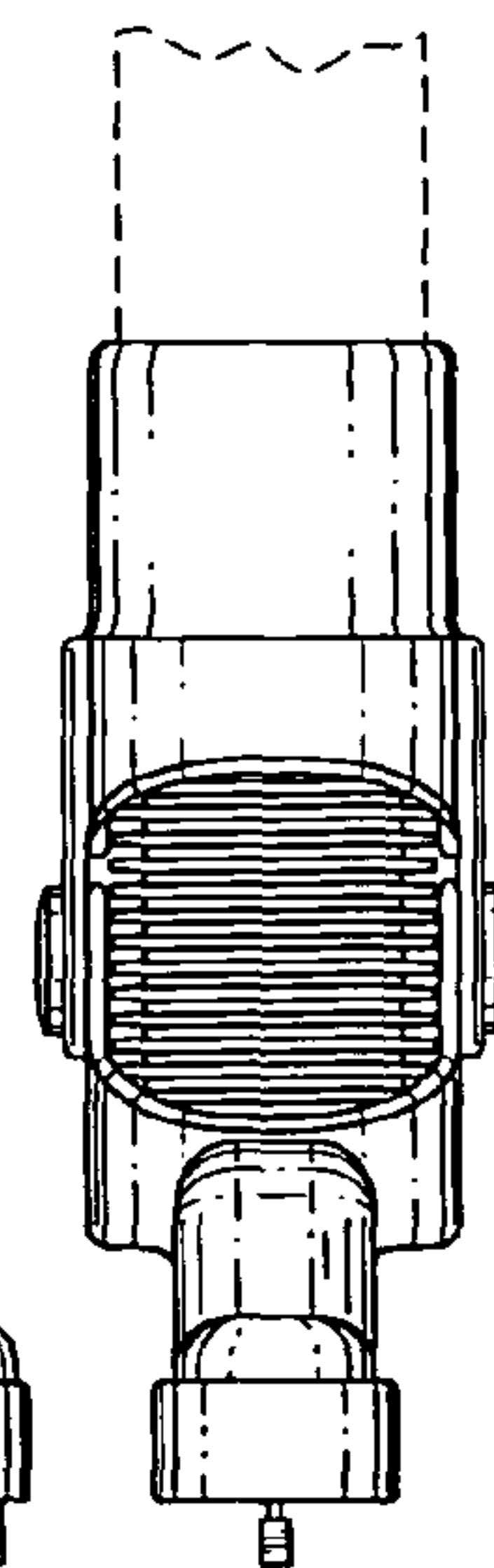
**FIG. 2**



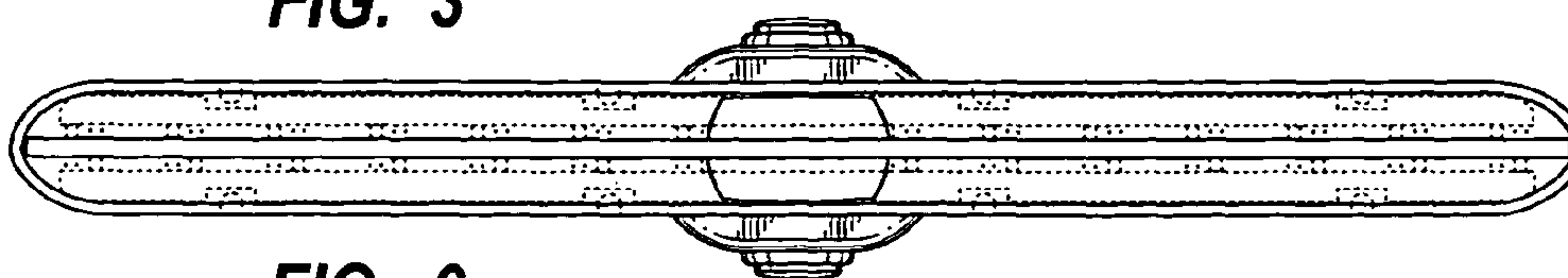
**FIG. 5**



**FIG. 3**



**FIG. 4**



**FIG. 6**