



US00D635314S

(12) **United States Design Patent**
Nelson

(10) **Patent No.:** **US D635,314 S**
(45) **Date of Patent:** **** Mar. 29, 2011**

(54) **LANDSCAPE SURFACE CLEANER**

(76) **Inventor:** **David N. Nelson**, Commerce City, CO
(US)

(**) **Term:** **14 Years**

(21) **Appl. No.:** **29/358,148**

(22) **Filed:** **Mar. 23, 2010**

Related U.S. Application Data

(63) Continuation-in-part of application No. 11/698,704, filed on Jan. 26, 2007, now abandoned, which is a continuation-in-part of application No. 10/649,978, filed on Aug. 26, 2003, now abandoned.

(51) **LOC (9) Cl.** **15-05**

(52) **U.S. Cl.** **D32/15**

(58) **Field of Classification Search** D32/1,
D32/15, 25; 15/1.7, 300.1, 303, 344-345,
15/405, 415.1

See application file for complete search history.

(56) **References Cited**

U.S. PATENT DOCUMENTS

2,351,507	A *	6/1944	Hallock	15/415.1
3,294,434	A	12/1966	Sinn		
3,940,827	A *	3/1976	Greco	15/328
5,088,860	A *	2/1992	Stockdale et al.	406/153
5,096,337	A	3/1992	Denton		
5,535,479	A	7/1996	Pink et al.		
5,655,245	A	8/1997	Bunch		
5,741,093	A	4/1998	Schonberg et al.		

6,499,432	B2	12/2002	Ogawa		
6,834,413	B2	12/2004	Sanders		
6,988,293	B2 *	1/2006	Ritter	15/347
7,257,858	B2 *	8/2007	Palazzolo	15/347
7,328,473	B2 *	2/2008	Deklinski	15/1.7
7,636,975	B2 *	12/2009	Mah et al.	15/1.7
2004/0158943	A1 *	8/2004	Popielarczyk et al.	15/1.7
2006/0064825	A1 *	3/2006	Reed	15/1.7

* cited by examiner

Primary Examiner — T. Chase Nelson

Assistant Examiner — Kathleen M Sims

(74) *Attorney, Agent, or Firm* — The Reilly Intellectual Property Law Firm, P.C.; Ellen Reilly; John E. Reilly

(57) **CLAIM**

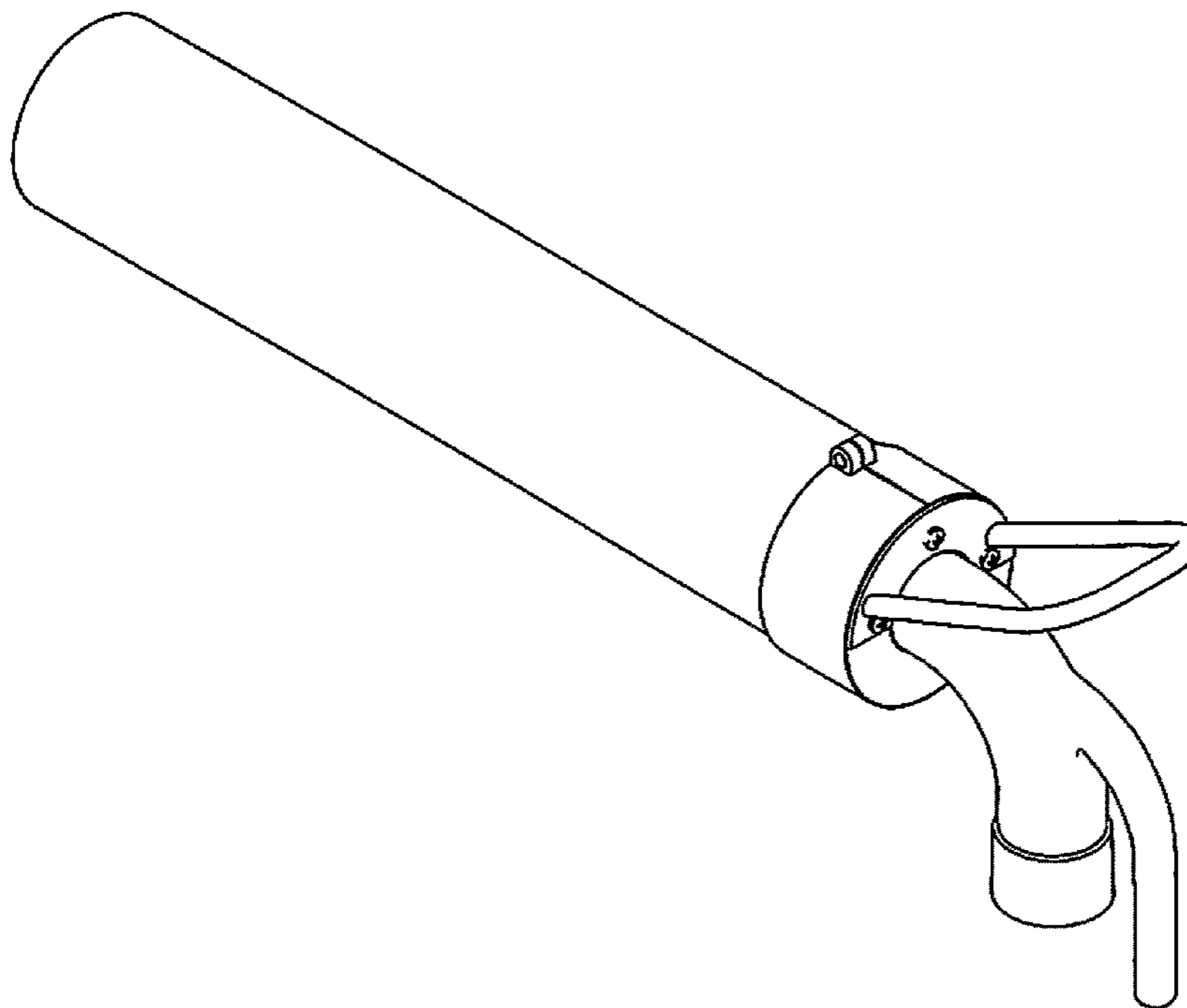
The ornamental design for a landscape surface cleaner, as shown and described.

DESCRIPTION

FIG. 1 is a front perspective view of a landscape surface cleaner showing my new design. FIG. 2 is a front view of FIG. 1; FIG. 3 is a back view of FIG. 1; FIG. 4 is a right side view of FIG. 1; FIG. 5 is a left side view of FIG. 1; FIG. 6 is a top plan view of FIG. 1; and, FIG. 7 is a bottom plan view of FIG. 1.

The broken line showing of screws in FIGS. 1-3 and the interior details shown in FIG. 3 is included for the purpose of showing environmental portion of the landscape surface cleaner and forms no part of the claimed design.

1 Claim, 6 Drawing Sheets



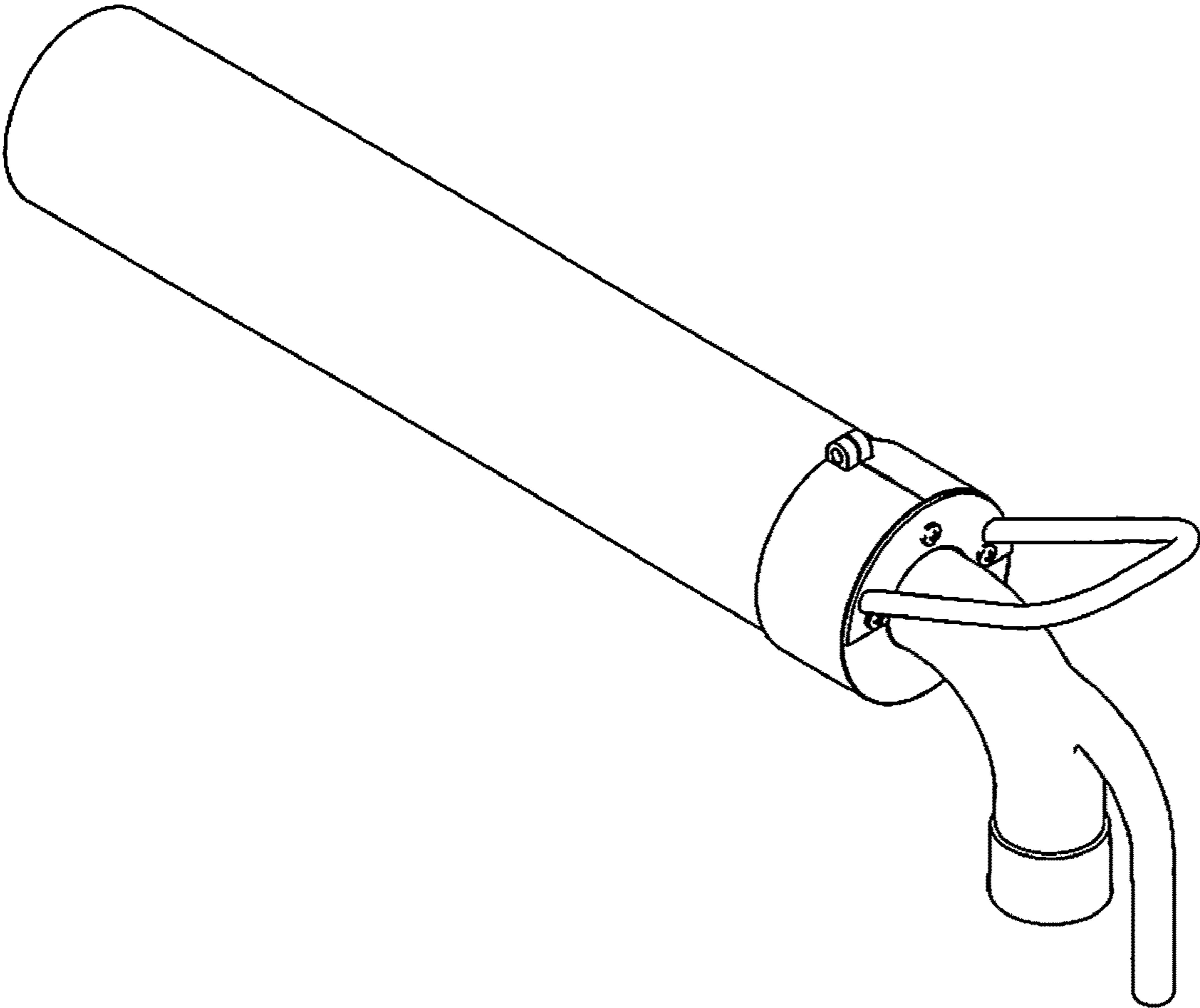


FIG. 1

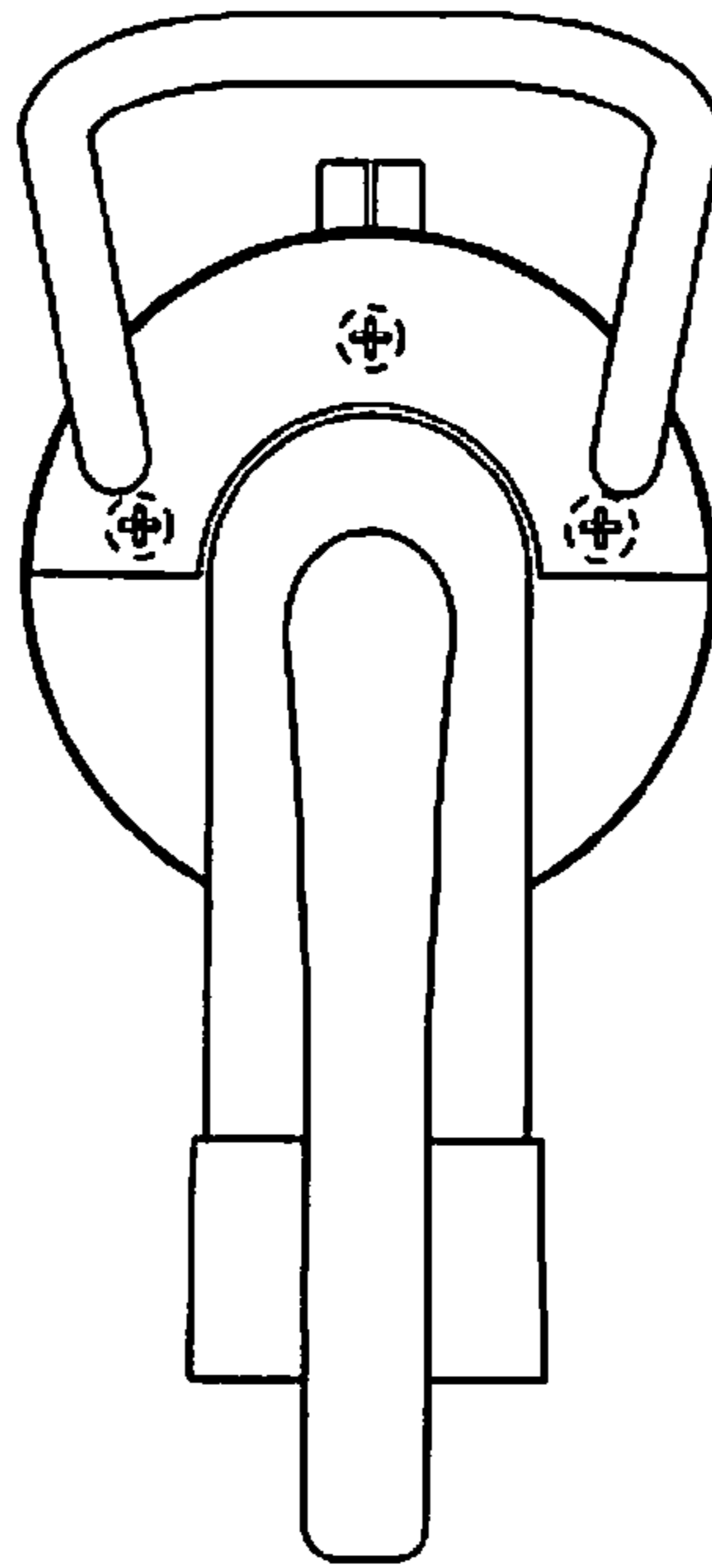


FIG. 2

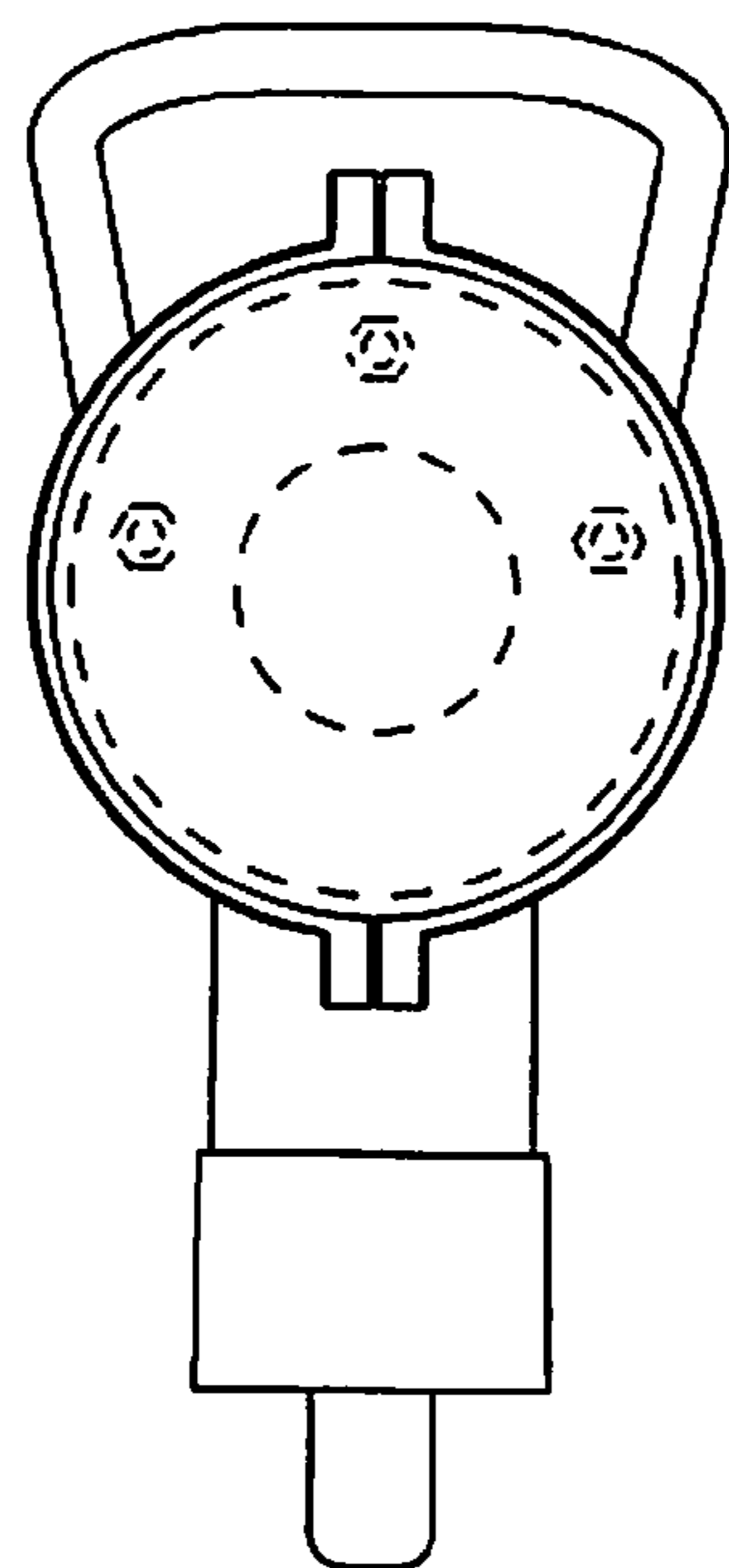


FIG. 3

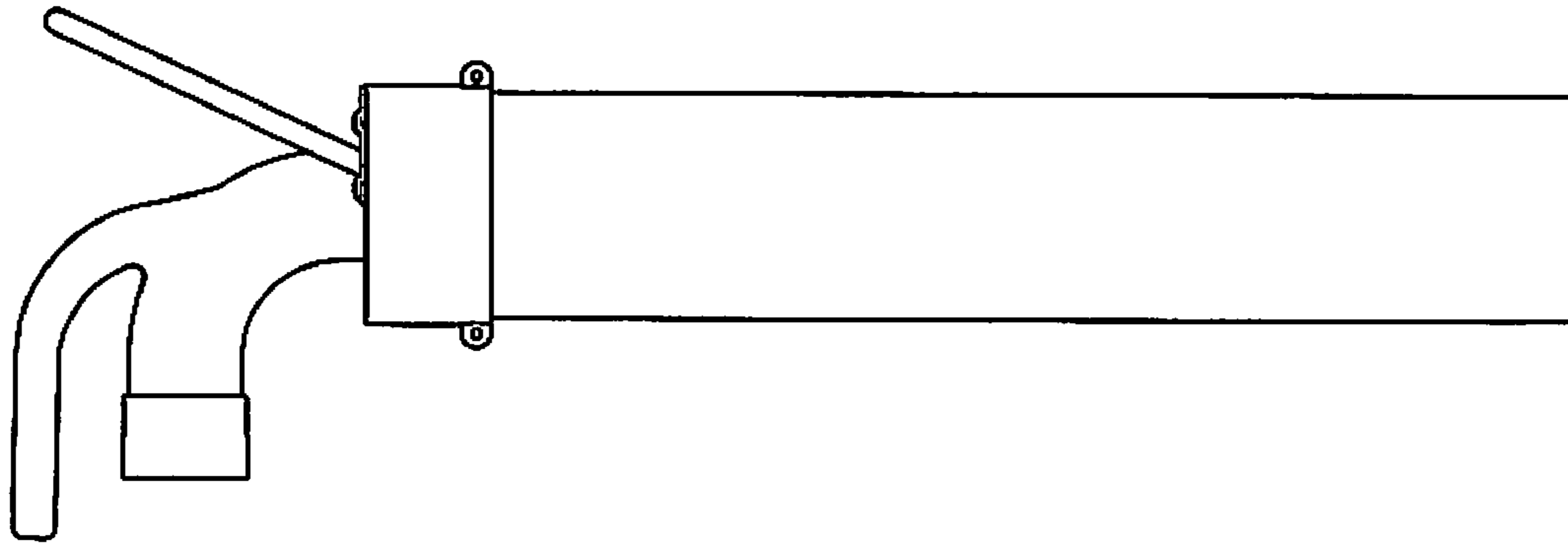


FIG. 4

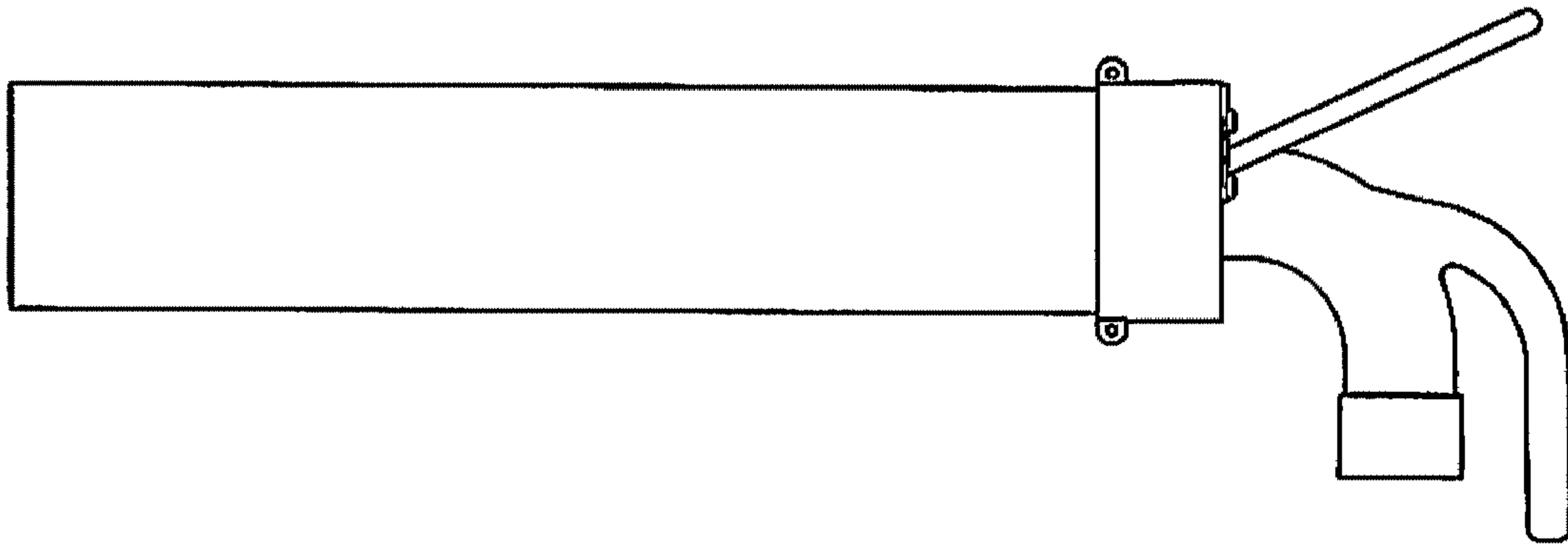


FIG. 5

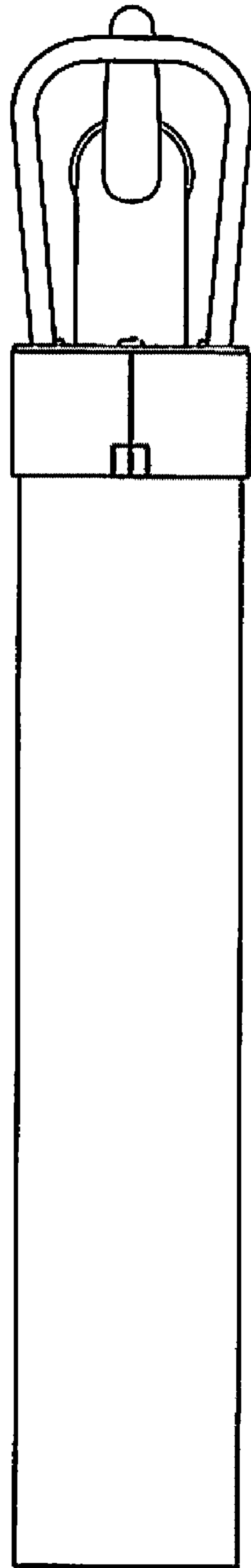


FIG. 6

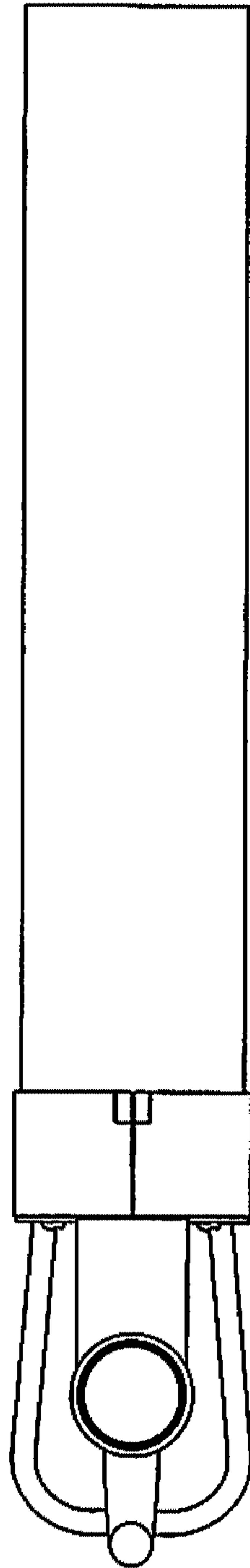


FIG. 7