



US00D635311S

(12) **United States Design Patent**
Ott

(10) **Patent No.:** **US D635,311 S**

(45) **Date of Patent:** **** Mar. 29, 2011**

(54) **DISHWASHER PANEL**

(75) Inventor: **Thomas Ott**, Neubiberg (DE)

(73) Assignee: **BSH Bosch und Siemens Hausgeraete GmbH**, Munich (DE)

(**) Term: **14 Years**

(21) Appl. No.: **29/376,688**

(22) Filed: **Oct. 11, 2010**

D380,883 S *	7/1997	Katz et al.	D32/25
D398,102 S *	9/1998	Schober	D32/25
D493,583 S *	7/2004	Kaczmarek	D32/3
D495,104 S *	8/2004	Kaczmarek	D32/3
D511,031 S *	10/2005	Ott et al.	D32/3
D530,048 S *	10/2006	Knochner	D32/3
D530,460 S *	10/2006	Knochner	D32/3
D533,691 S *	12/2006	Knochner	D32/3
D539,992 S *	4/2007	Yamamoto et al.	D32/2
D549,009 S *	8/2007	Lin	D6/480
D568,563 S *	5/2008	Stephens	D32/28
D577,869 S *	9/2008	Tartan et al.	D32/2
D613,467 S *	4/2010	Park et al.	D32/6
D618,403 S *	6/2010	Kaczmarek	D32/3

* cited by examiner

Related U.S. Application Data

(62) Division of application No. 29/360,739, filed on Apr. 30, 2010, which is a division of application No. 29/312,228, filed on Oct. 7, 2008, now Pat. No. Des. 618,405.

Primary Examiner — T. Chase Nelson

Assistant Examiner — Kathleen M Sims

(74) *Attorney, Agent, or Firm* — James E. Howard; Andre Pallapies

(30) **Foreign Application Priority Data**

Apr. 8, 2008 (EM) 000918347

(51) **LOC (9) Cl.** **15-05**

(52) **U.S. Cl.** **D32/3**

(58) **Field of Classification Search** D32/1-3,
D32/25, 28; D7/340, 348-351, 405; 68/212;
312/31; 134/56 D, 57 D, 58 D, 58 DL, 113,
134/201

See application file for complete search history.

(57) **CLAIM**

The ornamental design for a dishwasher panel, as shown and described.

DESCRIPTION

FIG. 1 is a perspective view of a dishwasher panel showing my new ornamental design;

FIG. 2 is a front view thereof; and,

FIG. 3 is a top view thereof.

The broken lines represent environment or structure of the dishwasher panel and do not form a part of the claimed design.

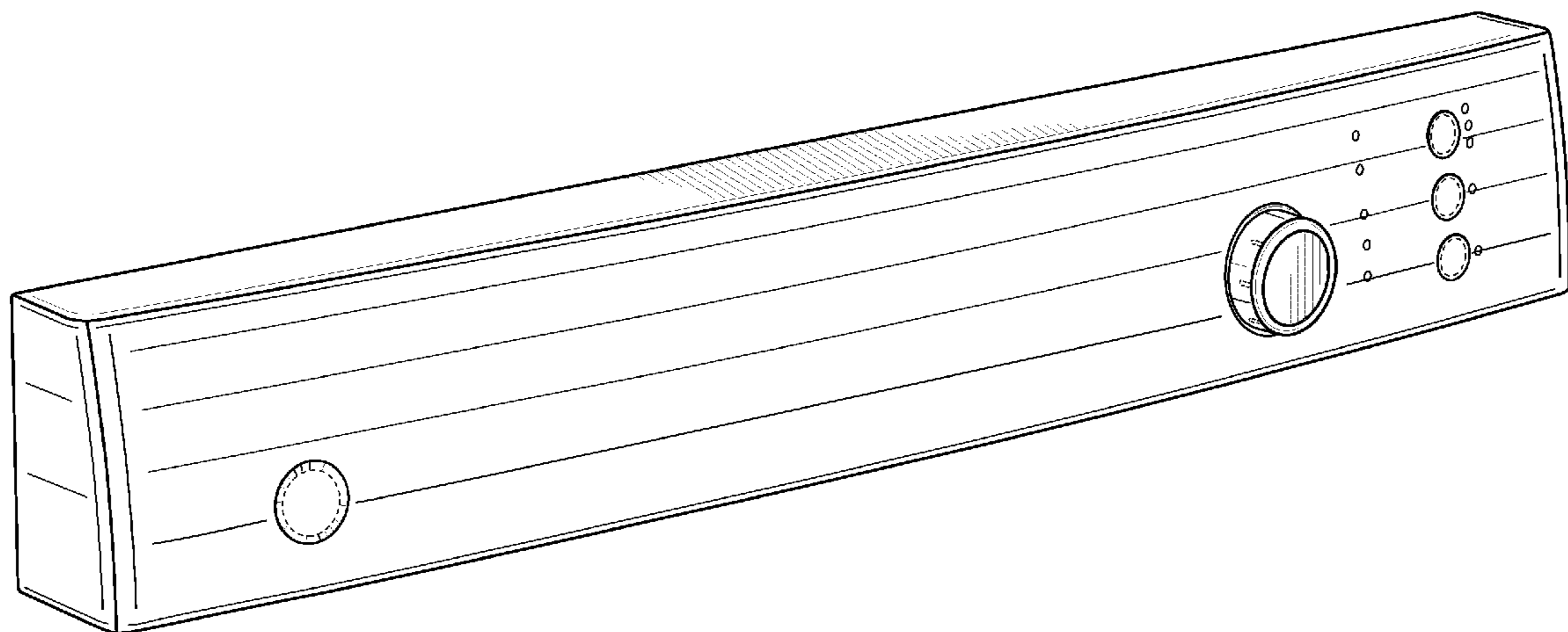
The rear and bottom views of the dishwasher panels are not shown and do not form a part of the claimed design.

(56) **References Cited**

U.S. PATENT DOCUMENTS

D169,872 S *	6/1953	Trombley	D32/28
5,571,276 A *	11/1996	Kobos et al.	312/265.6

1 Claim, 2 Drawing Sheets



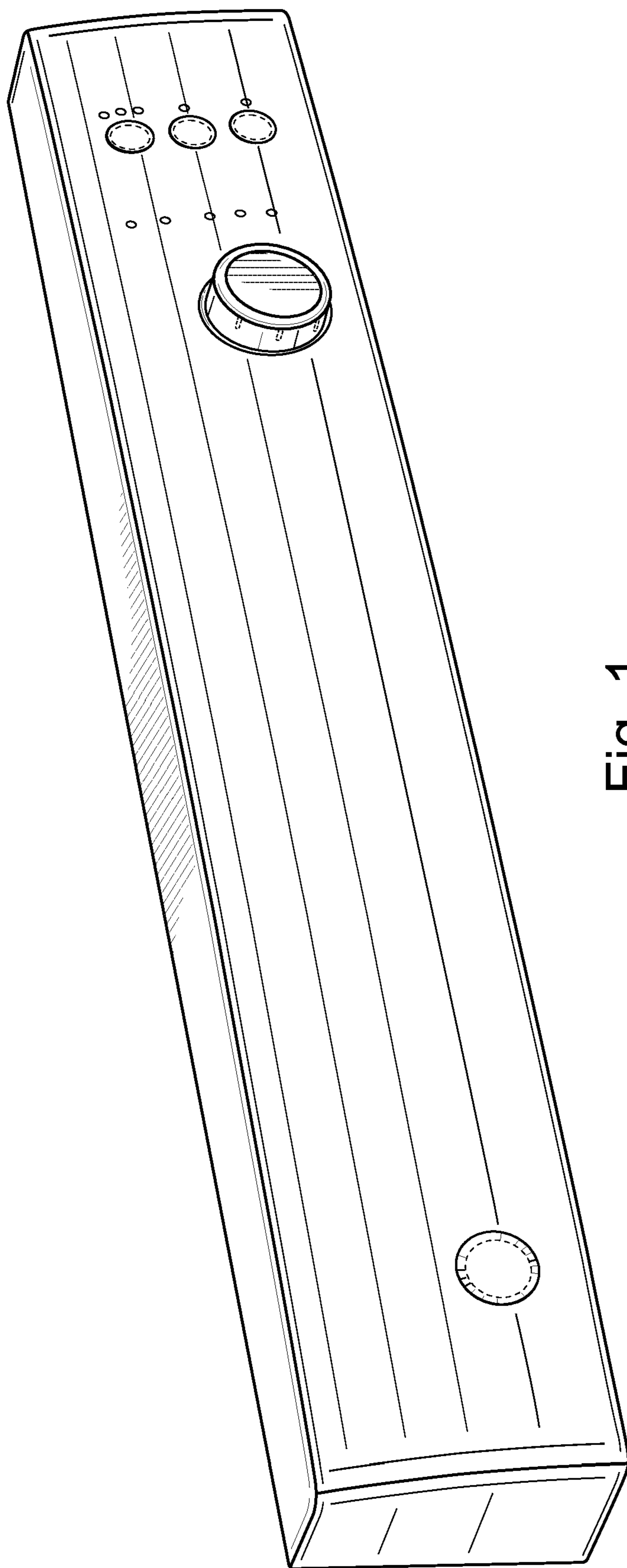


Fig. 1

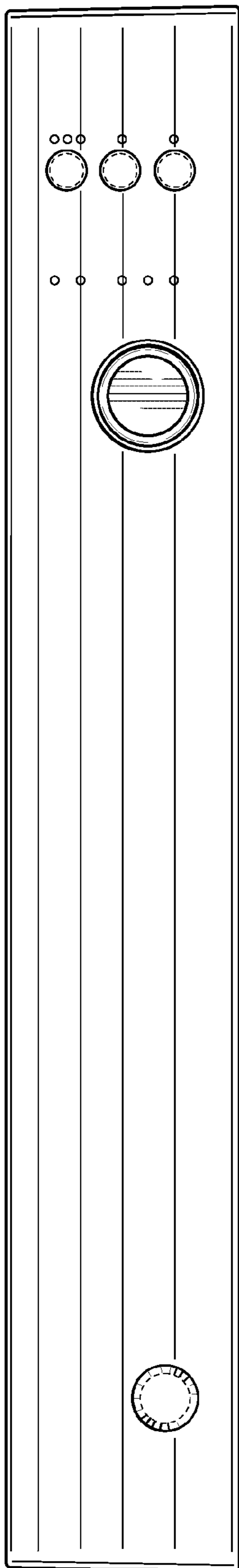


Fig. 2

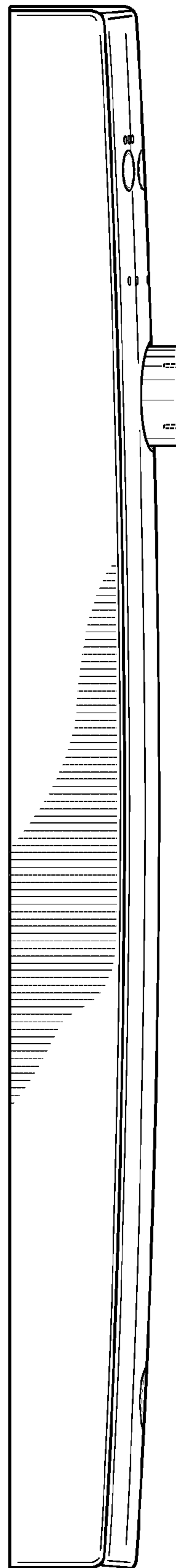


Fig. 3