



US00D635310S

(12) **United States Design Patent**
Jessmon

(10) **Patent No.:** **US D635,310 S**
(45) **Date of Patent:** **** Mar. 29, 2011**

(54) **MATERIAL SCOOP ADAPTED FOR
RETAINING A BAG**

(76) Inventor: **Kenneth G. Jessmon**, Milwaukee, WI
(US)

(**) Term: **14 Years**

(21) Appl. No.: **29/361,223**

(22) Filed: **May 7, 2010**

Related U.S. Application Data

(63) Continuation-in-part of application No. 12/503,606,
filed on Jul. 15, 2009.

(51) **LOC (9) Cl.** **30-99**

(52) **U.S. Cl.** **D30/162**

(58) **Field of Classification Search** D30/162;
D7/667, 669-670, 681, 691; D8/10; 294/1.3,
294/1.4, 1.5, 9, 28, 49, 50.8, 54.5, 55; D32/74
See application file for complete search history.

(56) **References Cited**

U.S. PATENT DOCUMENTS

4,149,745	A	4/1979	Willis	
D285,012	S *	8/1986	Willis	D30/162
D296,406	S *	6/1988	Fuller	D30/162
D334,638	S *	4/1993	Blackman	D30/162
5,382,063	A *	1/1995	Wesener et al.	294/1.3
5,540,469	A *	7/1996	Albert	294/1.4
5,580,111	A	12/1996	Bohn	
D377,247	S *	1/1997	Albert	D30/162

D404,855	S *	1/1999	Dotson	D30/162
6,237,973	B1	5/2001	DuPont et al.	
7,077,172	B2 *	7/2006	Perkitny et al.	294/1.3
2006/0087136	A1 *	4/2006	Pearl et al.	294/55
2007/0170732	A1 *	7/2007	Platt	294/1.3
2008/0136202	A1 *	6/2008	McRorie et al.	294/55

* cited by examiner

Primary Examiner — Cathy Anne MacCormac

(74) *Attorney, Agent, or Firm* — Donald J. Ersler

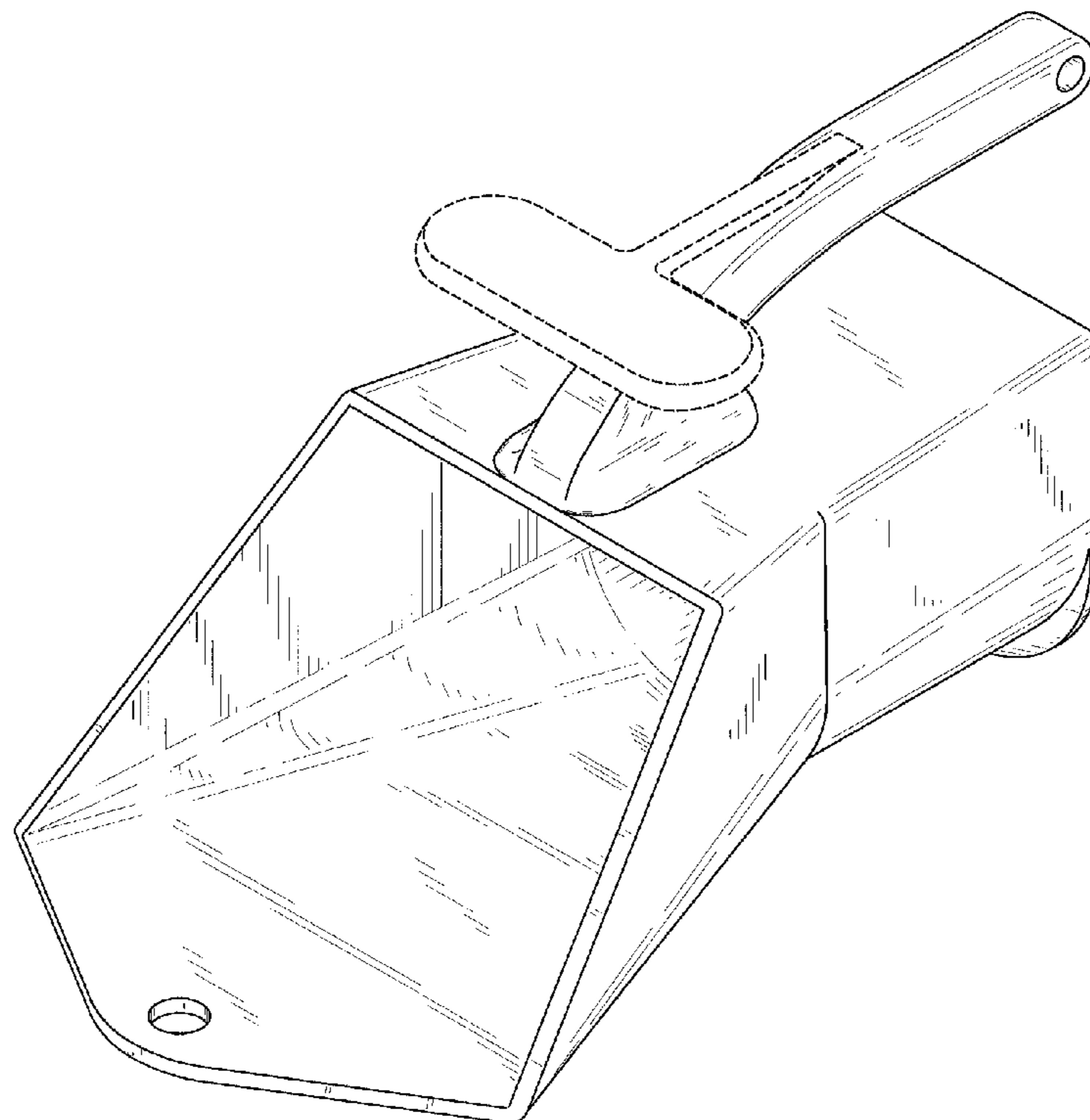
(57) **CLAIM**

The ornamental design for a material scoop adapted for retaining a bag, as shown and described.

DESCRIPTION

FIG. 1 is a perspective view of a material scoop adapted for retaining a bag incorporating my new design;
 FIG. 2 is a left side view of a material scoop adapted for retaining a bag;
 FIG. 3 is a right side view of a material scoop adapted for retaining a bag;
 FIG. 4 is a top plan view of a material scoop adapted for retaining a bag;
 FIG. 5 is a bottom plan view of a material scoop adapted for retaining a bag;
 FIG. 6 is a front elevation view of a material scoop adapted for retaining a bag; and,
 FIG. 7 is a rear elevation view of a material scoop adapted for retaining a bag.
 The dashed lines in the drawings are for illustrative purpose only and form no part of the claimed invention.

1 Claim, 4 Drawing Sheets



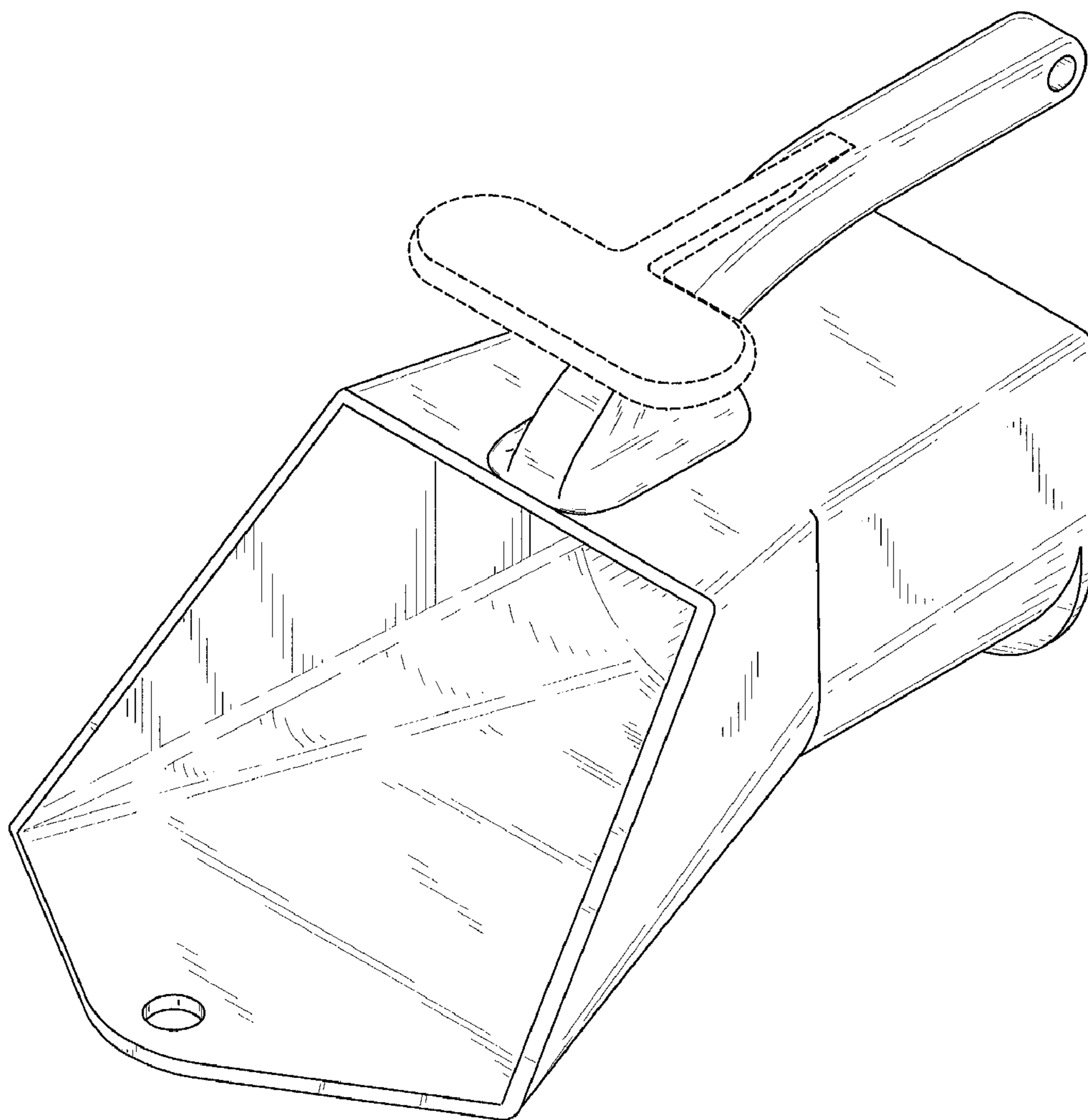


FIG. 1

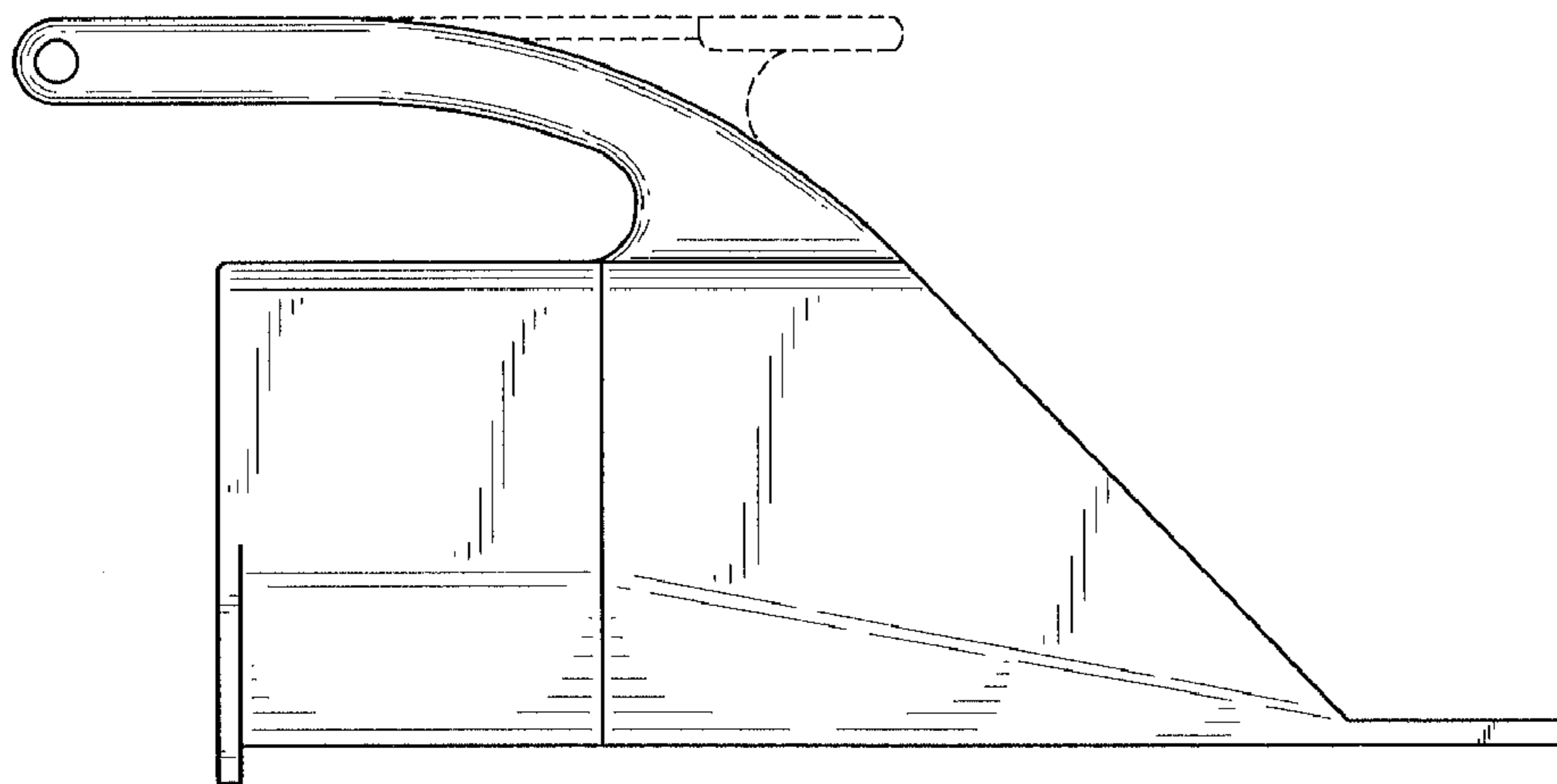


FIG. 2

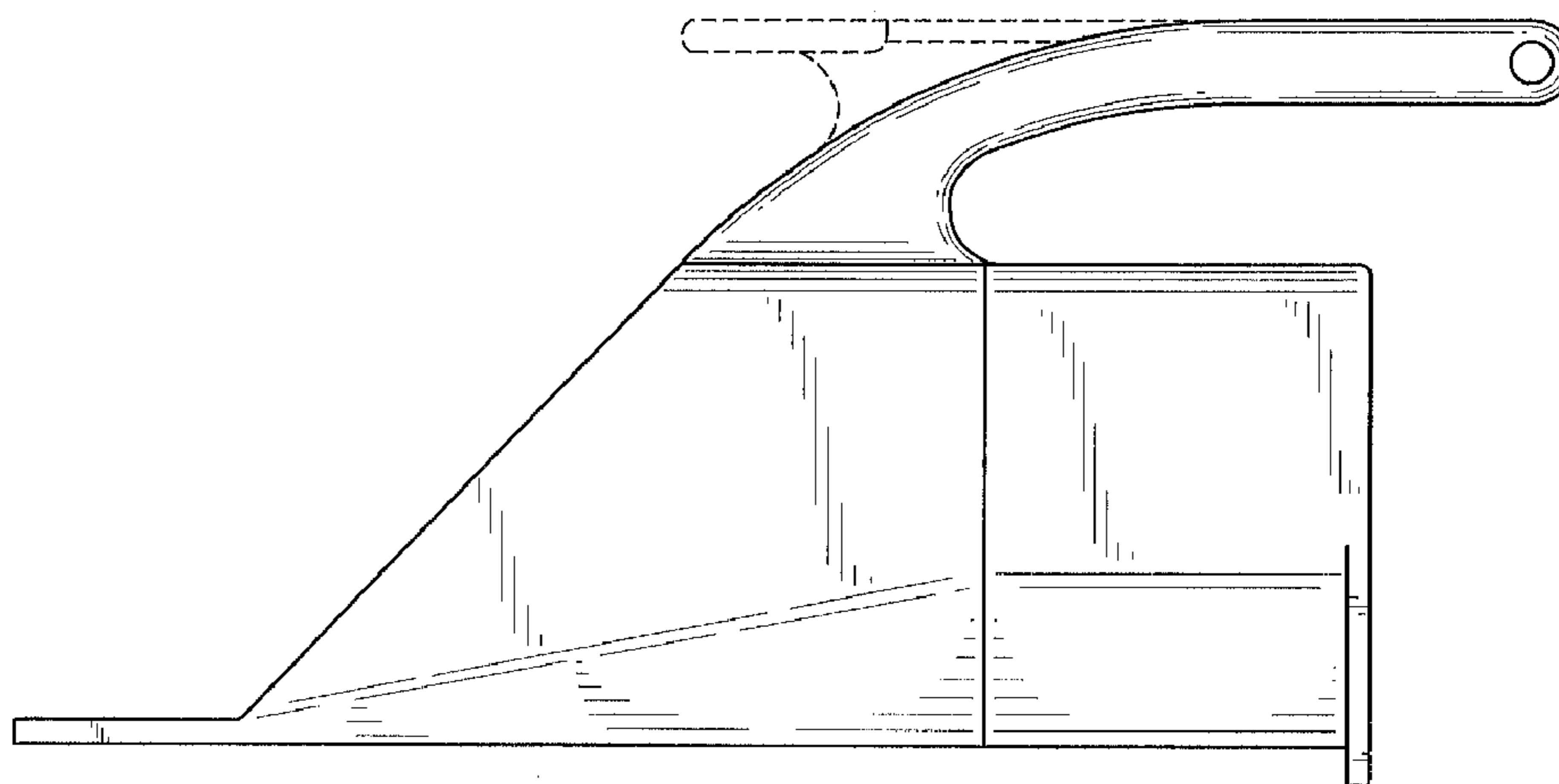


FIG. 3

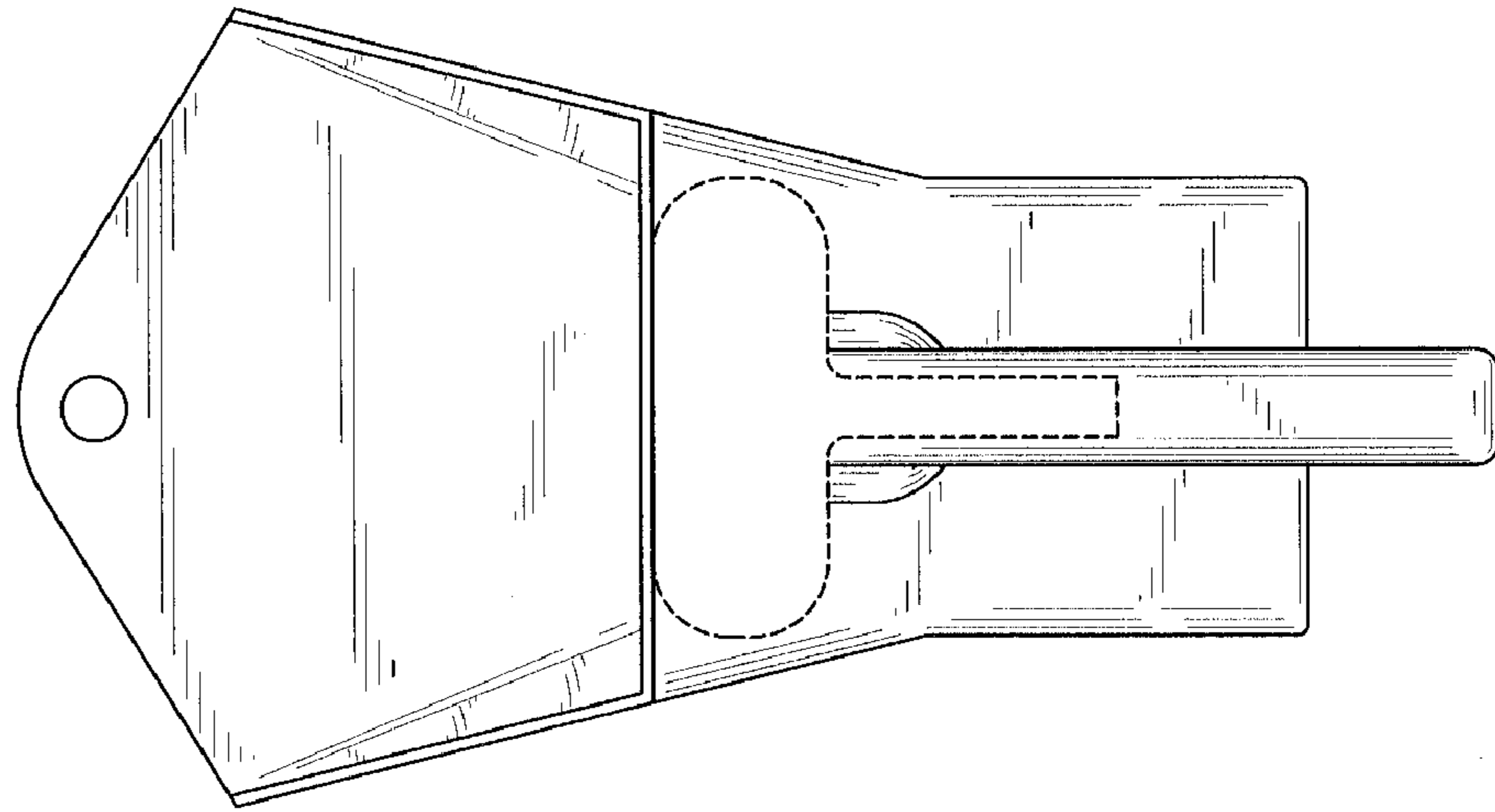


FIG. 4

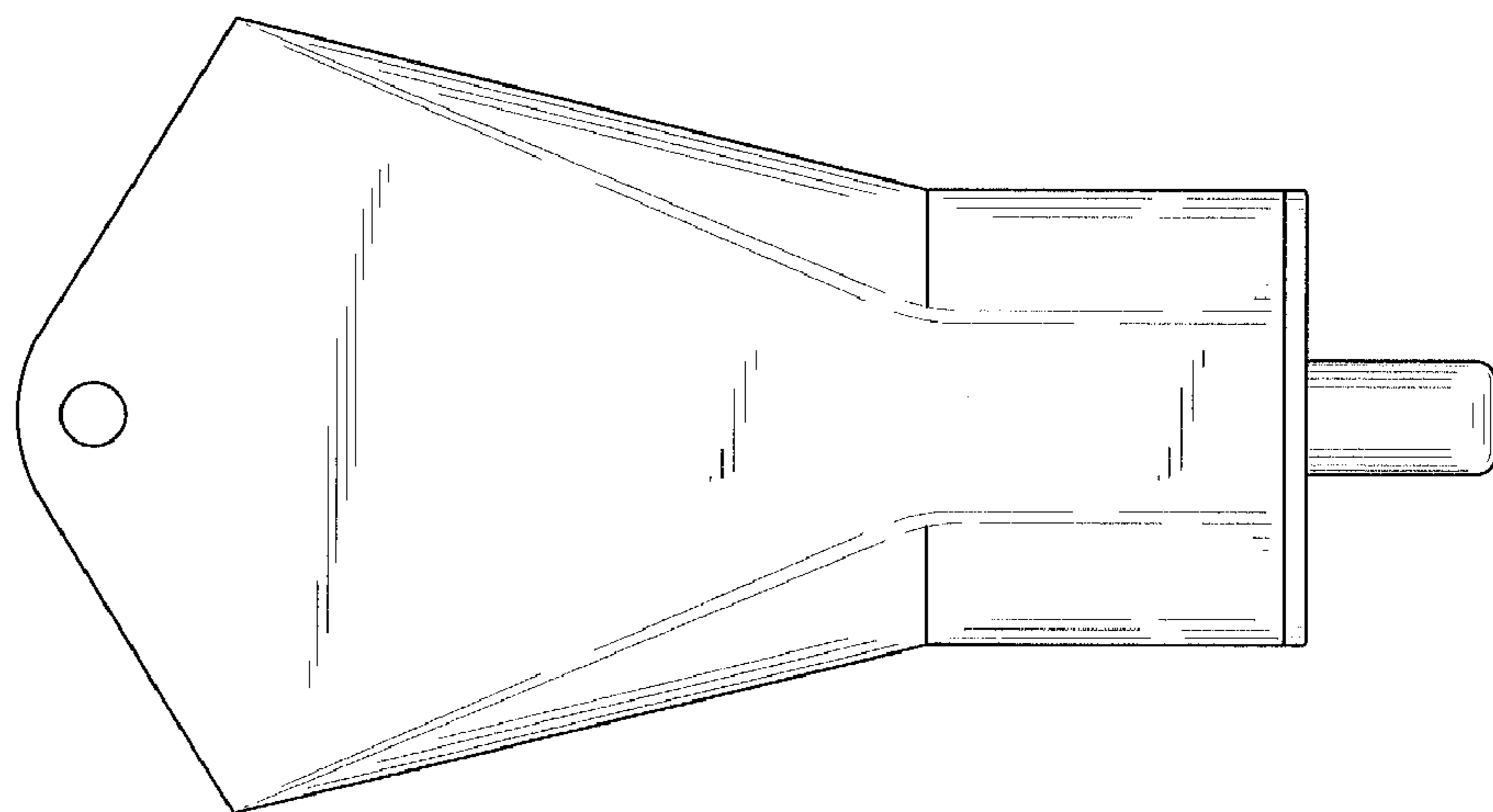


FIG. 5

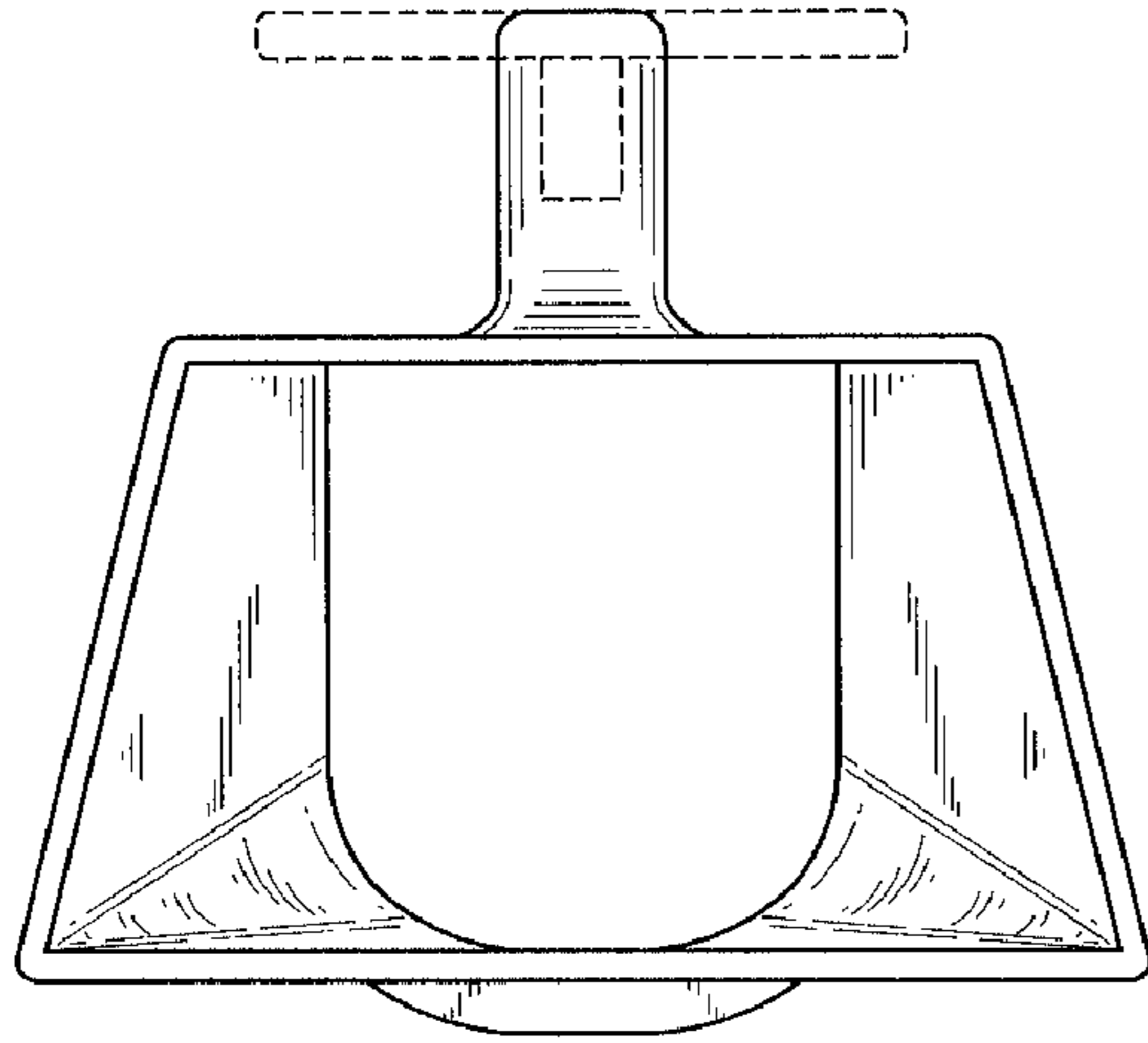


FIG. 6

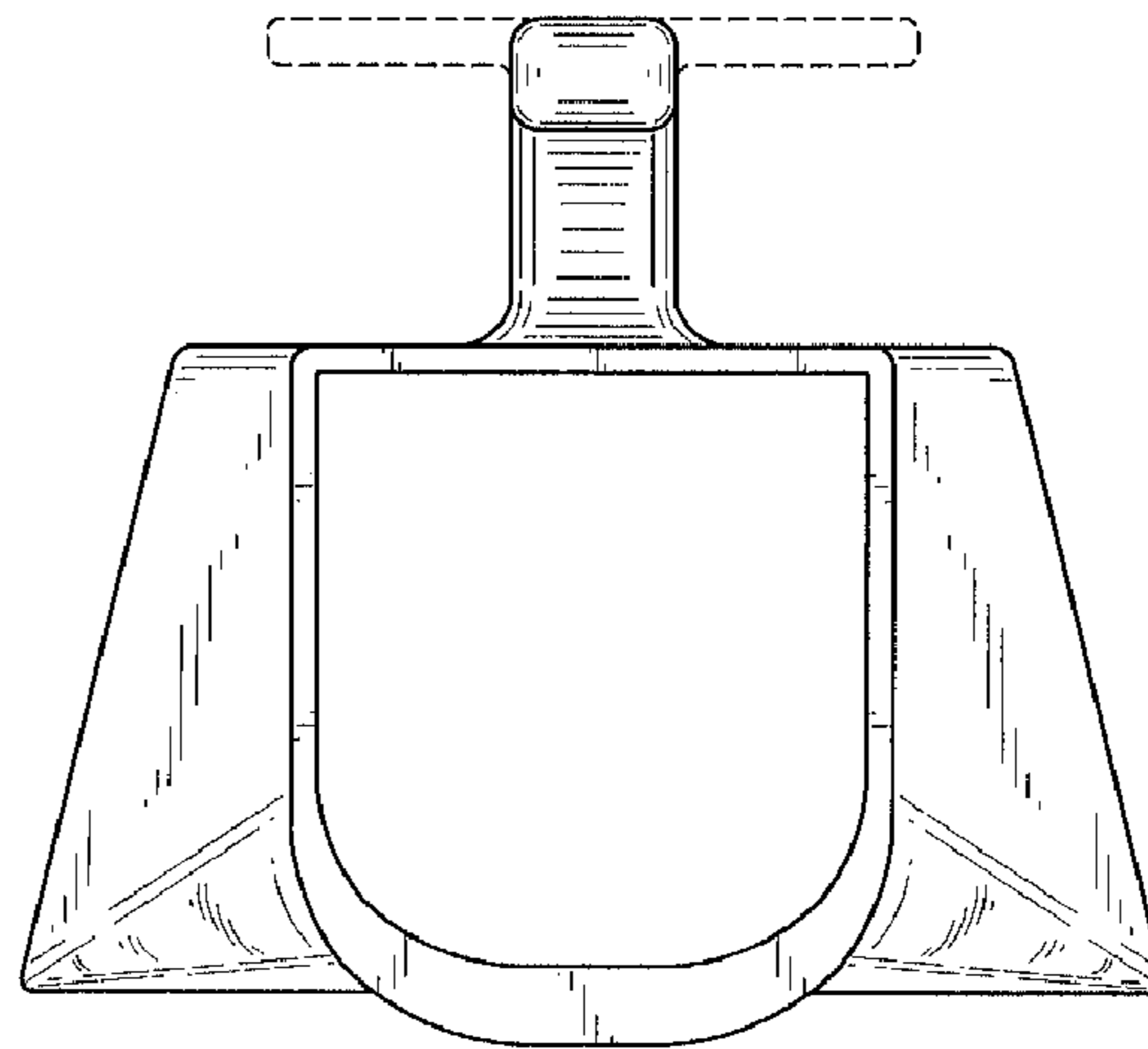


FIG. 7