



US00D635302S

(12) **United States Design Patent**
Psimadas et al.

(10) **Patent No.:** **US D635,302 S**
(45) **Date of Patent:** **** Mar. 29, 2011**

(54) **SHAVER HANDLE**

(75) Inventors: **Ioannis Marios Psimadas,**
Vrilissia-Athens (GR); **Maria Petratou,**
Marousi-Athens (GR)

(73) Assignee: **Societe BIC,** Clichy (FR)

(**) Term: **14 Years**

(21) Appl. No.: **29/366,245**

(22) Filed: **Jul. 22, 2010**

(30) **Foreign Application Priority Data**

Jun. 24, 2010 (EM) 001723909-0001

(51) **LOC (9) Cl.** **28-03**

(52) **U.S. Cl.** **D28/48**

(58) **Field of Classification Search** D28/44-48;
30/32, 32.05, 34.1-34.2, 41, 44-46, 47-51,
30/57-58, 77-84, 526-539

See application file for complete search history.

(56) **References Cited**

U.S. PATENT DOCUMENTS

D271,813	S	*	12/1983	Gray	D28/46
D364,707	S	*	11/1995	Shurtleff	D28/46
D451,642	S	*	12/2001	Wagstaff	D28/48
D565,245	S	*	3/2008	Wonderley	D28/46
D587,403	S	*	2/2009	Wonderley	D28/46

* cited by examiner

Primary Examiner — Jennifer Rivard

(74) *Attorney, Agent, or Firm* — The H.T. Than Law Group

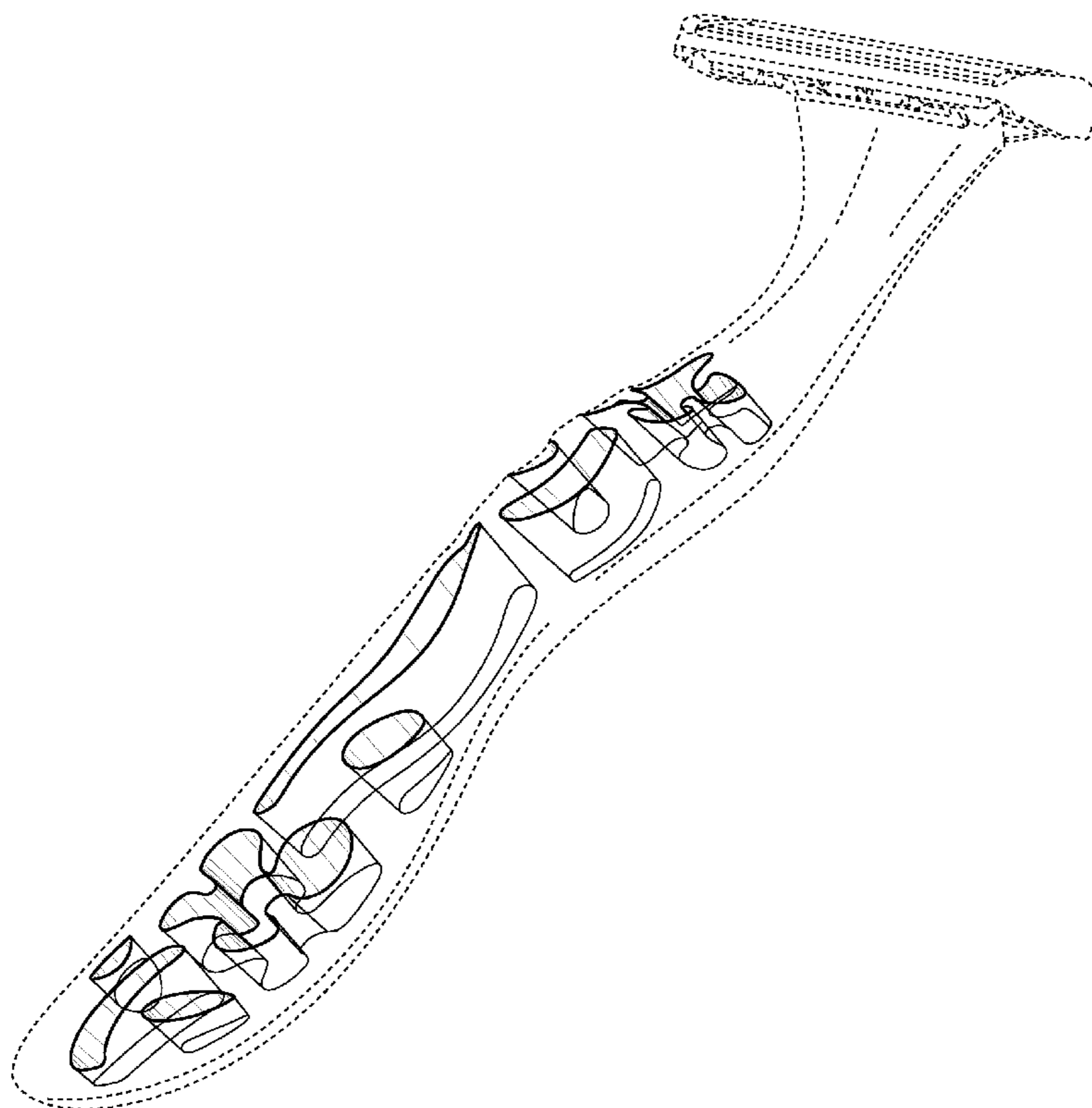
(57) **CLAIM**

The ornamental design for a shaver handle, as shown and described.

DESCRIPTION

FIG. 1 is perspective view of an ornamental design for a shaver handle design according to the present invention; FIG. 2 is a front elevational view thereof; FIG. 3 is a rear elevational view thereof; FIG. 4 is a right side view thereof; FIG. 5 is a left side view thereof; FIG. 6 is a top view thereof; FIG. 7 is a bottom view thereof; and, FIG. 8 is a second prospective view thereof. All portions shown in broken lines are environmental and illustrative only and form no part of the claimed design.

1 Claim, 5 Drawing Sheets



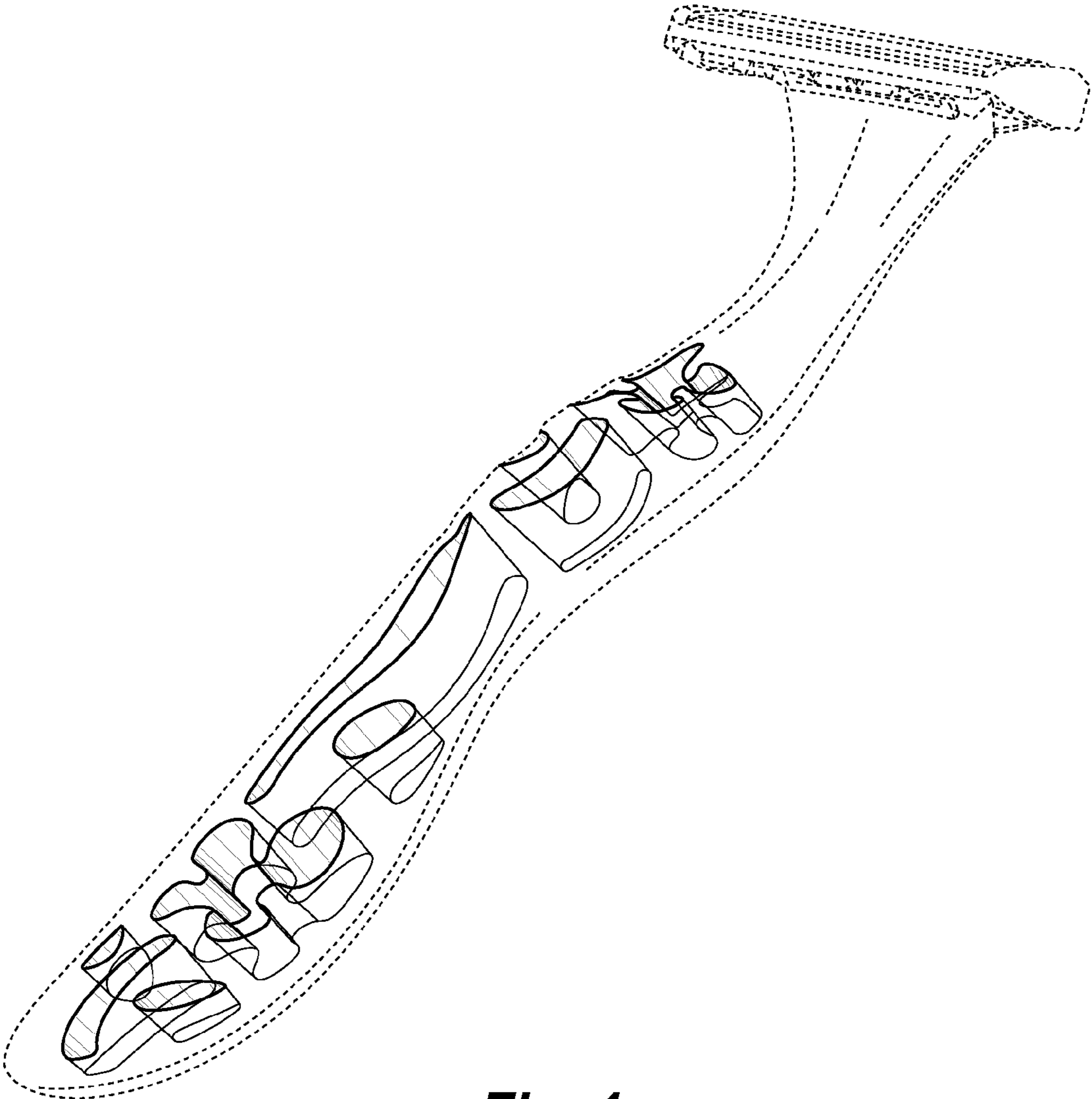


Fig. 1

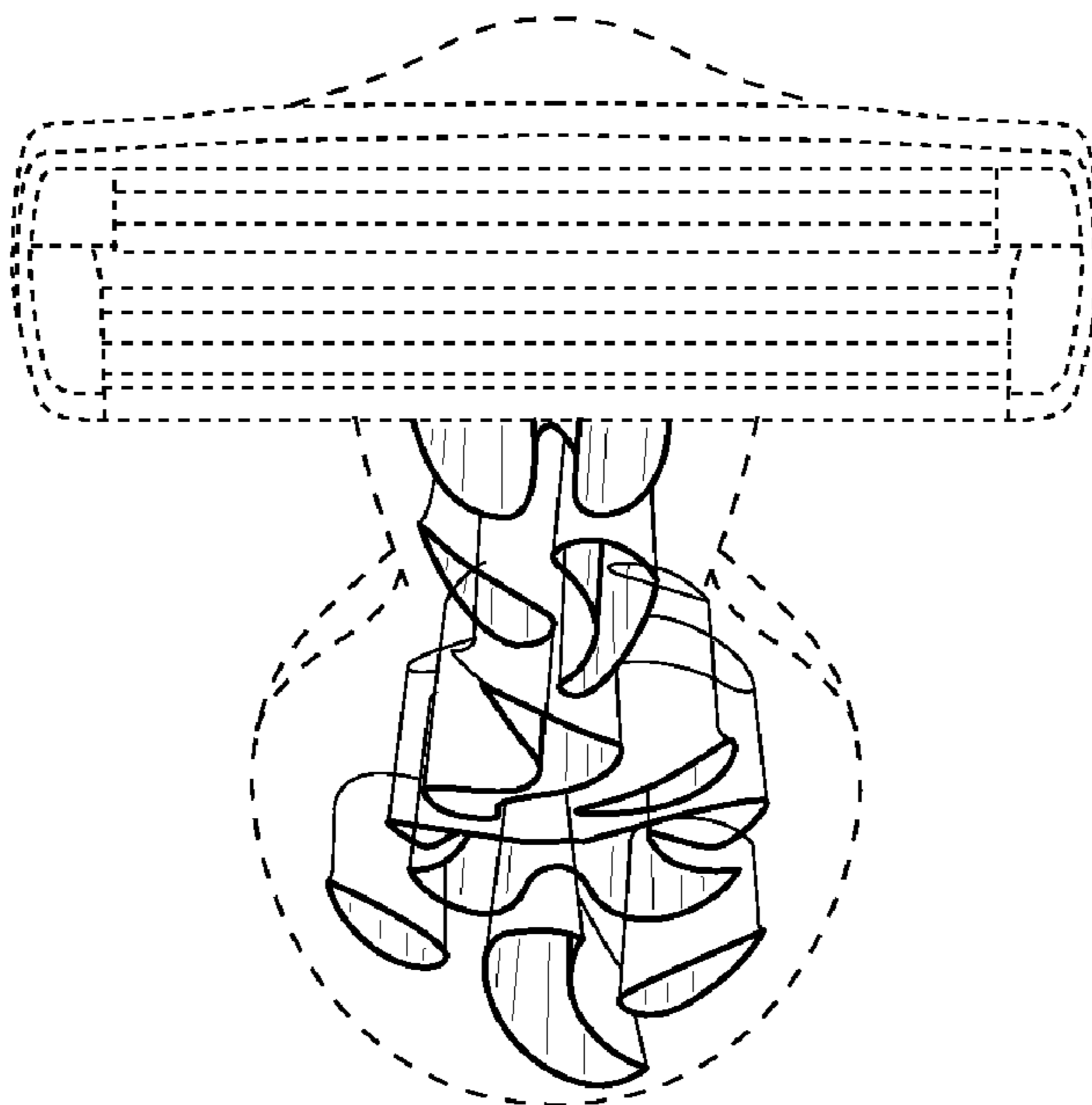


Fig. 2

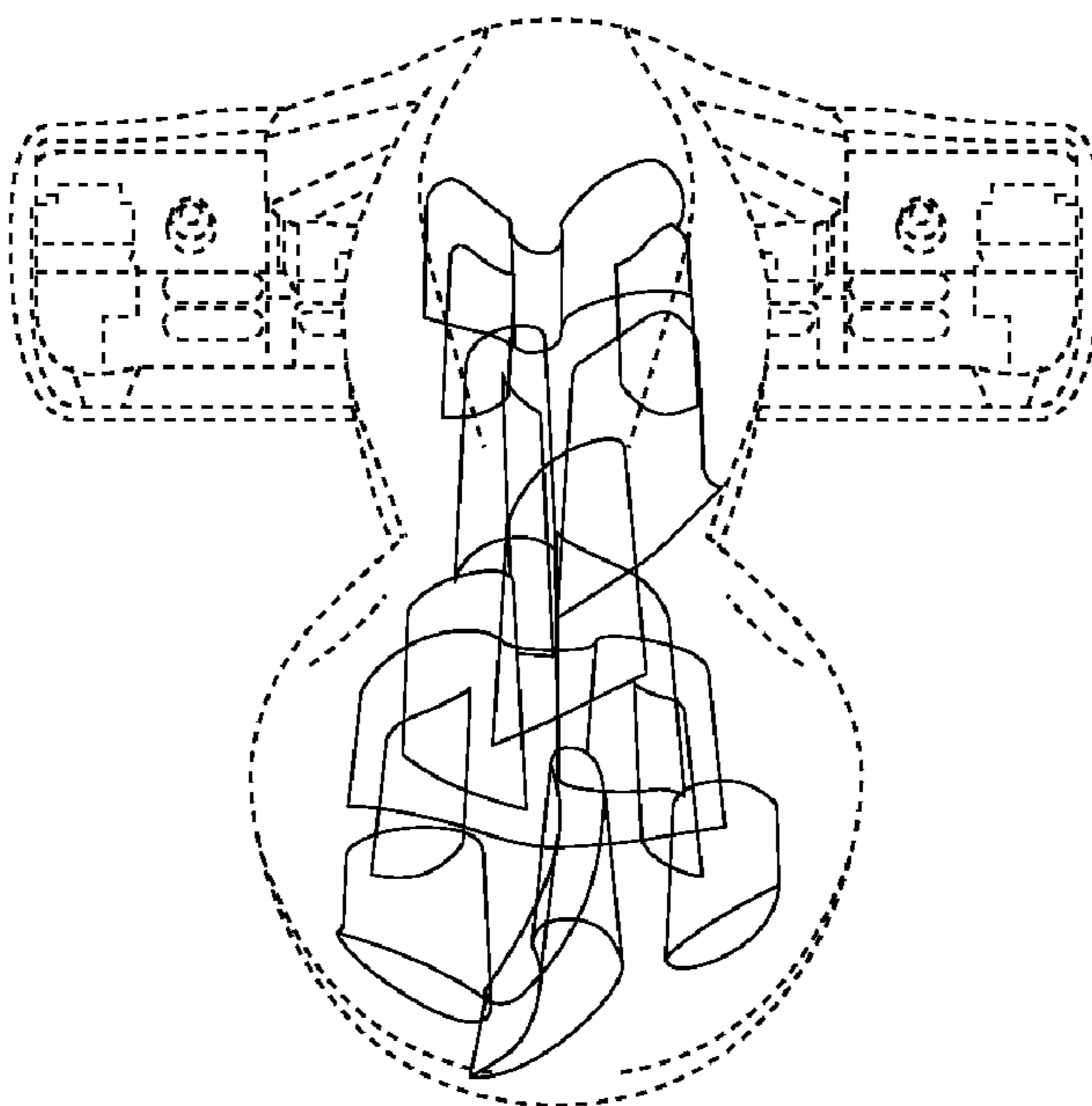


Fig. 3

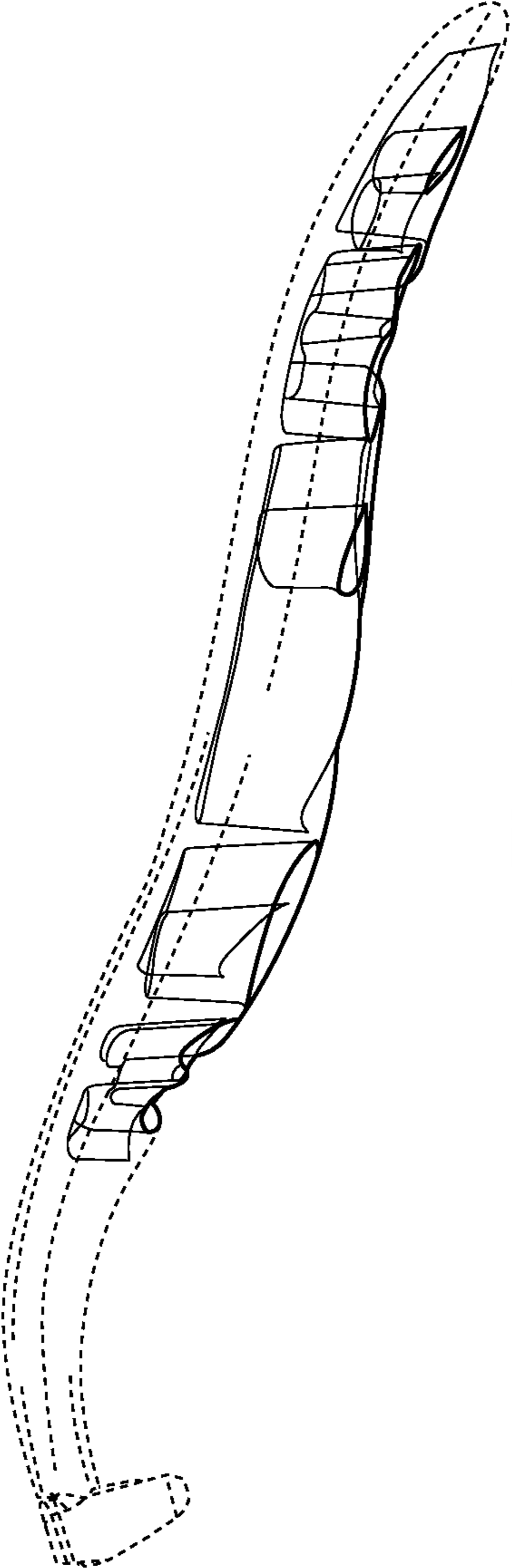


Fig. 4

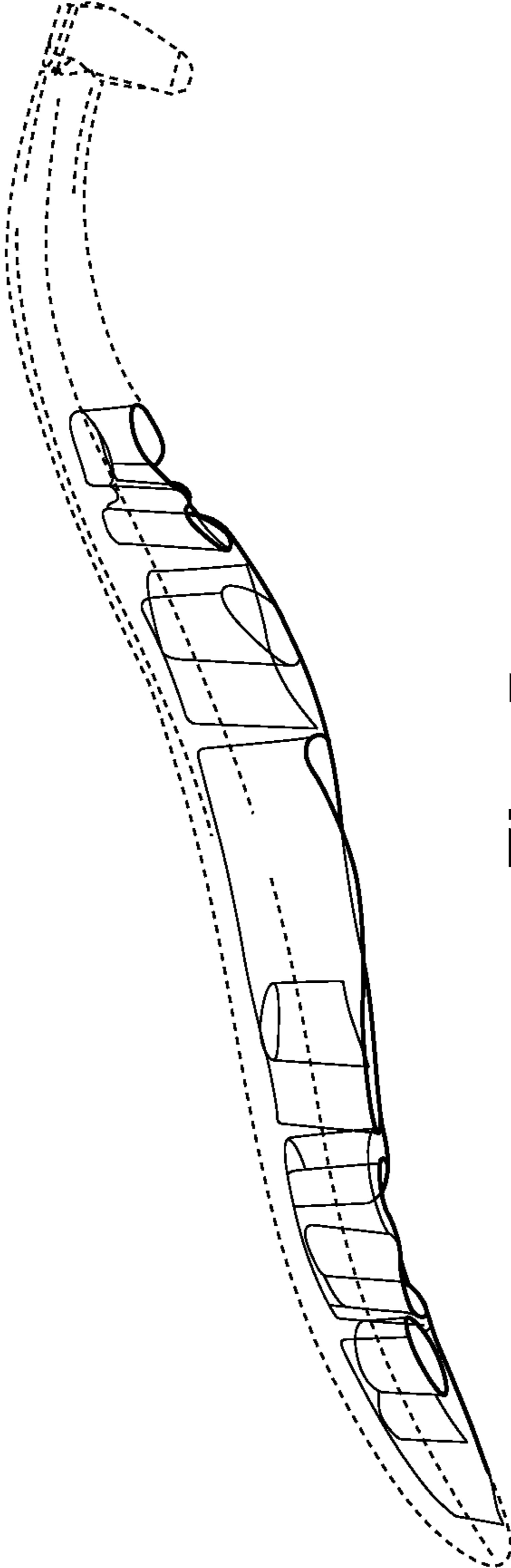


Fig. 5

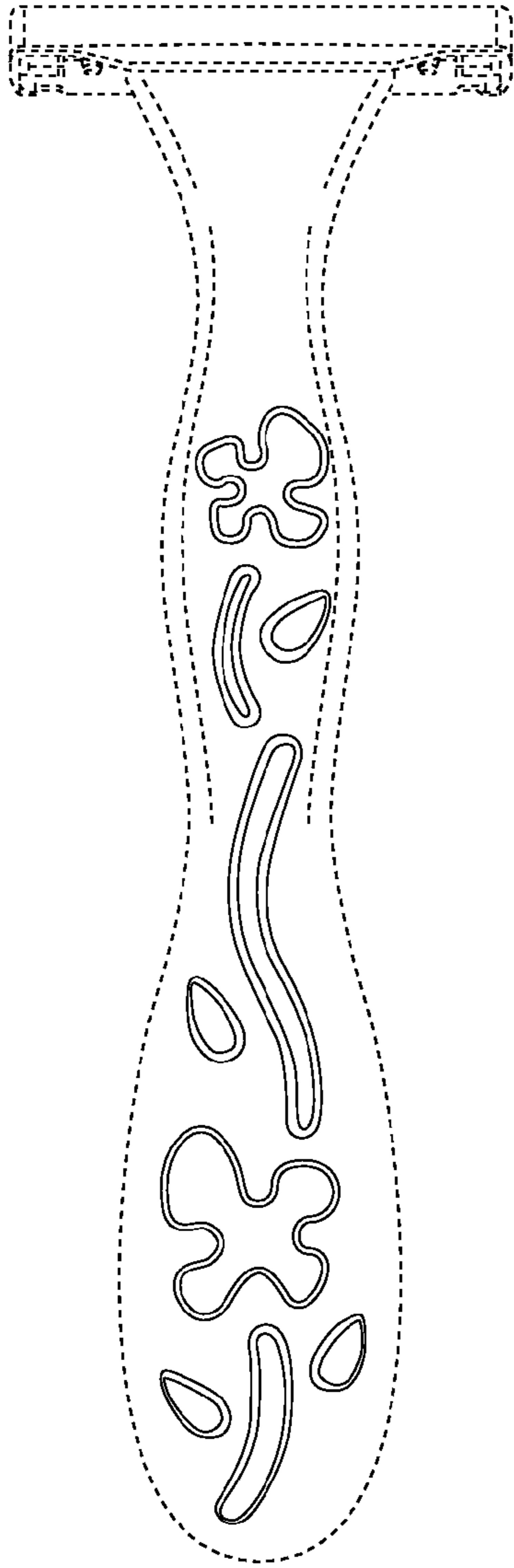


Fig. 6

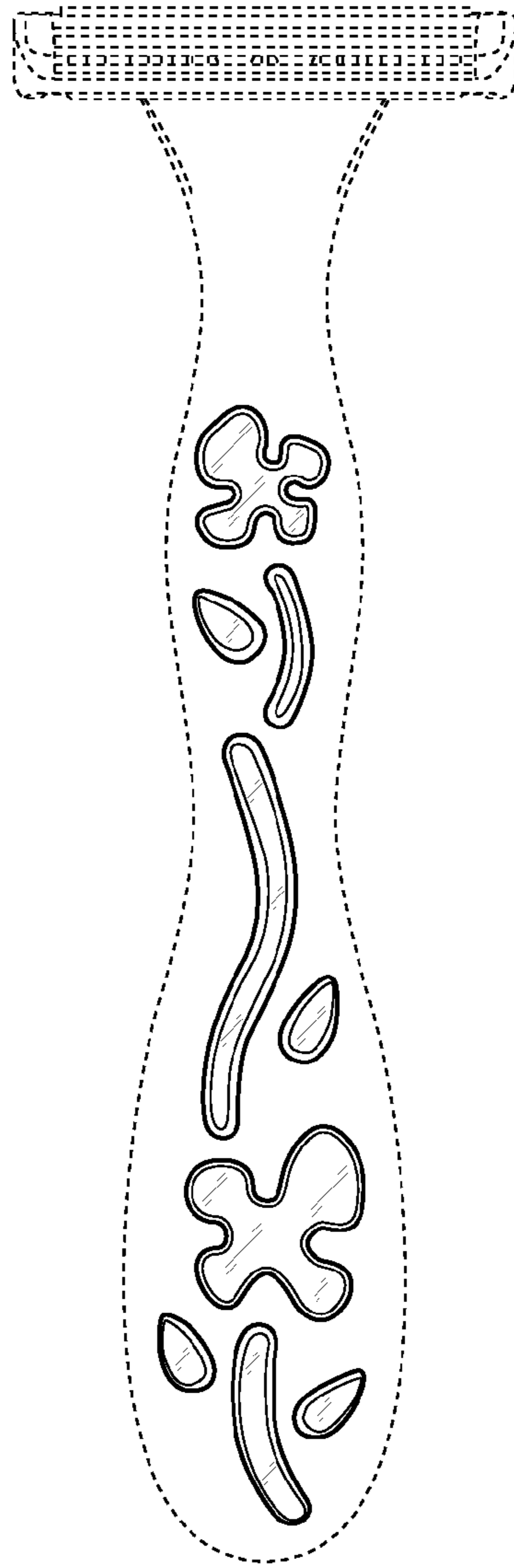


Fig. 7

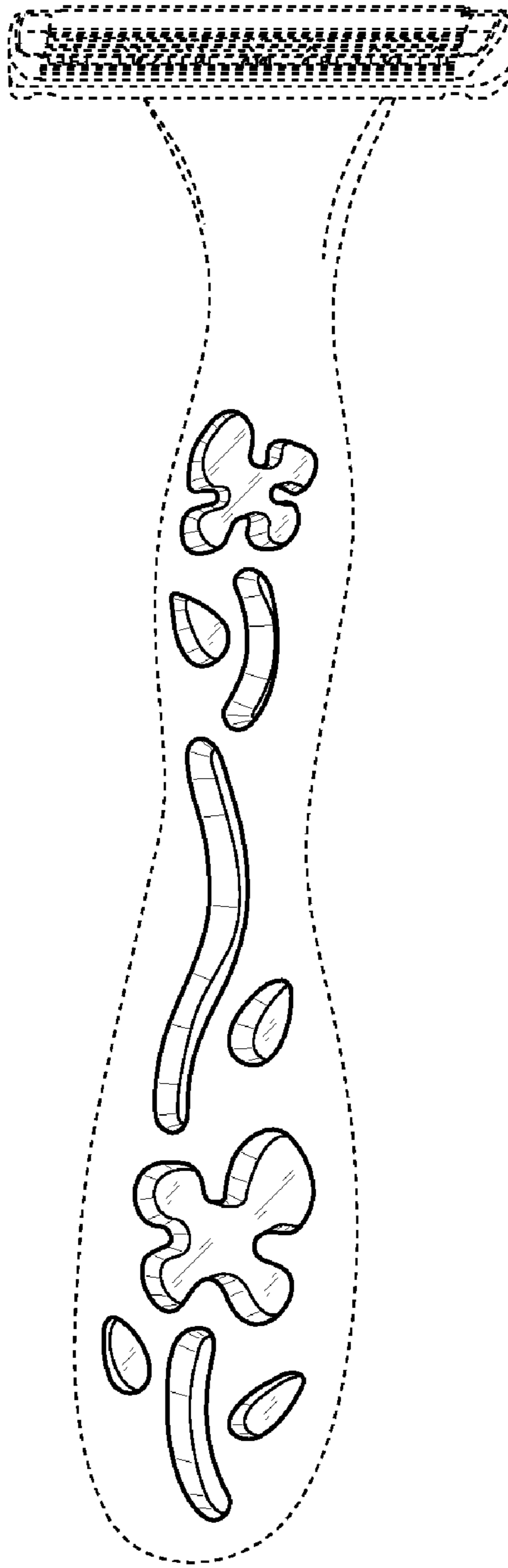


Fig. 8