



US00D635301S

(12) **United States Design Patent**
Cormier

(10) **Patent No.:** **US D635,301 S**
(45) **Date of Patent:** **** Mar. 29, 2011**

- (54) **POCKET RAZOR**
- (76) Inventor: **Mario Cormier**, Grand-Anse (CA)
- (**) Term: **14 Years**
- (21) Appl. No.: **29/371,030**
- (22) Filed: **Sep. 21, 2010**
- (51) **LOC (9) Cl.** **28-03**
- (52) **U.S. Cl.** **D28/46**
- (58) **Field of Classification Search** D28/44-48;
30/32, 32.05, 34.1-34.2, 41, 44-46, 47-51,
30/57-58, 77-84, 526-539
See application file for complete search history.

5,666,732 A	9/1997	Shea	
D389,966 S	1/1998	Melodia et al.	
5,934,291 A	8/1999	Andrews	
D435,935 S	1/2001	Nobile et al.	
6,237,444 B1	5/2001	Kim	
D446,351 S *	8/2001	Greene D28/46
6,898,855 B2	5/2005	Jones et al.	
D523,353 S	6/2006	Branden	
D566,333 S *	4/2008	Shoavi D28/44.1
D566,334 S *	4/2008	Shoavi D28/46
D612,102 S *	3/2010	Kling et al. D28/48
D627,102 S *	11/2010	Leventhal et al. D28/48

* cited by examiner

Primary Examiner — Jennifer Rivard
(74) *Attorney, Agent, or Firm* — Mario Theriault

(56) **References Cited**

U.S. PATENT DOCUMENTS

2,119,405 A	5/1938	Dietrich	
2,501,987 A	3/1950	Brown	
D162,933 S	4/1951	Chambers	
2,549,542 A	4/1951	Stair	
2,601,450 A	6/1952	O'Neill	
2,789,346 A	4/1957	Algier et al.	
3,488,764 A	1/1970	Welsh	
D218,669 S *	9/1970	Genaro D28/46
D254,992 S *	5/1980	Chase et al. D28/46
D261,063 S	9/1981	Keck	
4,612,707 A	9/1986	Shea	
4,663,841 A	5/1987	Custer	
4,782,590 A	11/1988	Pope	
D312,893 S	12/1990	Hansen	
4,979,300 A	12/1990	Blank et al.	
D349,175 S *	7/1994	Hotz D28/45
D352,568 S	11/1994	Meisner et al.	

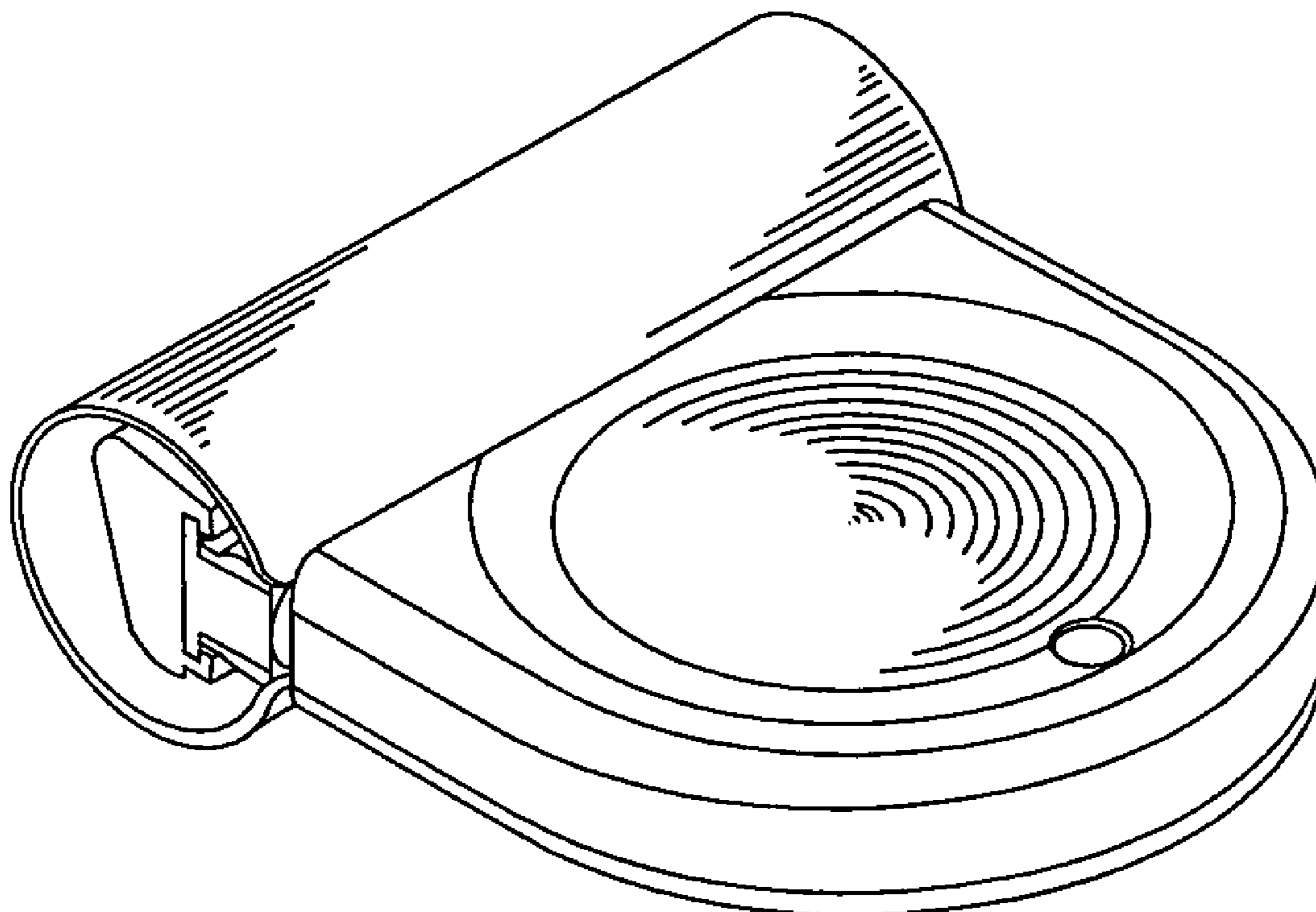
(57) **CLAIM**

The ornamental design for a pocket razor, as shown and described.

DESCRIPTION

FIG. 1 is a perspective rear, left side and top view of a pocket razor, showing my new design;
FIG. 2 is a top view thereof, the bottom view is a mirror image;
FIG. 3 is a left side view thereof, the right side view is a mirror image;
FIG. 4 is a rear view thereof; and,
FIG. 5 is a front view thereof.

1 Claim, 1 Drawing Sheet



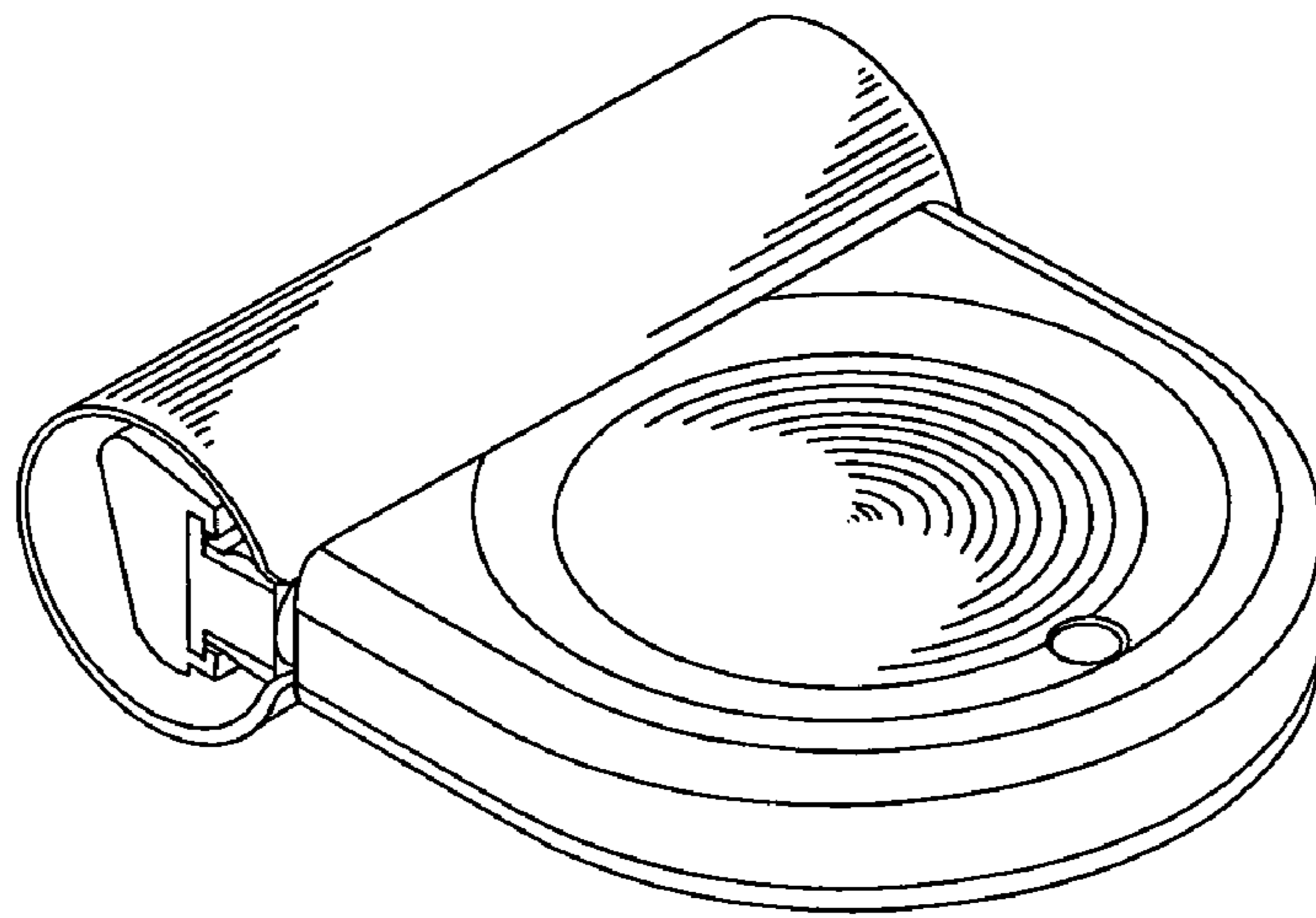


FIG. 1

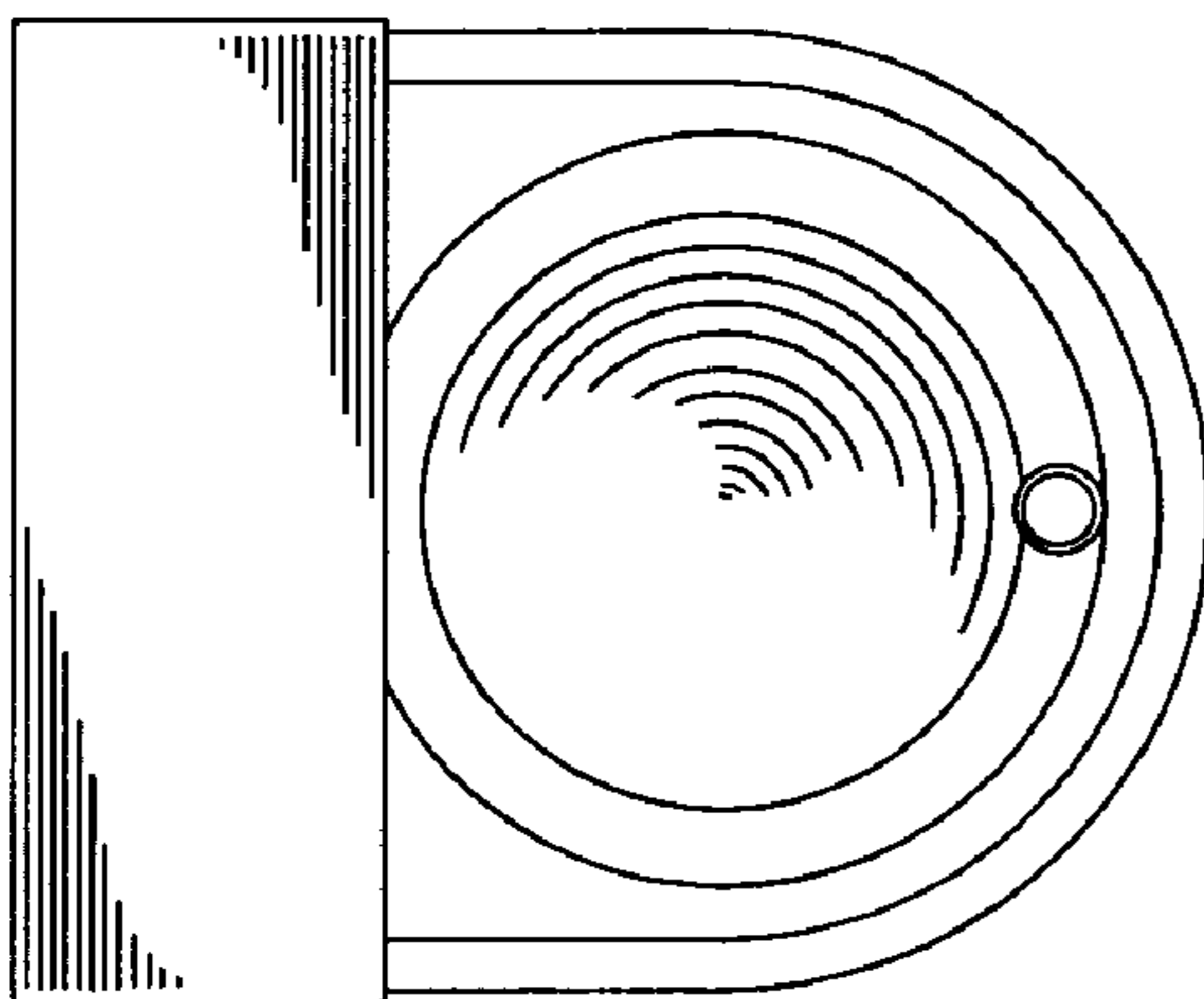


FIG. 2

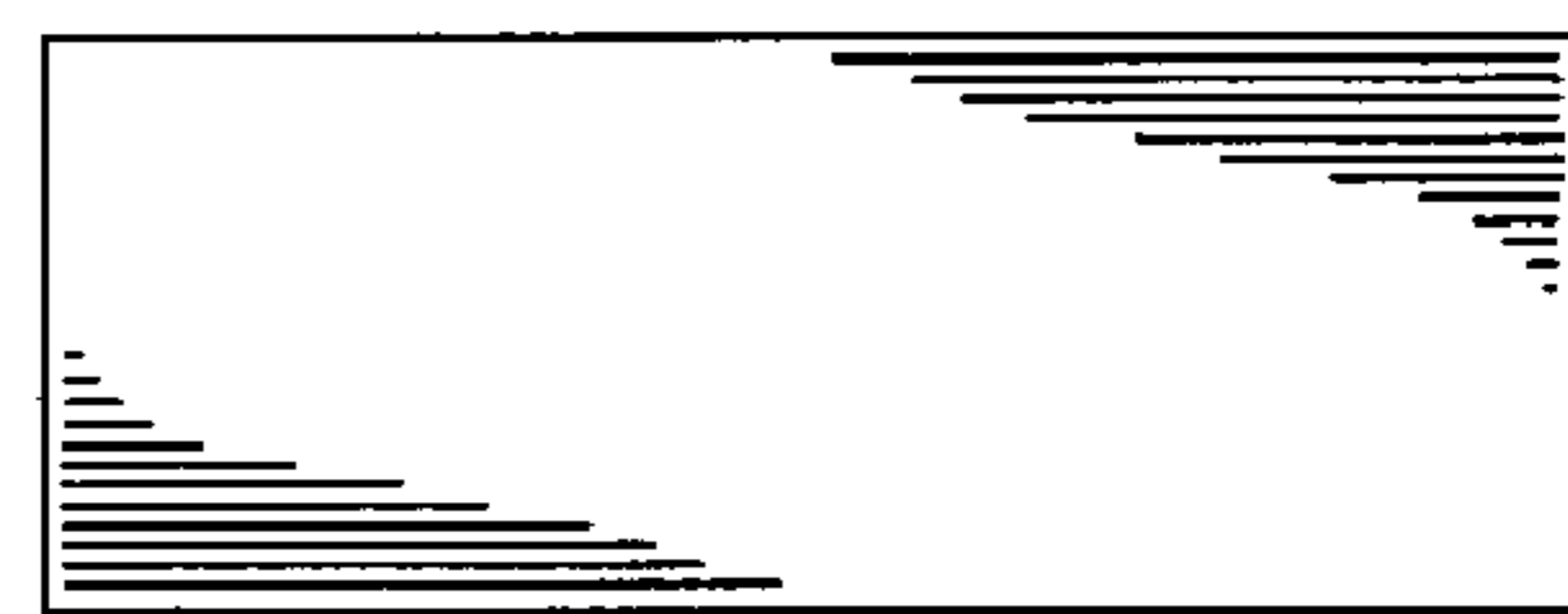


FIG. 5

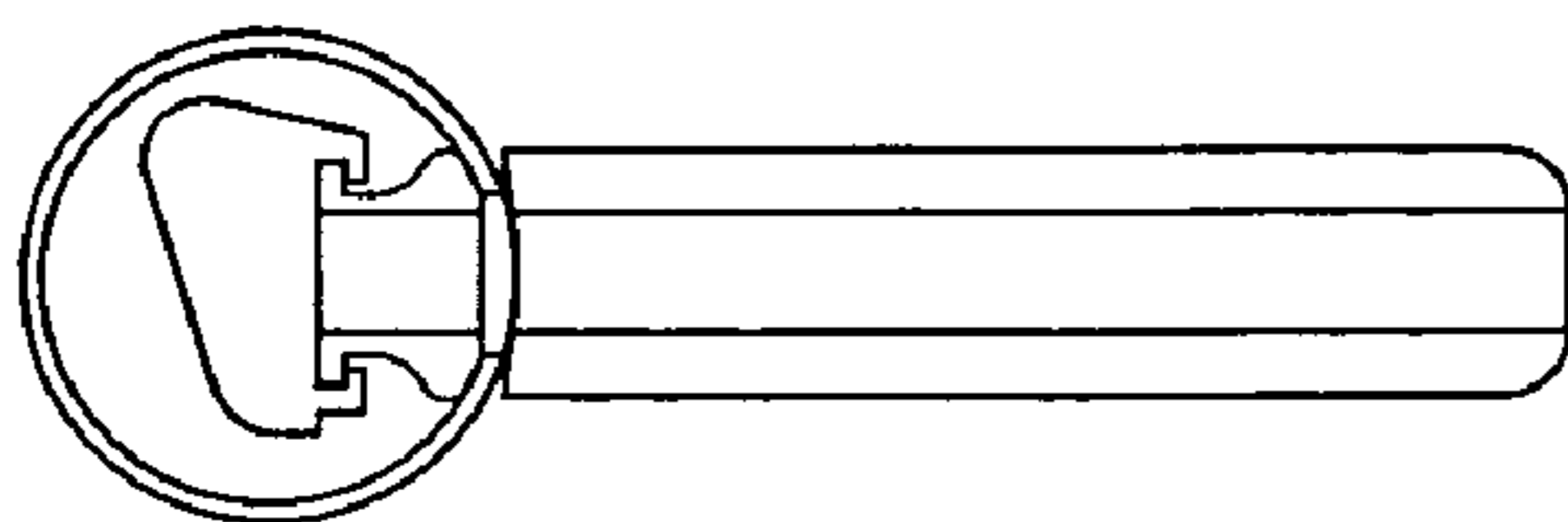


FIG. 3

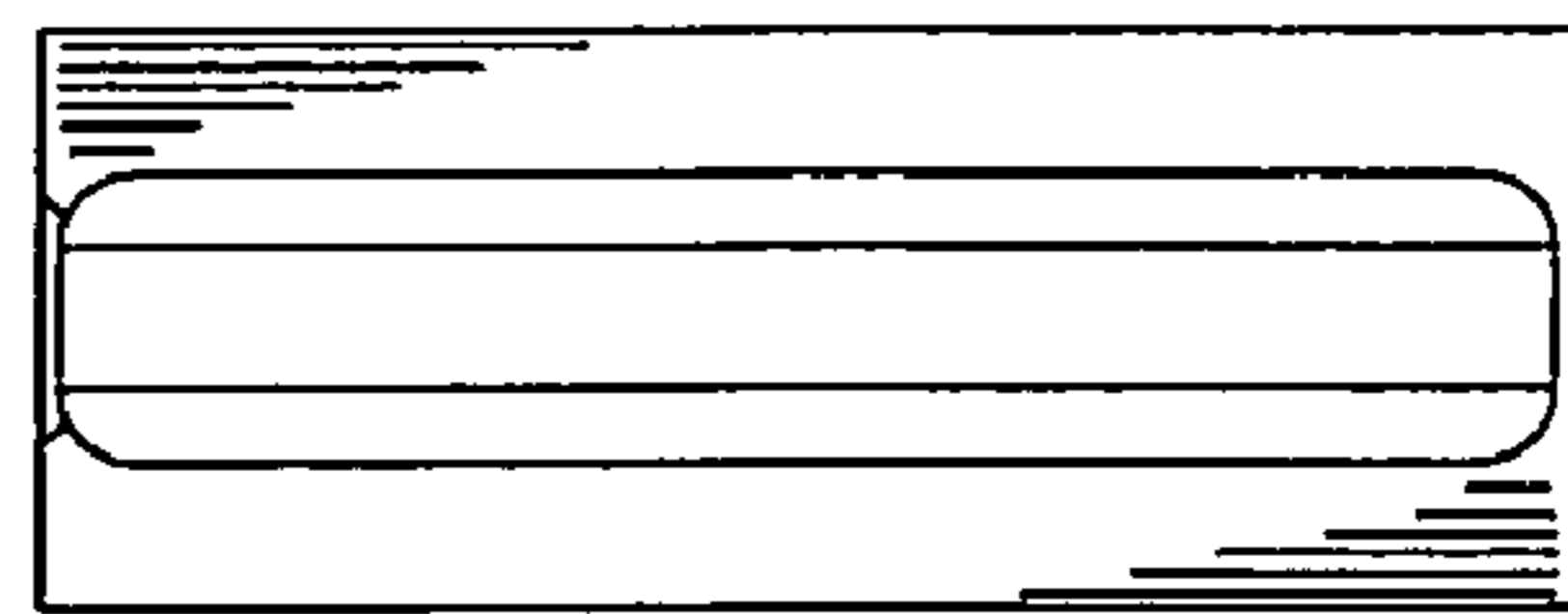


FIG. 4