



US00D635298S

(12) **United States Design Patent**
Hsu

(10) **Patent No.:** **US D635,298 S**

(45) **Date of Patent:** **** Mar. 29, 2011**

(54) **HAIR CLIP**

(76) Inventor: **Shih-Ling Hsu**, Tainan (TW)

(**) Term: **14 Years**

(21) Appl. No.: **29/376,018**

(22) Filed: **Sep. 30, 2010**

(51) **LOC (9) Cl.** **28-03**

(52) **U.S. Cl.** **D28/40**

(58) **Field of Classification Search** D28/31-34,
D28/39-43; 132/101, 126, 128-131, 144,
132/148, 219, 275-284

See application file for complete search history.

(56) **References Cited**

U.S. PATENT DOCUMENTS

D410,302 S	*	5/1999	Yasuda	D28/40
D414,583 S	*	9/1999	Yasuda	D28/40
D536,132 S	*	1/2007	Vergona	D28/40
D541,983 S	*	5/2007	Au	D28/40
D552,793 S	*	10/2007	Pichon	D28/40
D554,288 S	*	10/2007	Vergona	D28/40

D562,498 S	*	2/2008	Vergona	D28/40
D580,101 S	*	11/2008	Pichon	D28/40
D580,102 S	*	11/2008	Pichon	D28/40
D580,104 S	*	11/2008	Pichon	D28/40
D583,991 S	*	12/2008	Pichon	D28/40
D602,200 S	*	10/2009	Pichon	D28/40

* cited by examiner

Primary Examiner — Janice E Seeger

Assistant Examiner — Zenia I Bennett

(57) **CLAIM**

The ornamental design for a hair clip, as shown.

DESCRIPTION

FIG. 1 is a perspective view of a hair clip showing my new design thereof;

FIG. 2 is a front elevational view thereof;

FIG. 3 is a rear elevational view thereof;

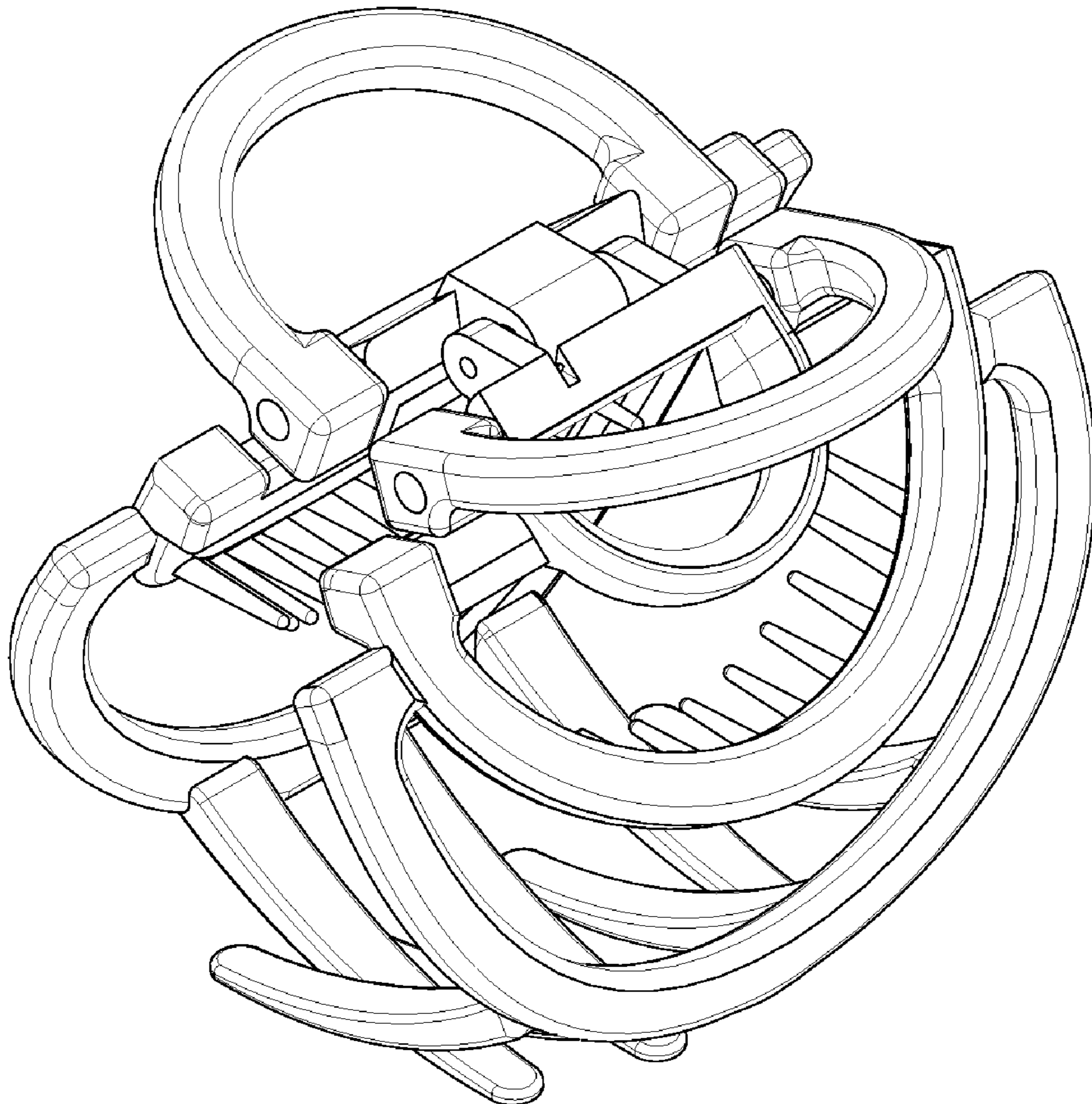
FIG. 4 is a left side elevational view thereof;

FIG. 5 is a right side elevational view thereof;

FIG. 6 is a top plan view thereof; and,

FIG. 7 is a bottom plan view thereof.

1 Claim, 4 Drawing Sheets



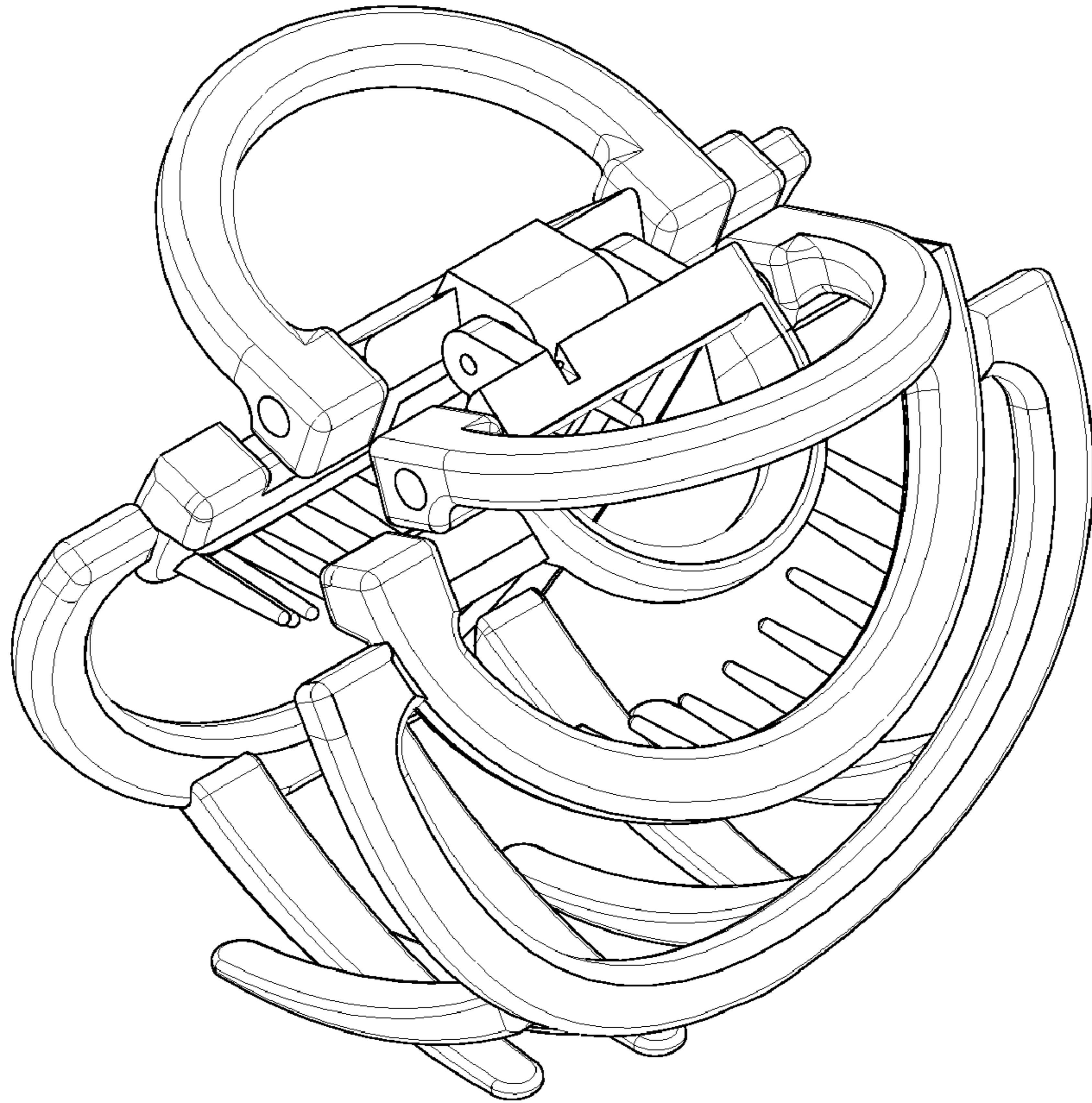


FIG. 1

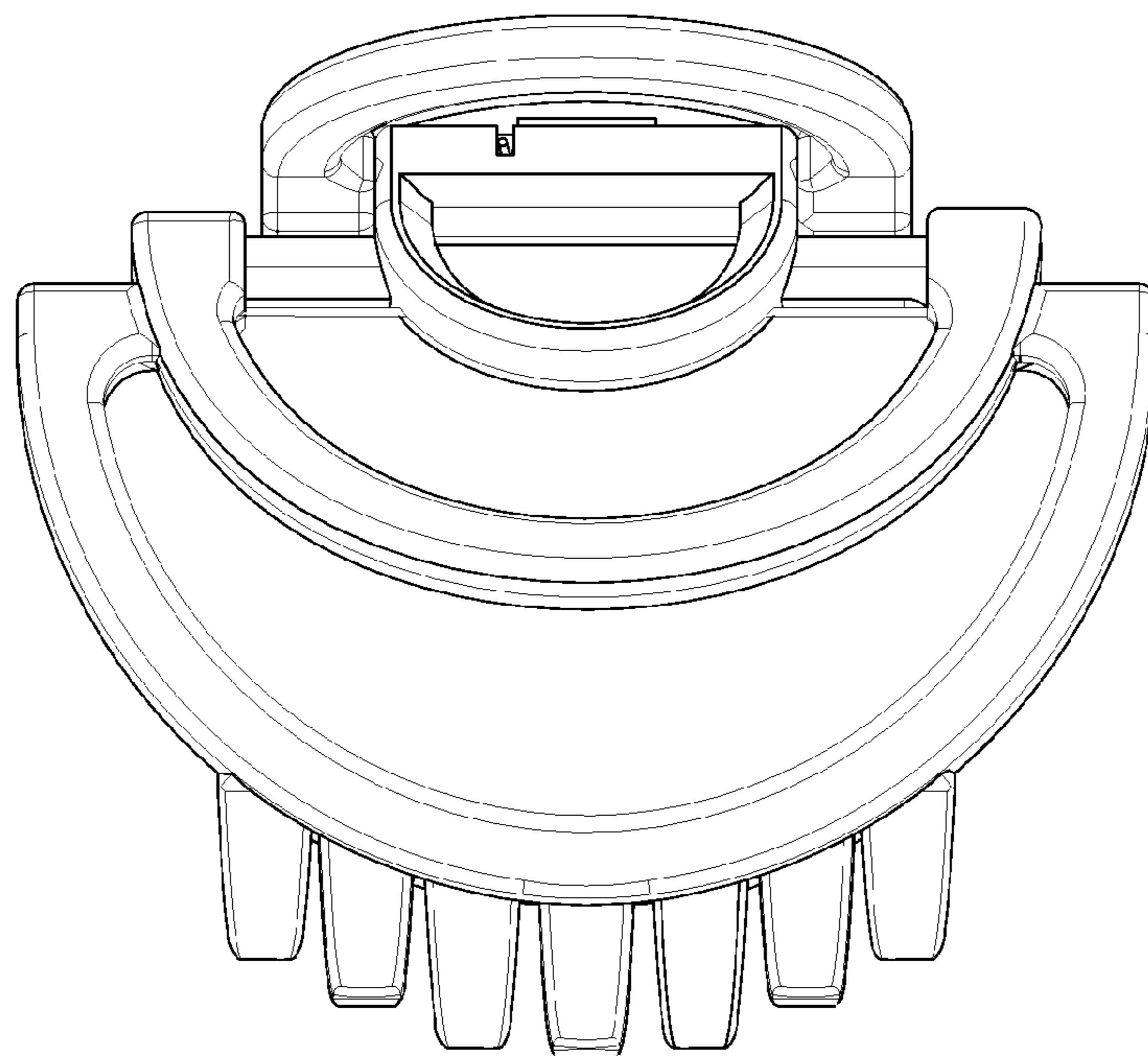


FIG. 2

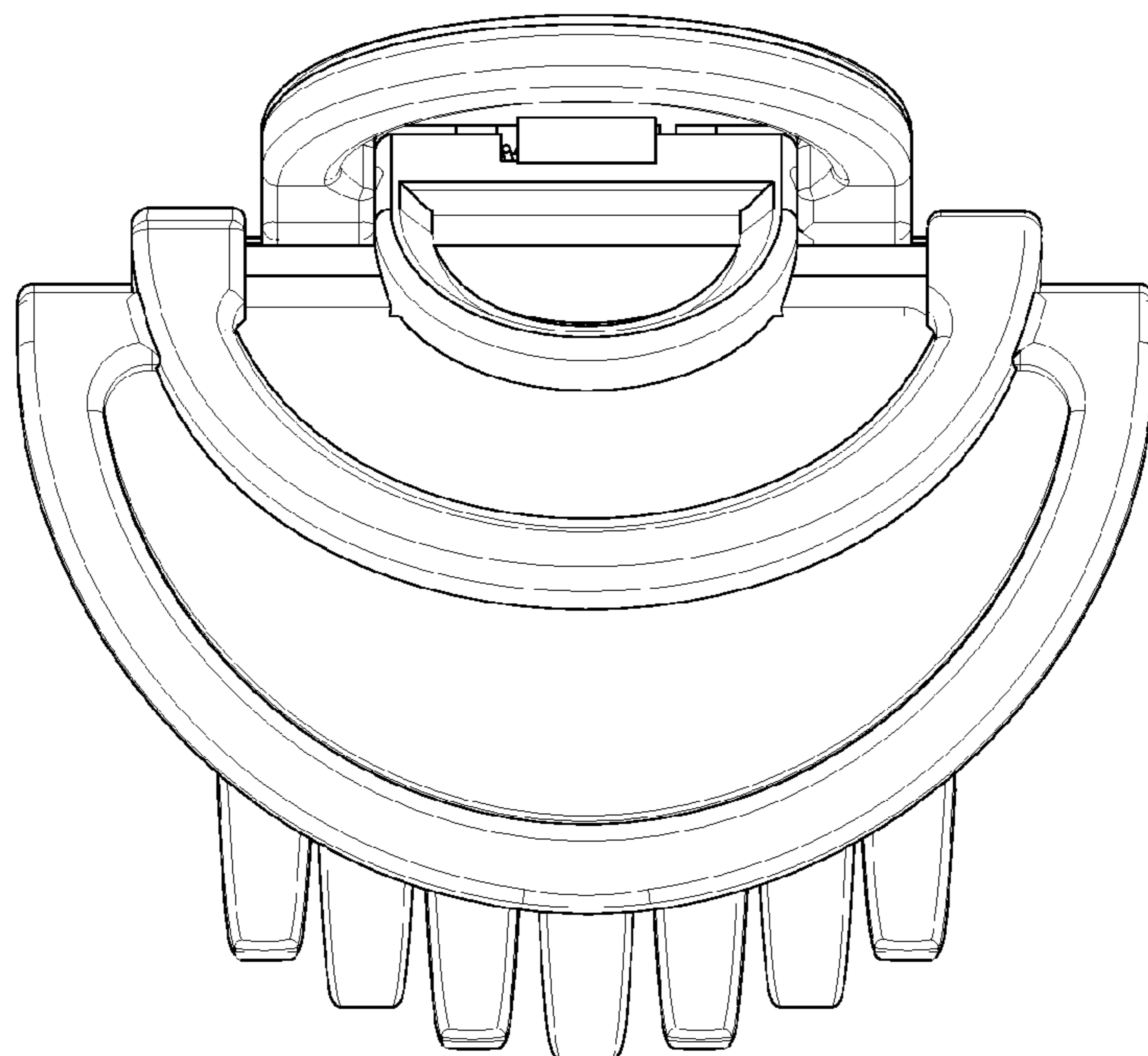


FIG. 3

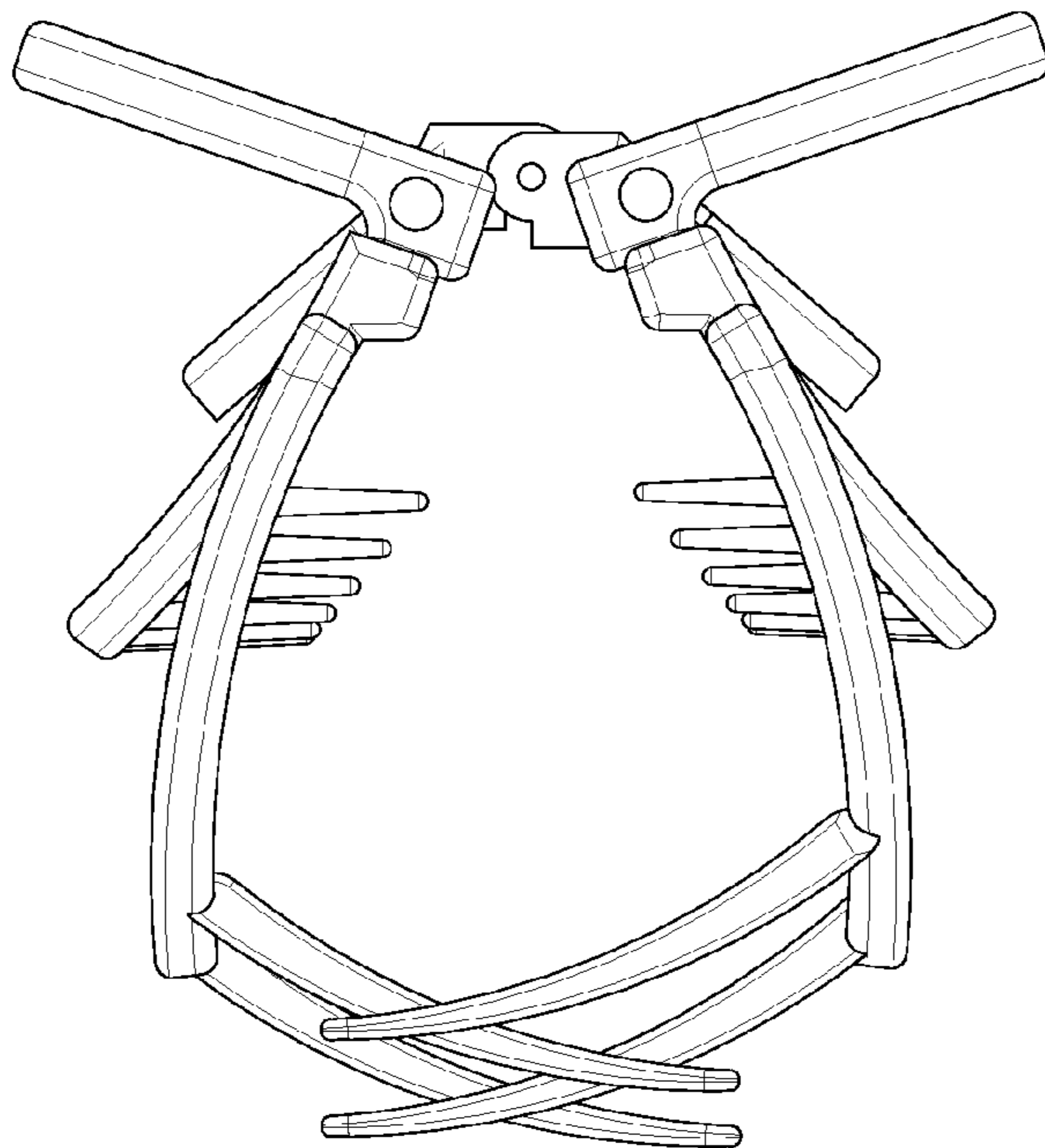


FIG. 4

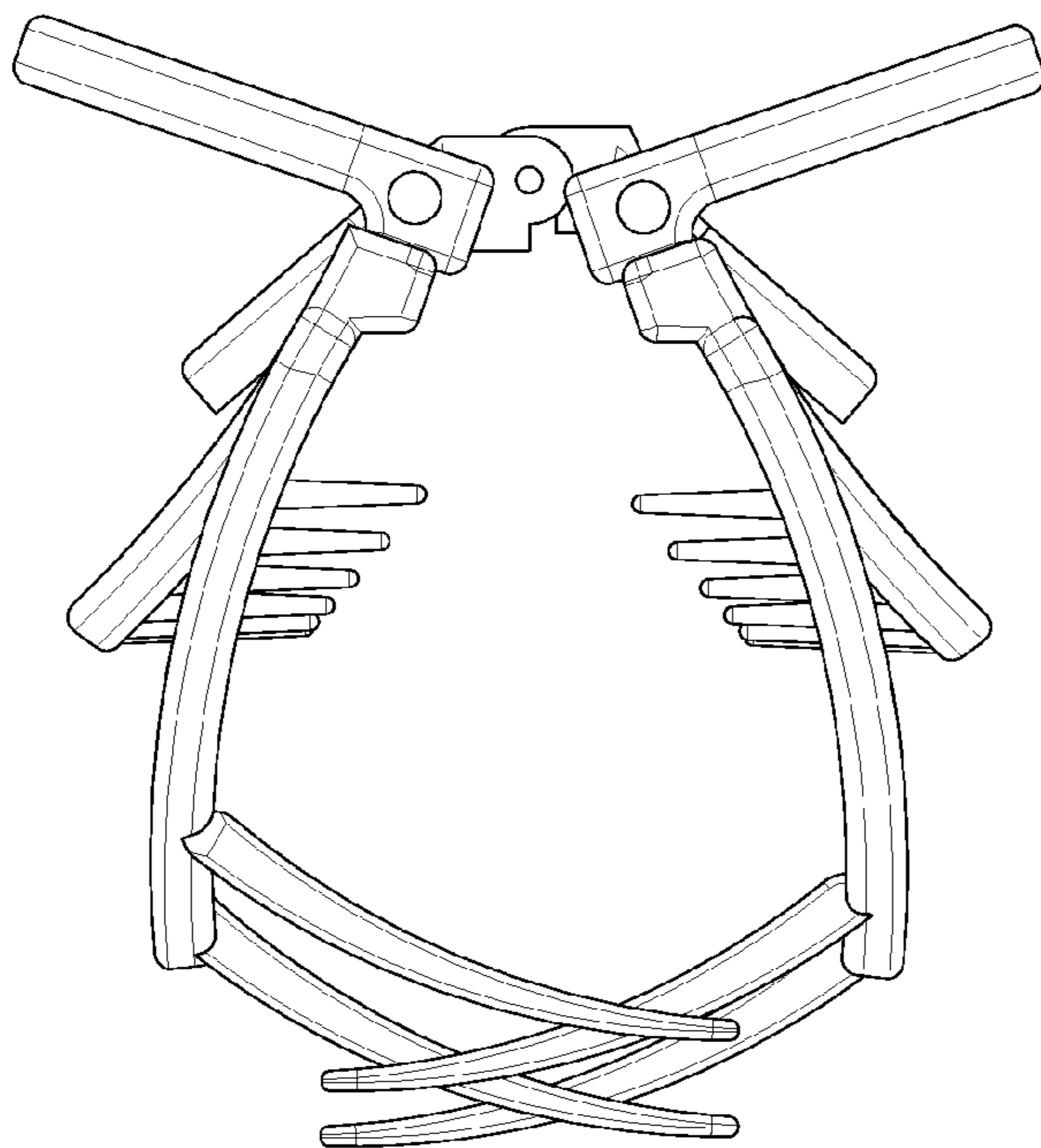


FIG. 5

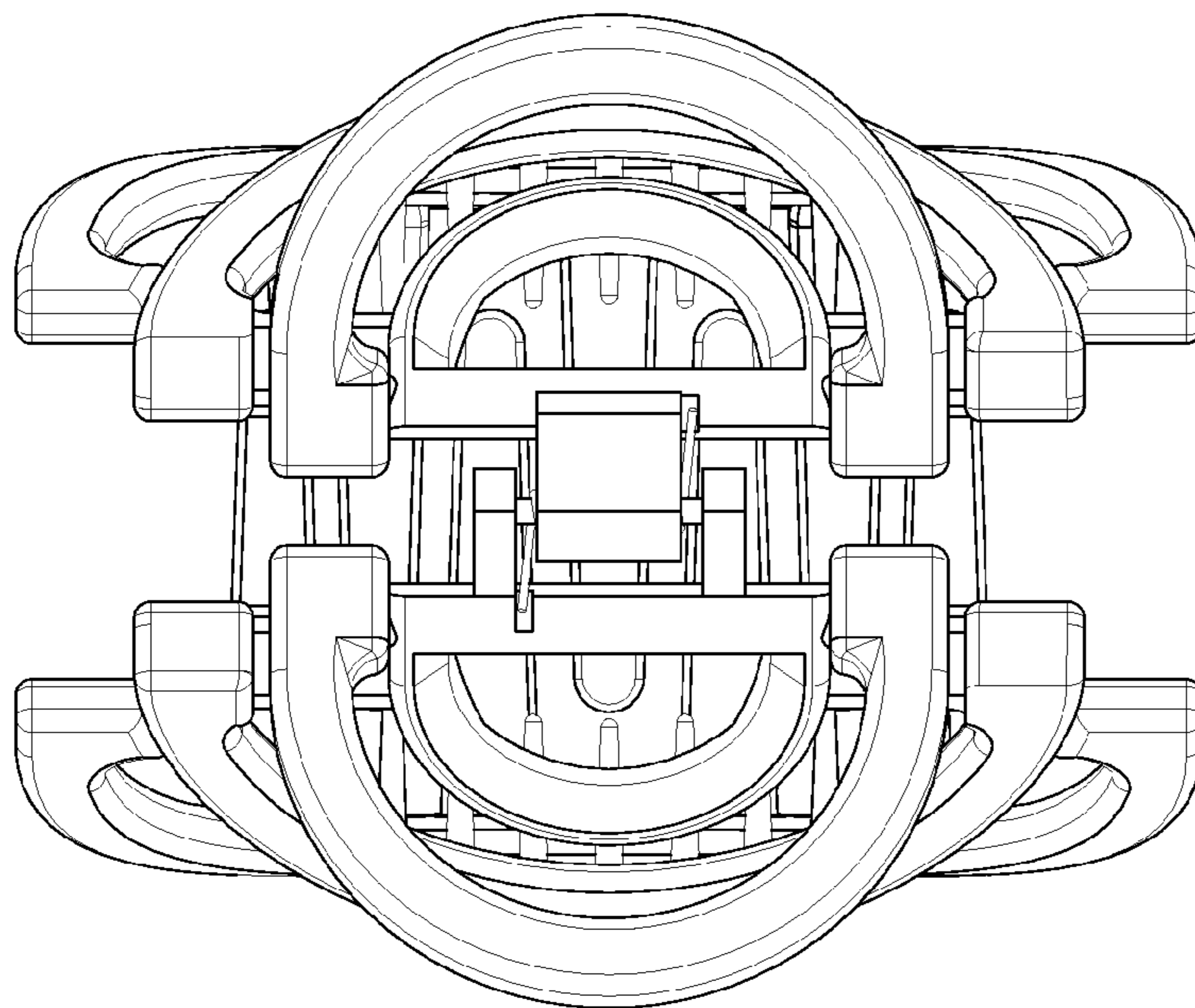


FIG. 6

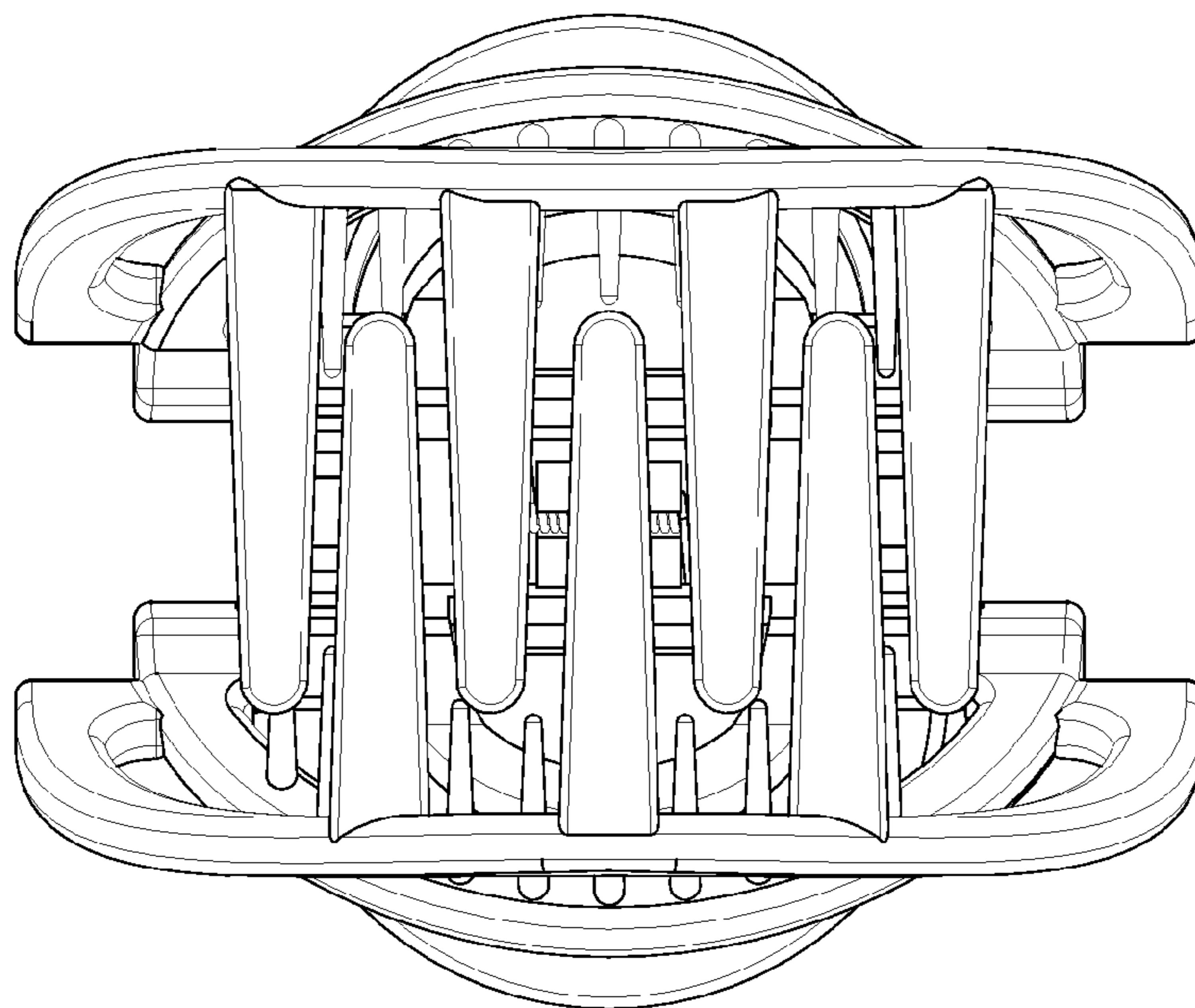


FIG. 7