



US00D635293S

(12) **United States Design Patent**
Weiss

(10) **Patent No.:** **US D635,293 S**
(45) **Date of Patent:** **** Mar. 29, 2011**

(54) **BASE FOR A REPLACEABLE LIGHTING UNIT**

- (75) Inventor: **William J. Weiss**, Boca Raton, FL (US)
- (73) Assignee: **MSI, LLC**, Deerfield Beach, FL (US)
- (**) Term: **14 Years**
- (21) Appl. No.: **29/360,855**
- (22) Filed: **Apr. 30, 2010**

Related U.S. Application Data

- (62) Division of application No. 29/346,618, filed on Nov. 3, 2009, now Pat. No. Des. 615,698.
- (51) **LOC (9) Cl.** **26-99**
- (52) **U.S. Cl.** **D26/142**
- (58) **Field of Classification Search** D26/85, D26/133, 134, 136, 122, 138, 118, 131, 137, D26/124, 69, 68, 67, 71, 125, 149, 147, 156, D26/94, 73, 32, 47, 57, 152, 74, 142, 2, 52, D26/72, 113, 140, 60, 51, 38, 135, 119, 120, D26/121, 123; D8/71, 72, 395, 328; D19/65, D19/90; 248/206.5, 389, 229.13, 229.15; D32/8, 55, 58; 211/106, 119.01, 119.09, 211/85.15; 439/540.1; 362/183, 249.01-249.11, 362/356, 365, 523, 190, 191, 351, 352, 357, 362/358; D24/99, 327, 134, 227; D2/624; 24/316, 306, 339, 3.1, 3.11, 3.12; D6/557, D6/462; 52/19, 28; 8/38; D14/511, 496
See application file for complete search history.

(56) **References Cited**

U.S. PATENT DOCUMENTS

- D284,792 S * 7/1986 Thiry et al. D26/2
- D306,765 S 3/1990 Pavelin
- D309,503 S 7/1990 Benson et al.
- D321,762 S * 11/1991 Mujahid et al. D26/2
- D327,132 S 6/1992 Schuster

- D329,710 S * 9/1992 Muller et al. D26/26
- D384,173 S * 9/1997 Godyak et al. D26/3
- 5,757,110 A 5/1998 Motiduki et al.
- D395,092 S * 6/1998 Vakil D26/2
- D398,407 S 9/1998 O'Connell et al.
- D435,576 S * 12/2000 McBride D16/203
- D435,577 S 12/2000 McBride
- D463,584 S * 9/2002 Yim D26/2
- D469,890 S * 2/2003 Bobel D26/2
- D470,604 S 2/2003 Bobel
- D470,606 S 2/2003 Bobel
- D498,007 S * 11/2004 Bobel D26/2
- D519,455 S * 4/2006 Tufano et al. D13/134
- D532,532 S 11/2006 Maxik

(Continued)

Primary Examiner — Cathron C Brooks

Assistant Examiner — Kevin K Rudzinski

(74) *Attorney, Agent, or Firm* — Daniel C. Crilly, Esq.; Gray Robinson, P.A.

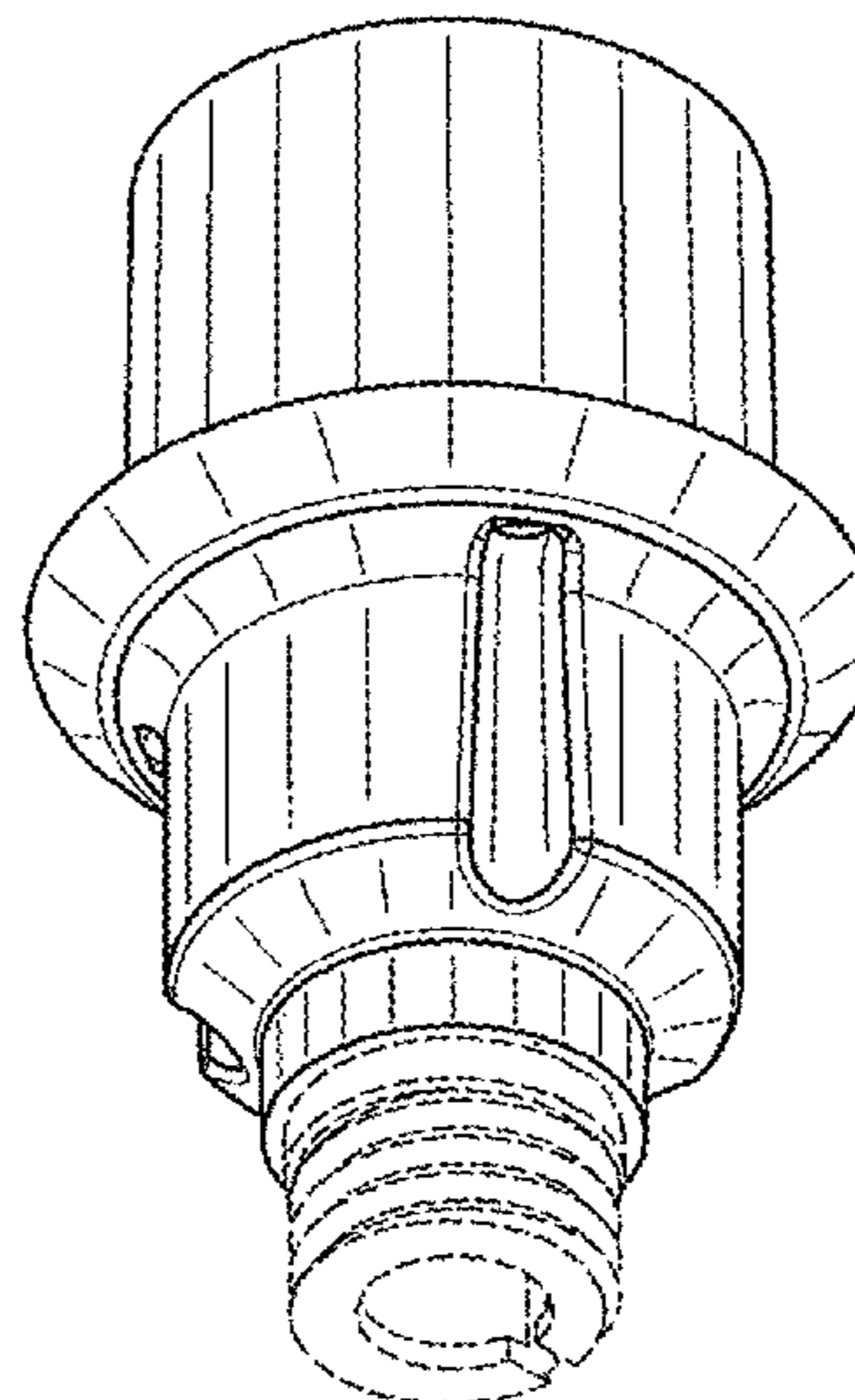
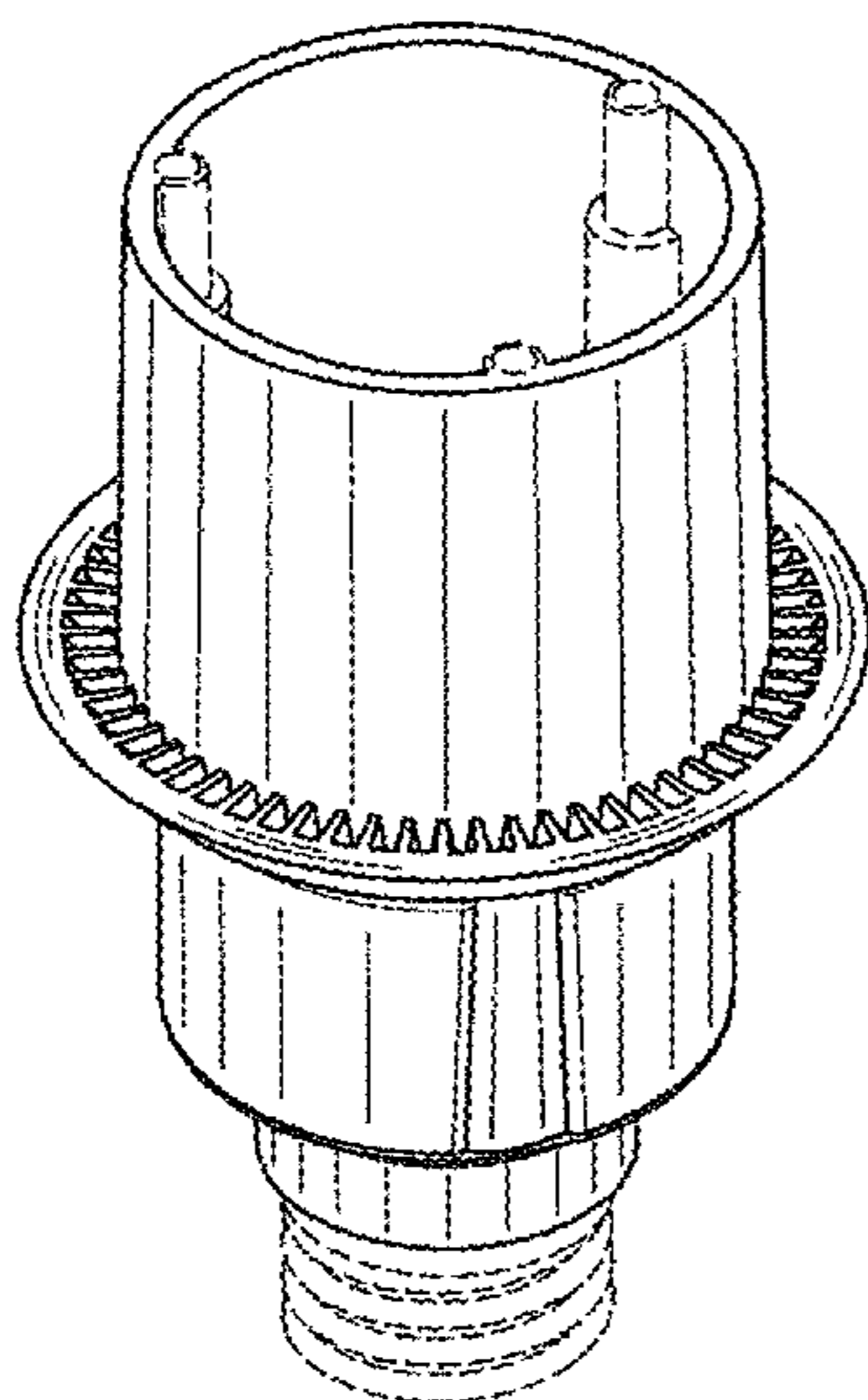
(57) **CLAIM**

The ornamental design for a base for a replaceable lighting unit, as shown and described.

DESCRIPTION

FIG. 1 is a front perspective view of my ornamental design for a base for a replaceable lighting unit.
 FIG. 2 is a rear perspective view thereof.
 FIG. 3 is a front elevational view thereof.
 FIG. 4 is a rear elevational view thereof.
 FIG. 5 is a top plan view thereof.
 FIG. 6 is a bottom plan view thereof.
 FIG. 7 is a left side elevational view thereof.
 FIG. 8 is a right side elevational view thereof; and,
 FIG. 9 is a rear, bottom perspective view thereof in a position of use in a replaceable lighting unit.
 The structures shown in broken lines in FIGS. 1-9 form no part of the claimed design and are included only to illustrate an environment.

1 Claim, 5 Drawing Sheets



US D635,293 S

Page 2

U.S. PATENT DOCUMENTS

D542,943 S *	5/2007	Wang	D26/2					
D544,110 S	6/2007	Hooker et al.							
D545,456 S *	6/2007	Foo	D26/2					
D546,980 S *	7/2007	Lo	D26/2					
D547,886 S	7/2007	Foo							
D561,917 S	2/2008	Tsao							
D566,300 S *	4/2008	Lo	D26/2					
D581,555 S	11/2008	To et al.							
D582,578 S *	12/2008	Tsai et al.	D26/2					
D587,823 S *	3/2009	Li et al.	D26/2					
D593,223 S *	5/2009	Komar	D26/2					
D593,706 S	6/2009	Zayas et al.							
D596,764 S *	7/2009	Yang et al.	D26/2					
D598,143 S	8/2009	Gerritsen							
D601,721 S	10/2009	Foo							
D602,178 S	10/2009	Foo							
D602,181 S *	10/2009	Foo	D26/2					
D603,982 S *	11/2009	Foo	D26/2					

* cited by examiner

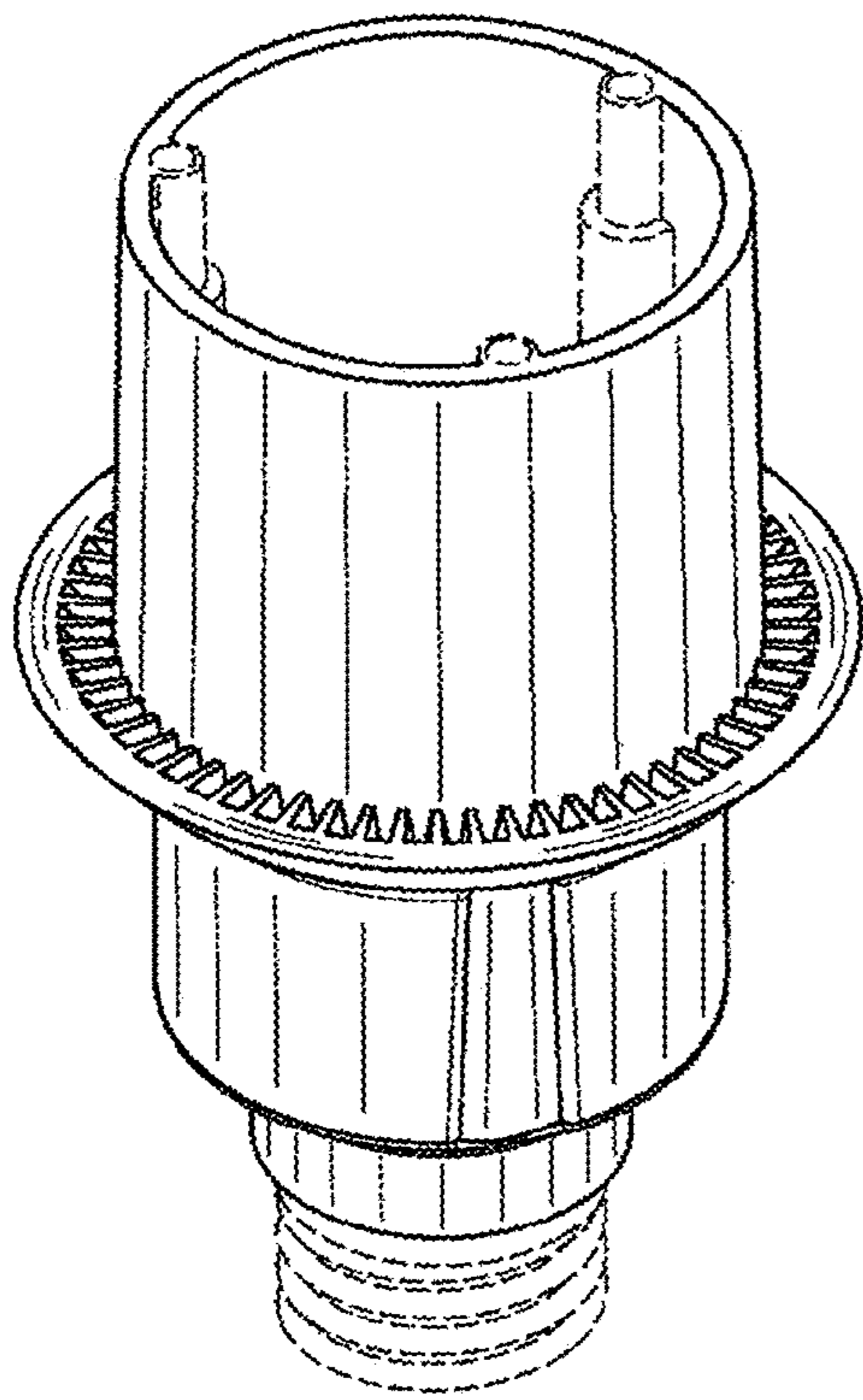


FIG. 1

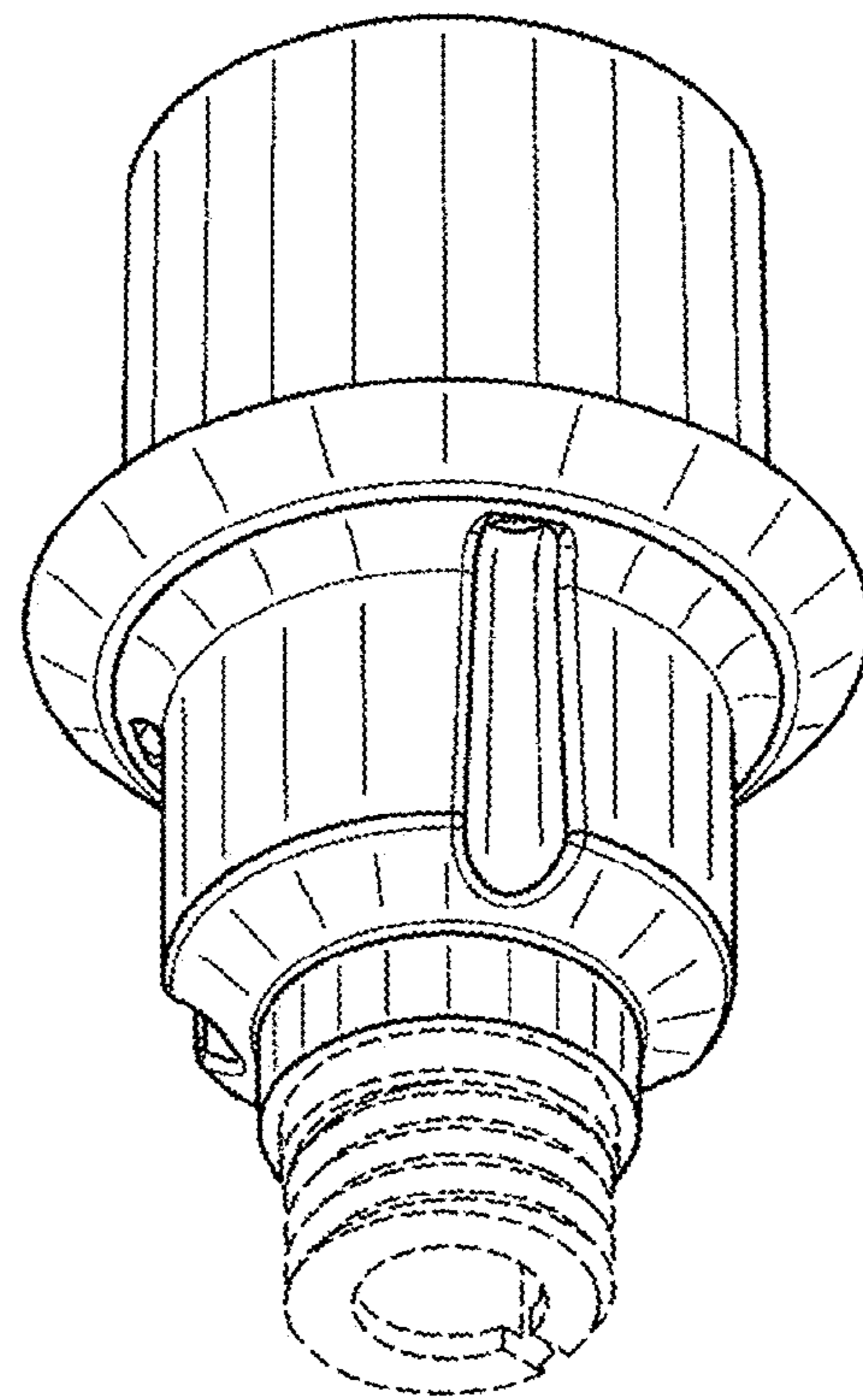


FIG. 2

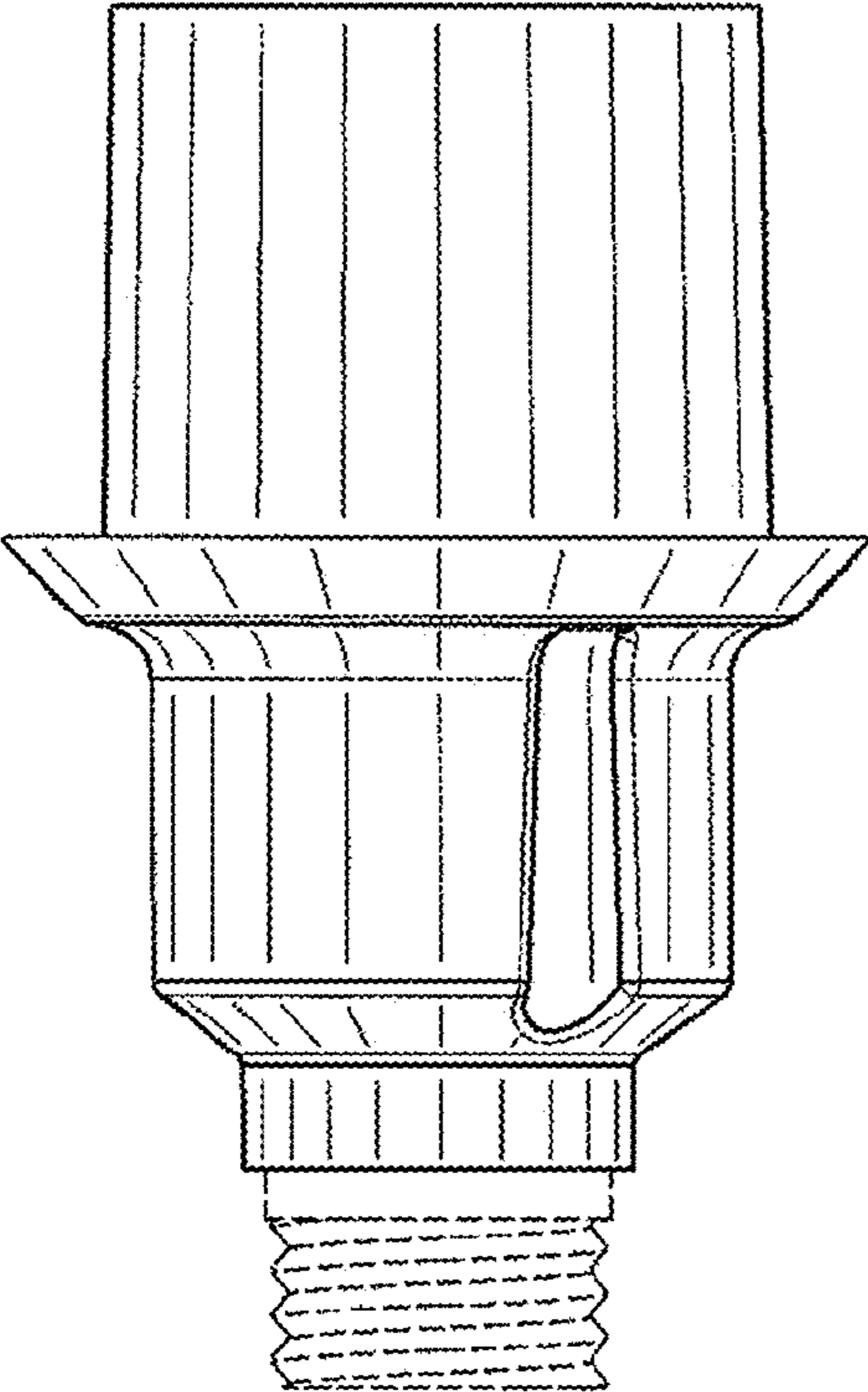


FIG. 3

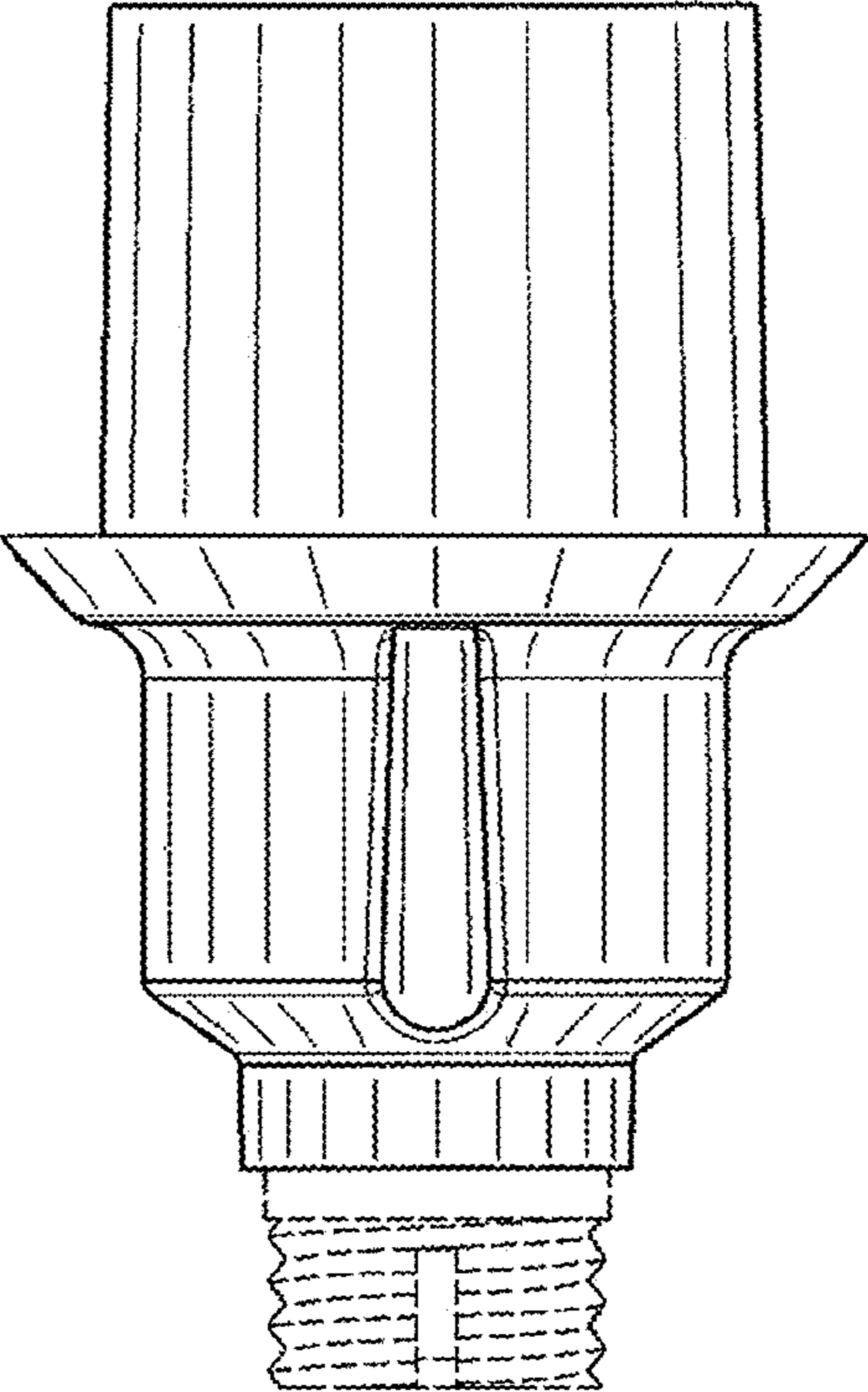


FIG. 4

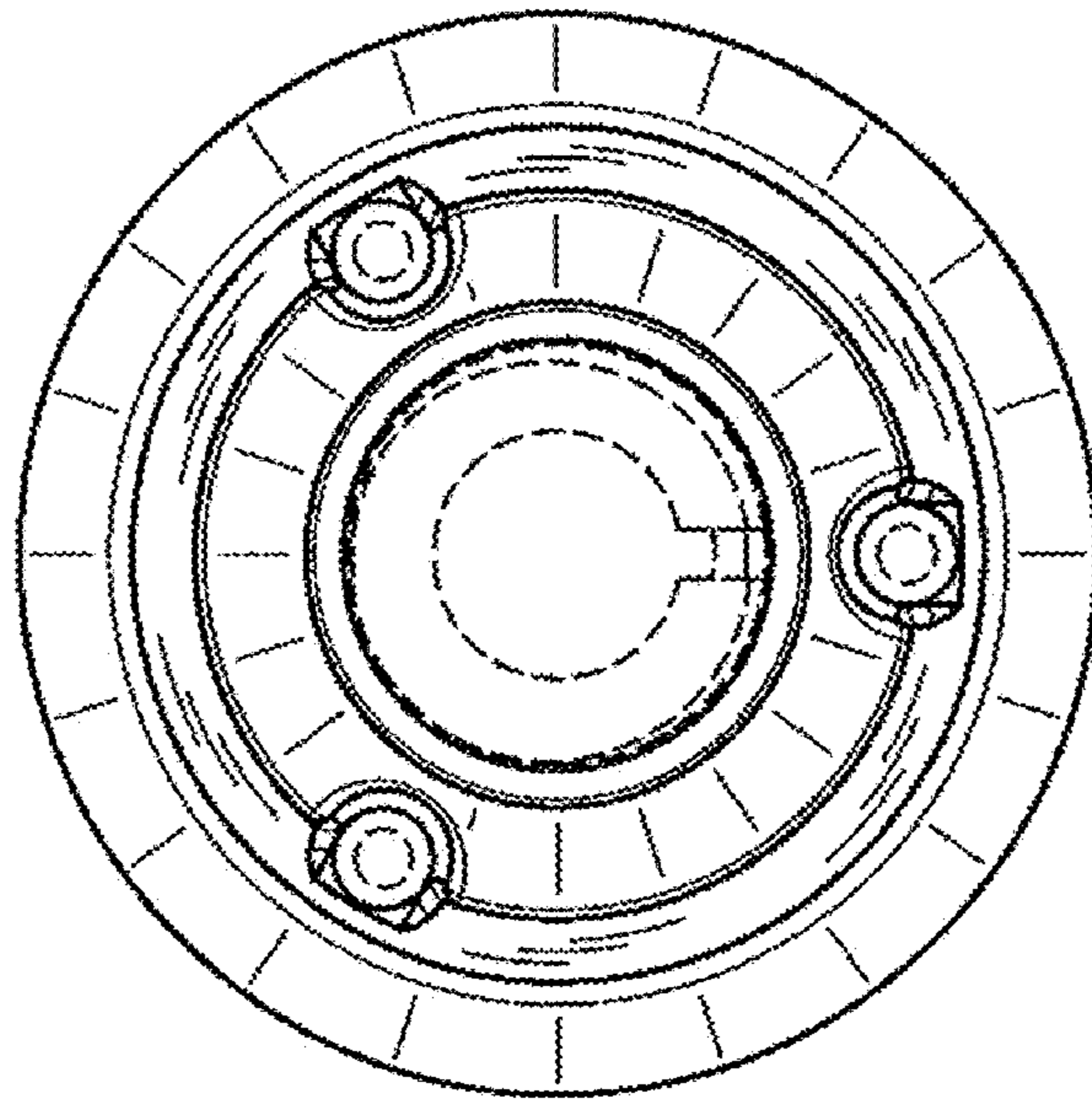


FIG. 5

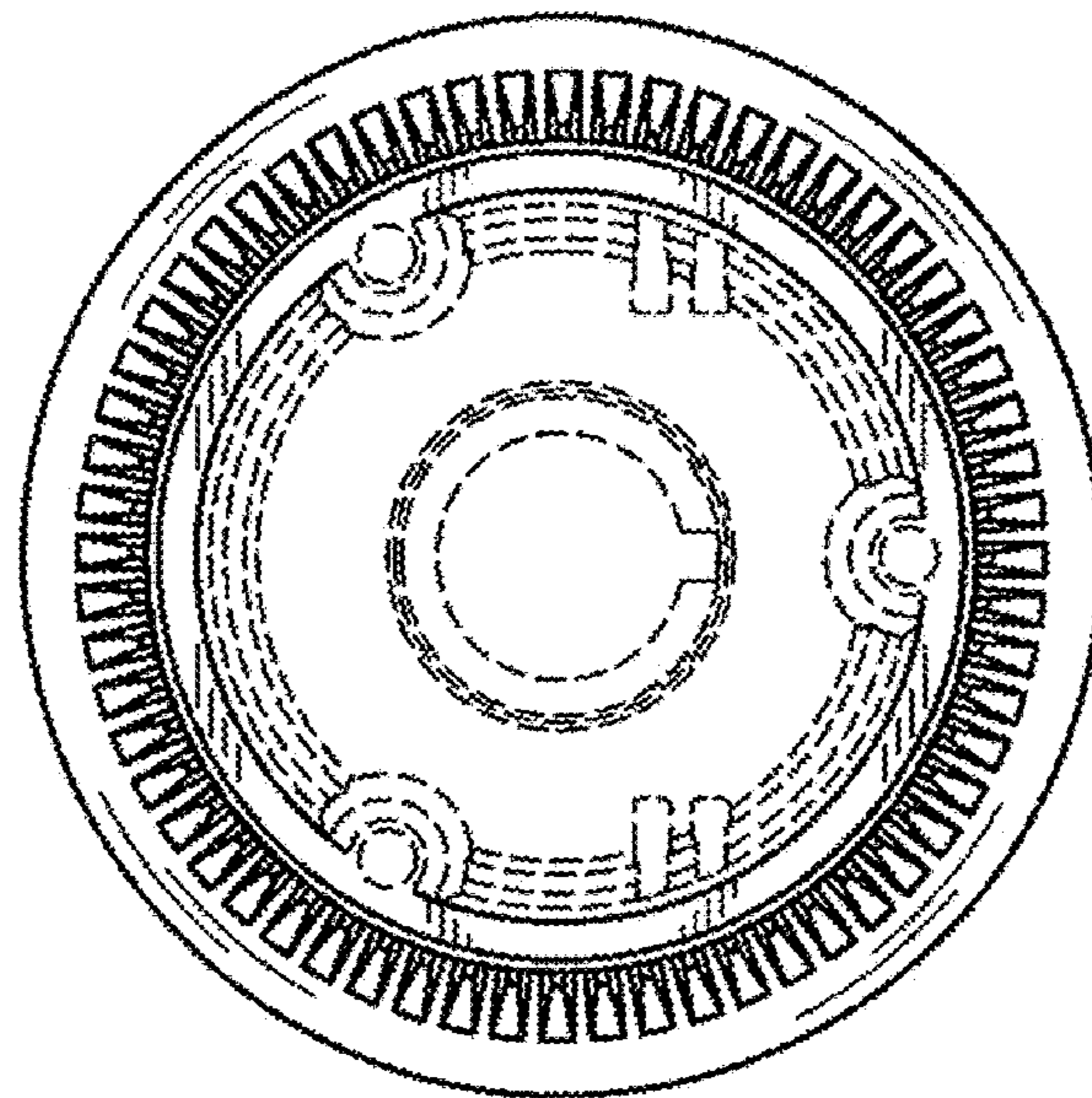


FIG. 6

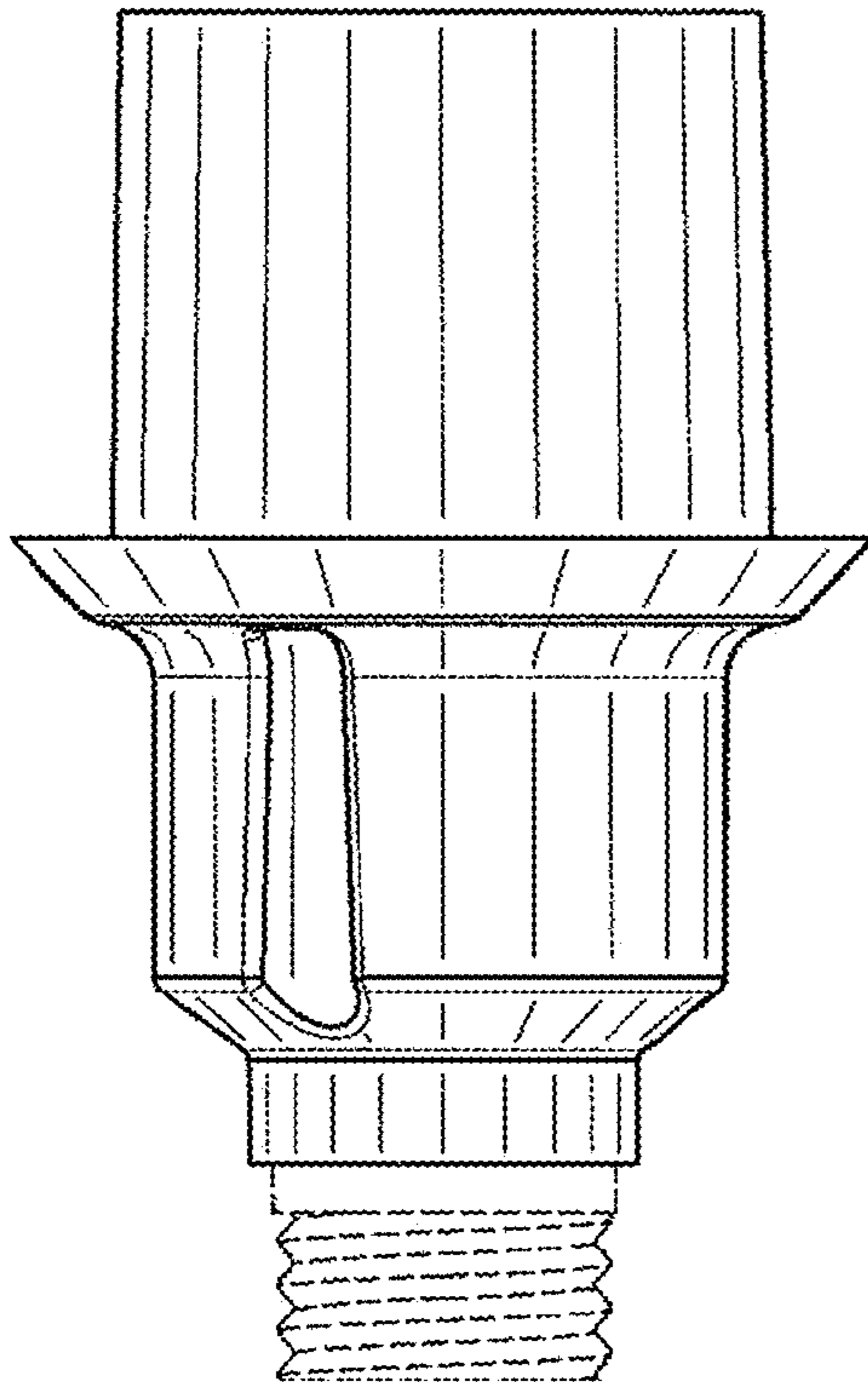


FIG. 7

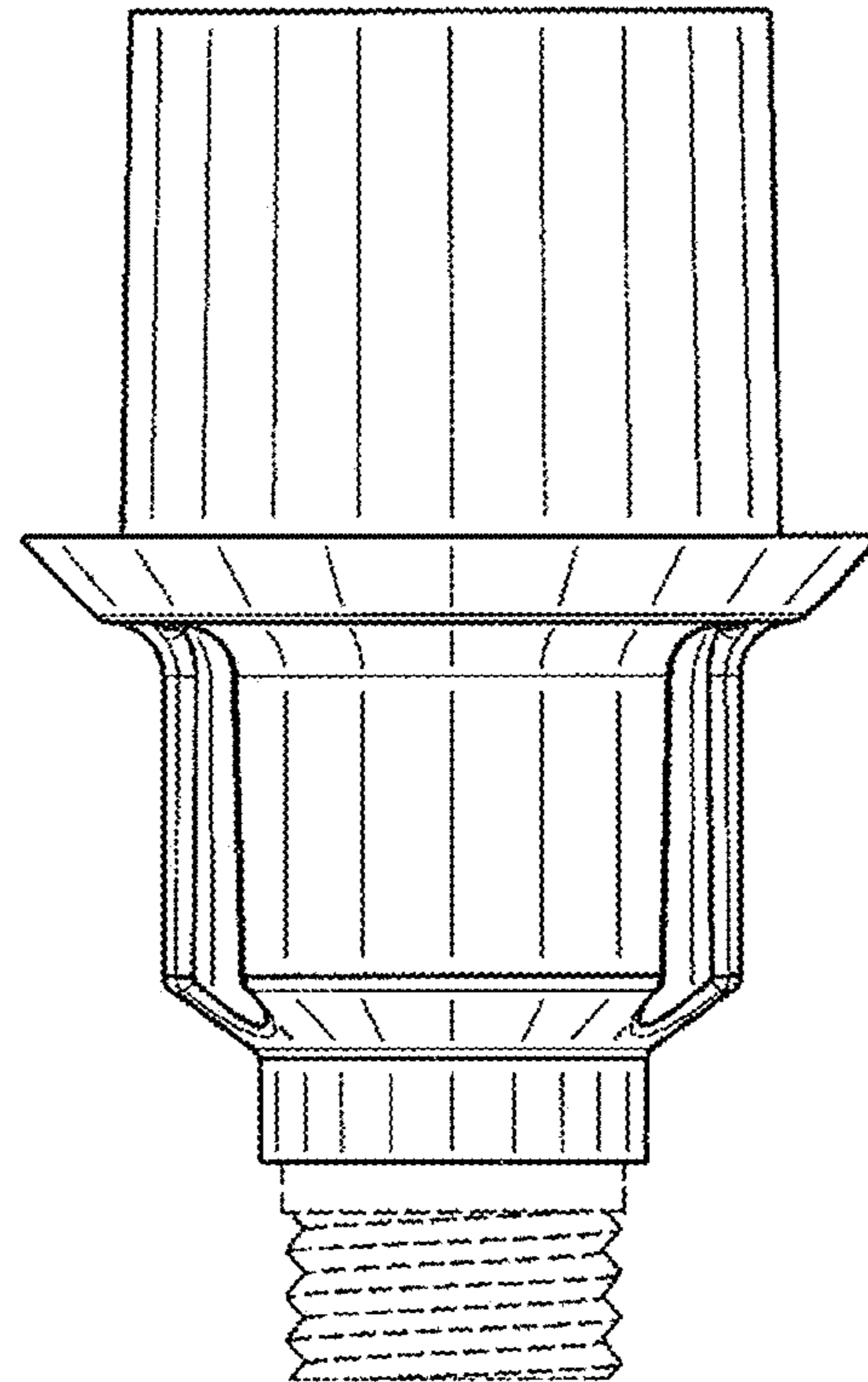


FIG. 8

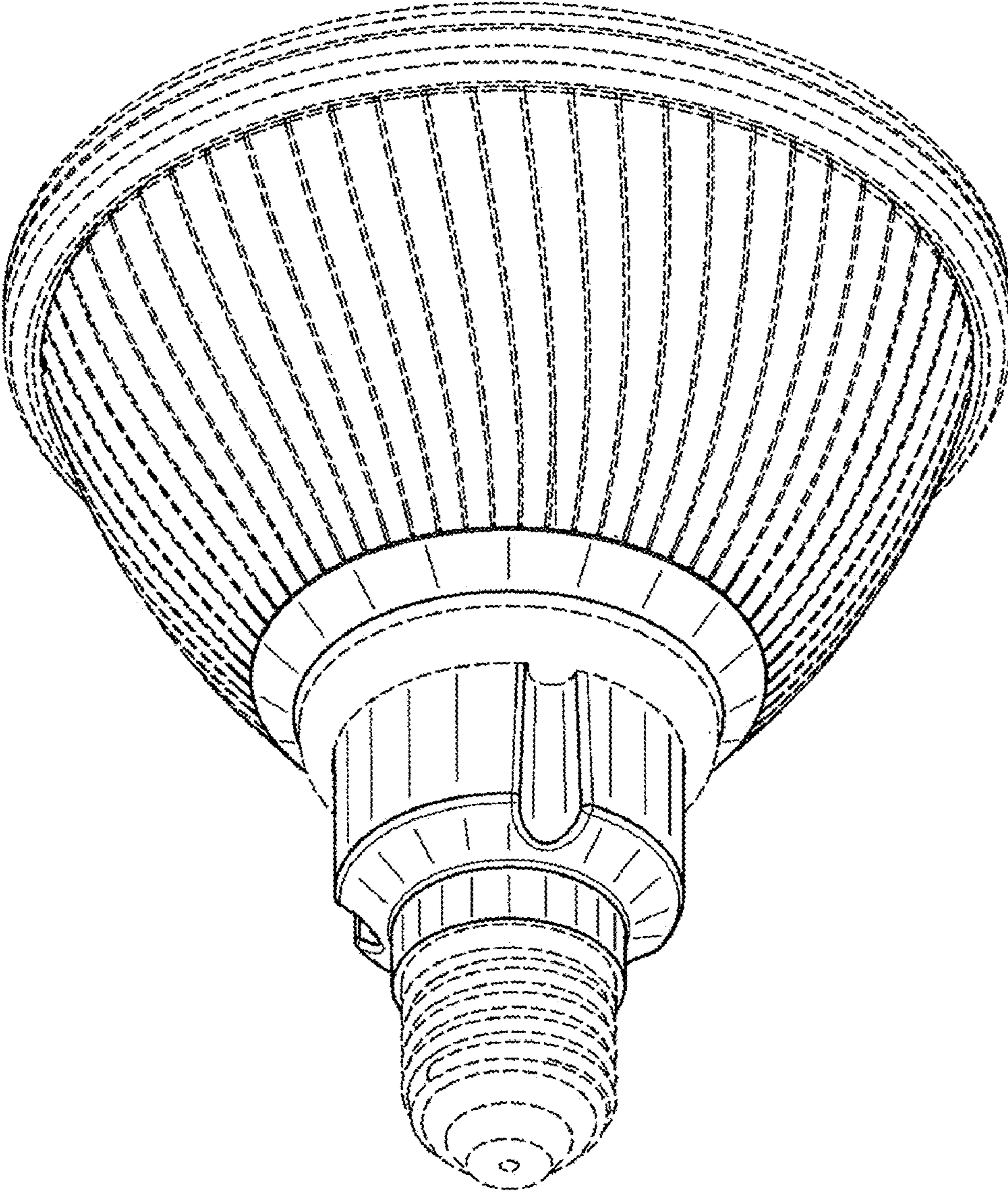


FIG. 9