



US00D635292S

(12) **United States Design Patent**  
**Chiang et al.**

(10) **Patent No.:** **US D635,292 S**  
(45) **Date of Patent:** **\*\* Mar. 29, 2011**

(54) **LED LAMP MODULE**

(75) Inventors: **Wen-Hsing Chiang**, Taoyuan Hsien (TW); **Hsien-Tsung Kuan**, Taoyuan Hsien (TW); **Yu-Shu Lin**, Taoyuan Hsien (TW); **Chih-Yuan Huang**, Taoyuan Hsien (TW)

(73) Assignee: **Delta Electronics, Inc.**, Taoyuan Hsien (TW)

(\*\*) Term: **14 Years**

(21) Appl. No.: **29/367,122**

(22) Filed: **Aug. 3, 2010**

(51) **LOC (9) Cl.** ..... **26-03**

(52) **U.S. Cl.** ..... **D26/88**

(58) **Field of Classification Search** ..... D26/74,  
D26/75-78, 81-91; 362/147, 217.01, 217.04,  
362/217.06, 217.07, 218, 249.02, 294, 404-408  
See application file for complete search history.

(56) **References Cited**

**U.S. PATENT DOCUMENTS**

D210,015 S *	1/1968	Kahn	.....	D26/88
D225,125 S *	11/1972	Anderson, Jr.	.....	D26/91
D469,562 S *	1/2003	Crasset	.....	D26/90

D509,617 S *	9/2005	Benghozi	.....	D26/89
D536,820 S *	2/2007	Crosby	.....	D26/84
D551,379 S *	9/2007	Maxik	.....	D26/74
D583,984 S *	12/2008	Takahashi et al.	.....	D26/89
D588,300 S *	3/2009	Sabernig	.....	D26/89
D588,301 S *	3/2009	Sabernig	.....	D26/90
D602,192 S *	10/2009	Tunze	.....	D26/88
D604,006 S *	11/2009	Silver	.....	D26/88

\* cited by examiner

*Primary Examiner* — Clare E Heflin

(74) *Attorney, Agent, or Firm* — Muncy, Geissler, Olds & Lowe, PLLC

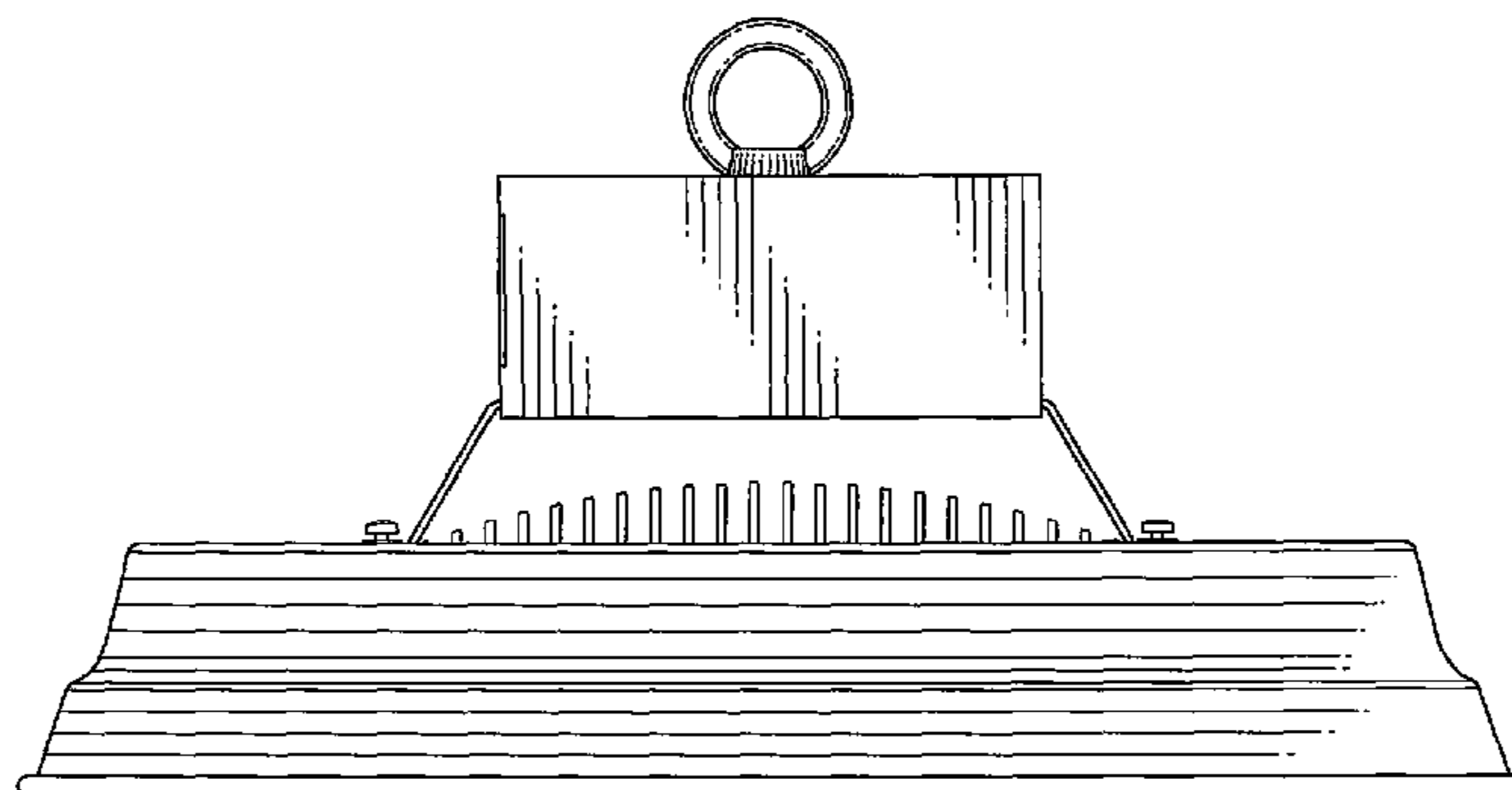
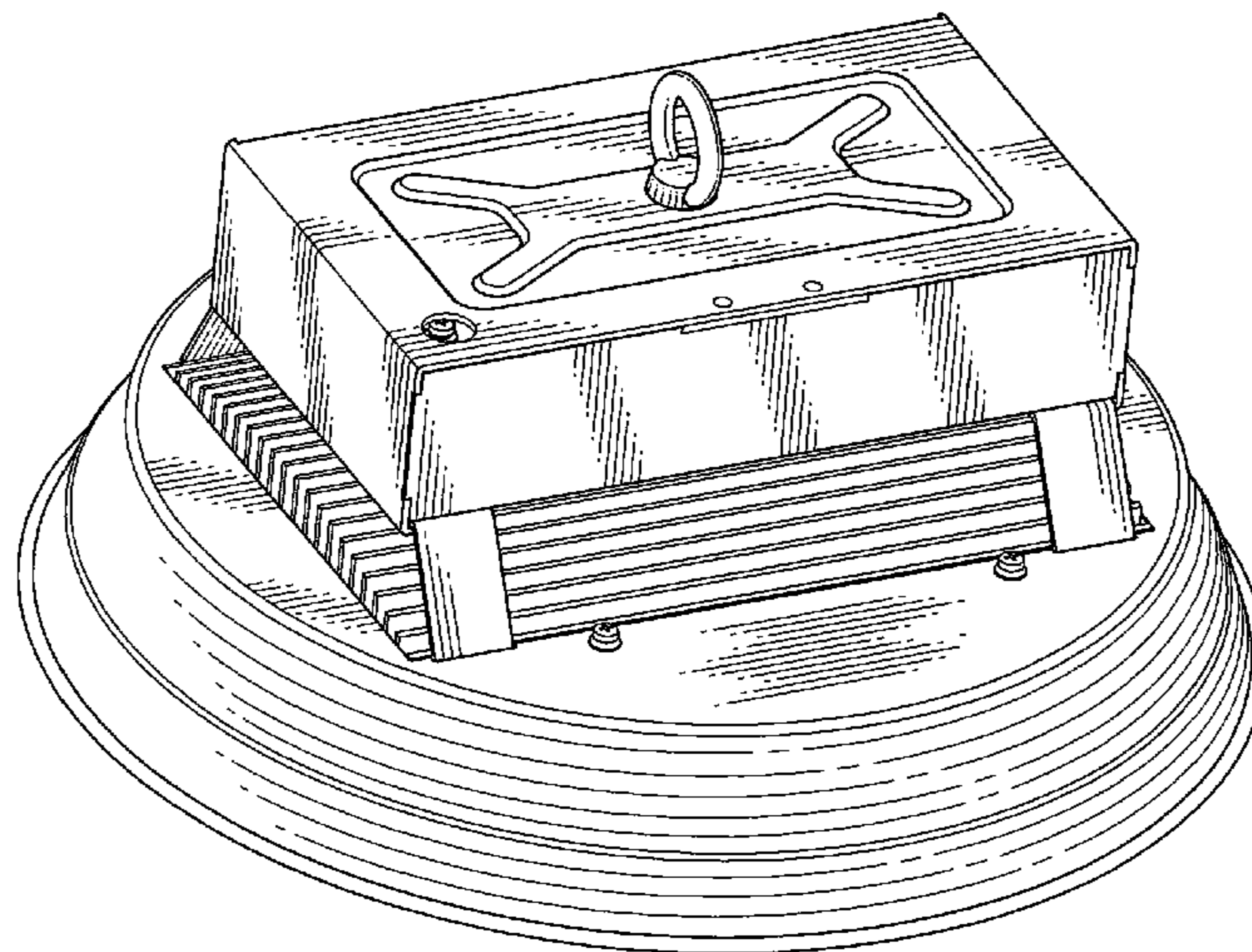
(57) **CLAIM**

The ornamental design for LED lamp module, as shown and described.

**DESCRIPTION**

FIG. 1 is a front perspective view thereof;  
FIG. 2 is a front view thereof;  
FIG. 3 is a rear view thereof;  
FIG. 4 is a left side view thereof;  
FIG. 5 is a right side view thereof;  
FIG. 6 is a top plan view thereof;  
FIG. 7 is a bottom plan view thereof; and,  
FIG. 8 is a rear perspective view thereof.

**1 Claim, 8 Drawing Sheets**



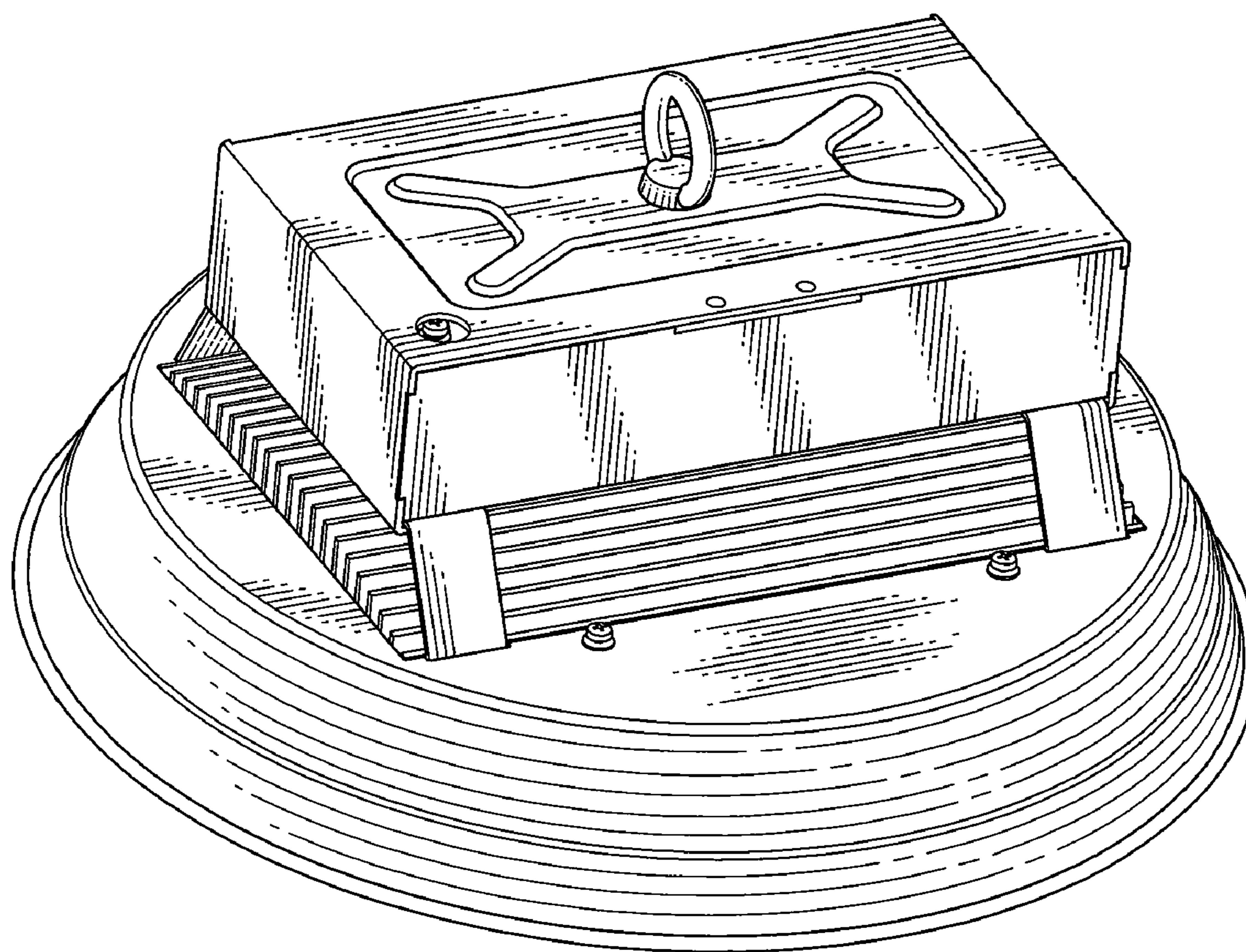


FIG. 1

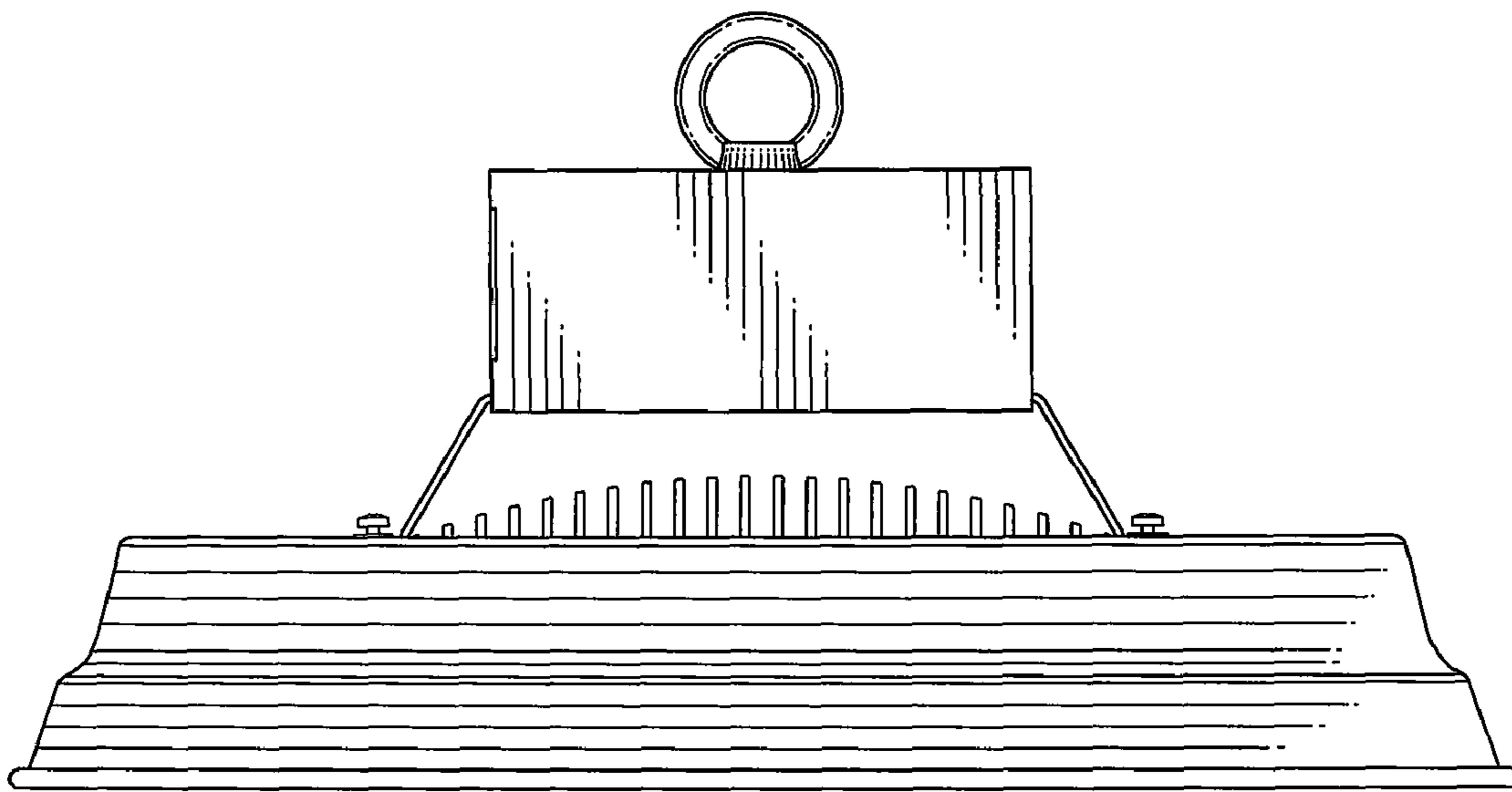


FIG. 2

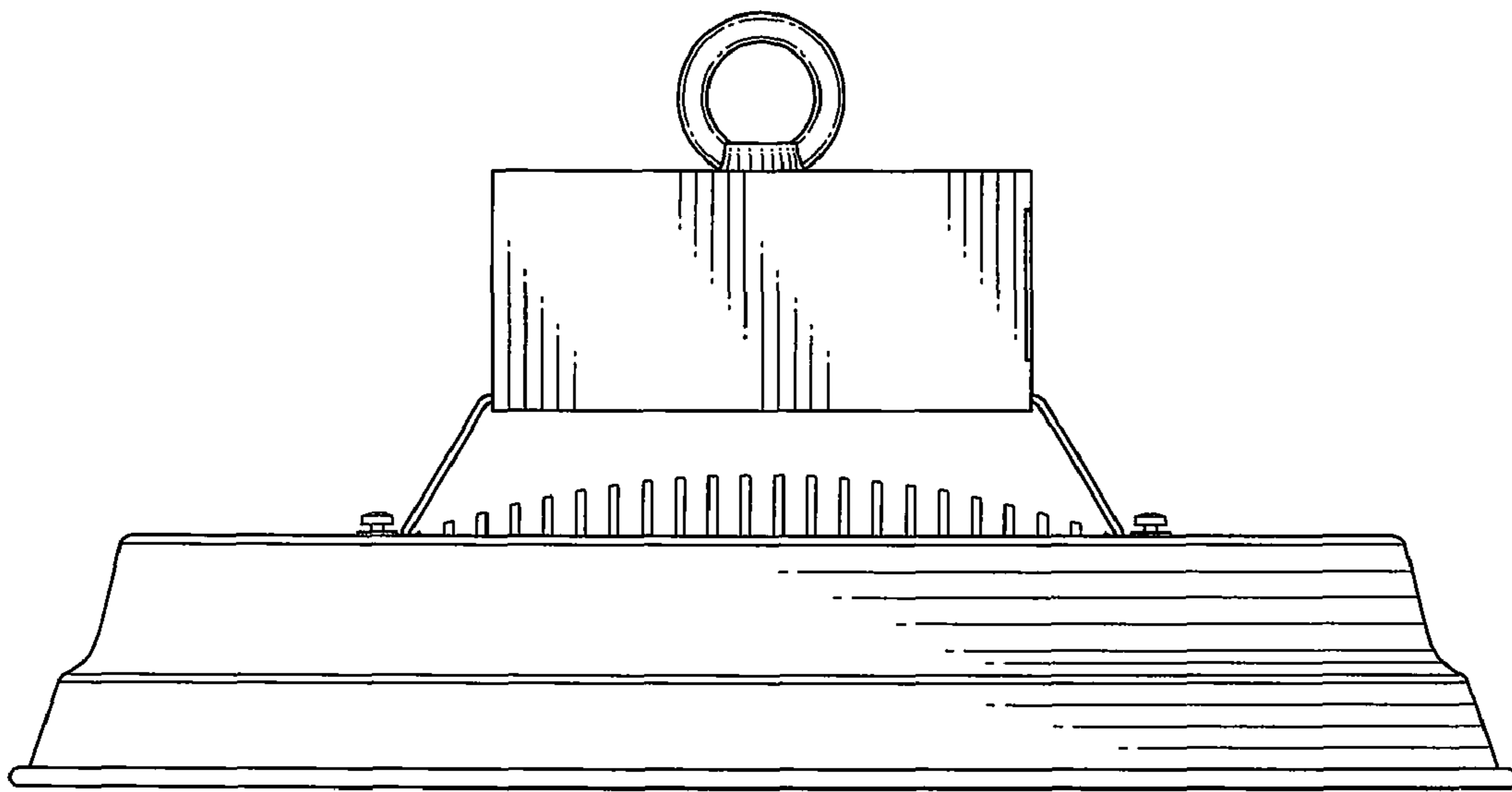


FIG. 3

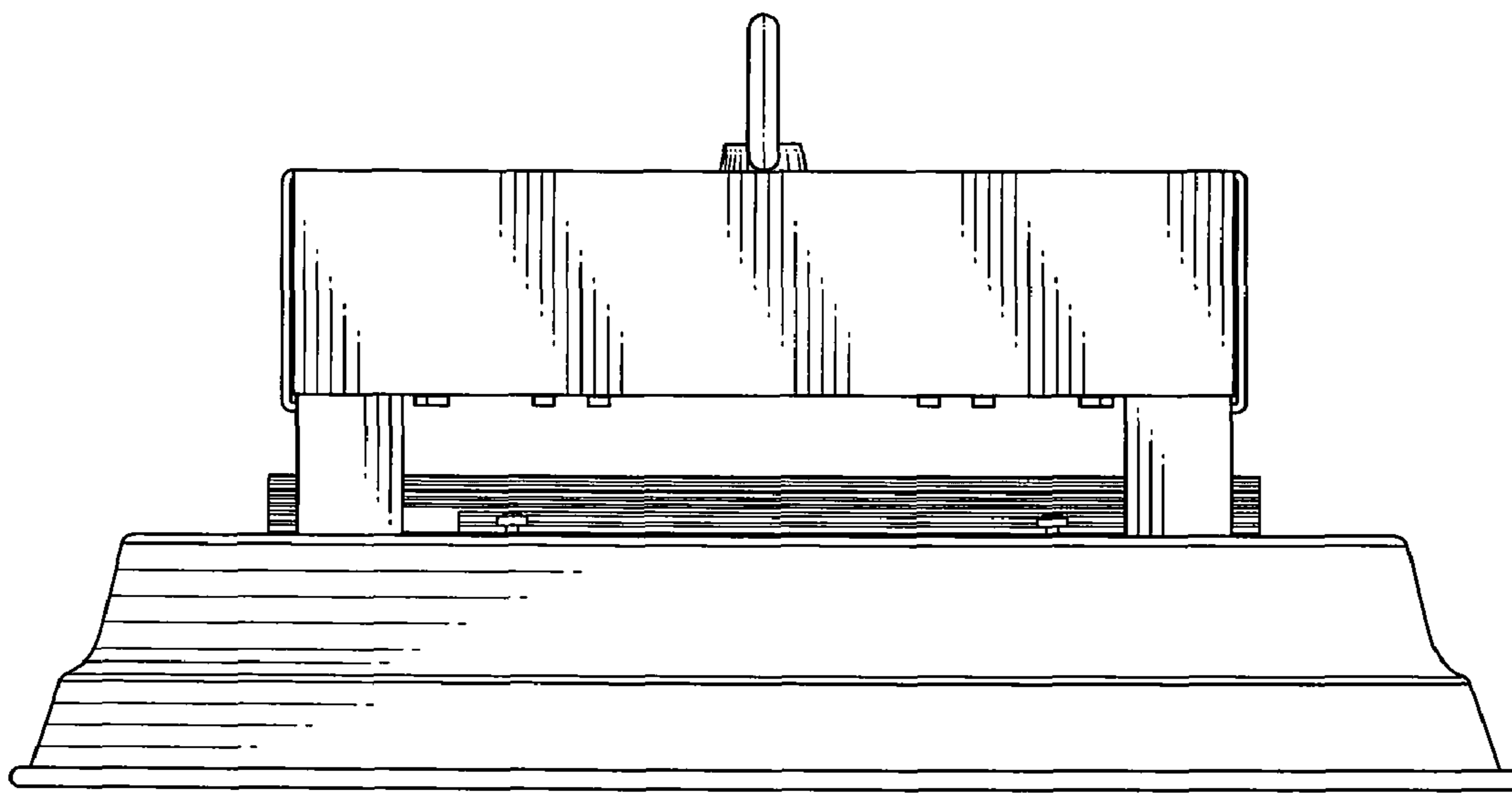


FIG. 4

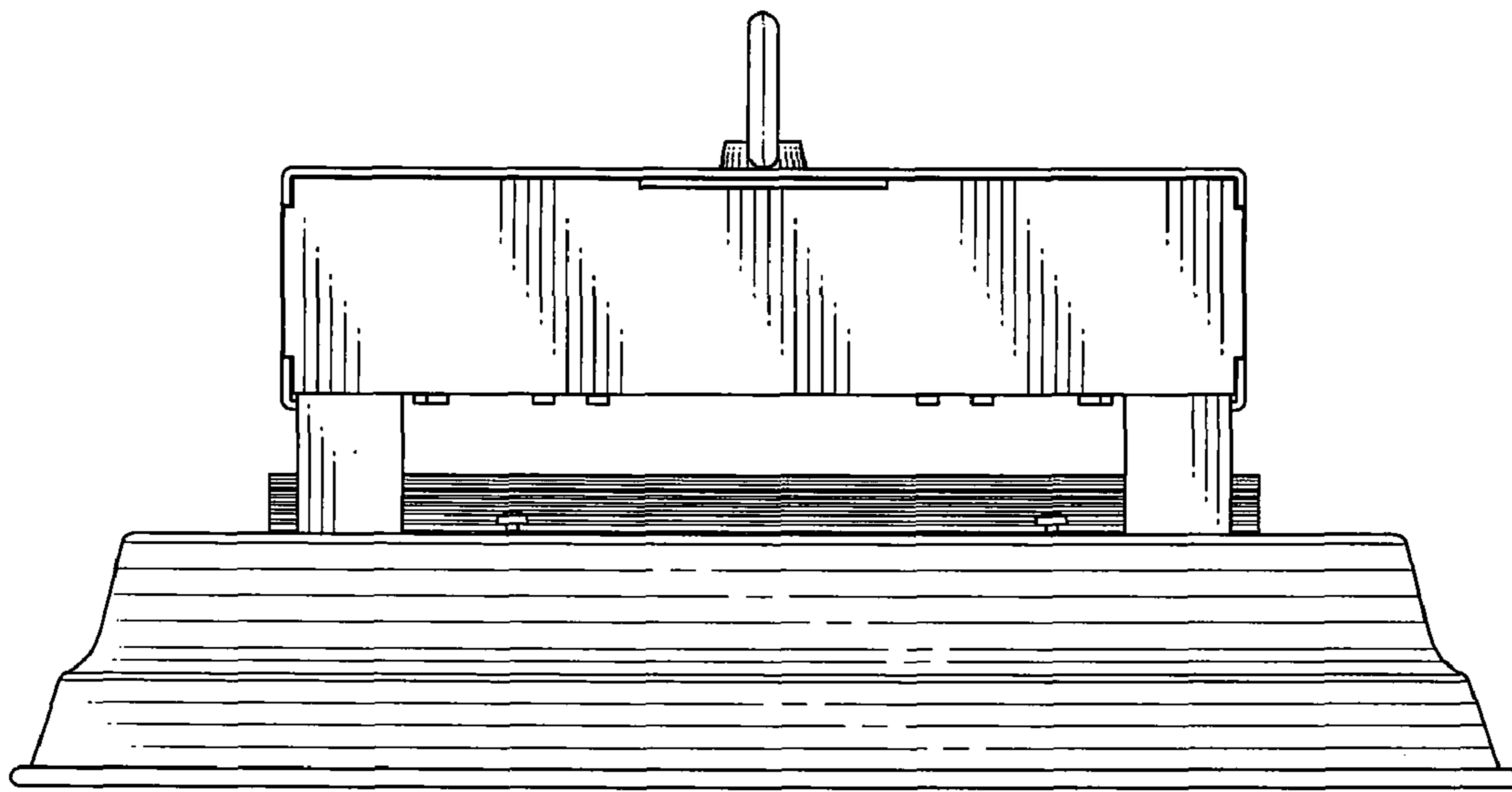


FIG. 5

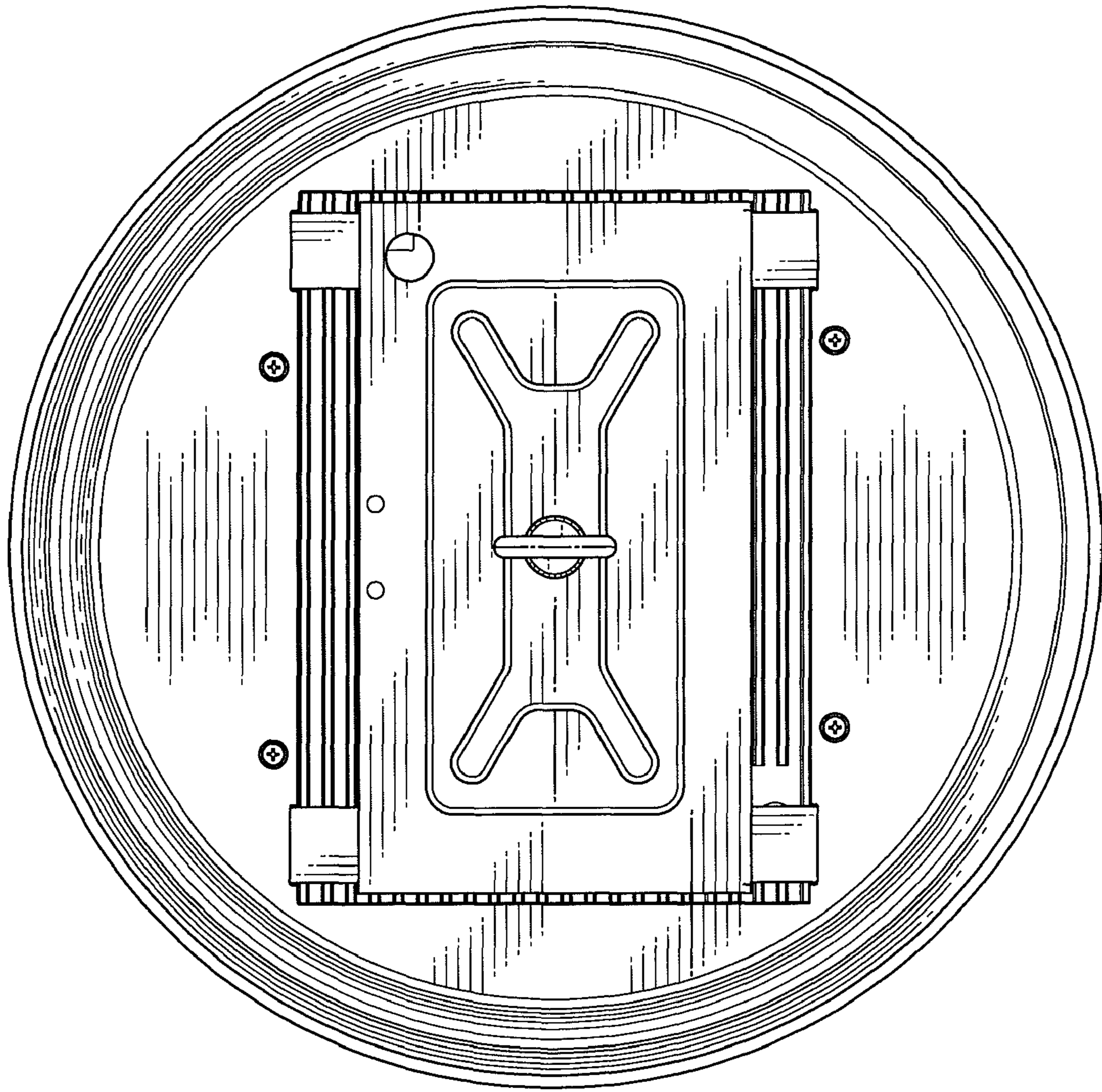


FIG. 6

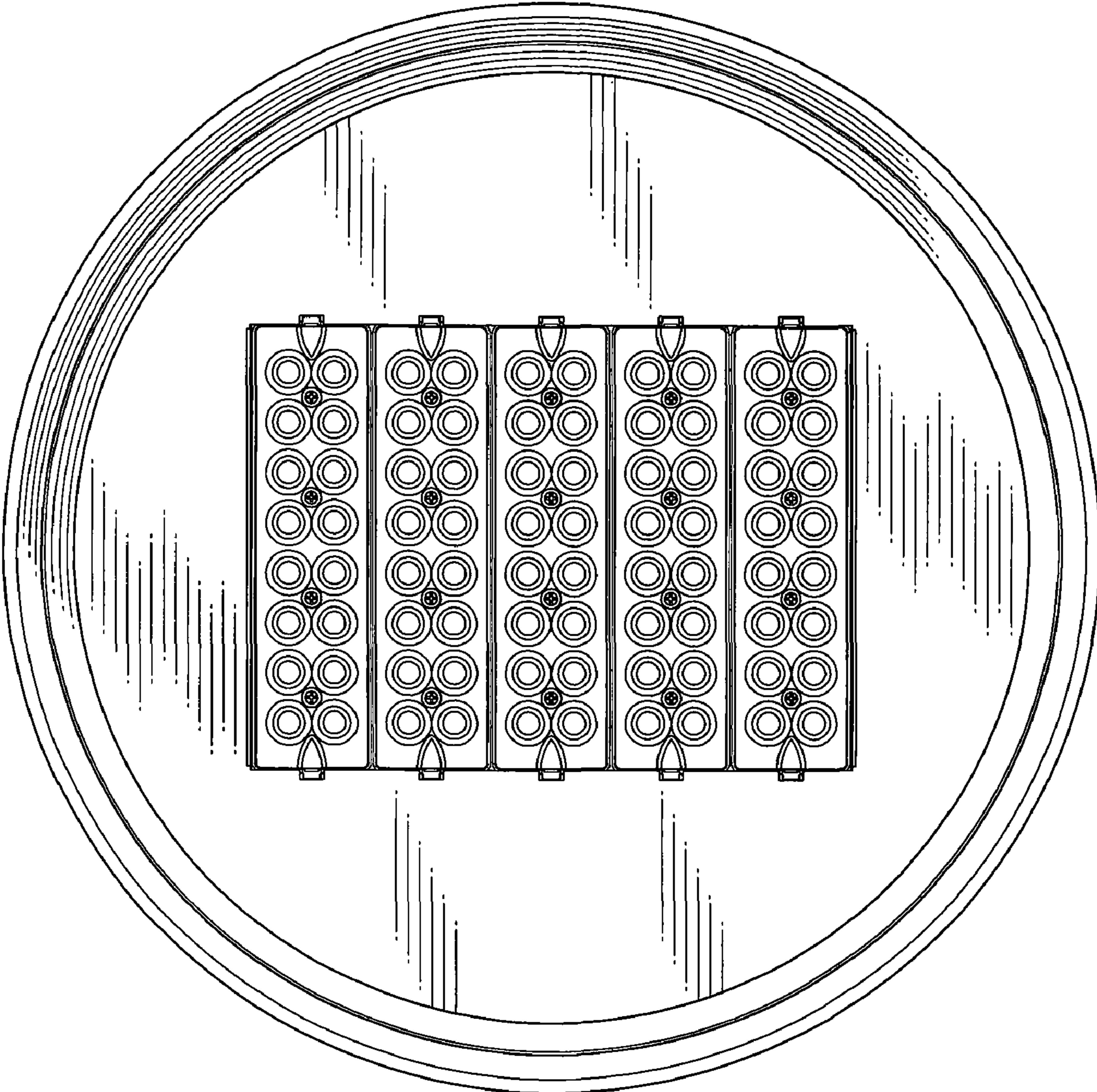


FIG. 7



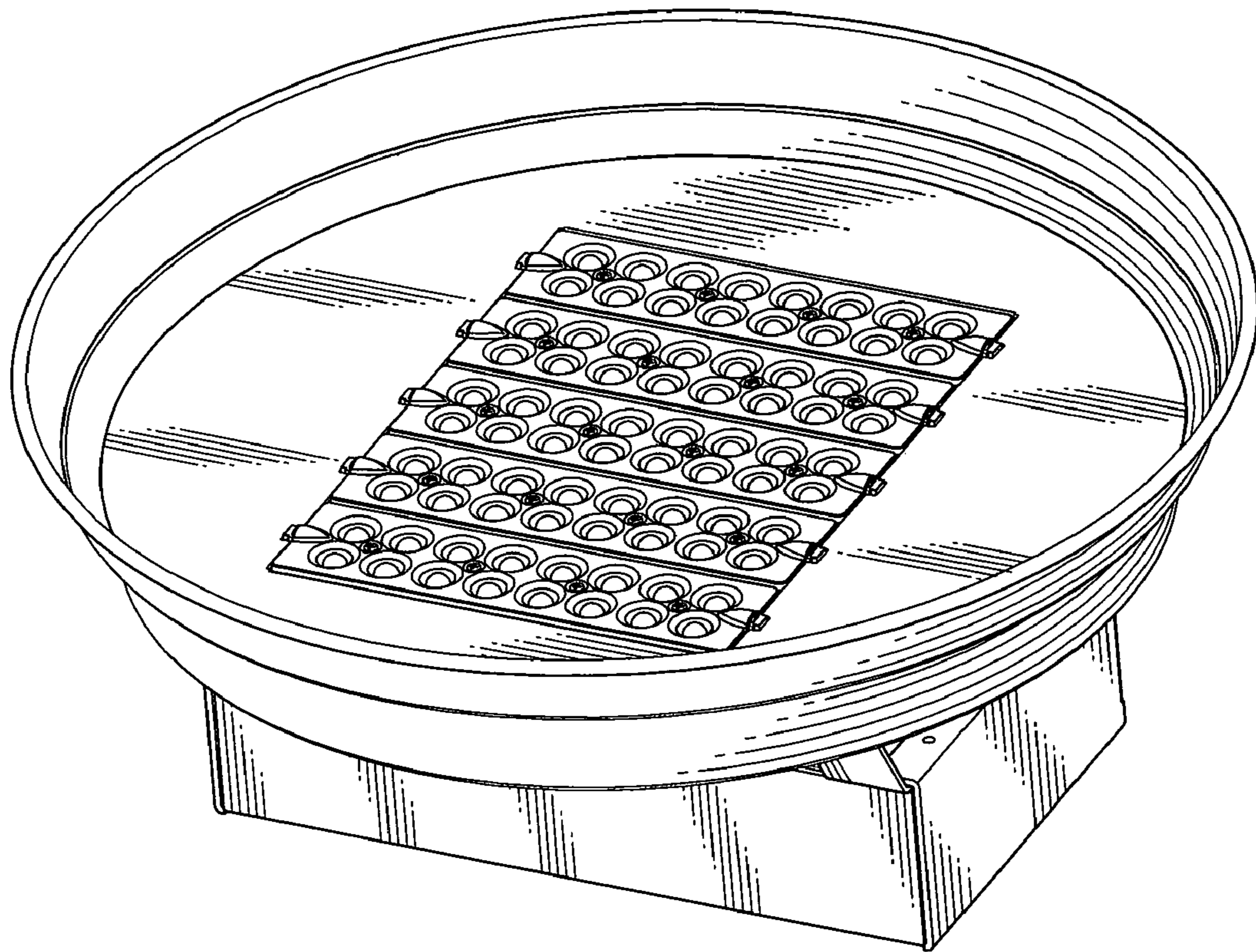


FIG. 8