



US00D635290S

(12) **United States Design Patent**
Hsu et al.

(10) **Patent No.:** **US D635,290 S**

(45) **Date of Patent:** **** Mar. 29, 2011**

(54) **LIGHTING DEVICE**

(75) Inventors: **Feng-Ting Hsu**, Tucheng (TW);
Ming-Cheng Hua, Tucheng (TW)

(73) Assignee: **Everlight Electronics Co., Ltd.**,
Tucheng, Taipei County (TW)

(**) Term: **14 Years**

(21) Appl. No.: **29/345,848**

(22) Filed: **Oct. 22, 2009**

(30) **Foreign Application Priority Data**

Jul. 2, 2009 (TW) 98303024

(51) **LOC (9) Cl.** **26-03**

(52) **U.S. Cl.** **D26/79**

(58) **Field of Classification Search** D26/72,
D26/74, 75, 76, 77, 78, 79, 80, 81, 82, 83,
D26/84, 85, 86, 88, 89, 90, 91, 1, 2, 3, 24,
D26/56; D13/180, 182; 362/555, 576, 147,
362/150, 217.01, 219, 217.02, 217.03, 217.04,
362/217.05, 217.08, 217.09, 260, 364, 365,
362/366, 404, 800

See application file for complete search history.

(56) **References Cited**

U.S. PATENT DOCUMENTS

D381,734 S * 7/1997 Murphy D22/134
D446,877 S * 8/2001 Lester D26/72
D457,664 S * 5/2002 Moriyama et al. D26/3
D543,305 S * 5/2007 Wang D26/60
D556,359 S * 11/2007 Cunius D26/76
D589,199 S * 3/2009 Pedersen D26/85
D595,444 S * 6/2009 Shimomura
D603,079 S * 10/2009 Toot et al. D26/76
7,611,260 B1 * 11/2009 Lin et al. 362/224
D606,673 S * 12/2009 Kao D26/3

D611,643 S * 3/2010 Owen D26/76
D617,015 S * 6/2010 Mollaert et al. D26/3
2009/0290334 A1* 11/2009 Ivey et al. 362/219

FOREIGN PATENT DOCUMENTS

JP D1325720 * 3/2008
JP D1326126 3/2008
JP D1326127 3/2008
JP D1326128 3/2008
JP D1326129 3/2008
JP D1337247 8/2008
JP D1349638 1/2009
TW D123463 2/1996

* cited by examiner

Primary Examiner — Angela J Lee

(74) *Attorney, Agent, or Firm* — Patterson Thuent
Christensen Pedersen, P.A.

(57) **CLAIM**

We claim the ornamental design for a lighting device, as shown and described.

DESCRIPTION

FIG. 1 is a perspective view of a lighting device of the design.
FIG. 2 is a front elevational view of a lighting device of the design.

FIG. 3 is a rear elevational view of a lighting device of the design.

FIG. 4 is a left side elevational view of a lighting device of the design.

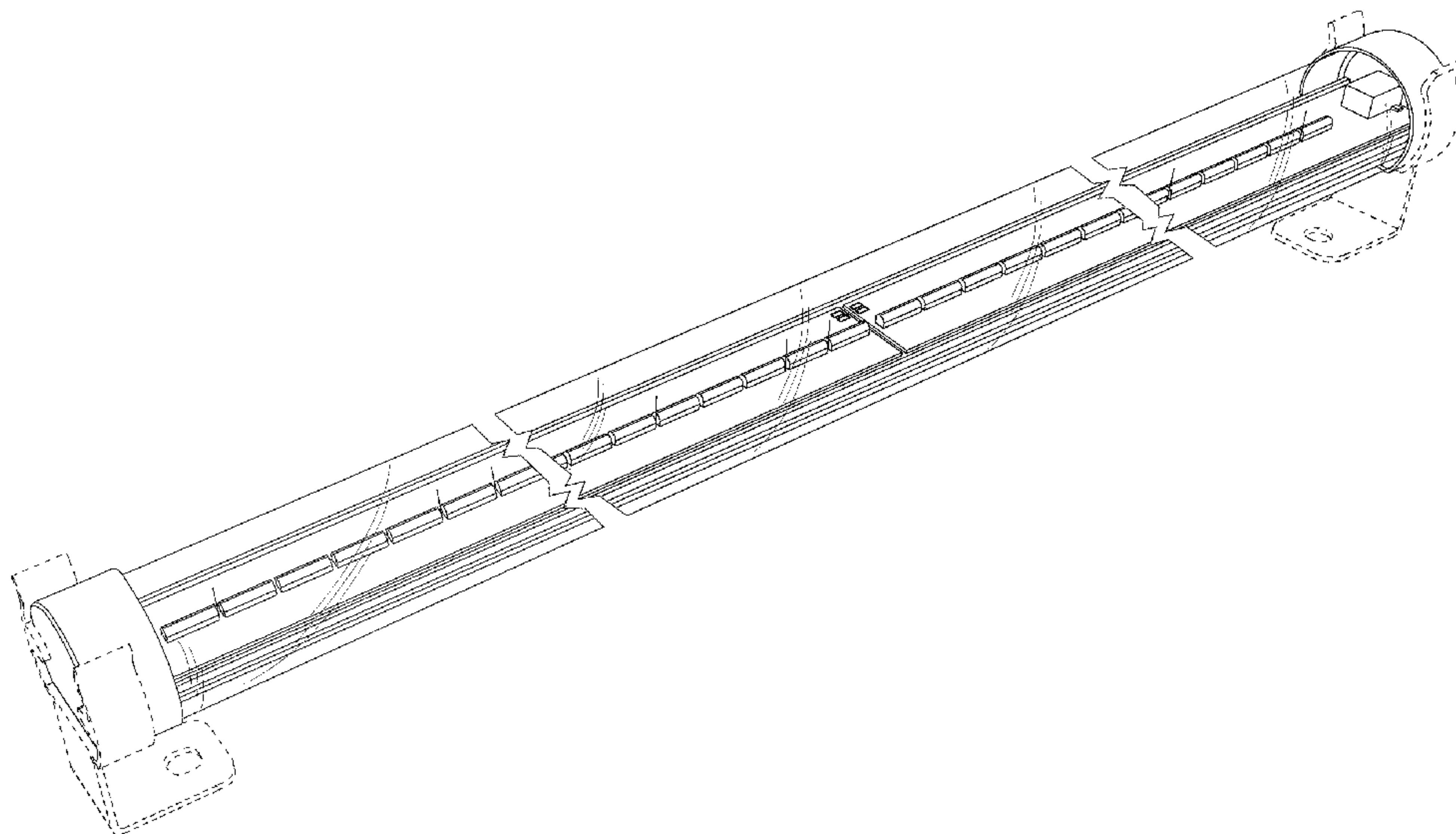
FIG. 5 is a right side elevational view of a lighting device of the design.

FIG. 6 is a top plan view of a lighting device of the design; and,

FIG. 7 is a bottom plan view of a lighting device of the design.

The lighting device is shown broken away to indicate that no particular length is claimed, whereas the broken lines of all of the figures are directed to environment and are for illustrative purposes only and forming no part of the claimed design.

1 Claim, 6 Drawing Sheets



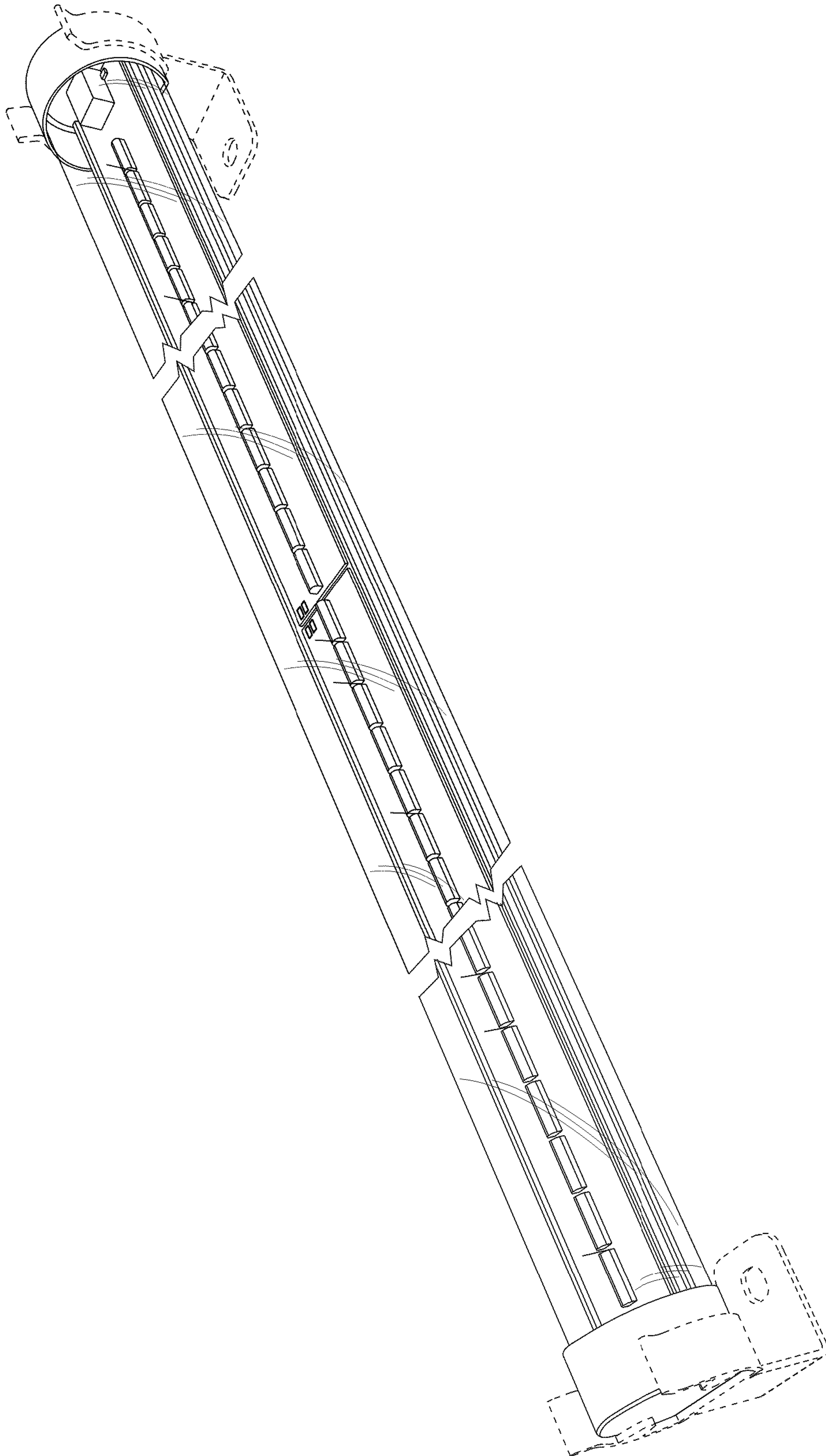


FIG. 1

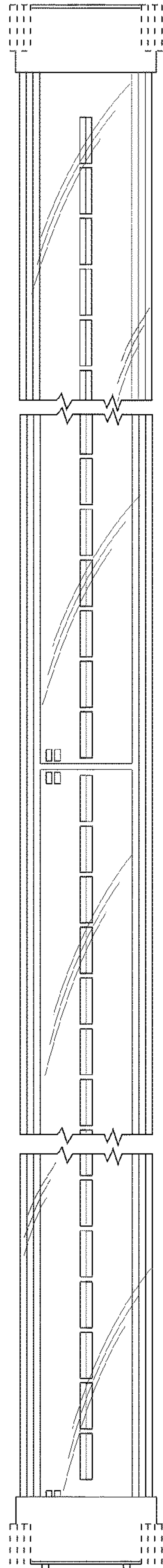


FIG. 2

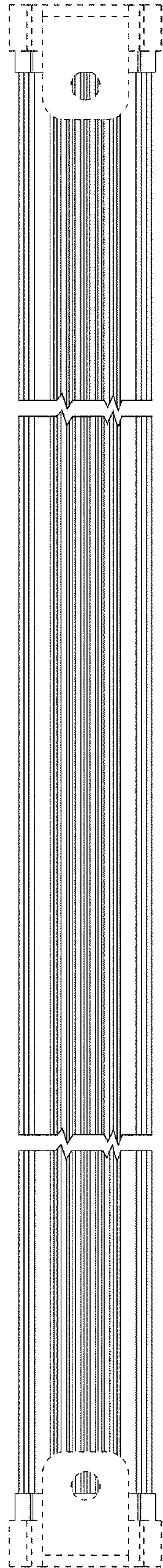


FIG. 3

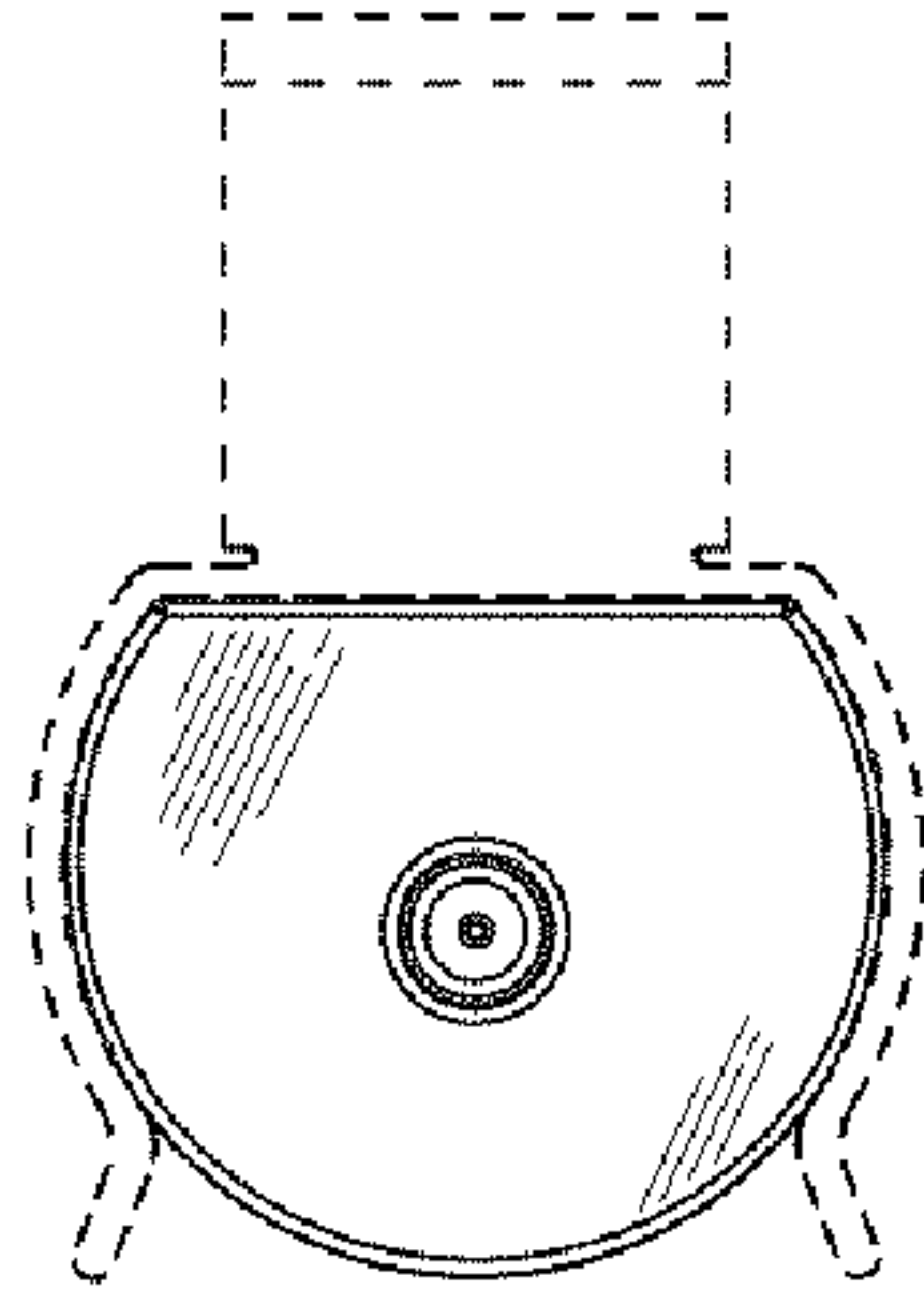


FIG. 5

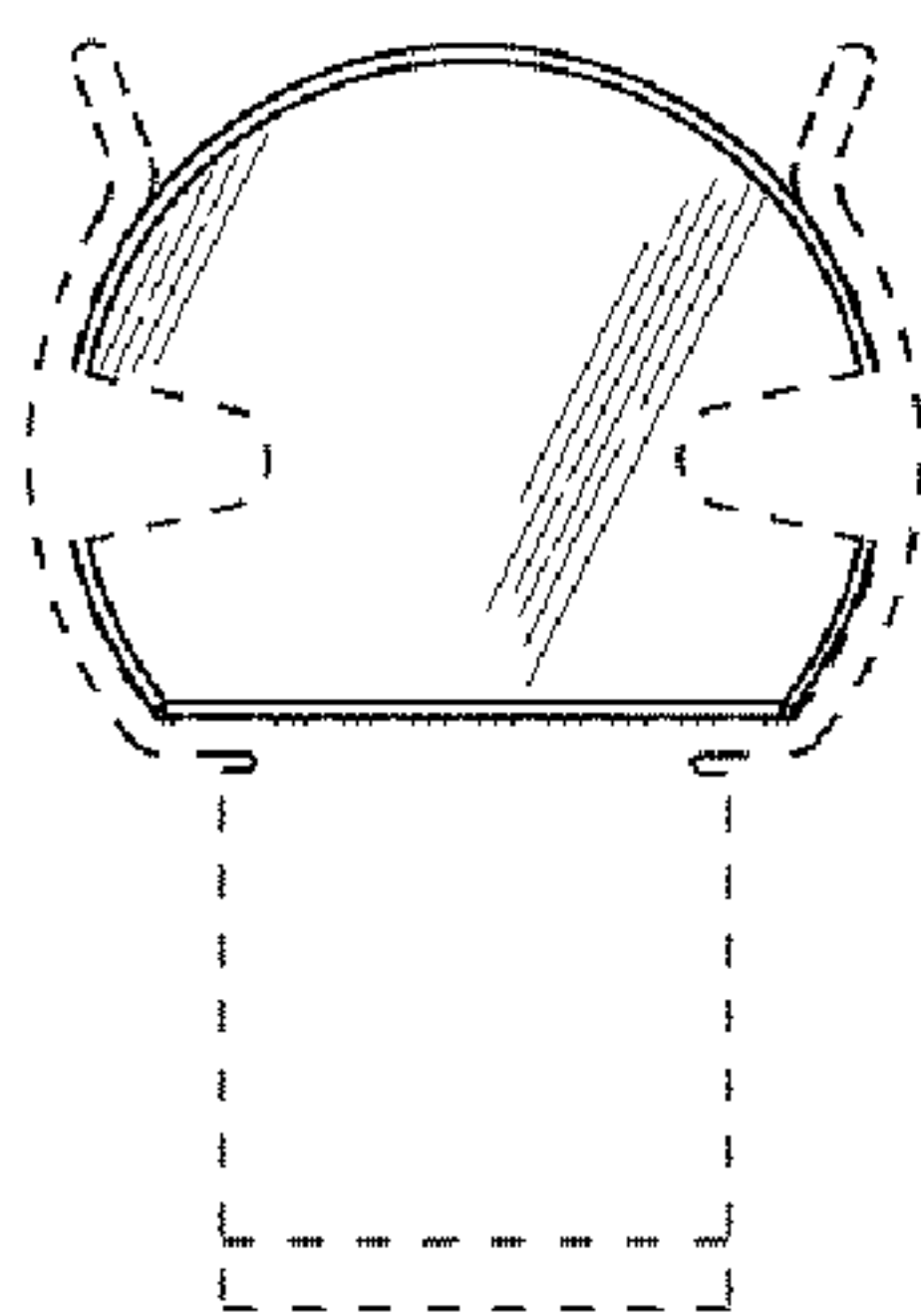


FIG. 4

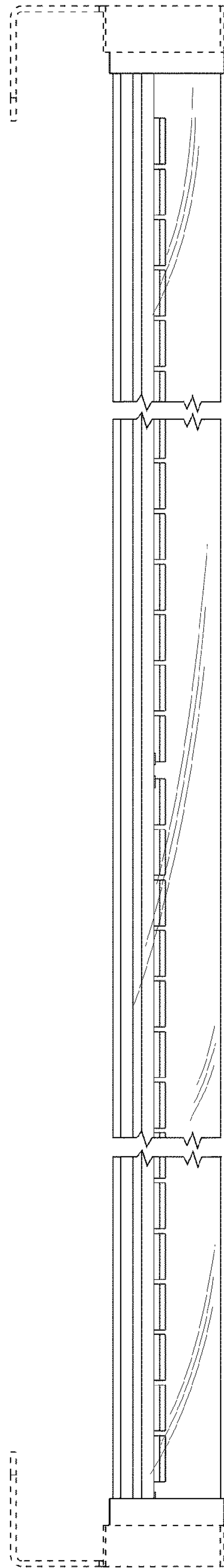


FIG. 6

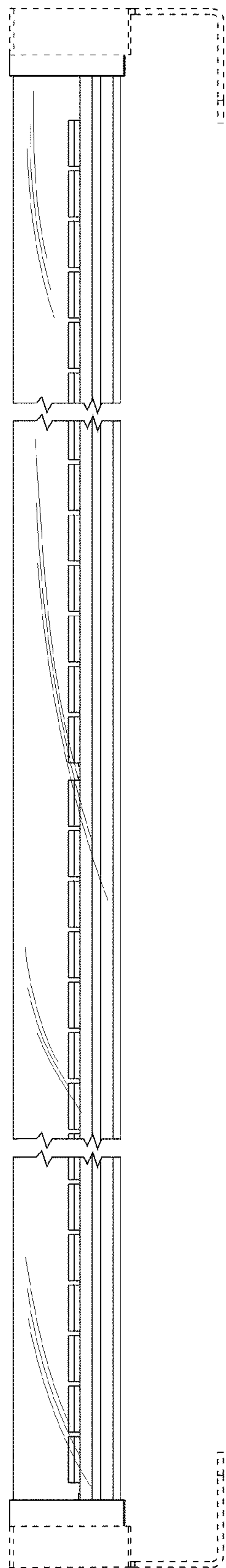


FIG. 7