



US00D635289S

(12) **United States Design Patent**  
**Kong et al.**

(10) **Patent No.:** **US D635,289 S**  
(45) **Date of Patent:** **\*\* Mar. 29, 2011**

(54) **STREETLAMP HEAD**

(75) Inventors: **Kyung Il Kong**, Seoul (KR); **Han Gyoul Kim**, Seoul (KR); **Hwa Young Kim**, Yongin (KR); **Ji Yeon Hyun**, Seoul (KR)

(73) Assignee: **LG Innotek Co., Ltd.**, Seoul (KR)

(\*\*) Term: **14 Years**

(21) Appl. No.: **29/376,914**

(22) Filed: **Oct. 14, 2010**

**Related U.S. Application Data**

(62) Division of application No. 29/362,799, filed on Jun. 1, 2010.

(30) **Foreign Application Priority Data**

Dec. 1, 2009 (KR) ..... 30-2009-0052905  
Dec. 8, 2009 (KR) ..... 30-2009-0053988  
Dec. 8, 2009 (KR) ..... 30-2009-0053989  
Dec. 8, 2009 (KR) ..... 30-2009-0053990

(51) **LOC (9) Cl.** ..... **26-05**

(52) **U.S. Cl.** ..... **D26/71**

(58) **Field of Classification Search** ..... D26/67-71,  
D26/85, 92; 362/145, 183, 231, 240, 249.02,  
362/249.03, 249.04, 249.06, 249.16, 431  
See application file for complete search history.

(56) **References Cited**

**U.S. PATENT DOCUMENTS**

D171,952 S \* 4/1954 Pettengill ..... D26/71  
2,916,609 A \* 12/1959 Freier et al. .... D26/71  
D195,310 S \* 5/1963 Zagel ..... D26/70  
7,420,811 B2 \* 9/2008 Chan ..... 362/373  
7,537,366 B2 \* 5/2009 Inoue et al. .... 362/373  
D615,690 S \* 5/2010 Zheng et al. .... D26/71  
D622,889 S \* 8/2010 Zheng ..... D26/71  
2009/0034257 A1 \* 2/2009 Liu et al. .... 362/252

2009/0185374 A1 \* 7/2009 Wu et al. .... 362/249.06  
2009/0251898 A1 \* 10/2009 Kinnune et al. .... 362/249.02  
2010/0208460 A1 \* 8/2010 Ladewig et al. .... 362/249.02

\* cited by examiner

*Primary Examiner* — Clare E Heflin

(74) *Attorney, Agent, or Firm* — Park, Kim & Suh, LLC

(57) **CLAIM**

The ornamental design for a streetlamp head, as shown and described.

**DESCRIPTION**

FIG. 1 is a perspective view of a first embodiment of a streetlamp head showing our new design;  
FIG. 2 is a front view thereof;  
FIG. 3 is a rear view thereof;  
FIG. 4 is a left side view thereof;  
FIG. 5 is a right side view thereof;  
FIG. 6 is a top plan view thereof;  
FIG. 7 is a bottom plan view thereof;  
FIG. 8 is a perspective view of a second embodiment of a streetlamp head showing our new design;  
FIG. 9 is a front view thereof;  
FIG. 10 is a rear view thereof;  
FIG. 11 is a left side view thereof;  
FIG. 12 is a right side view thereof;  
FIG. 13 is a top plan view thereof;  
FIG. 14 is a bottom plan view thereof;  
FIG. 15 is a perspective view of a third embodiment of a streetlamp head showing our new design;  
FIG. 16 is a front view thereof;  
FIG. 17 is a rear view thereof;  
FIG. 18 is a left side view thereof;  
FIG. 19 is a right side view thereof;  
FIG. 20 is a top plan view thereof; and,  
FIG. 21 is a bottom plan view thereof.

**1 Claim, 21 Drawing Sheets**

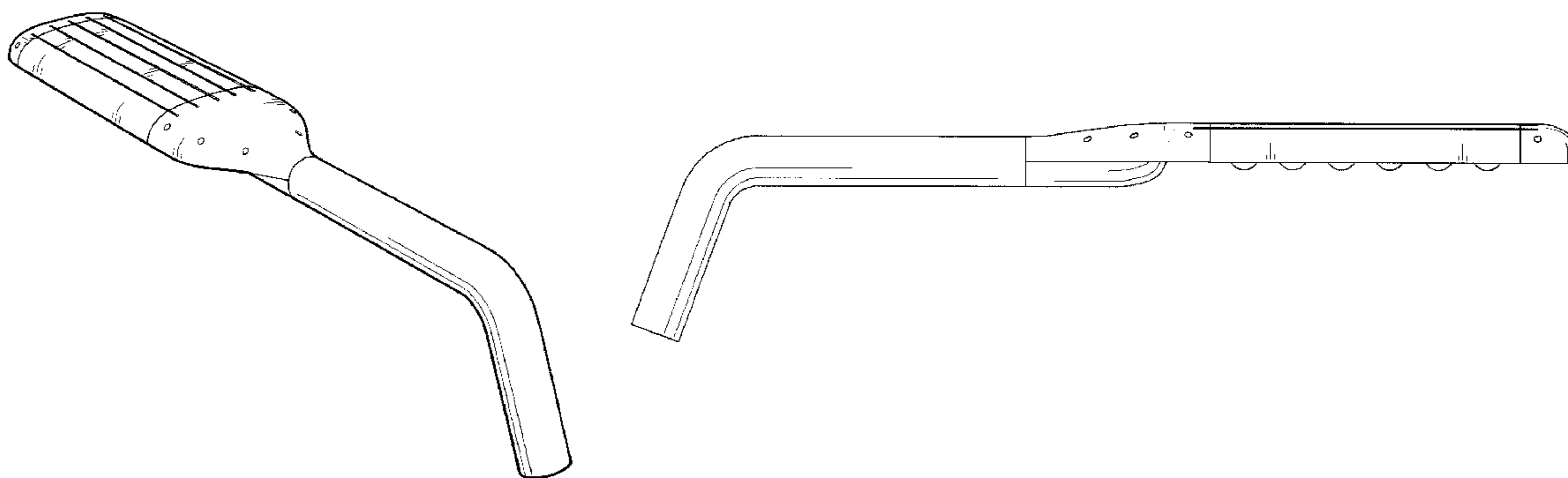


FIG. 1

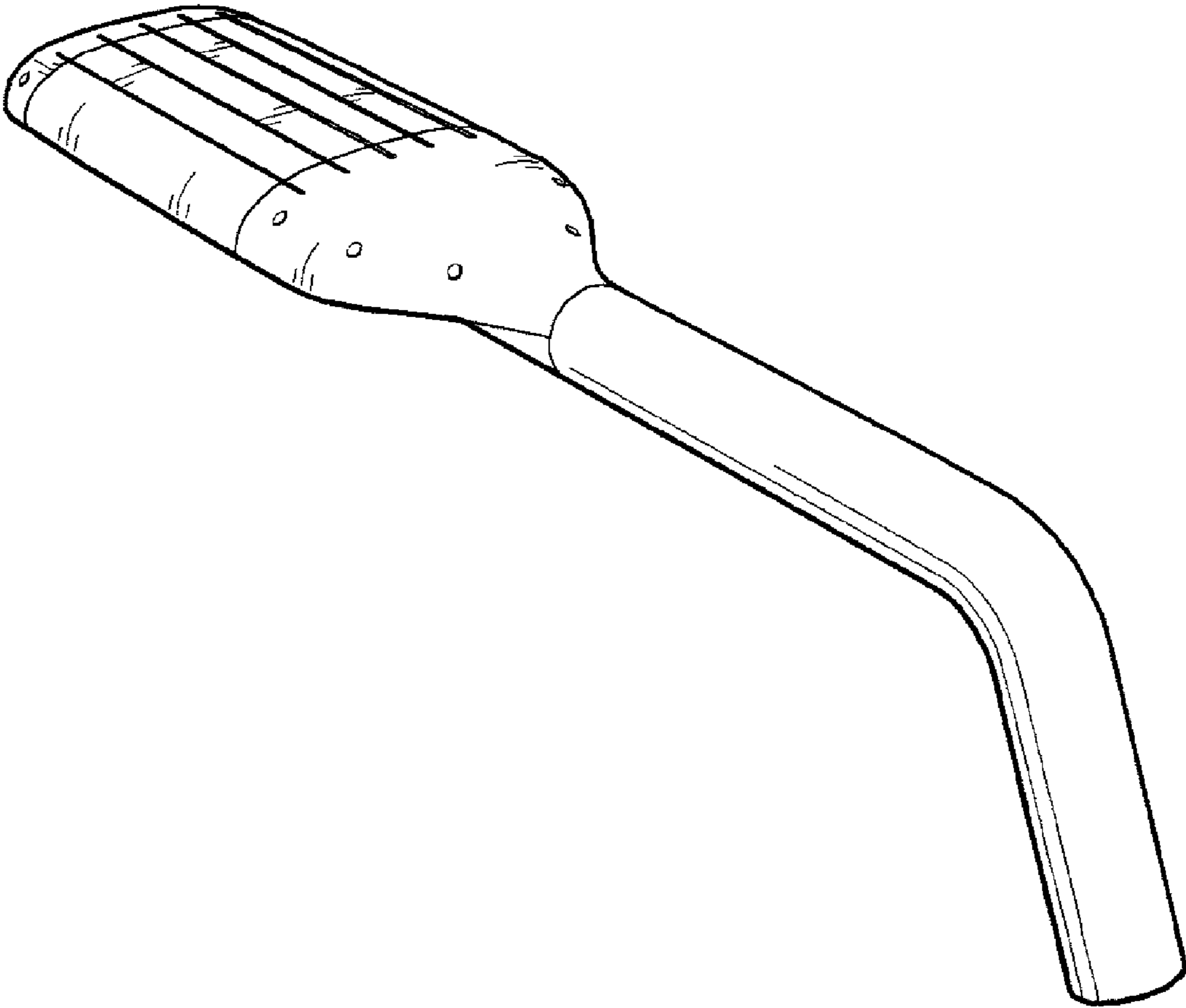
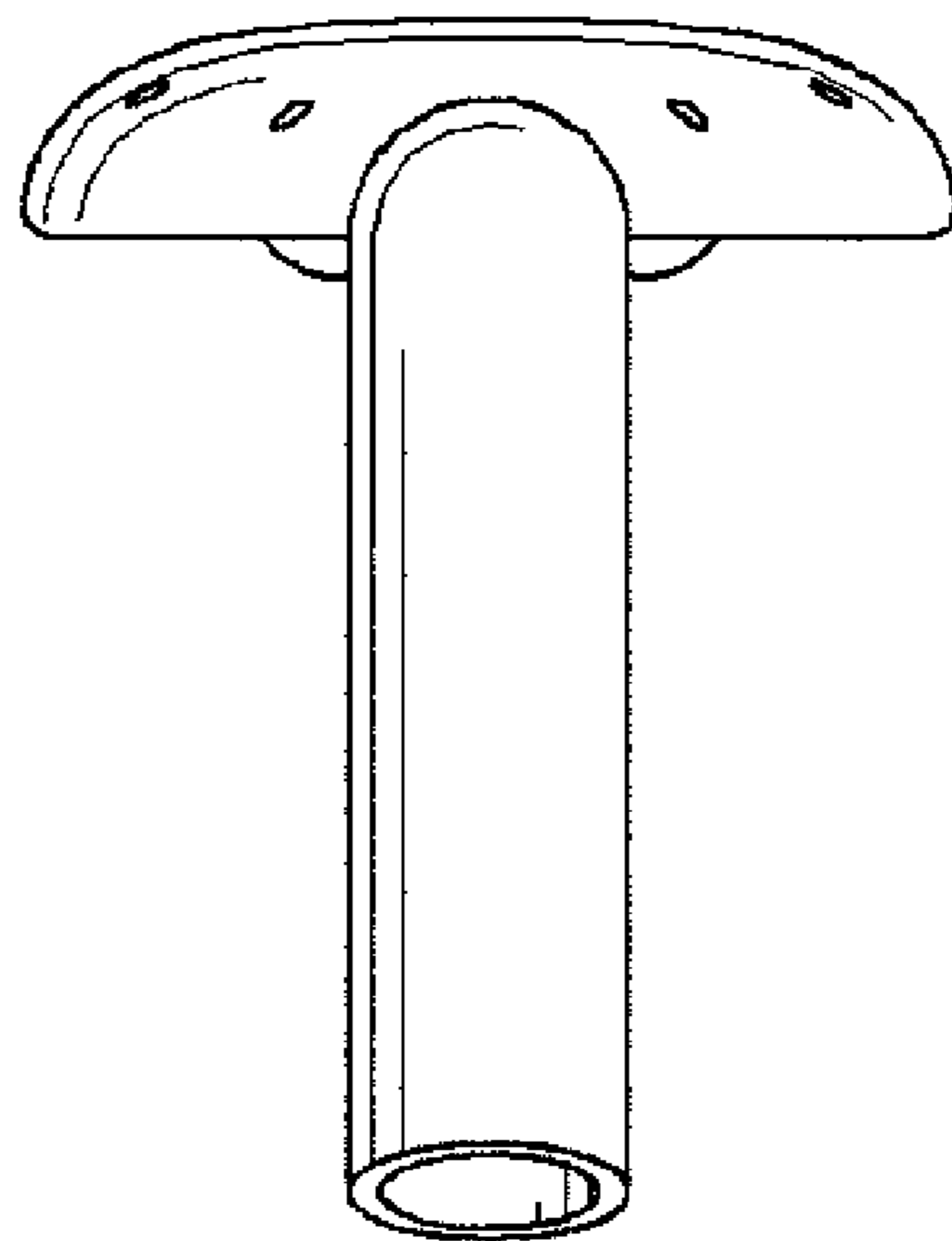


FIG. 2



# FIG. 3

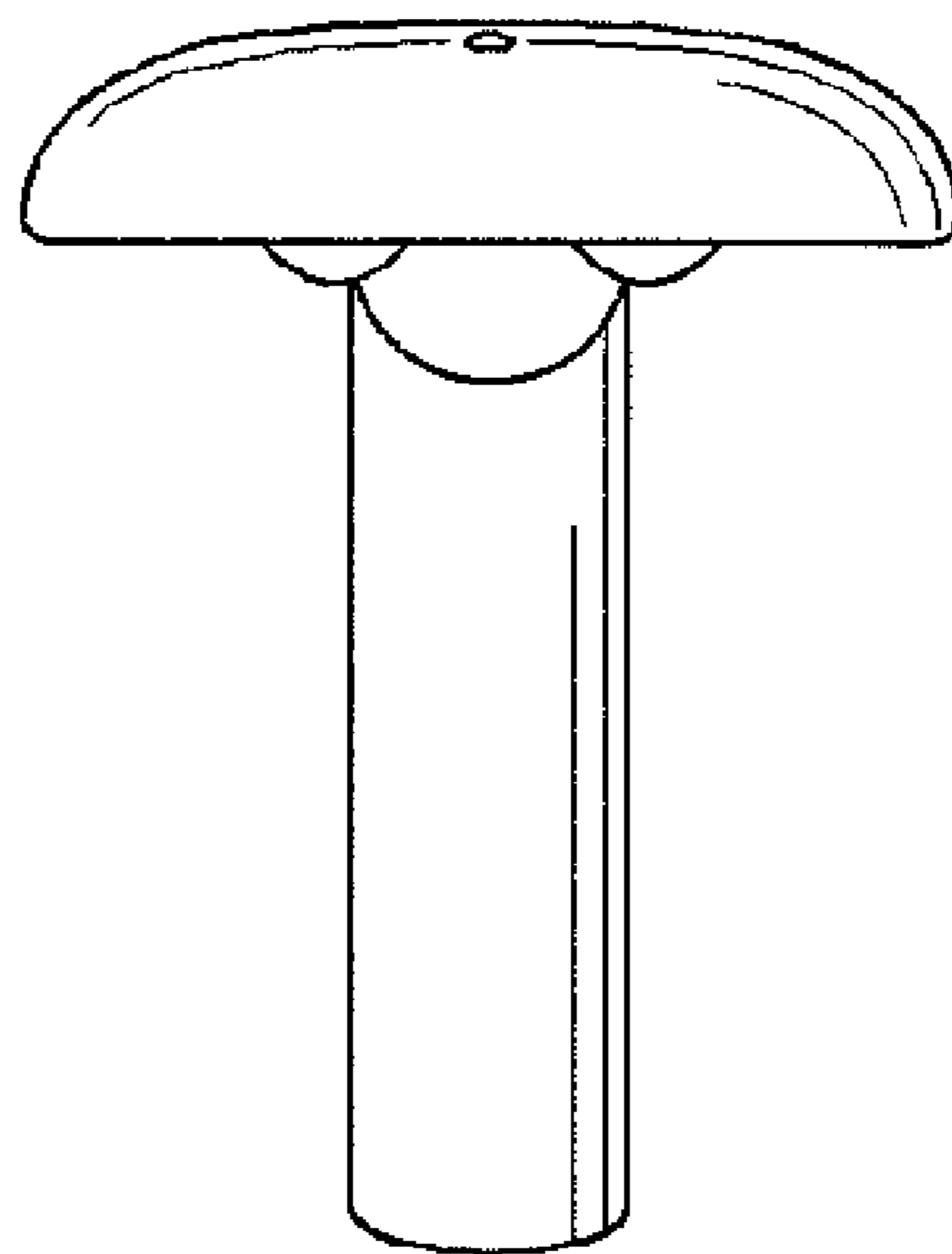


FIG. 4

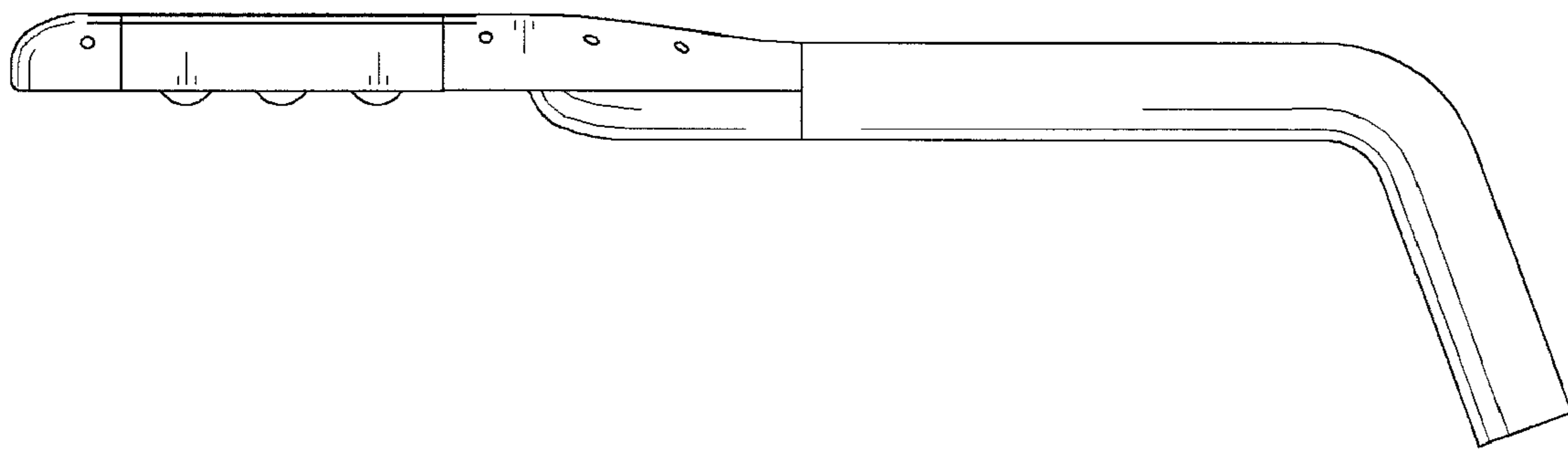


FIG. 5

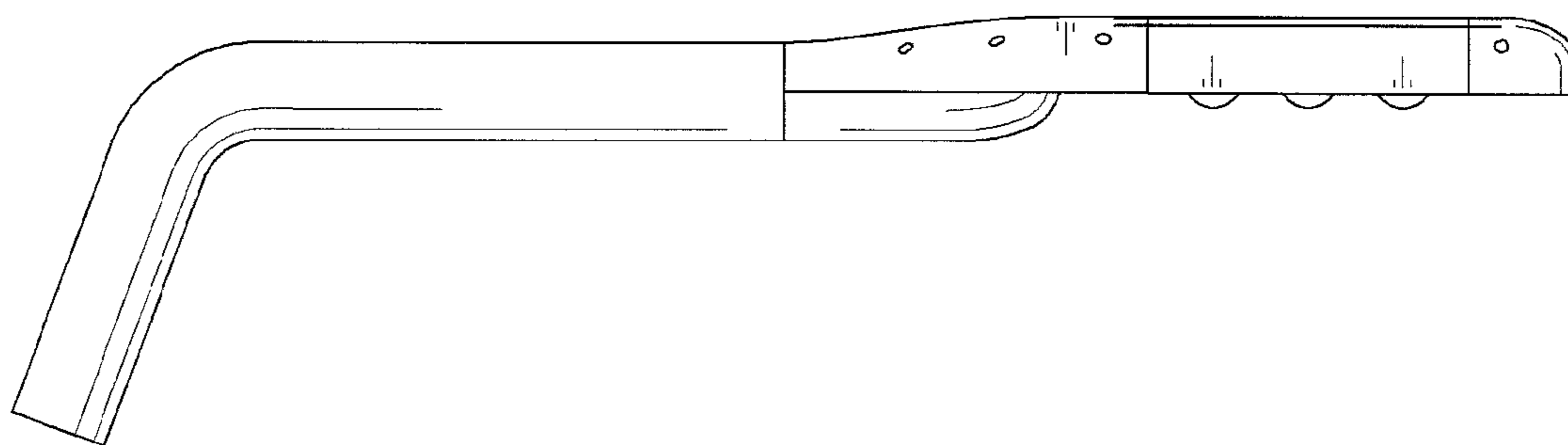


FIG. 6

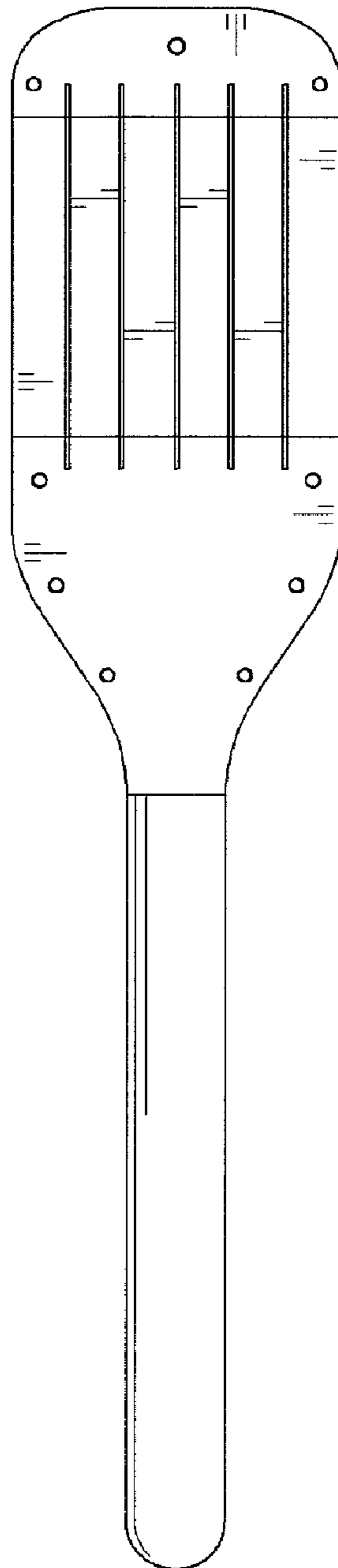


FIG. 7

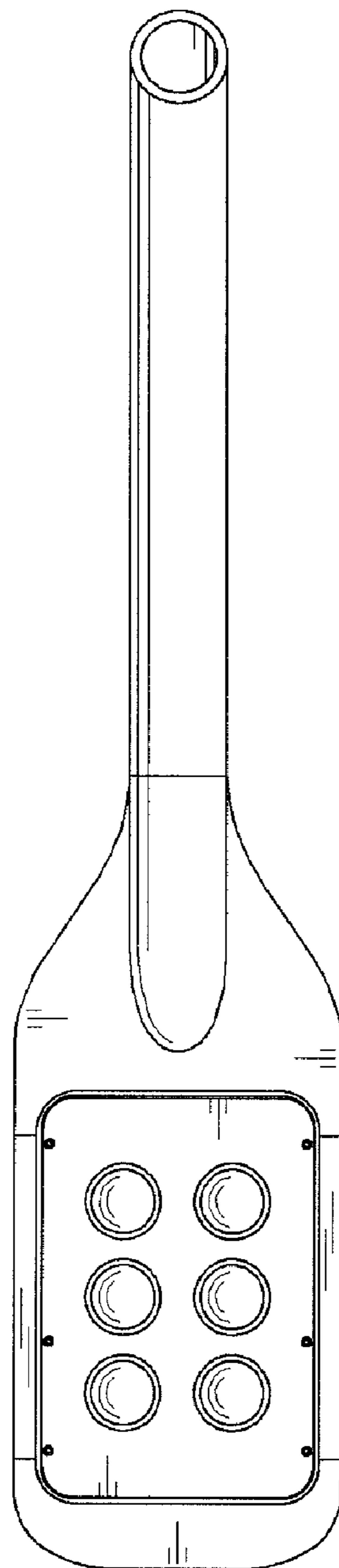
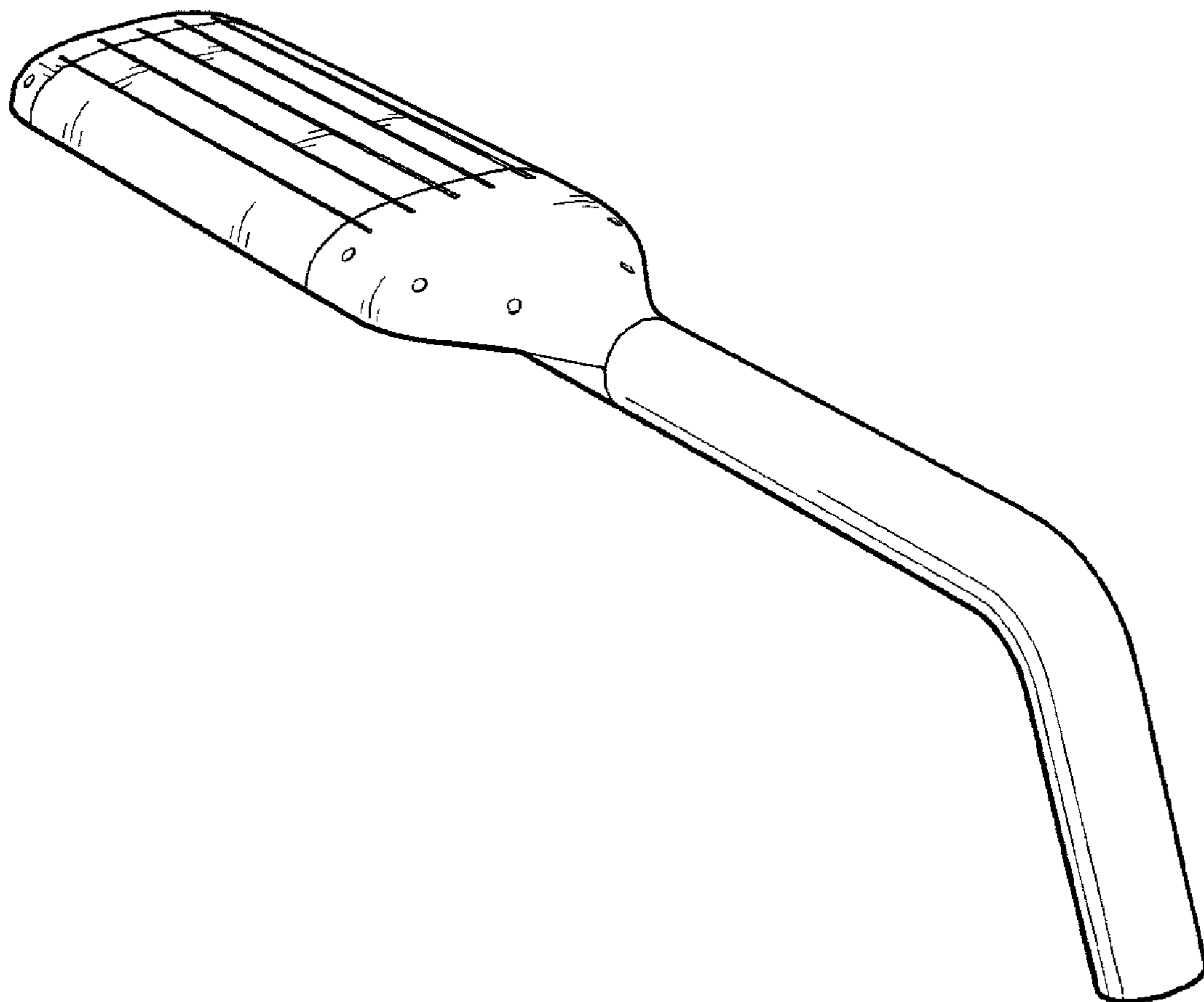




FIG. 8



# FIG. 9

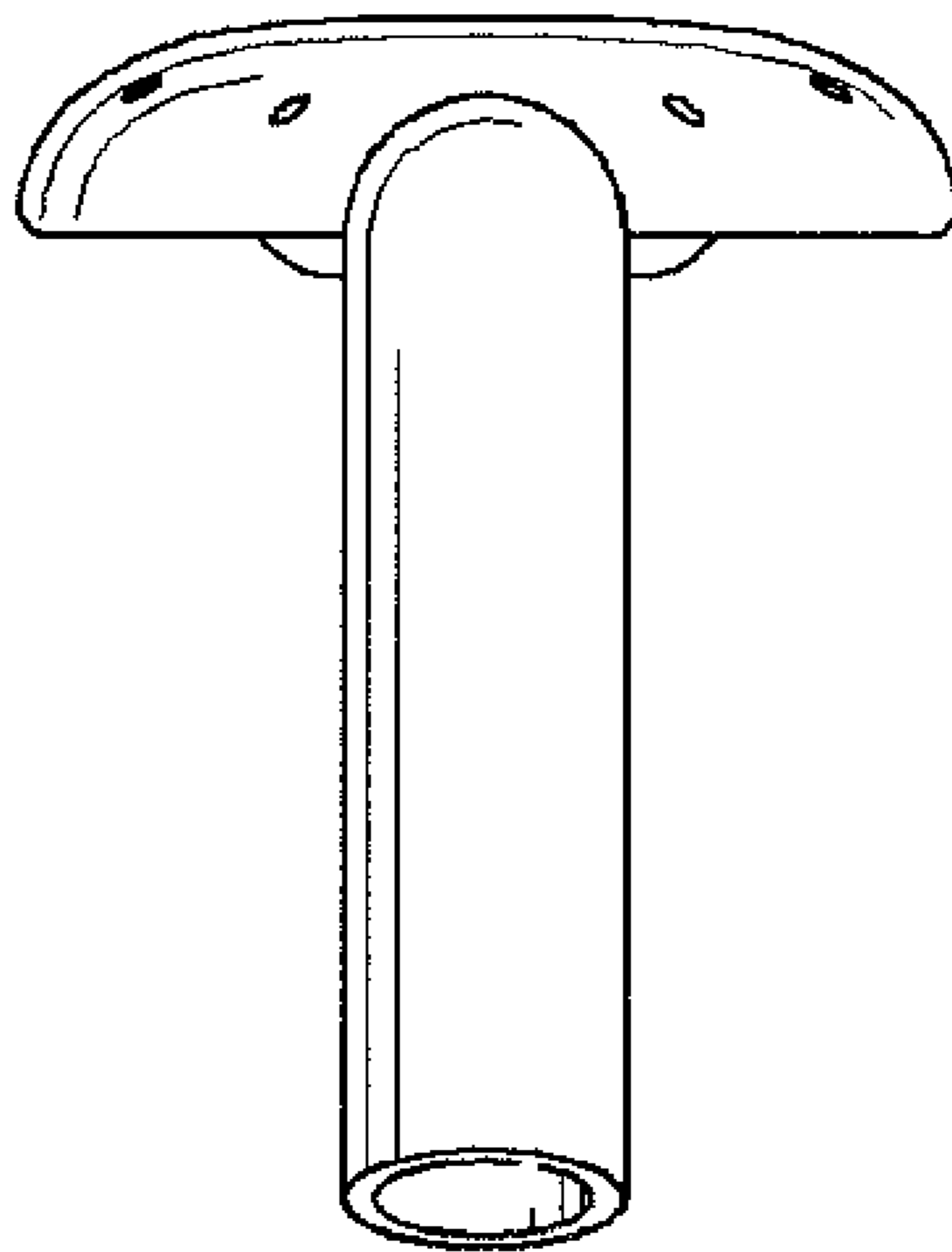


FIG. 10

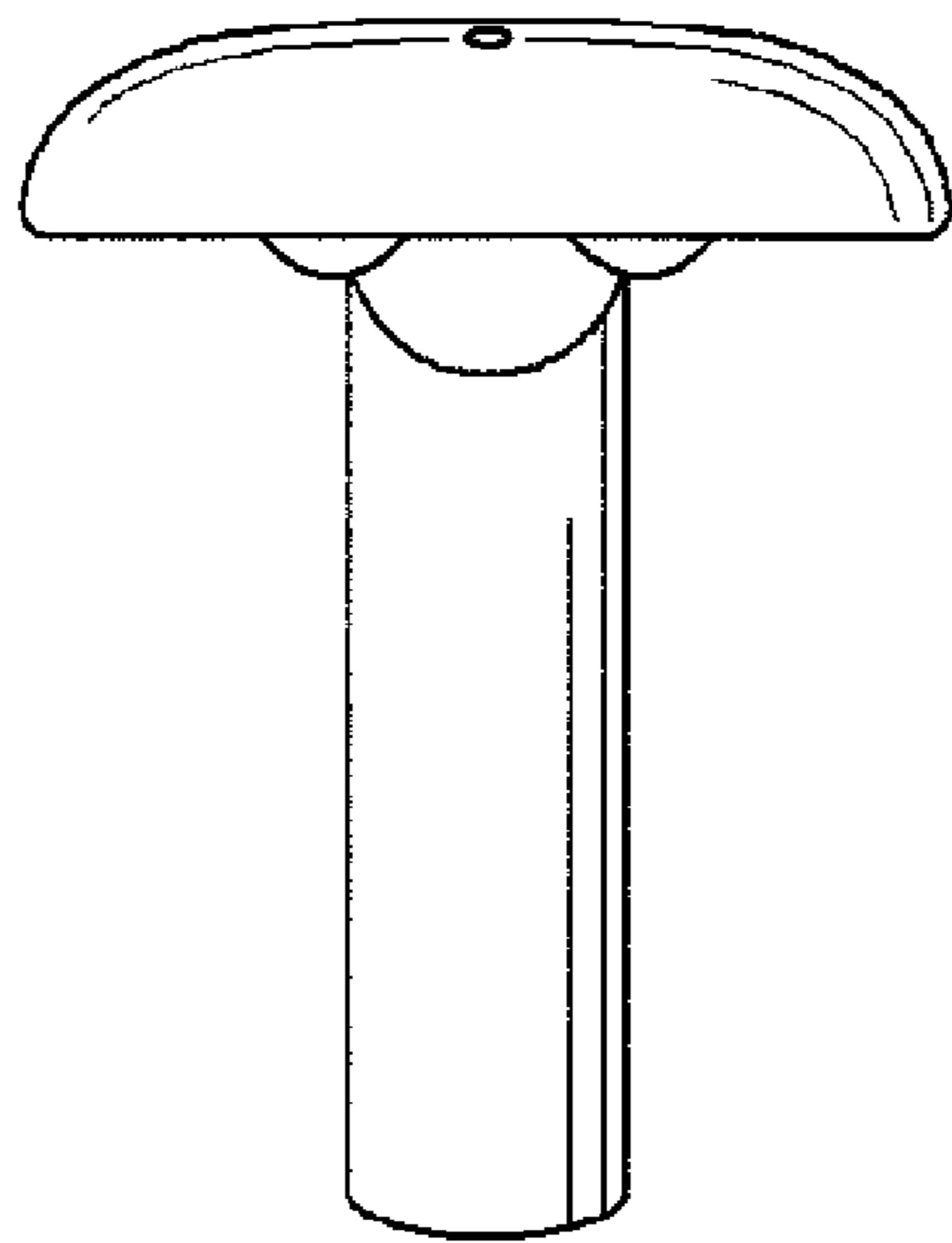


FIG. 11

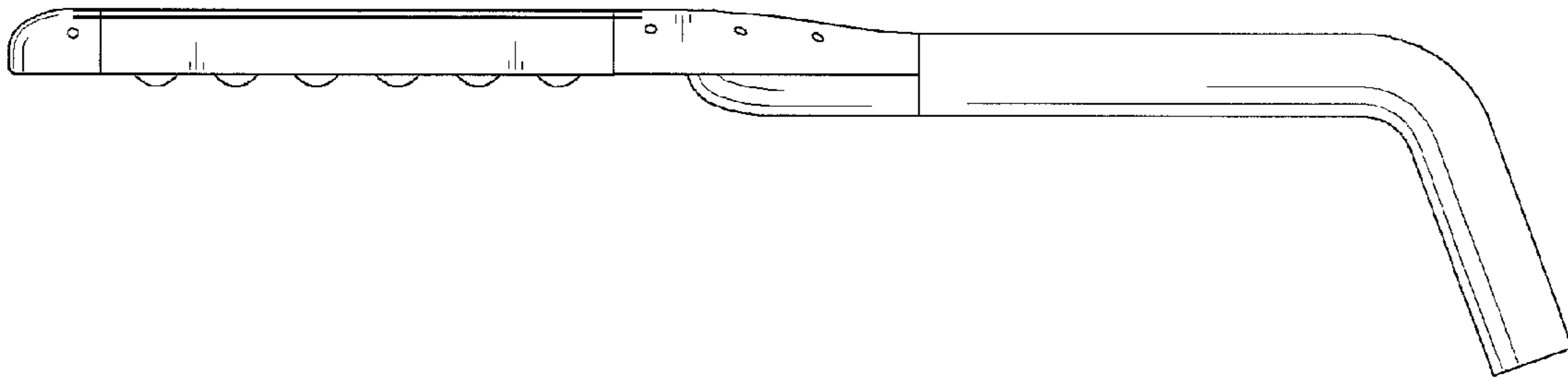


FIG. 12

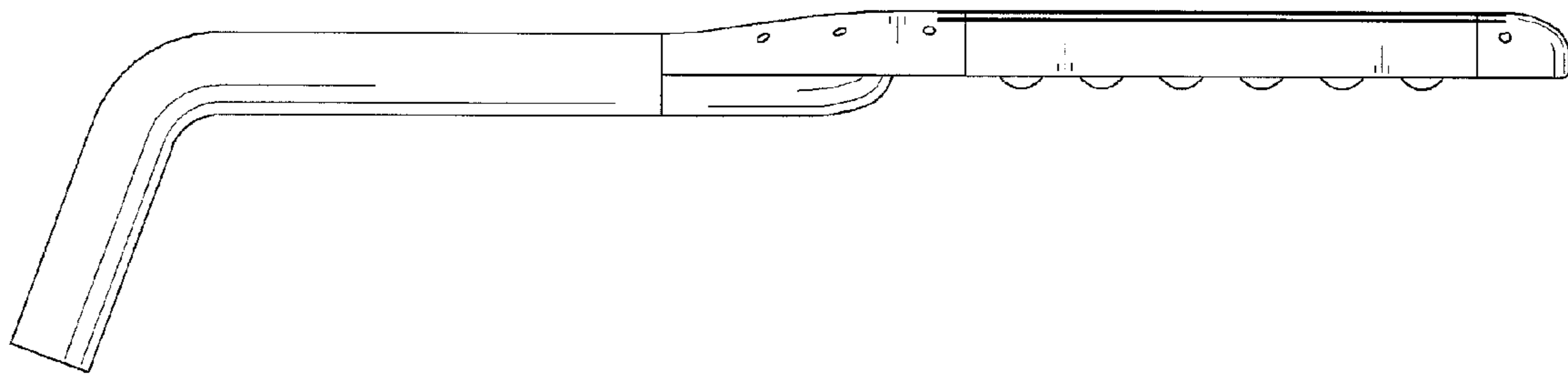


FIG. 13

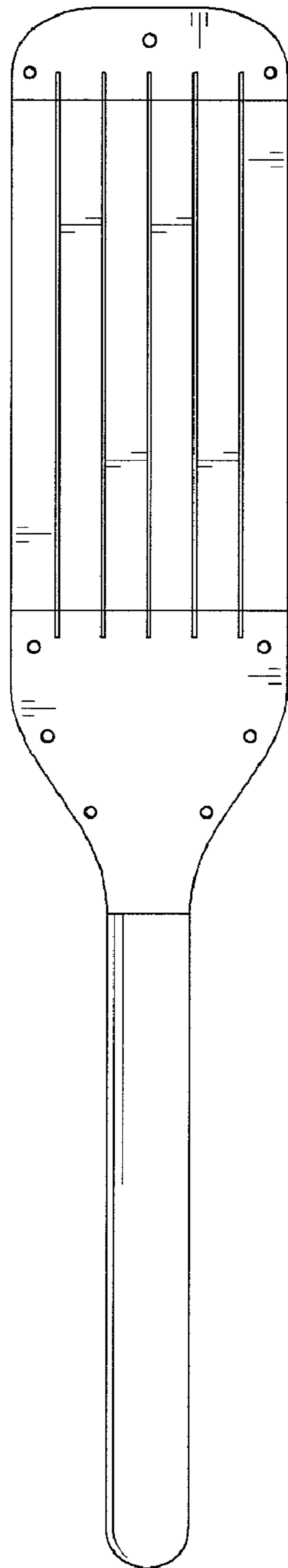


FIG. 14

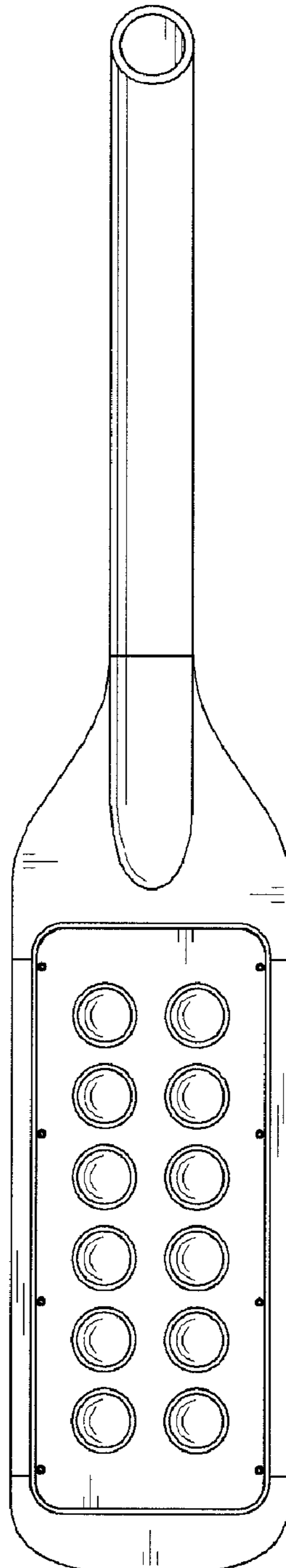


FIG. 15

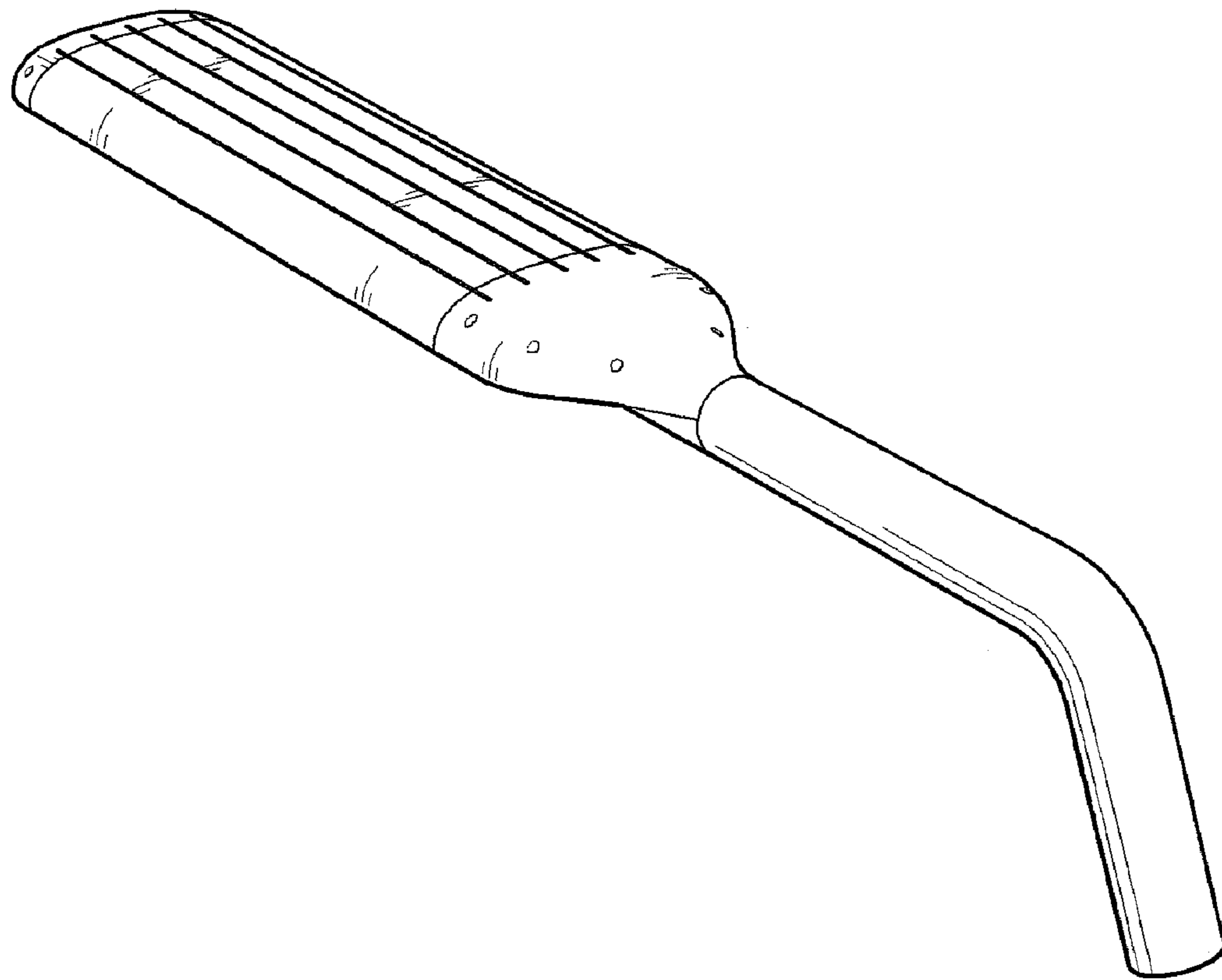




FIG. 16

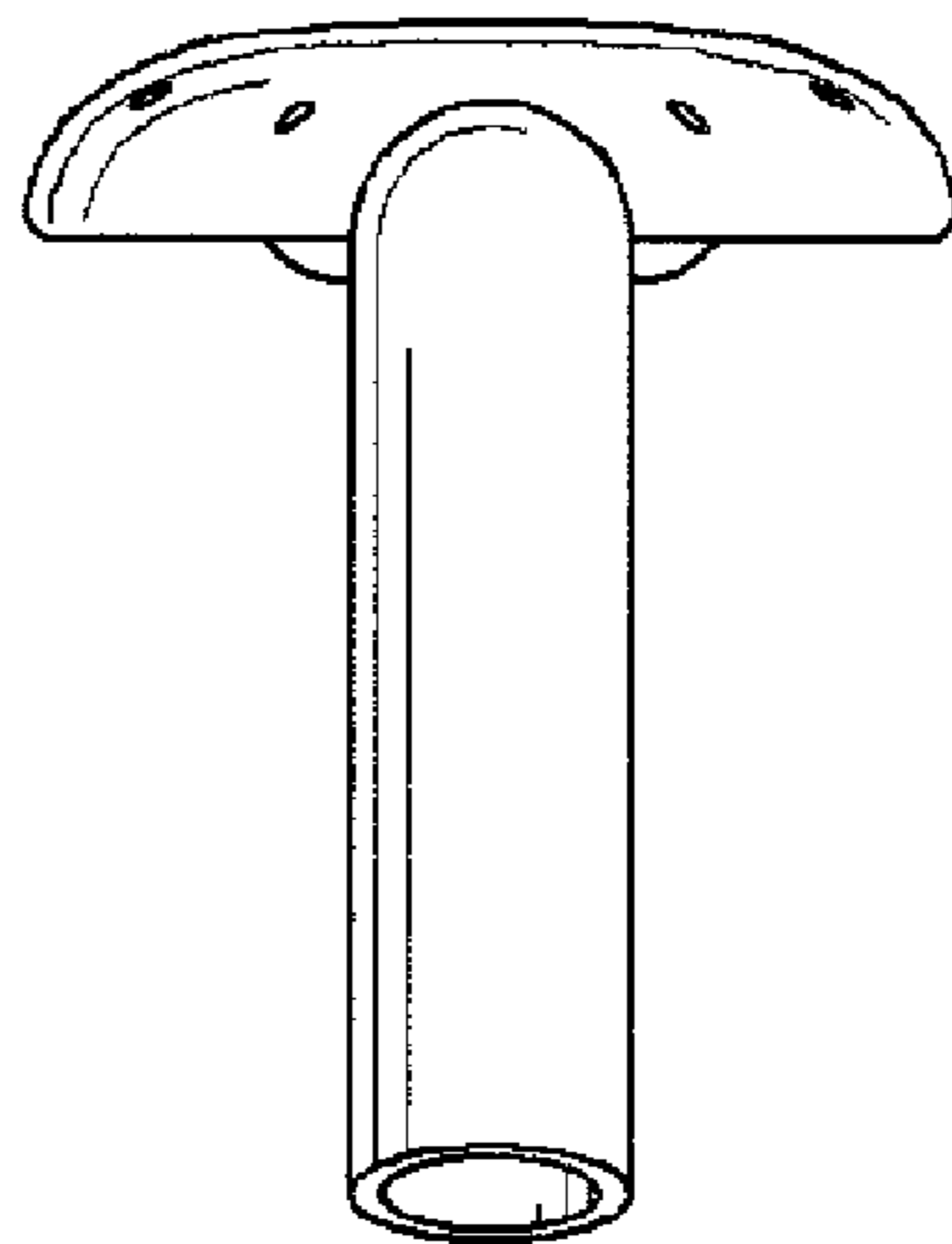


FIG. 17

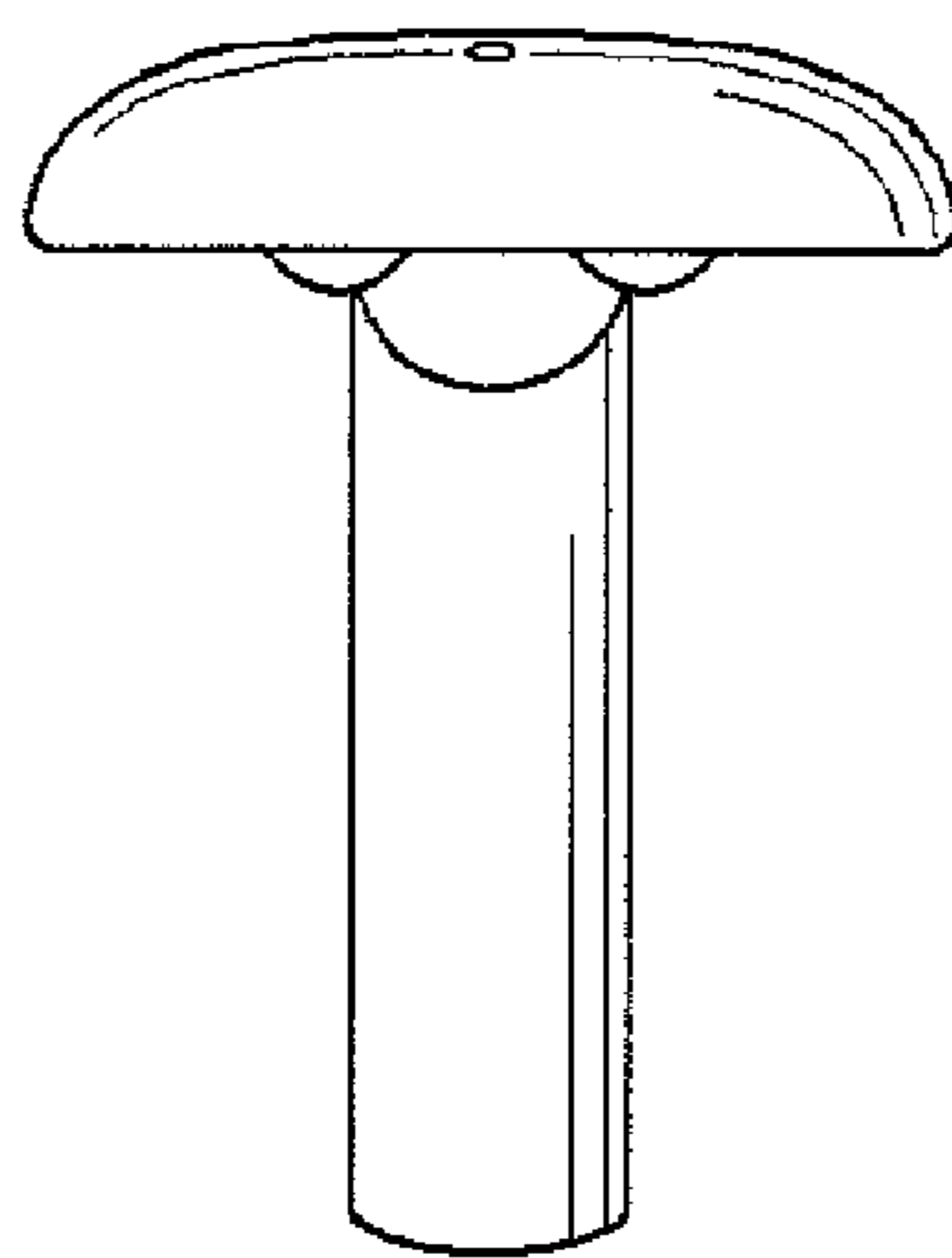


FIG. 18

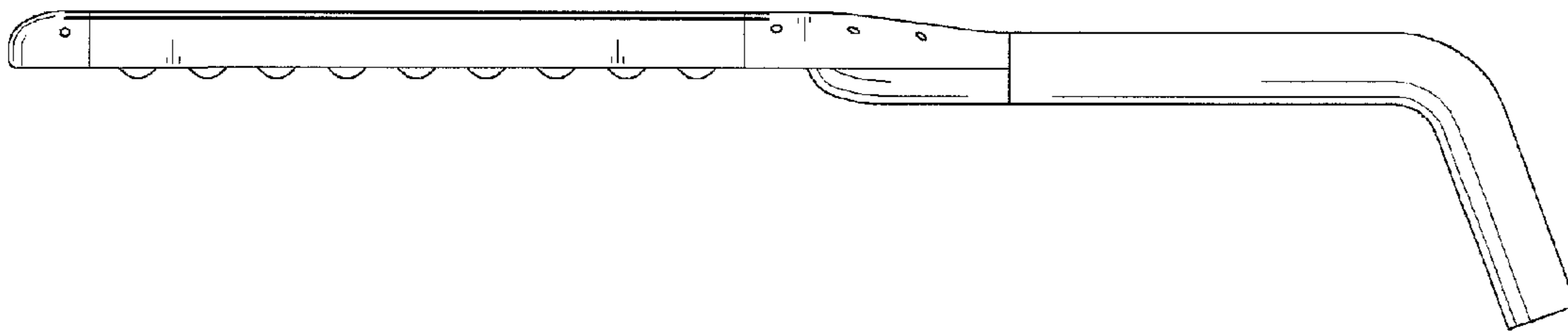


FIG. 19

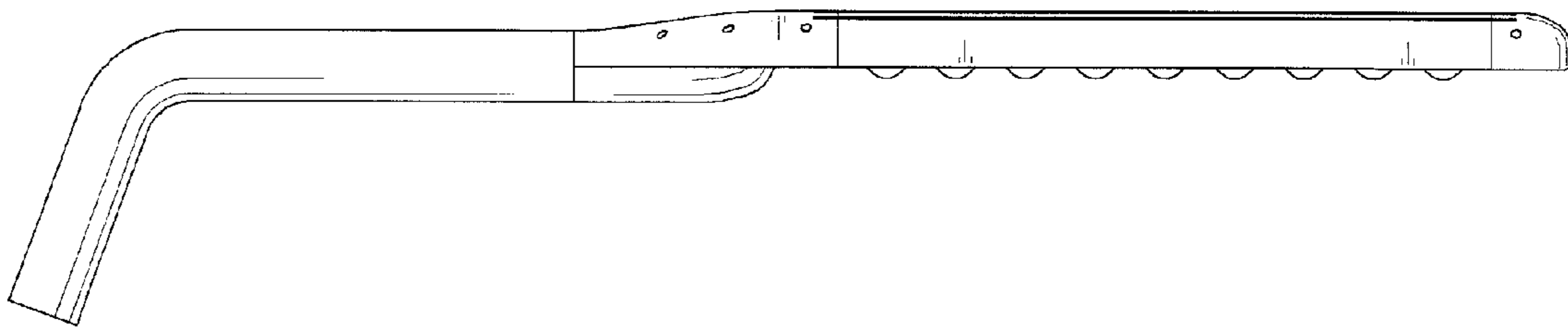


FIG. 20

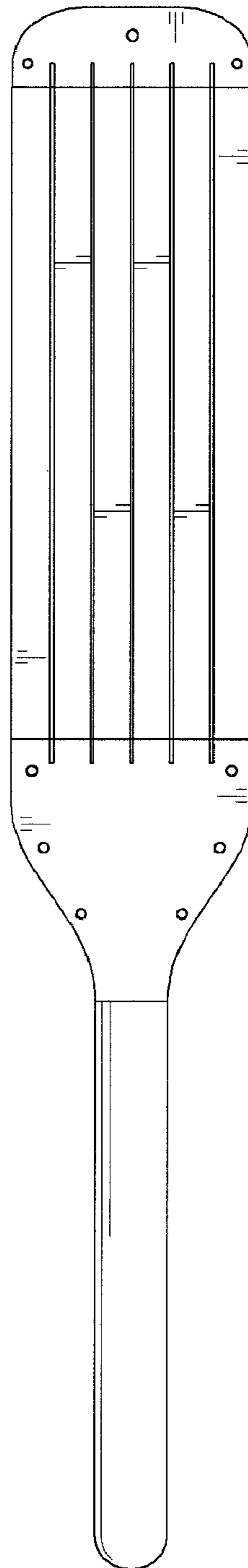


FIG. 21

