



US00D635288S

(12) **United States Design Patent**
Zolotykh et al.

(10) **Patent No.:** **US D635,288 S**

(45) **Date of Patent:** **** *Mar. 29, 2011**

(54) **SIDE MOUNTED SOLID STATE
LIGHT-BASED LAMP**

(75) Inventors: **Valeriy Zolotykh**, Burlington, MA (US);
Dmitry Layevsky, Newton, MA (US)

(73) Assignee: **OSRAM SYLVANIA Inc.**, Danvers,
MA (US)

(*) Notice: This patent is subject to a terminal disclaimer.

(**) Term: **14 Years**

(21) Appl. No.: **29/362,307**

(22) Filed: **May 25, 2010**

(51) **LOC (9) Cl.** **26-05**

(52) **U.S. Cl.** **D26/71**

(58) **Field of Classification Search** D26/67-71,
D26/85, 92; 362/145, 183, 231, 240, 249.02,
362/249.03, 249.04, 249.06, 249.16, 373,
362/431

See application file for complete search history.

(56) **References Cited**

U.S. PATENT DOCUMENTS

D201,700 S * 7/1965 Stockwell D26/71
D266,958 S * 11/1982 Gernhardt D26/92

D302,047 S * 7/1989 Flannery et al. D26/71
D313,483 S * 1/1991 Blake D26/71
D358,226 S * 5/1995 Osteen et al. D26/71
D381,106 S * 7/1997 Brohard et al. D26/67
D425,647 S * 5/2000 Leen D26/71
7,420,811 B2 * 9/2008 Chan 361/709
D580,085 S * 11/2008 Svensson D26/71
D614,791 S * 4/2010 Nibaldi D26/71
D615,229 S * 5/2010 van Klinken D26/63
D615,230 S * 5/2010 van Klinken D26/63
D615,231 S * 5/2010 van Klinken D26/63

* cited by examiner

Primary Examiner — Clare E Heflin

(74) *Attorney, Agent, or Firm* — Shaun P. Montana

(57) **CLAIM**

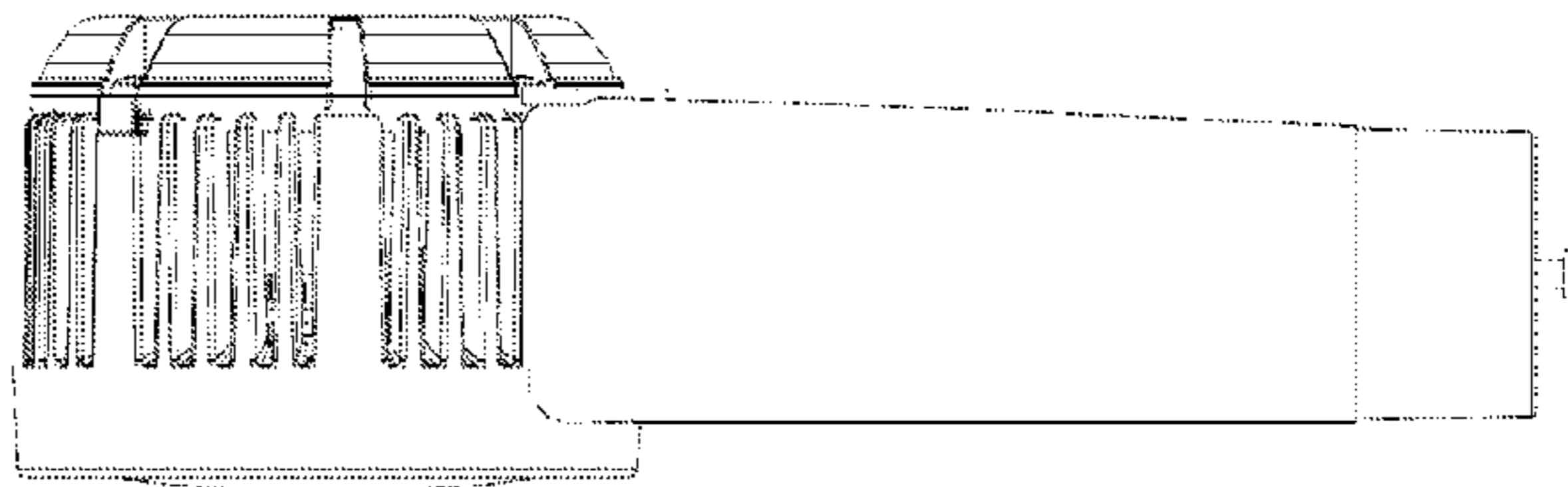
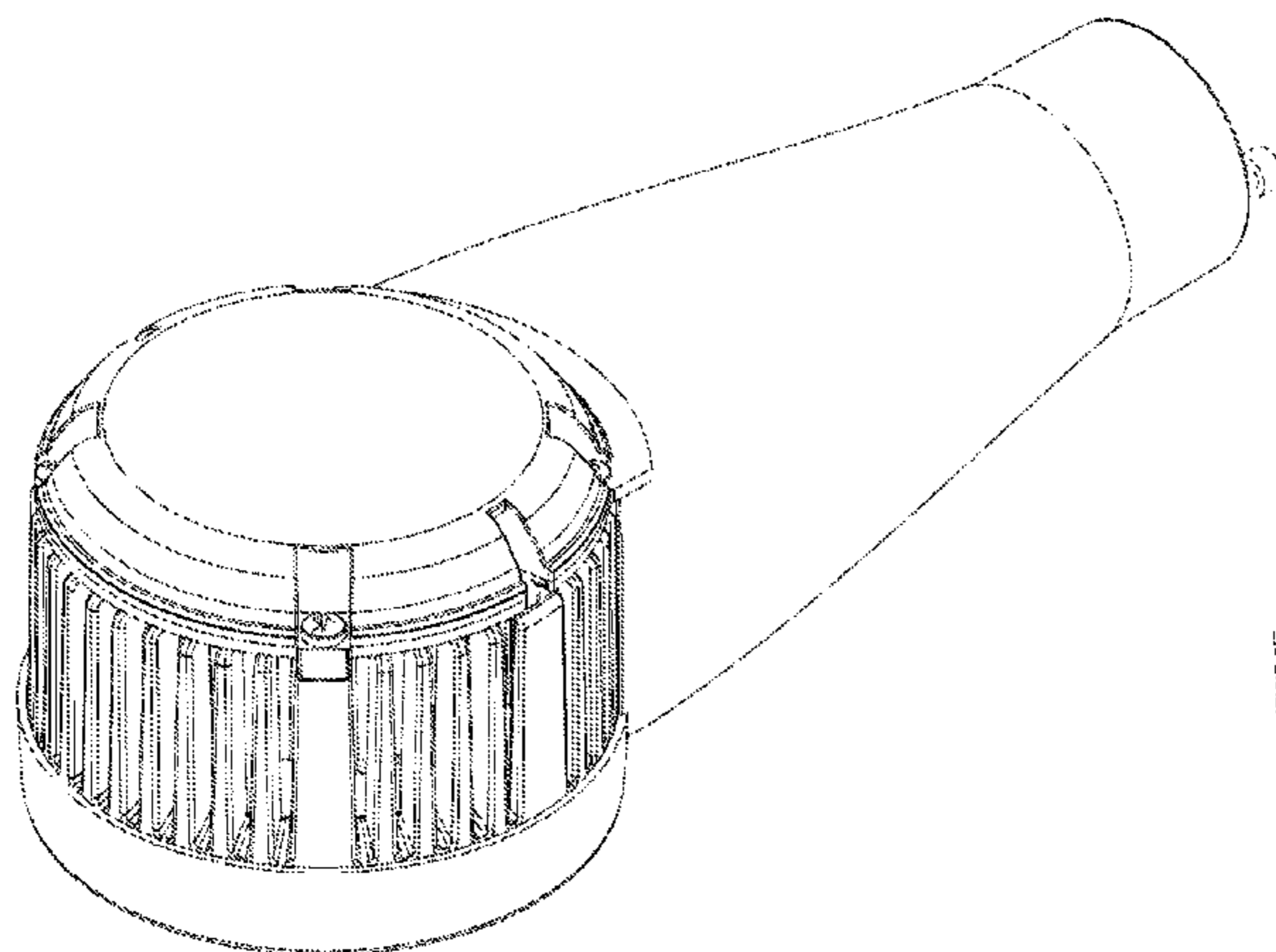
The ornamental design for a side mounted solid state light-based lamp, as shown and described.

DESCRIPTION

FIG. 1 is a perspective view of the side-mounted solid state light-based lamp showing the new design;
FIG. 2 is an opposite perspective view thereof;
FIG. 3 is a top view thereof;
FIG. 4 is a bottom view thereof;
FIG. 5 is a side view thereof;
FIG. 6 is a front view thereof; and,
FIG. 7 is a rear view thereof.

The broken-line disclosure in the views is understood to represent portions of the article in which the claimed design is embodied, but which form no part of the claimed design.

1 Claim, 5 Drawing Sheets



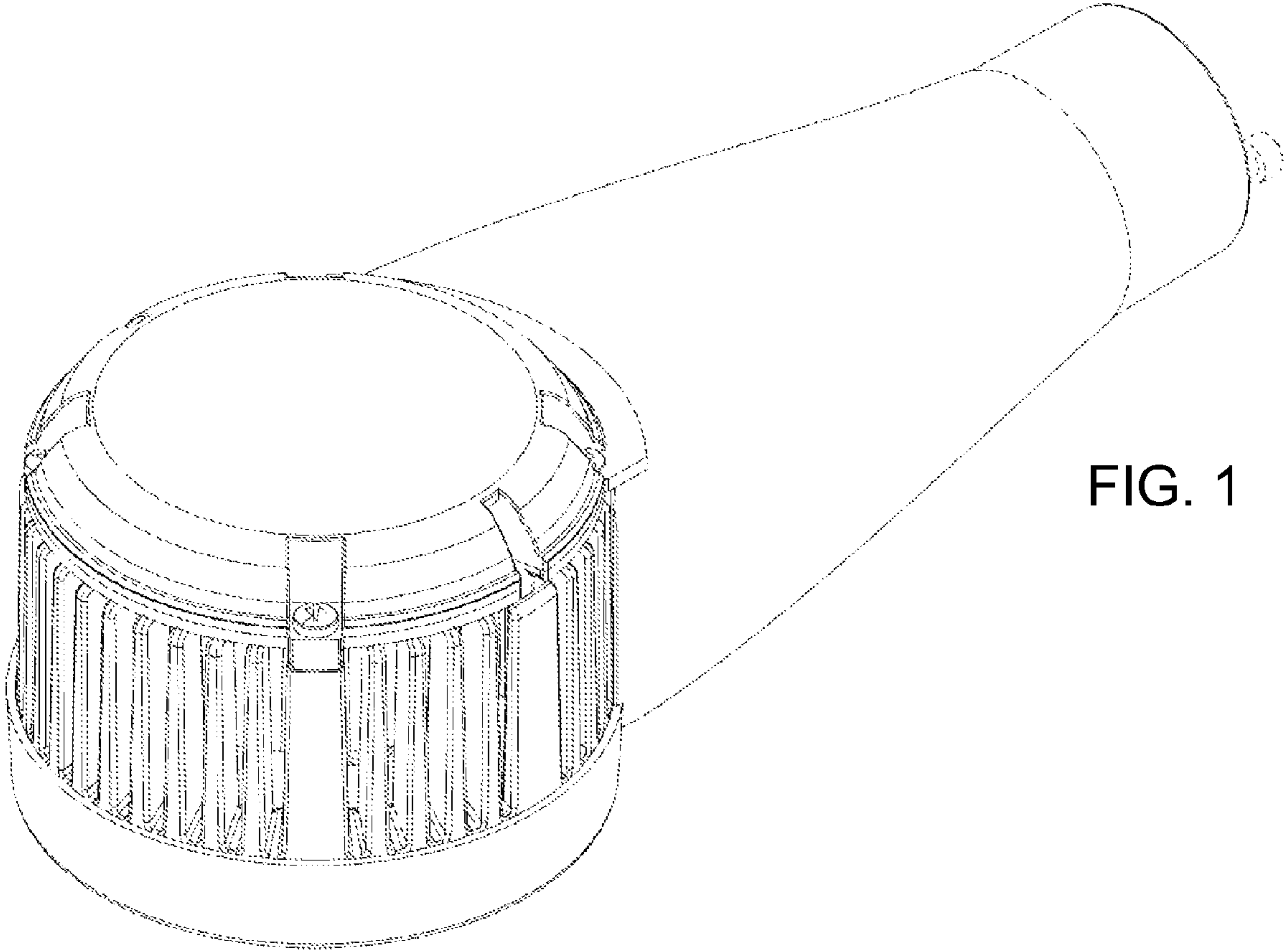


FIG. 1

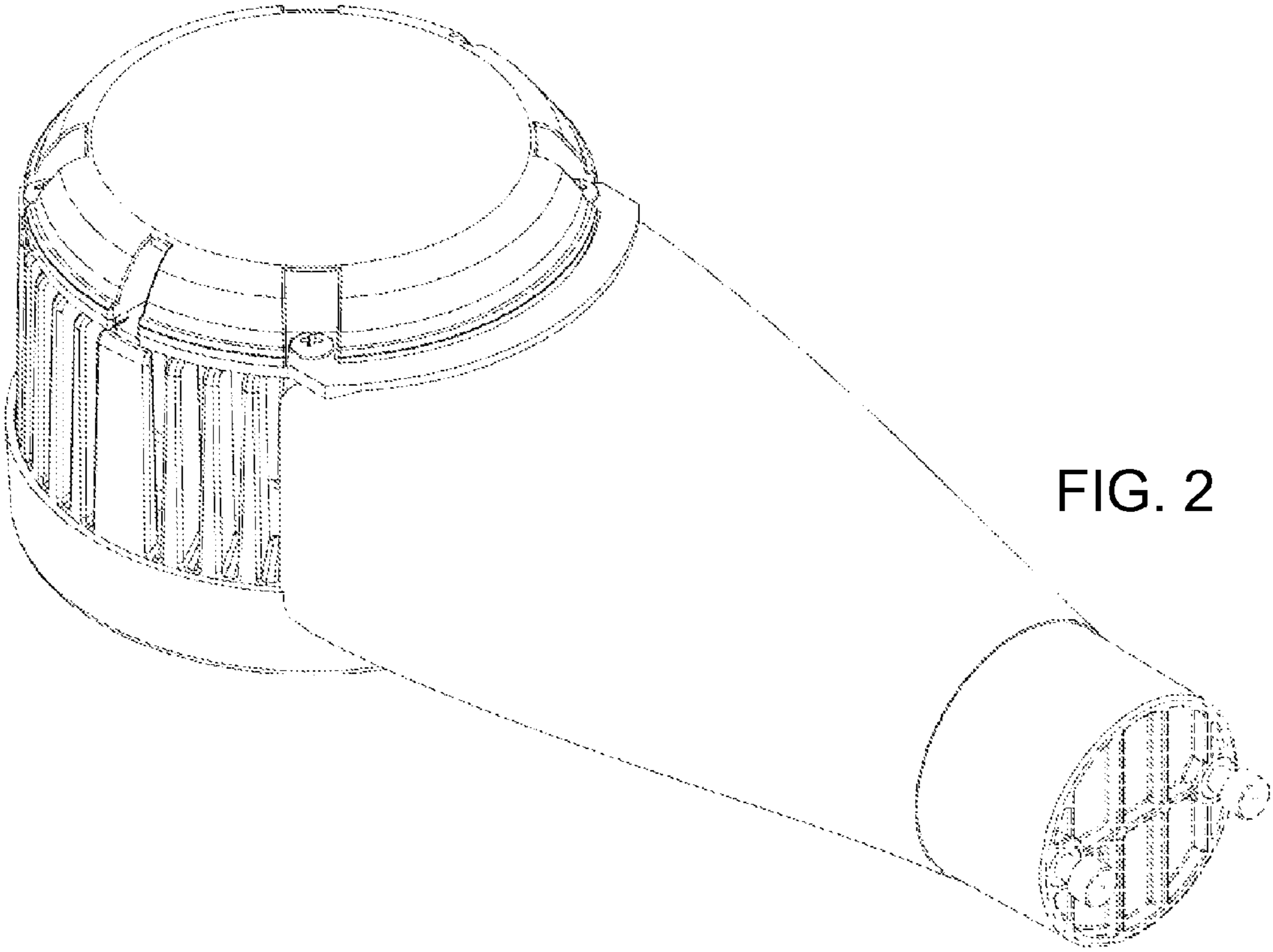


FIG. 2

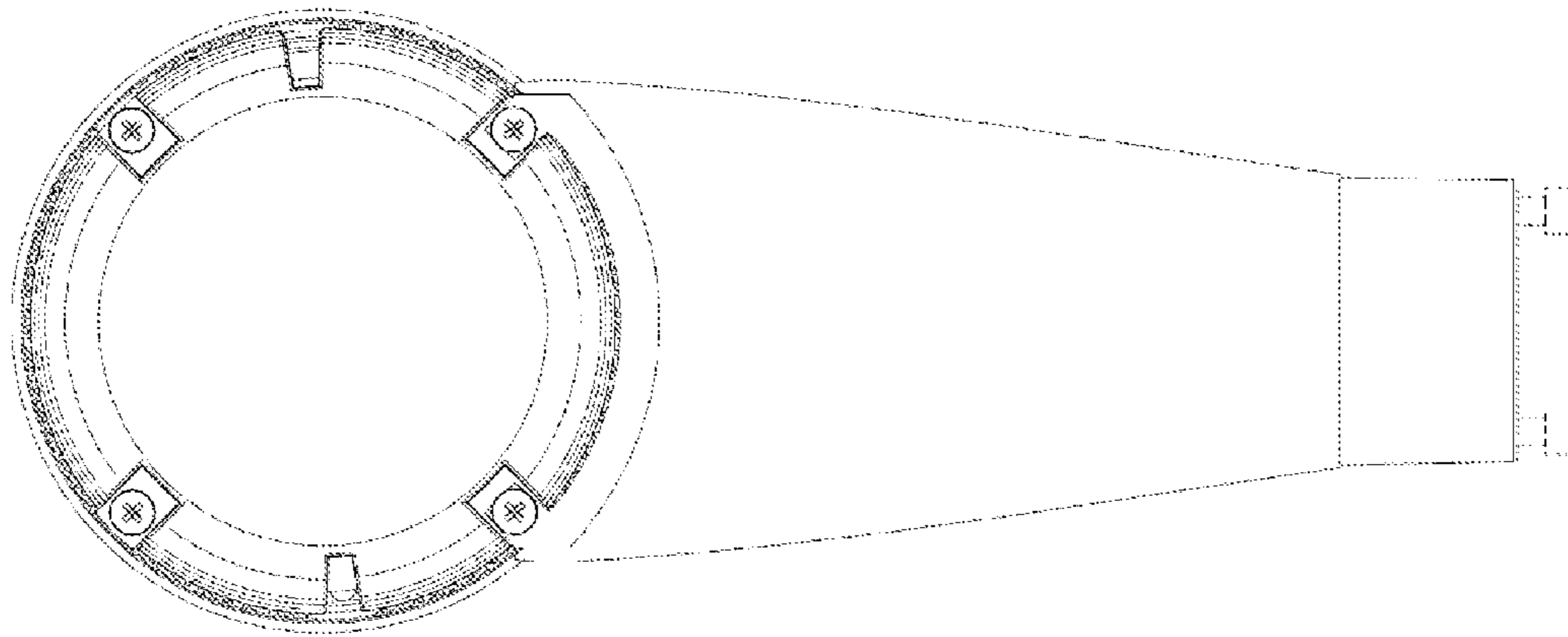


FIG. 3

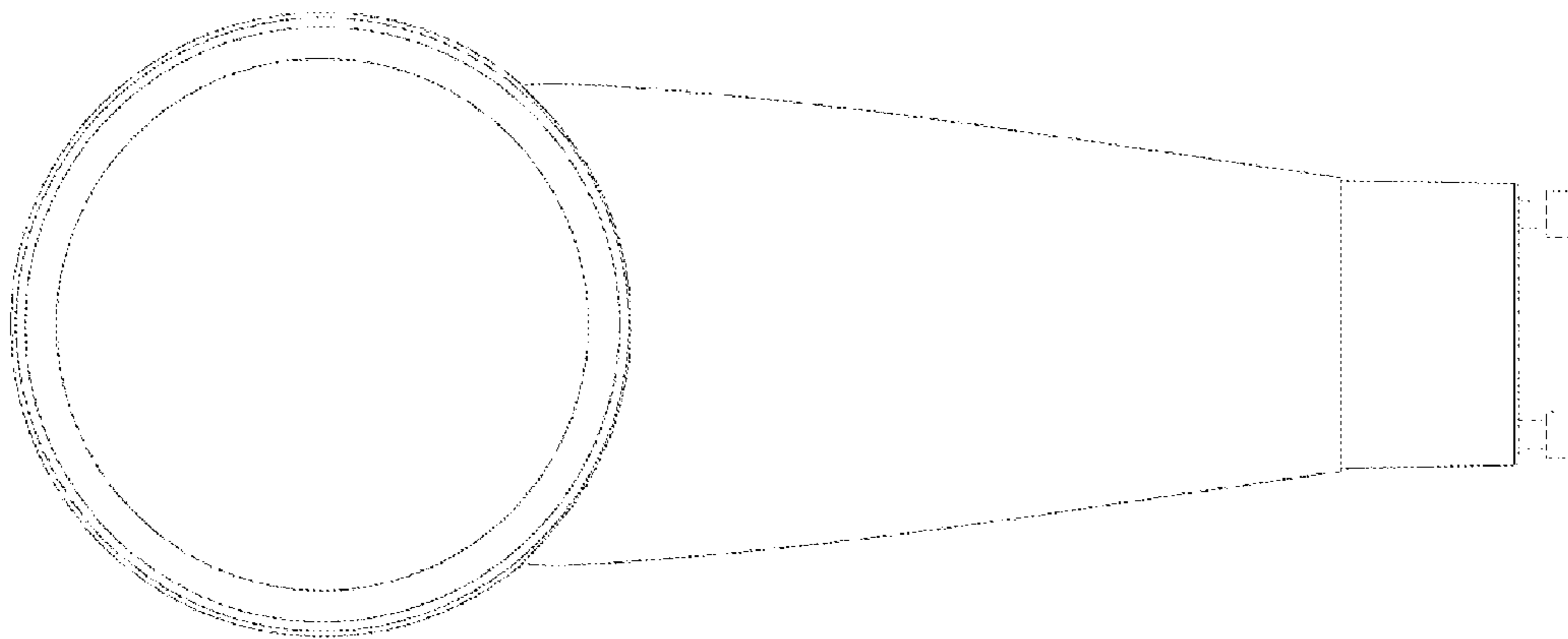


FIG. 4

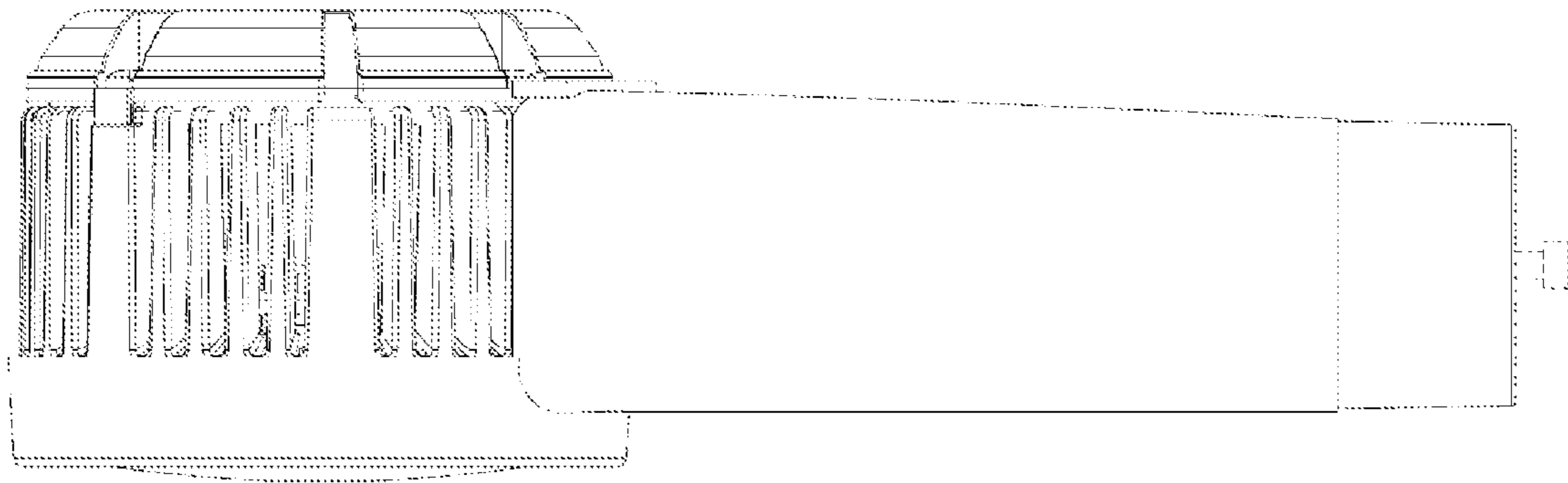


FIG. 5

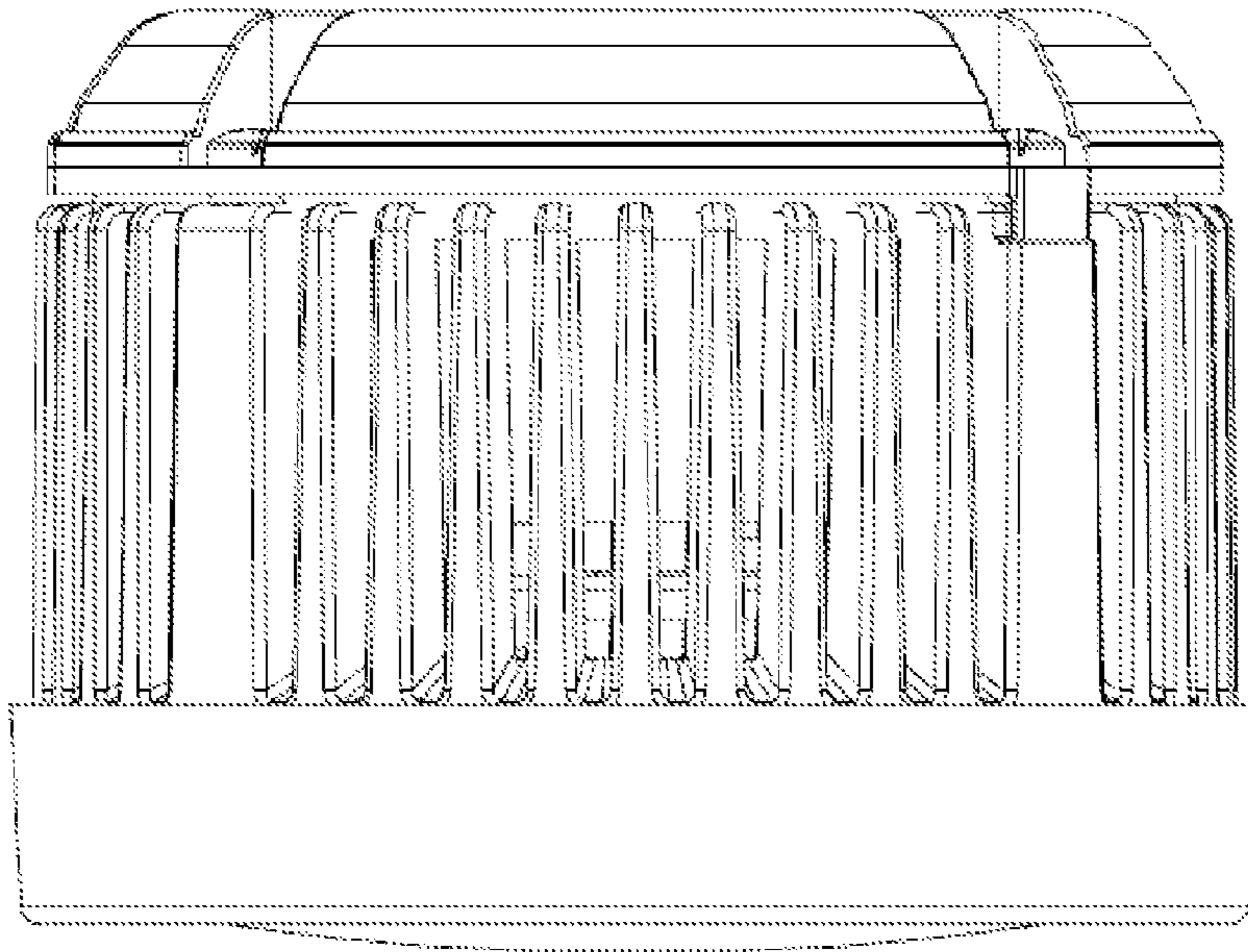


FIG. 6

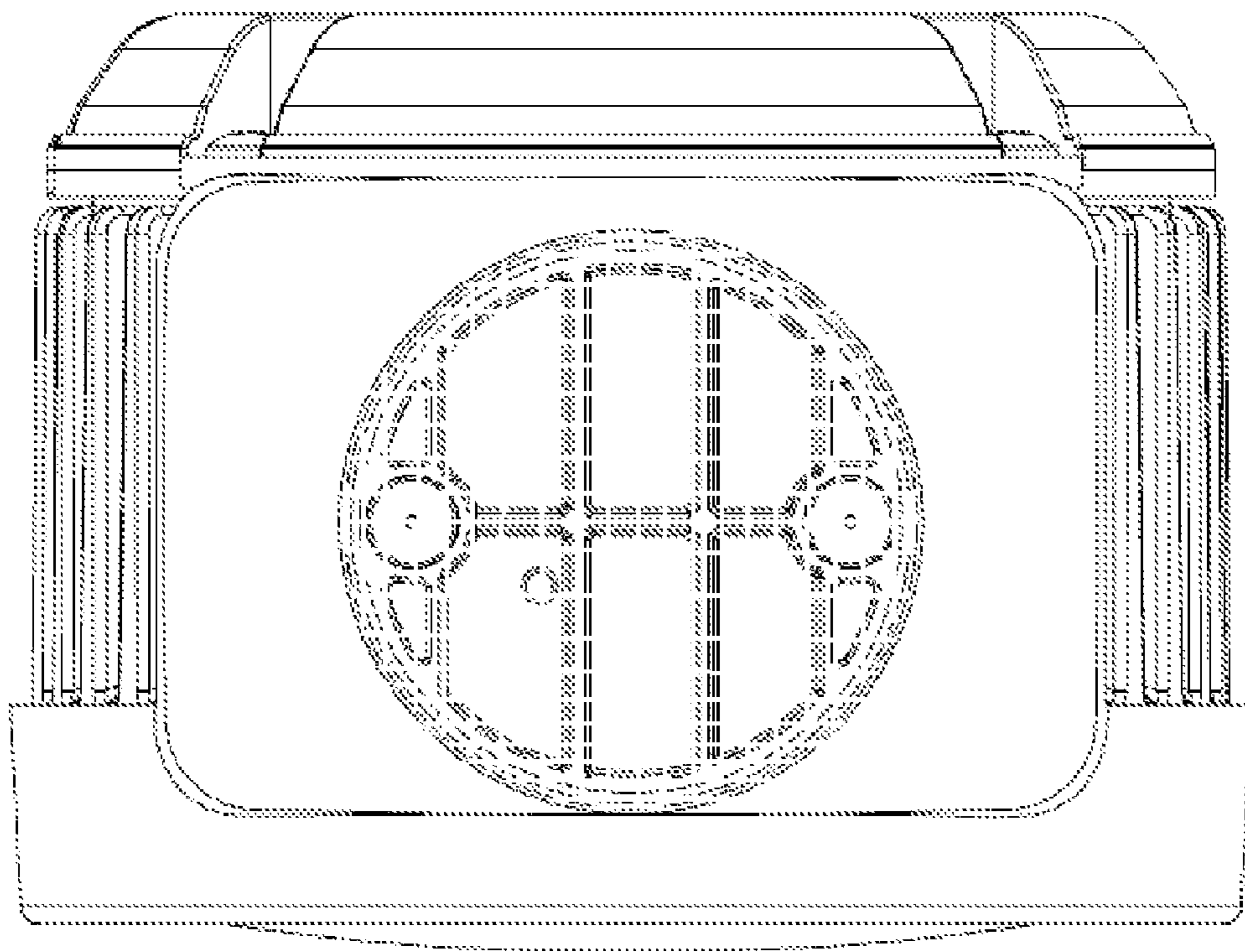


FIG. 7