



US00D635286S

(12) **United States Design Patent**  
**Schüssler**

(10) **Patent No.:** **US D635,286 S**  
(45) **Date of Patent:** **\*\* Mar. 29, 2011**

(54) **LIGHT ILLUMINATION SOURCE FOR LOUPES AND ACCESSORIES**

(75) Inventor: **Andreas Schüssler**, Munich (DE)

(73) Assignee: **Carl Zeiss Surgical GmbH**,  
Oberkochen (DE)

(\*\*) Term: **14 Years**

(21) Appl. No.: **29/309,540**

(22) Filed: **Aug. 29, 2008**

(30) **Foreign Application Priority Data**

Apr. 8, 2008 (EM) ..... 000913595

(51) **LOC (9) Cl.** ..... **26-02**

(52) **U.S. Cl.** ..... **D26/39; D26/44**

(58) **Field of Classification Search** ..... D26/37,  
D26/38, 39, 44, 46, 49, 50; 362/157, 158,  
362/183, 187, 190, 191, 194-208

See application file for complete search history.

(56) **References Cited**

**U.S. PATENT DOCUMENTS**

D111,577 S \* 10/1938 Arenburg ..... D26/60  
(Continued)

*Primary Examiner* — Charles A Rademaker

*Assistant Examiner* — Carissa C Fitts

(74) *Attorney, Agent, or Firm* — Walter Ottesen

(57) **CLAIM**

The ornamental design for a light illumination source for loupes and accessories, as shown and described.

**DESCRIPTION**

FIG. 1 is a perspective of a light illumination source for loupes and accessories of my new design mounted on spectacles equipped with binoculars;

FIG. 2 is a top plan view of said light illumination source for loupes and accessories of FIG. 1;

FIG. 3 is a right side elevation view of said light illumination source for loupes and accessories of FIG. 1;

FIG. 4 is a bottom plan view of said light illumination source for loupes and accessories of FIG. 1;

FIG. 5 is a left side elevation view of said light illumination source for loupes and accessories of FIG. 1;

FIG. 6 is a front elevation view of said light illumination source for loupes and accessories of FIG. 1;

FIG. 7 is a rear elevation view of said light illumination source for loupes and accessories of FIG. 1;

FIG. 8 is a perspective view of said light illumination source for loupes and accessories of my new design mounted on a medical loupe with head set;

FIG. 9 is a top plan view of said light illumination source for loupes and accessories as shown in FIG. 8;

FIG. 10 is a right side elevation view of said light illumination source for loupes and accessories shown in FIG. 8;

FIG. 11 is a bottom plan view of said light illumination source for loupes and accessories as shown in FIG. 8;

FIG. 12 is a left side elevation view of said light illumination source for loupes and accessories shown in FIG. 8;

FIG. 13 is a rear elevation view of said light illumination source for loupes and accessories shown in FIG. 8;

FIG. 14 is a front elevation view of said light illumination source for loupes and accessories shown in FIG. 8;

FIG. 15 is a perspective view of said light illumination source for loupes and accessories of my new design shown mounted on a medical loupe which is mounted, in turn, on spectacles;

FIG. 16 is a top plan view of said light illumination source for loupes and accessories shown in FIG. 15;

FIG. 17 is a right side elevation view of said light illumination source for loupes and accessories shown in FIG. 15;

FIG. 18 is a bottom plan view of said light illumination source for loupes and accessories shown in FIG. 15;

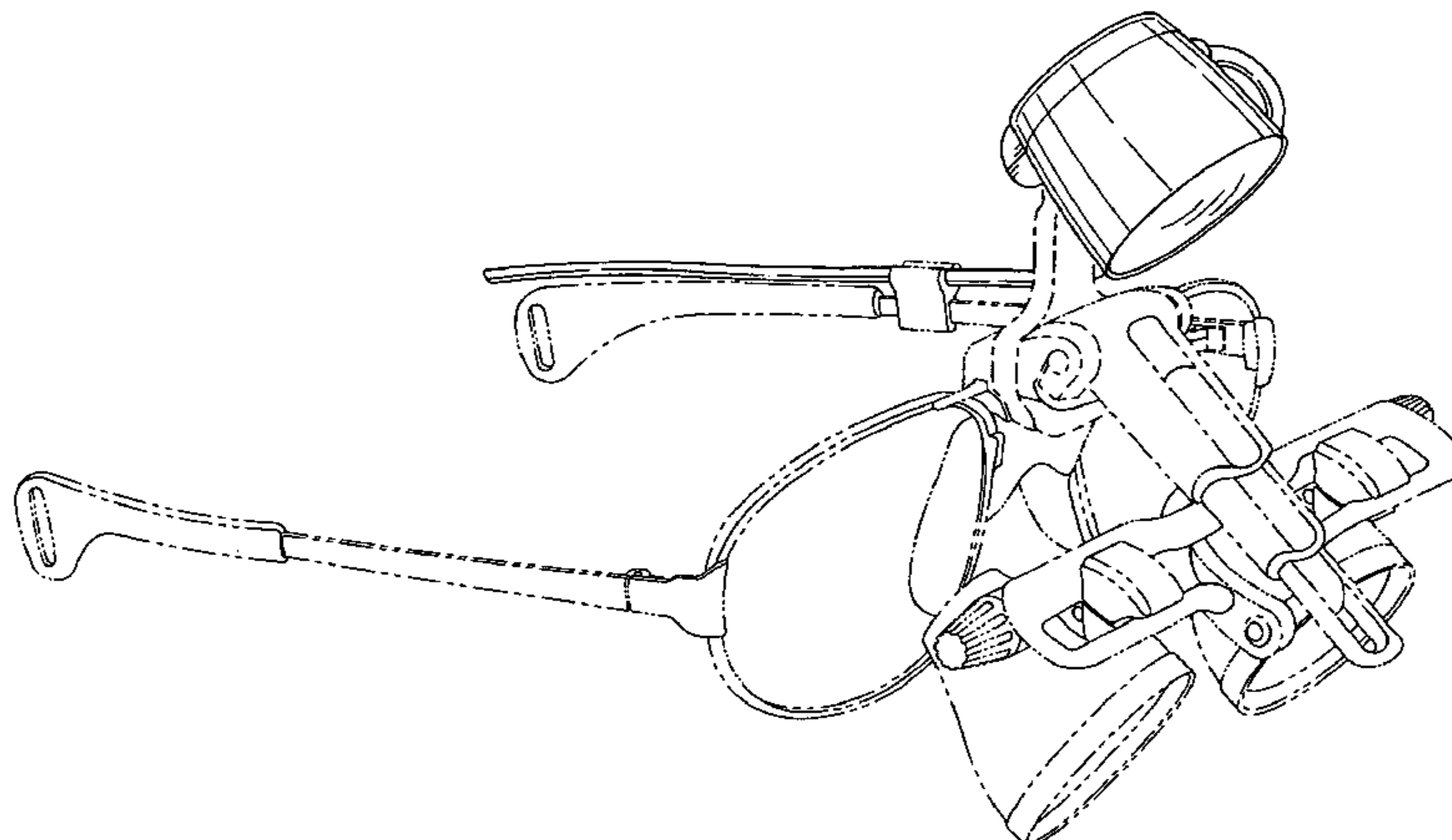
FIG. 19 is a left side elevation view of said light illumination source for loupes and accessories shown in FIG. 15;

FIG. 20 is a front elevation view of said light illumination source for loupes and accessories shown in FIG. 15; and;

FIG. 21 is a rear elevation view of said light illumination source for loupes and accessories shown in FIG. 15.

The inverted T-bracket holding the light illumination source, spectacles and binoculars shown in FIGS. 1 to 7 and the medical loupe with headset shown in FIGS. 8 to 14 and the spectacles and medical loupe shown in FIGS. 15 to 21 are for illustrative purposes only and form no part of the claimed design.

**1 Claim, 18 Drawing Sheets**



# US D635,286 S

Page 2

---

## U.S. PATENT DOCUMENTS

D113,626 S *	3/1939	Gagnon .....	D26/60	D497,683 S *	10/2004	Cooper .....	D26/39
D113,627 S *	3/1939	Gagnon .....	D26/60	D499,199 S *	11/2004	Cooper .....	D26/39
D293,029 S *	12/1987	Shwisha .....	D26/60	D507,668 S *	7/2005	Kwong .....	D26/24
D373,433 S *	9/1996	Feinbloom .....	D26/39	D509,842 S *	9/2005	Ou .....	D16/203
D376,665 S *	12/1996	Chan .....	D26/60	RE39,162 E *	7/2006	Caplan et al. ....	362/105
D405,901 S *	2/1999	Feinbloom et al. ....	D26/39	D527,137 S *	8/2006	Urich .....	D26/138
D440,330 S *	4/2001	Scott et al. ....	D26/28	D566,871 S *	4/2008	Kumthampinij et al. ....	D26/60
D463,048 S *	9/2002	Scott et al. ....	D26/28	D582,085 S *	12/2008	Feinbloom et al. ....	D26/39
6,488,373 B1 *	12/2002	Feinbloom et al. ....	351/57	2007/0153498 A1 *	7/2007	Wilt et al. ....	362/103
D482,476 S *	11/2003	Kwong .....	D26/63				

\* cited by examiner

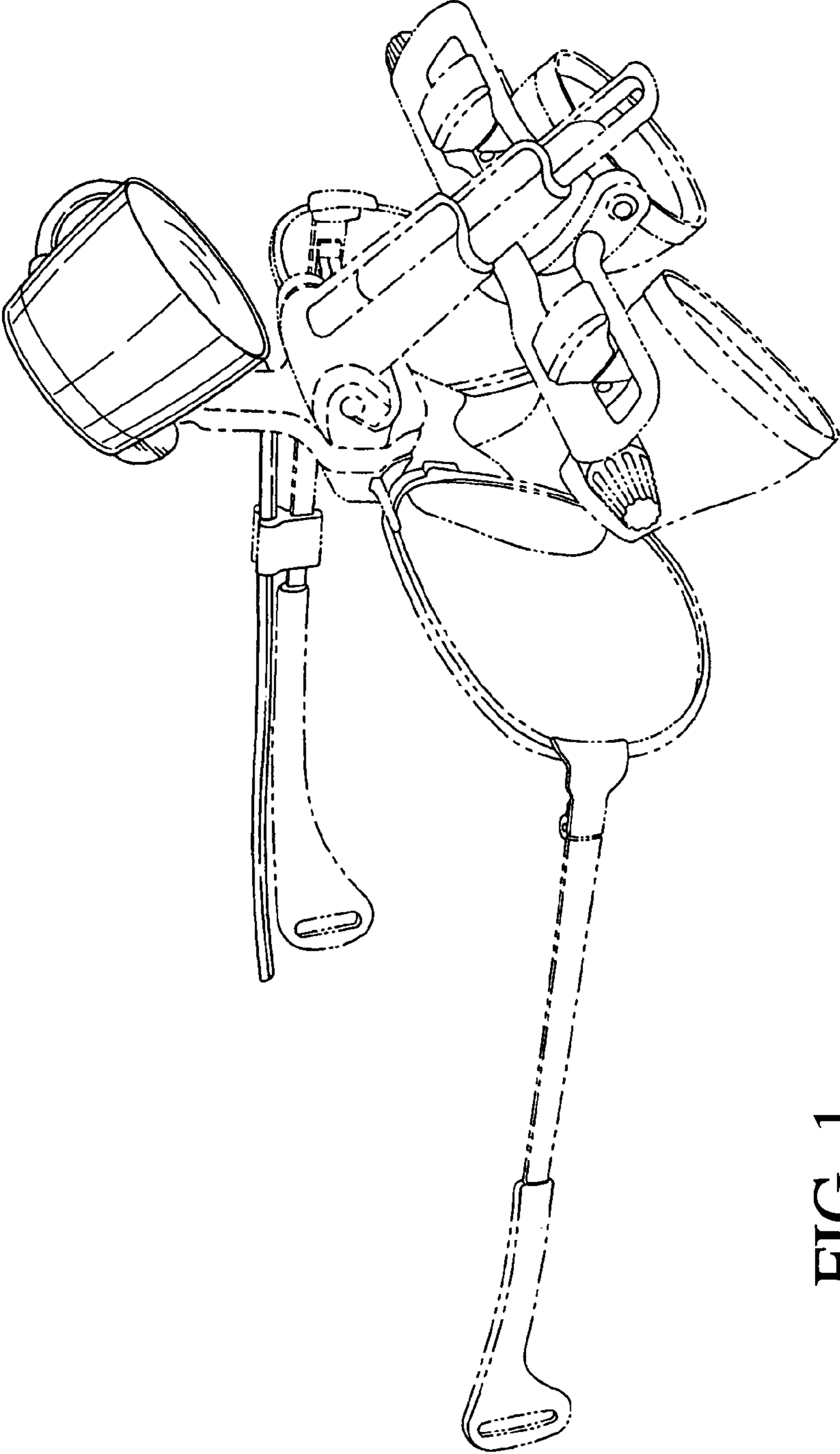


FIG. 1

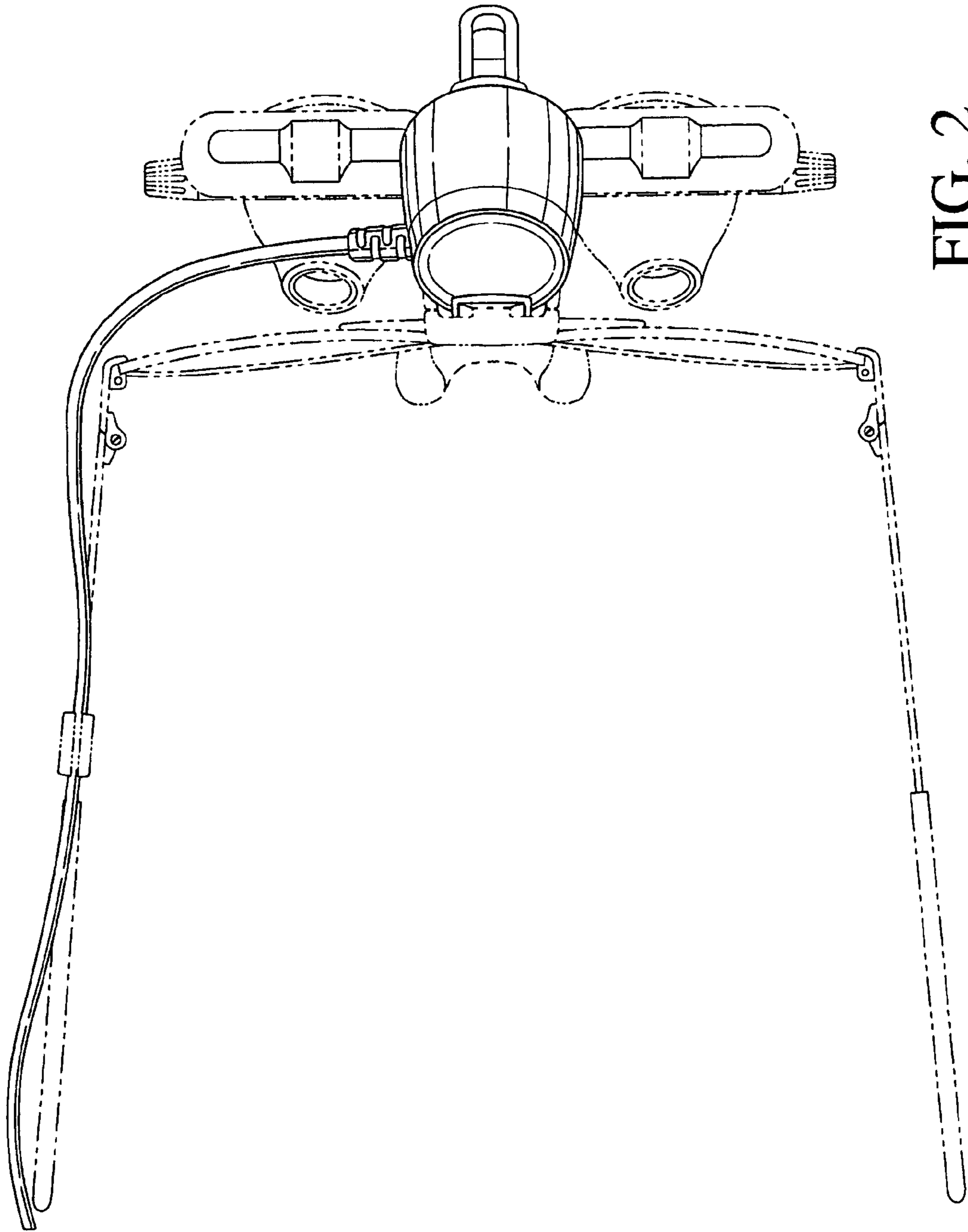


FIG. 2

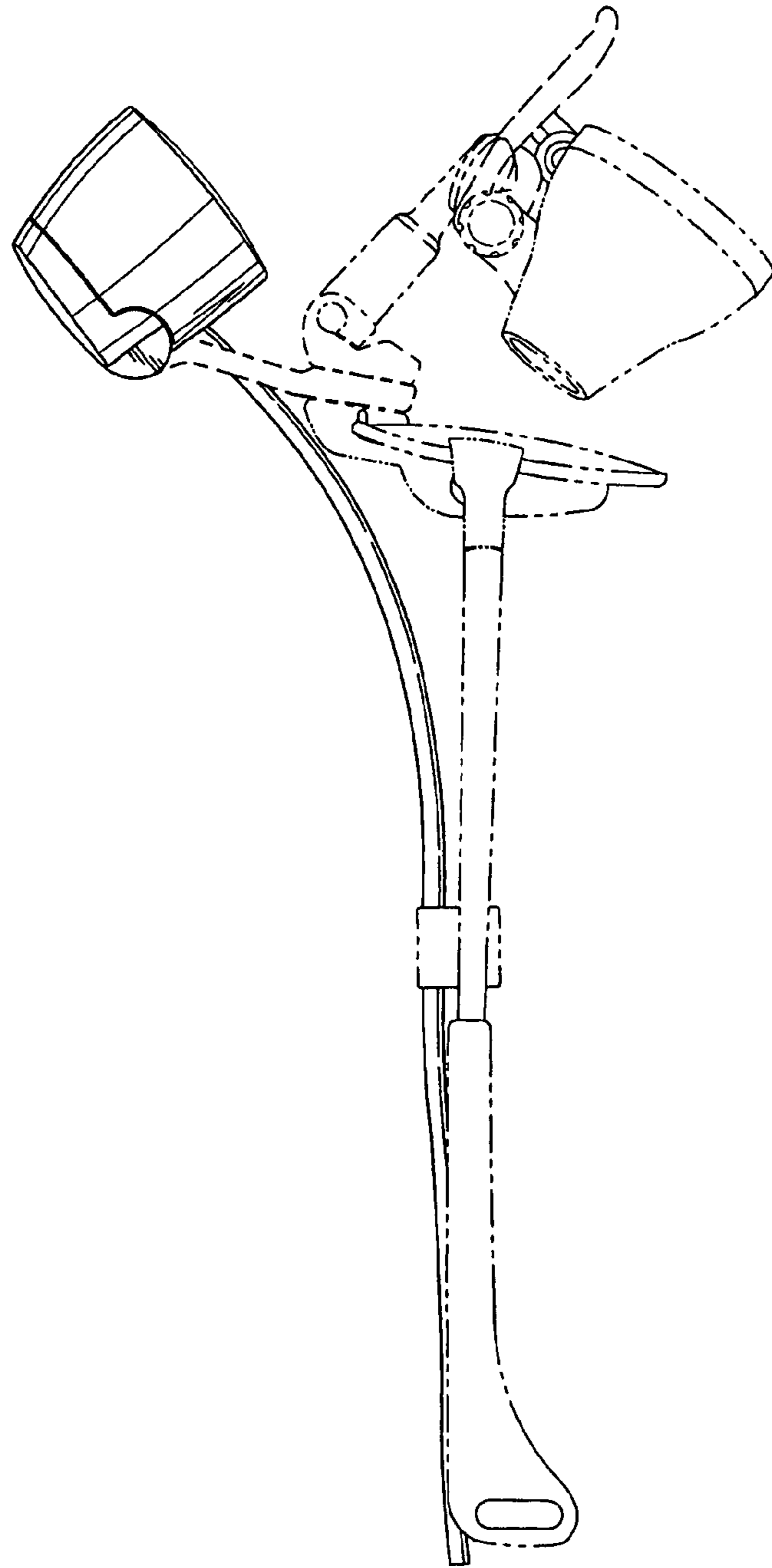


FIG. 3

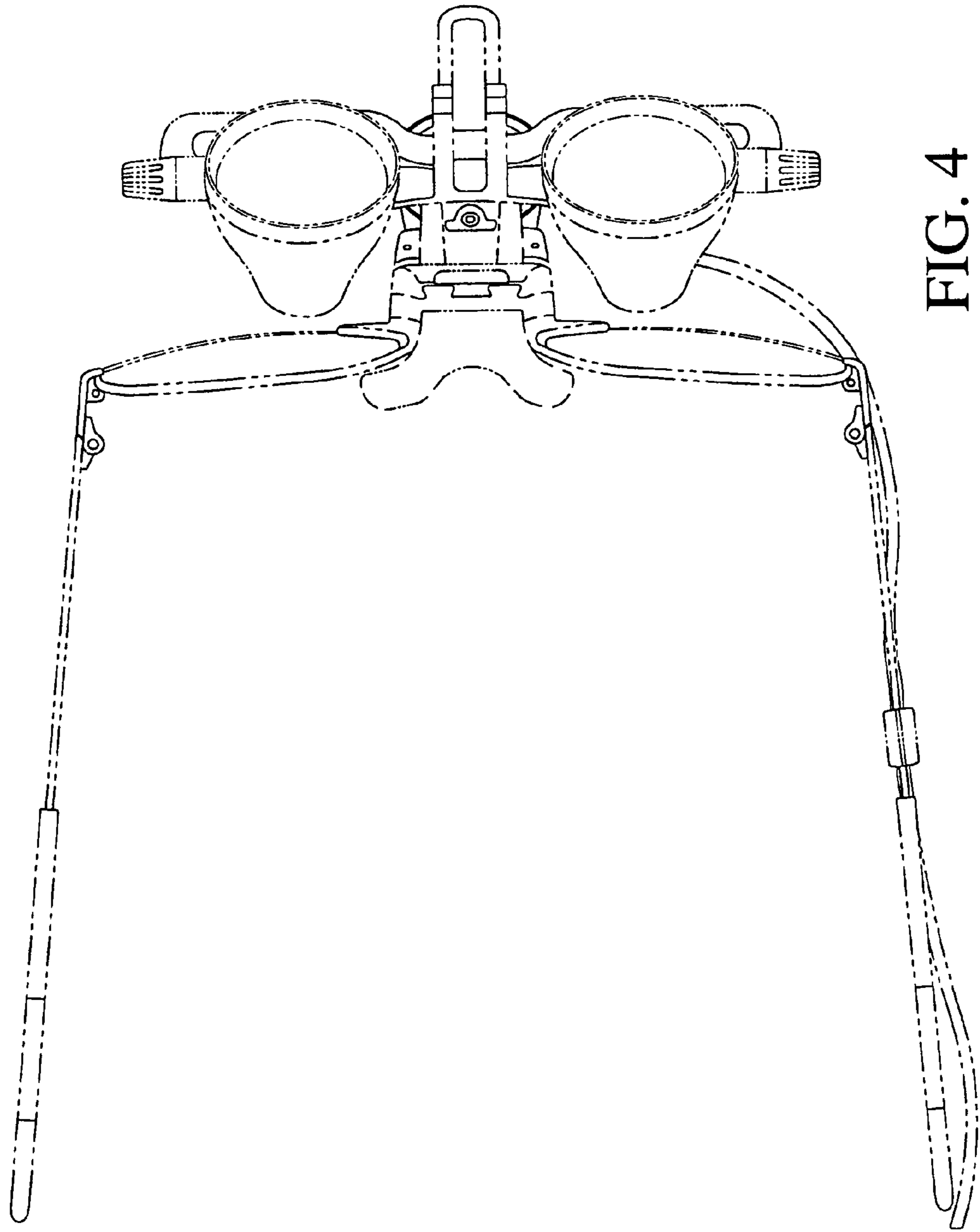


FIG. 4

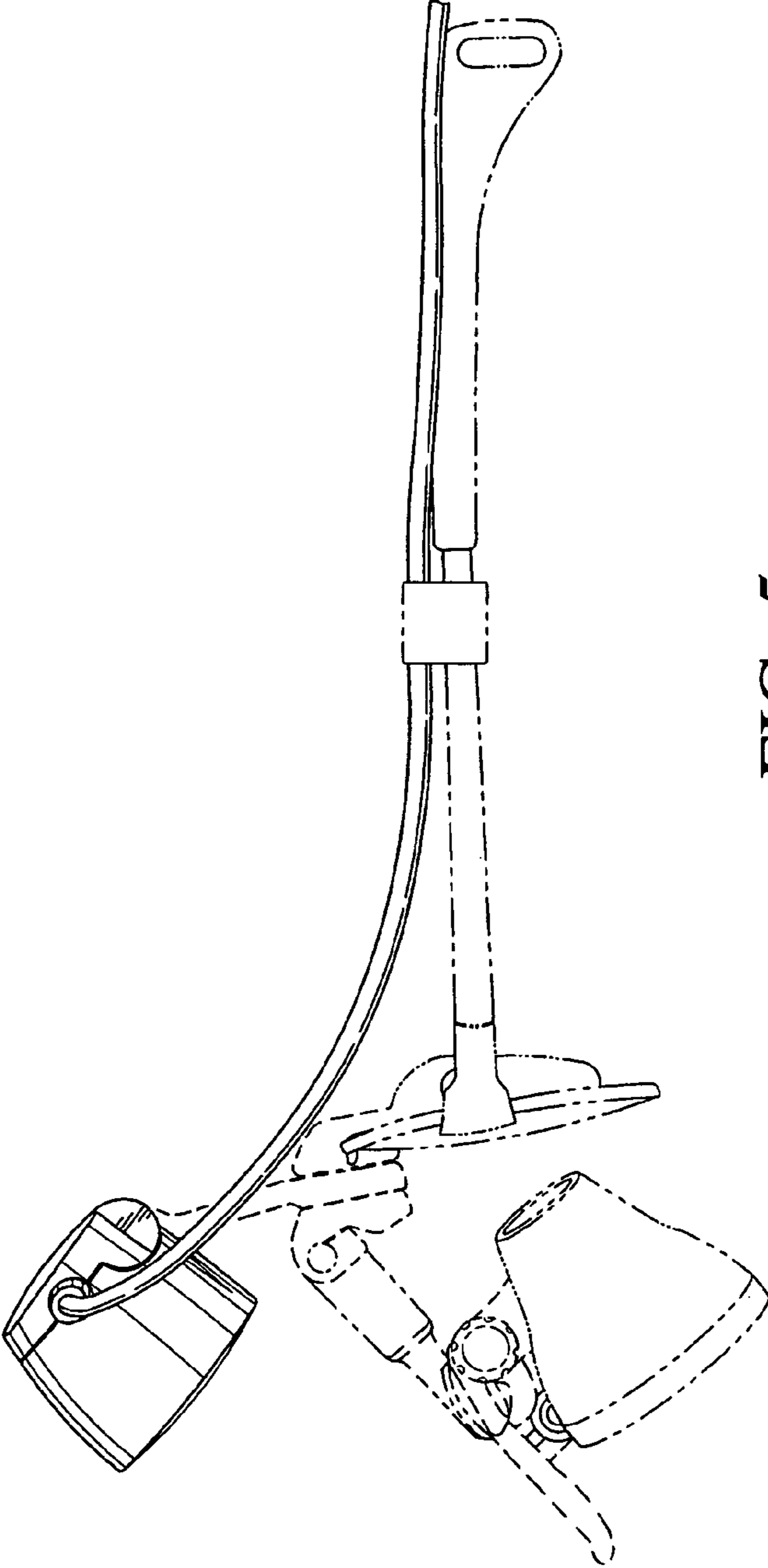


FIG. 5

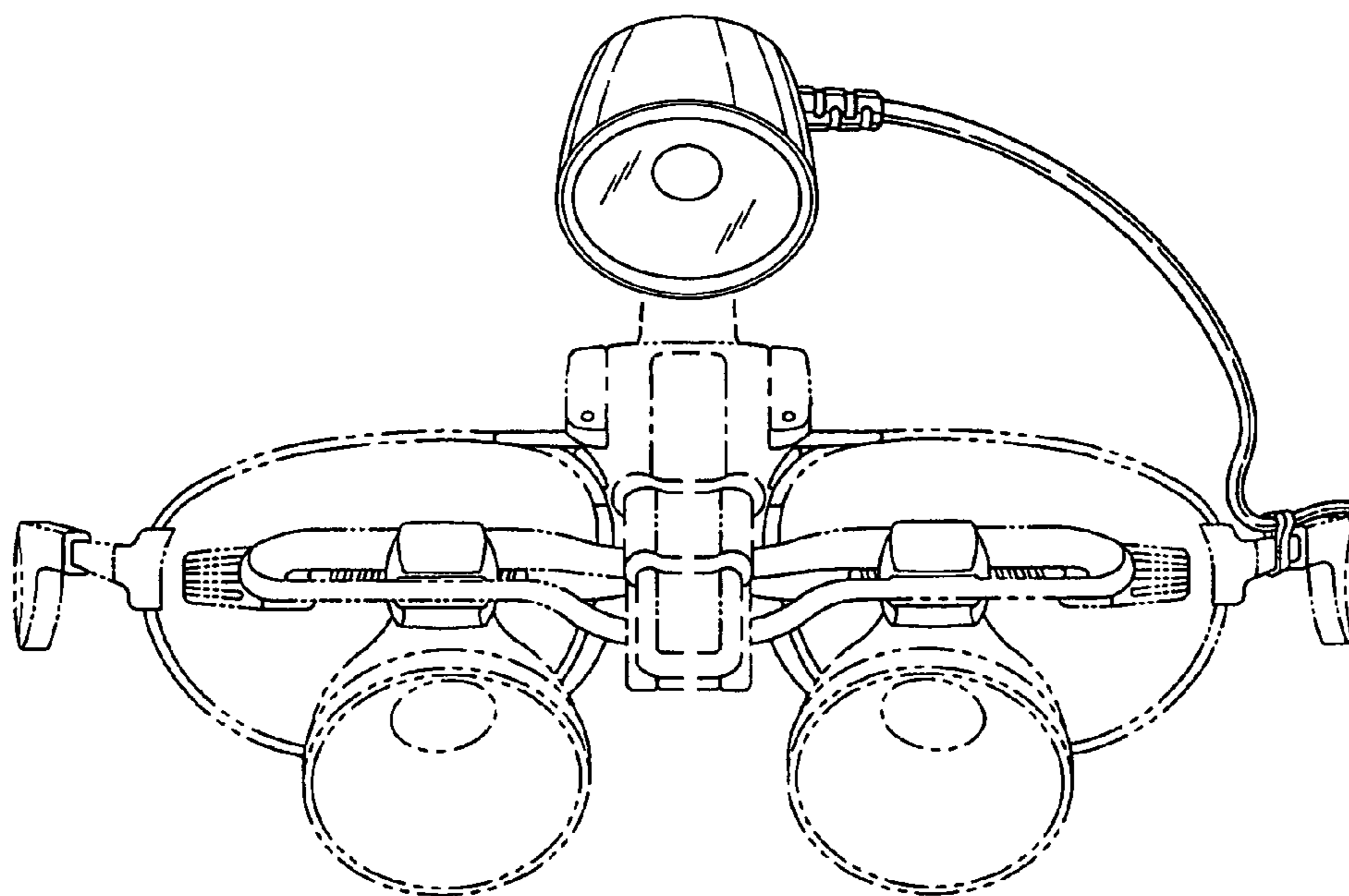


FIG. 6

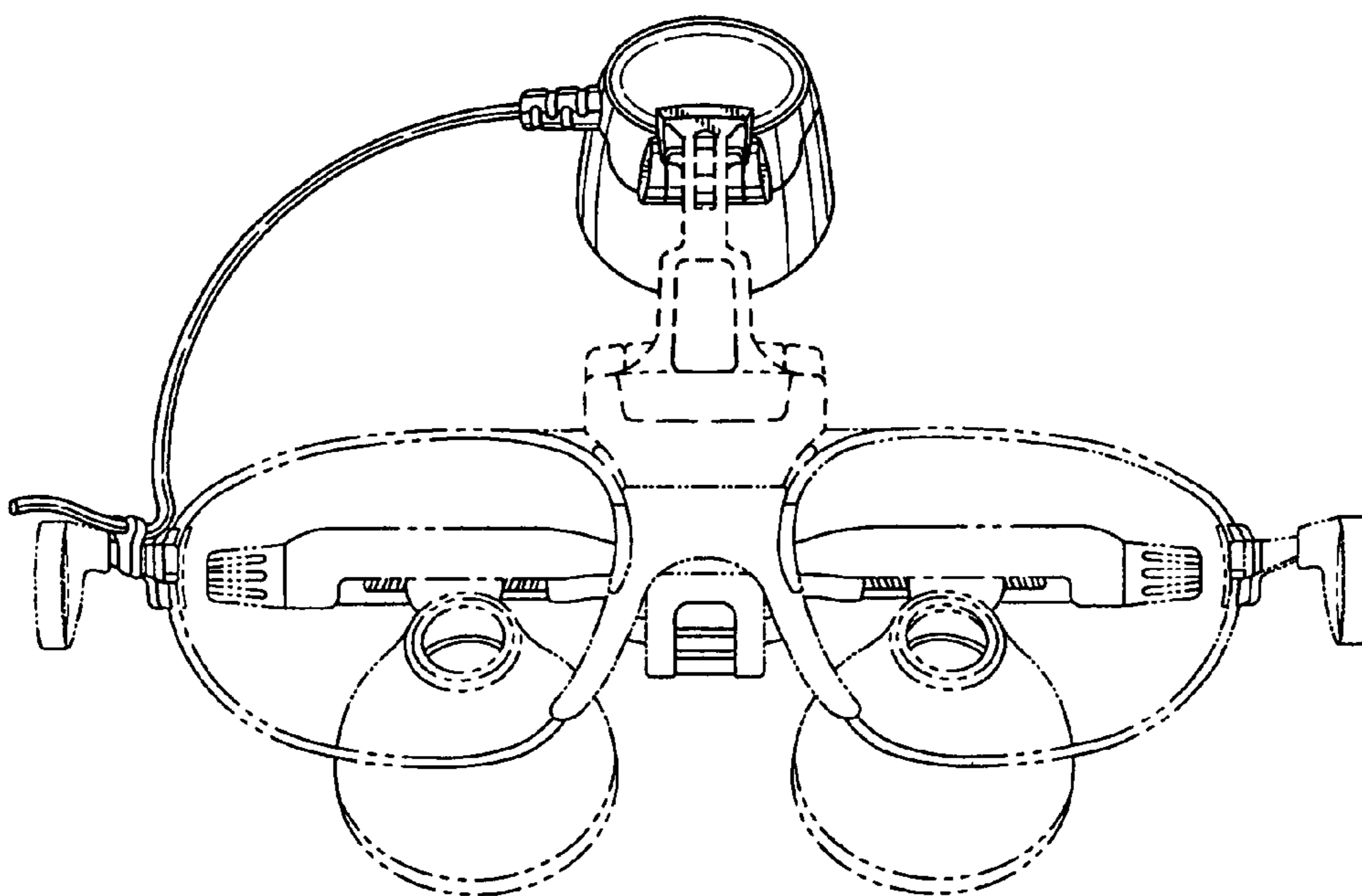


FIG. 7



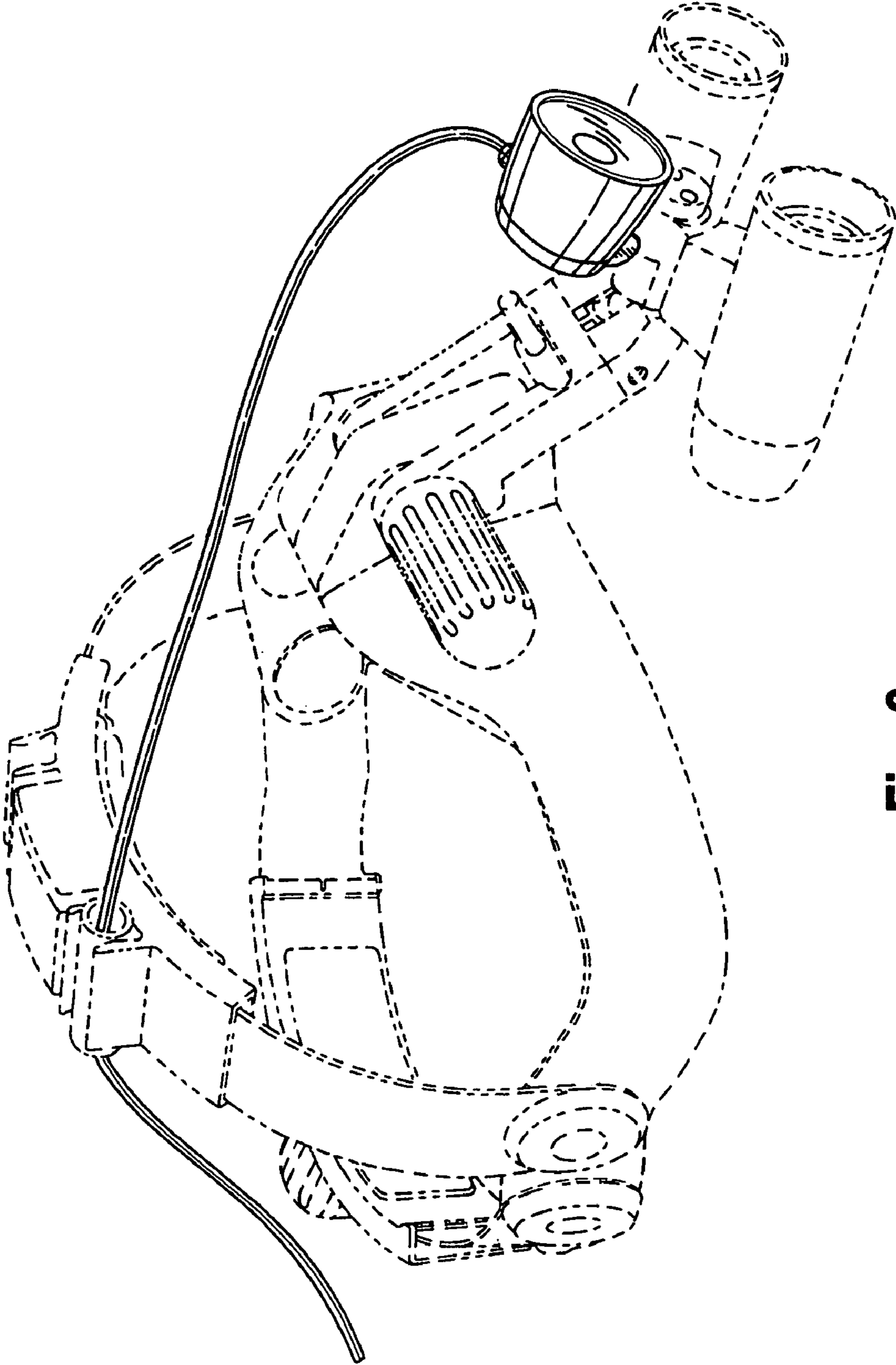


Fig. 8

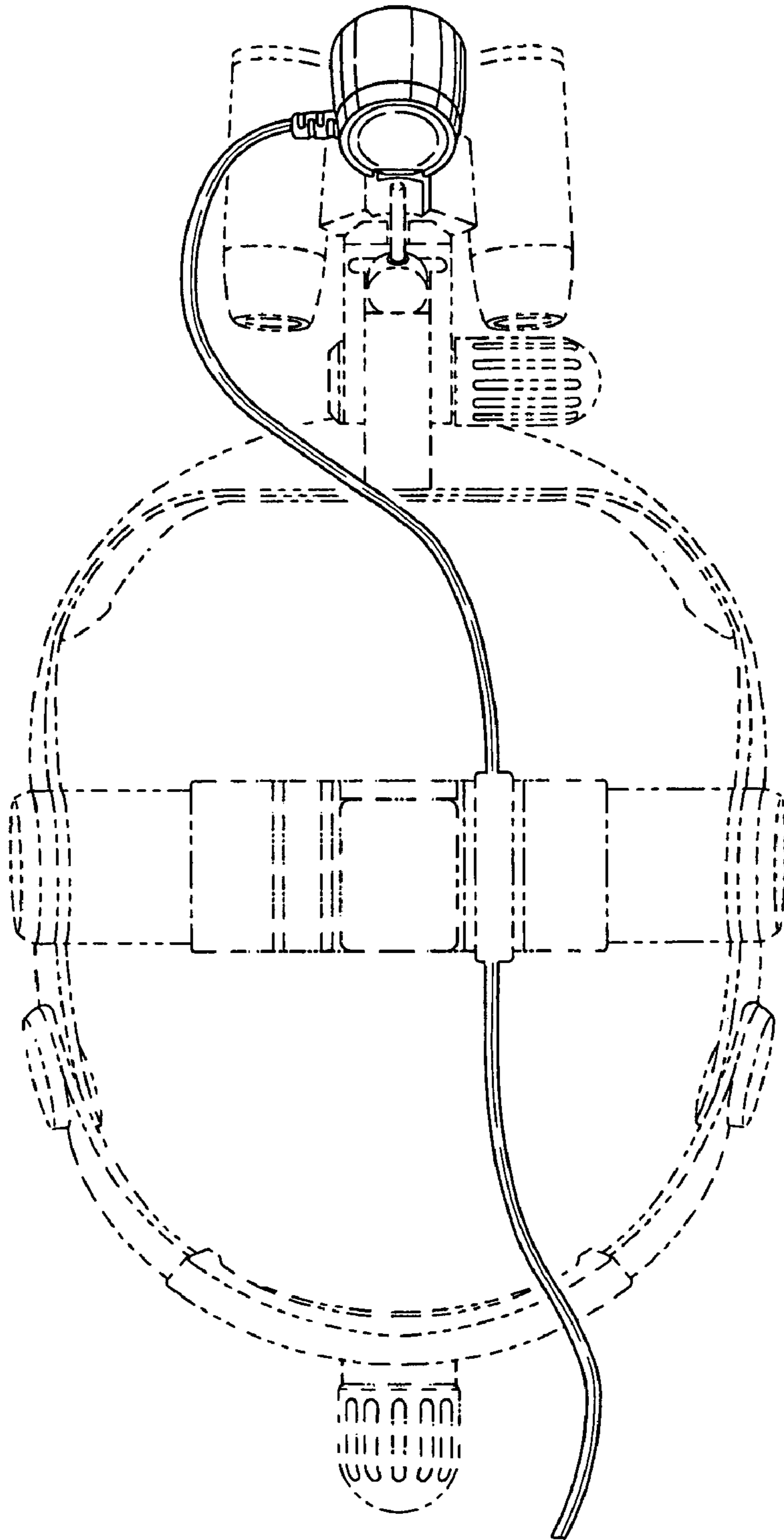


Fig. 9

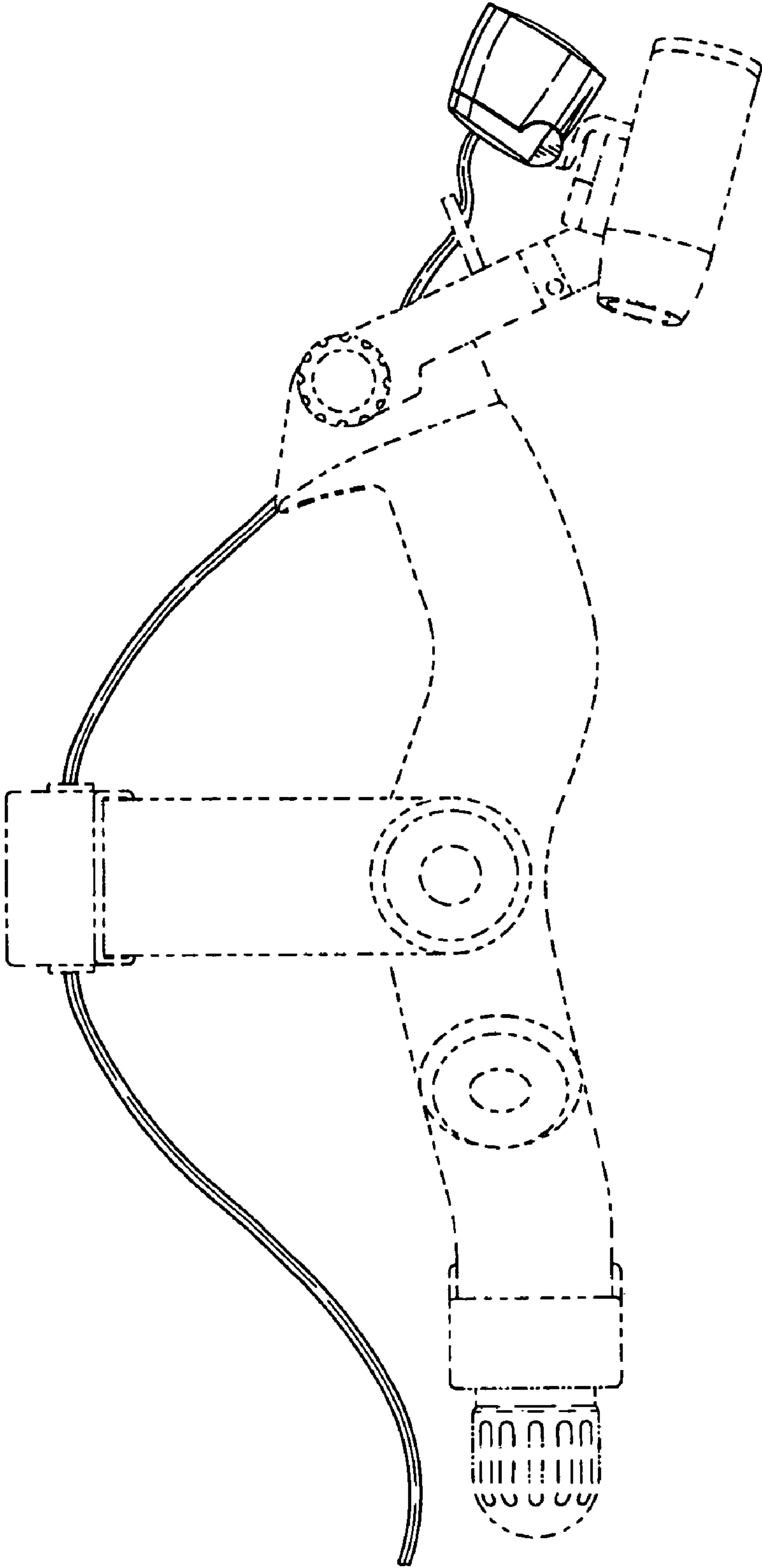


Fig. 10

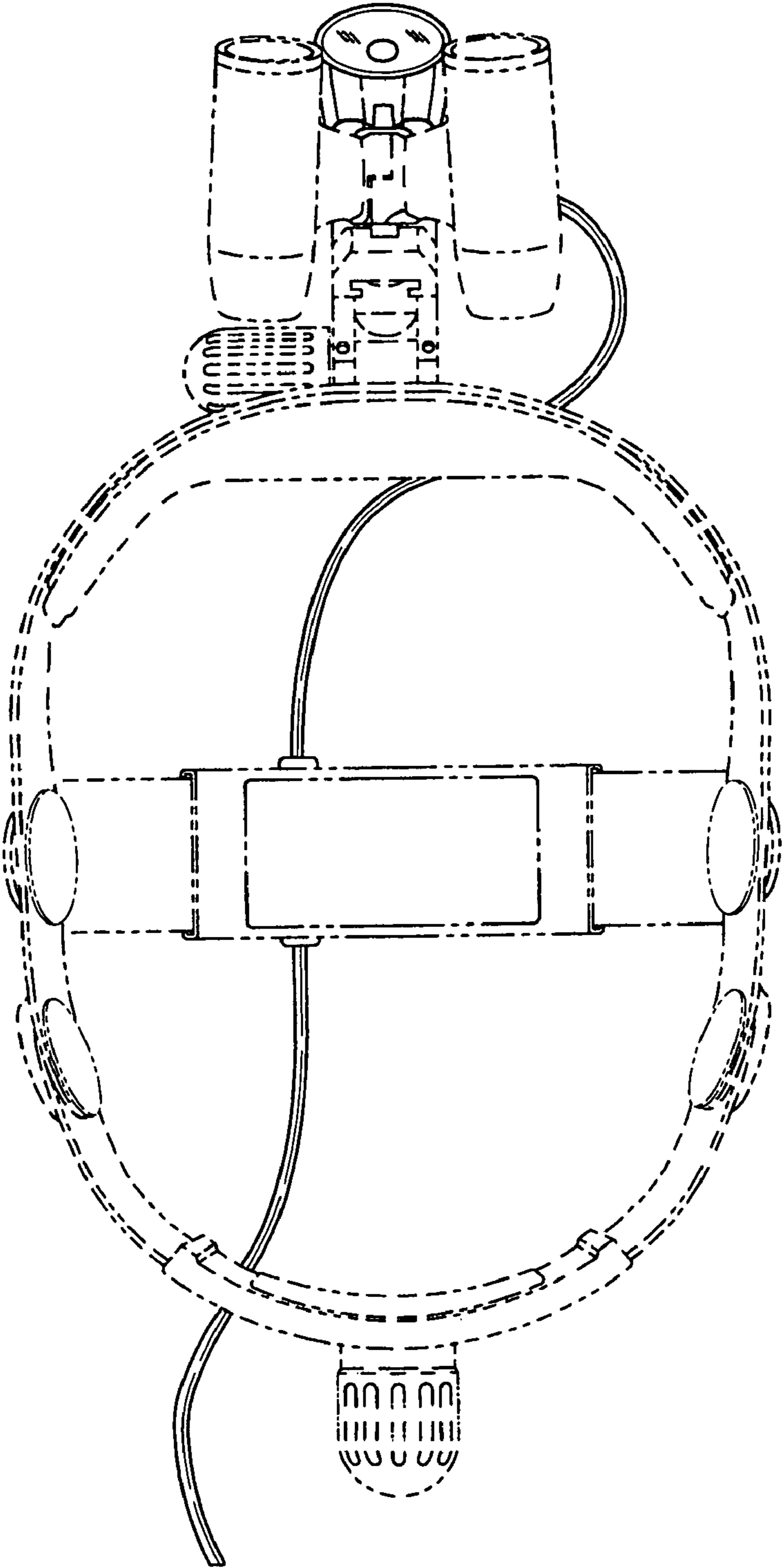


Fig. 11

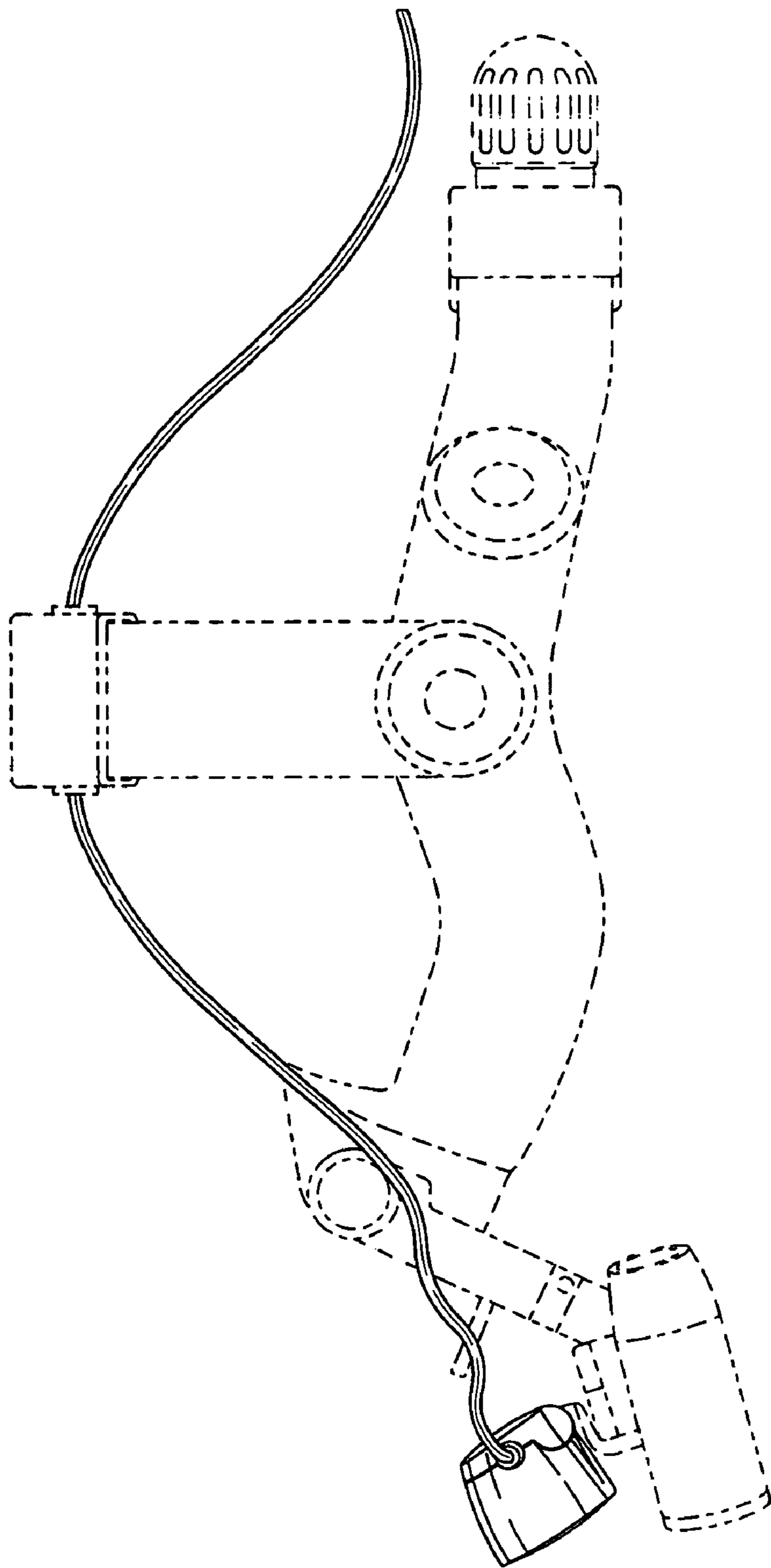
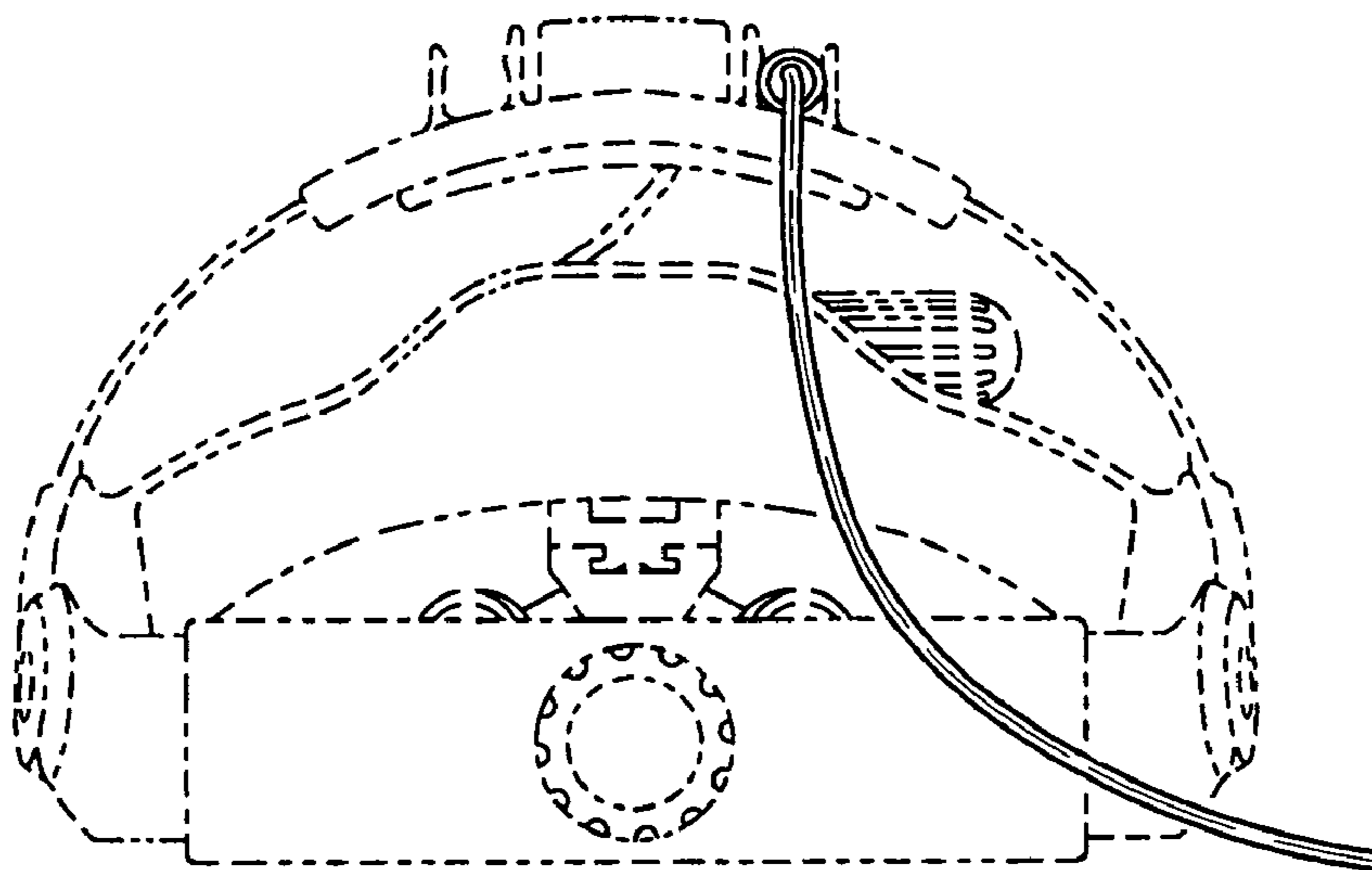
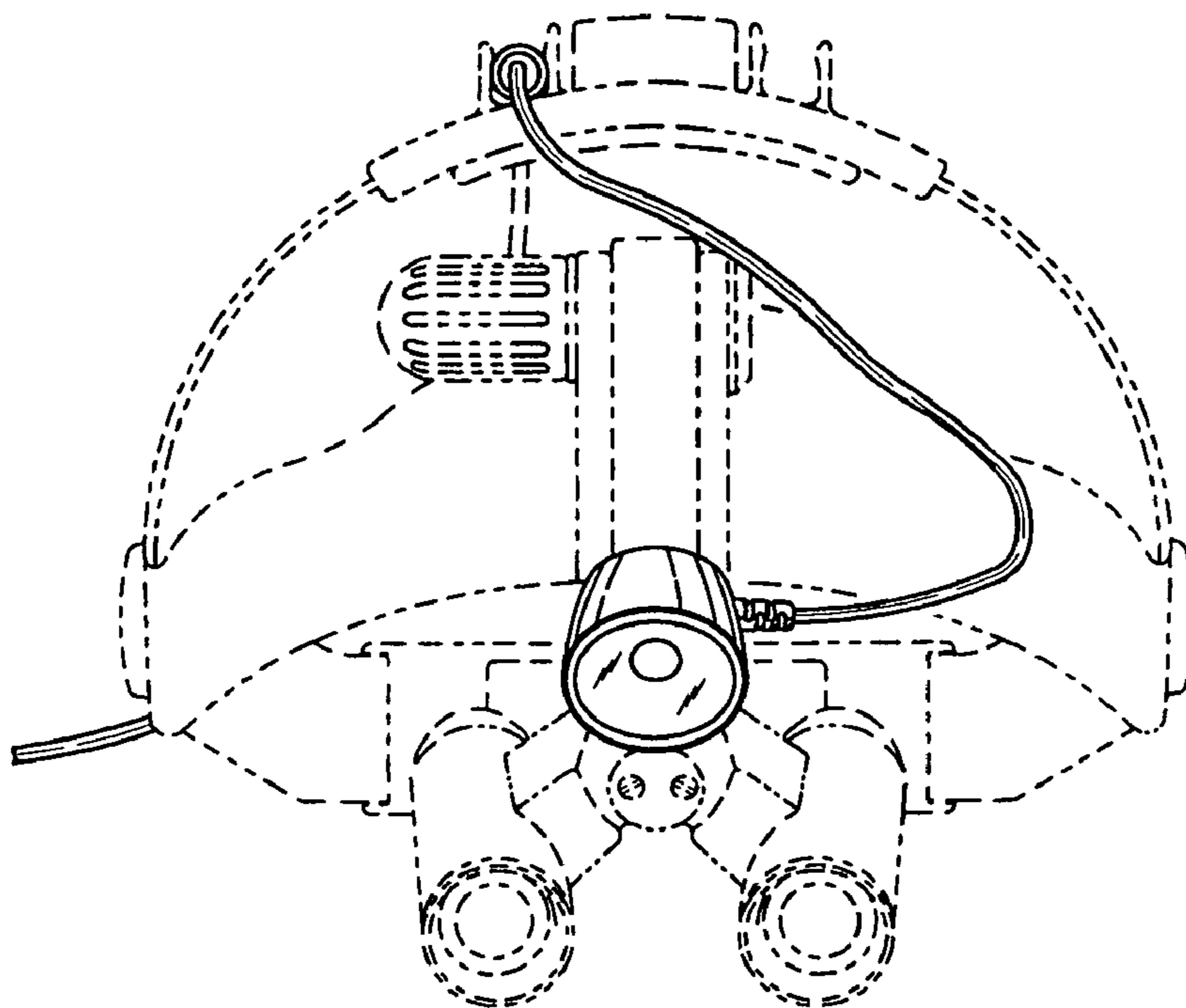


Fig. 12



**Fig. 13**



**Fig. 14**

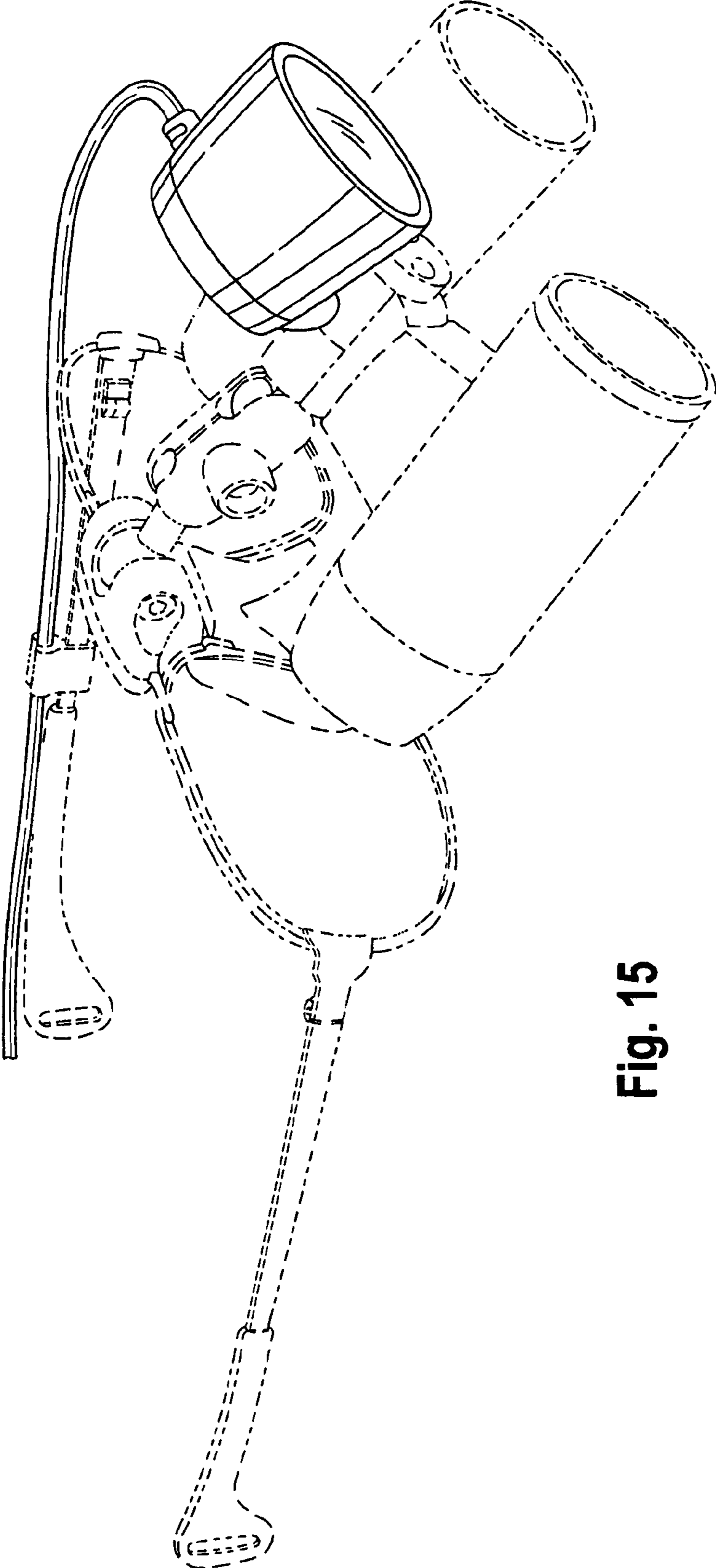
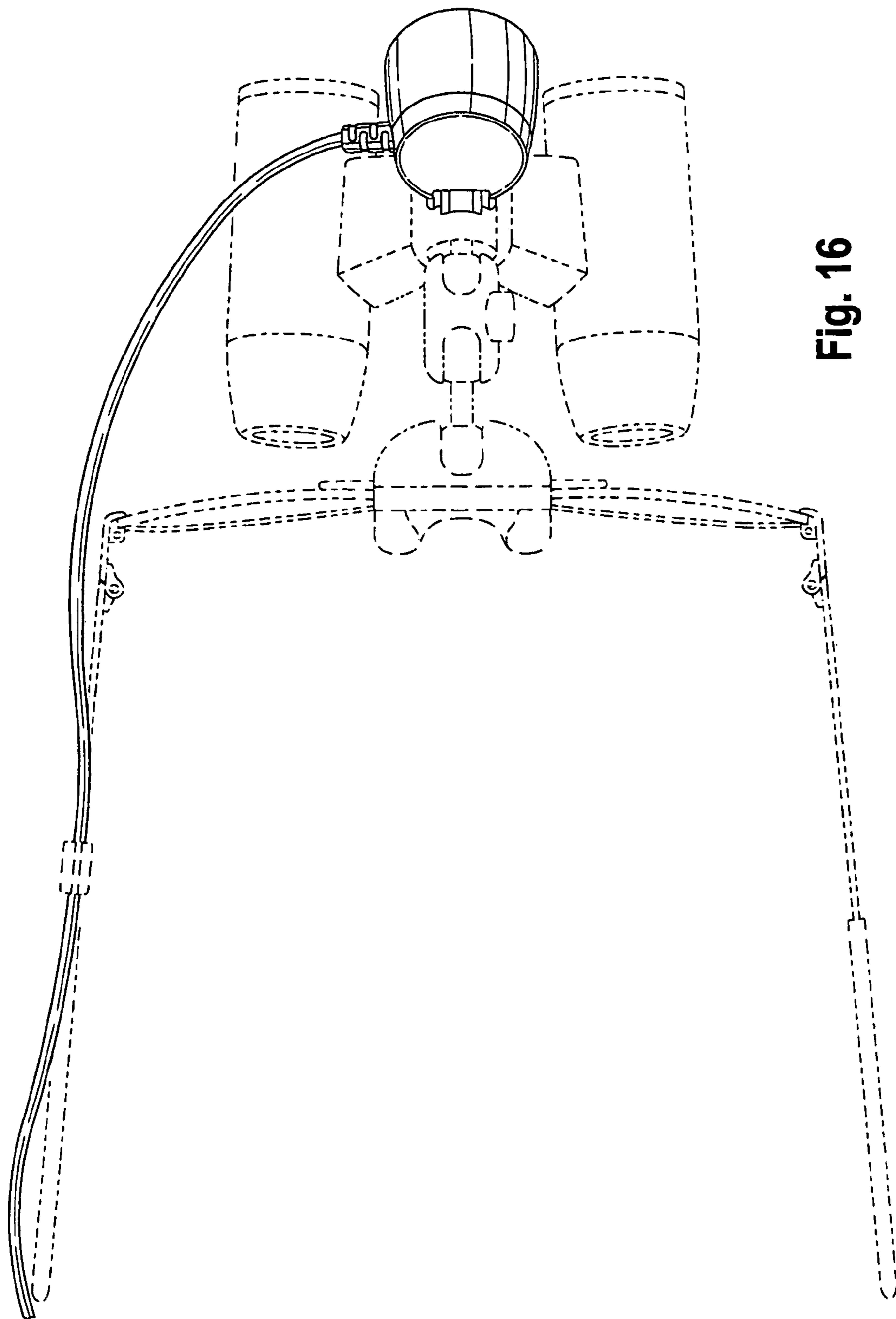


Fig. 15





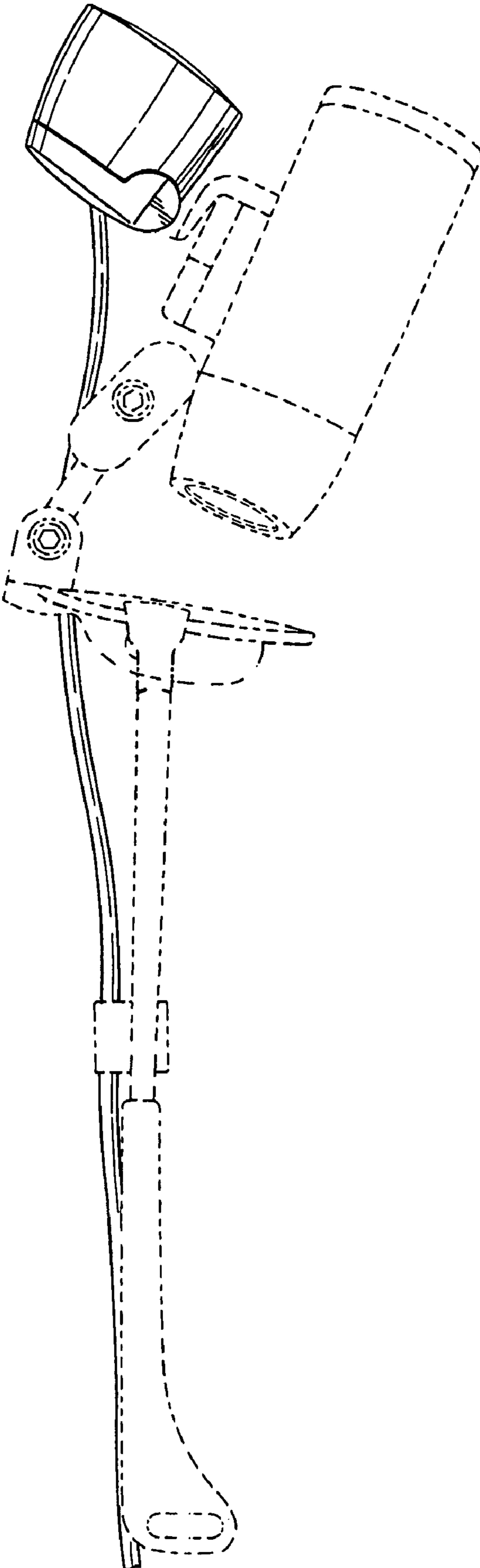


Fig. 17

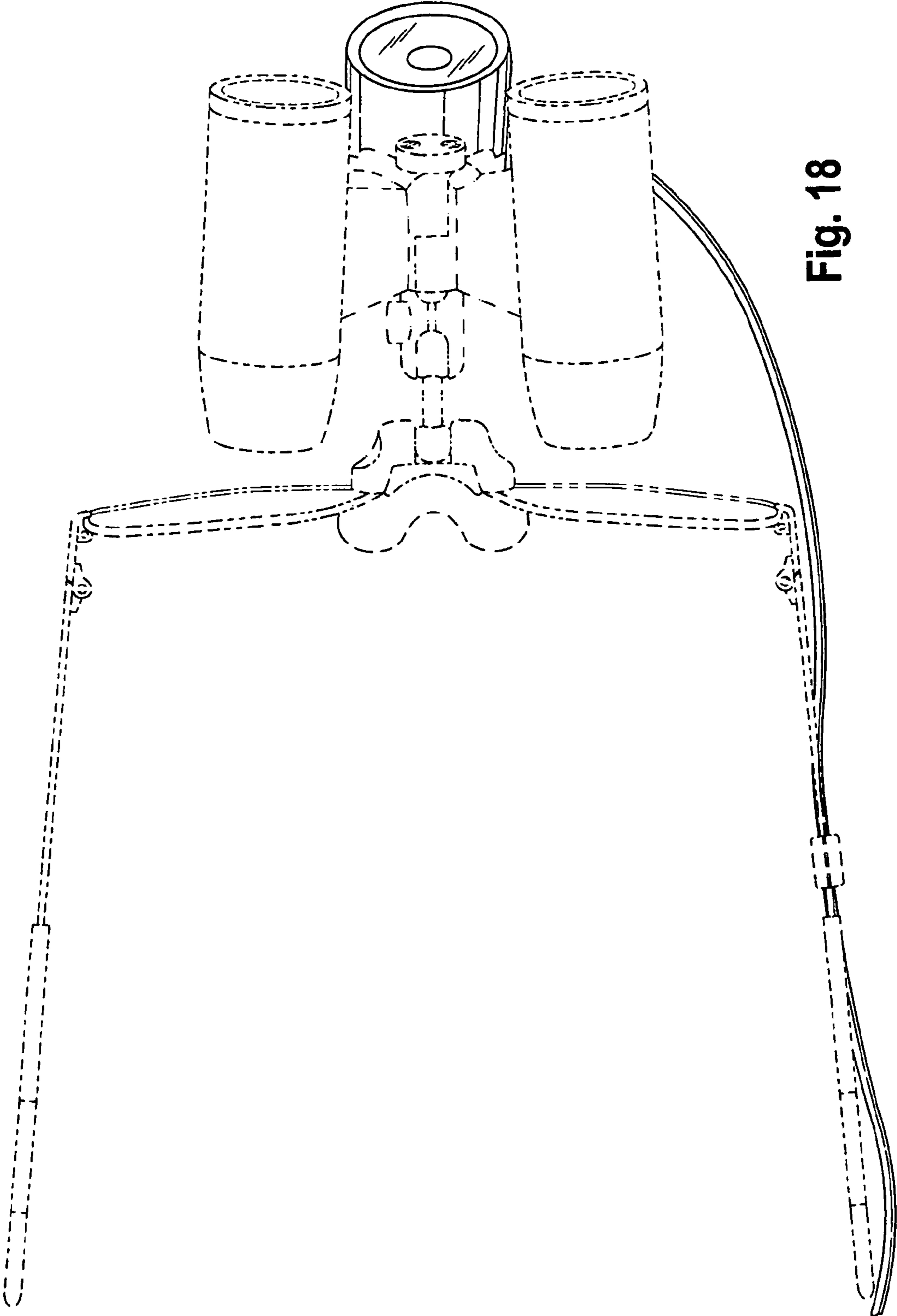


Fig. 18

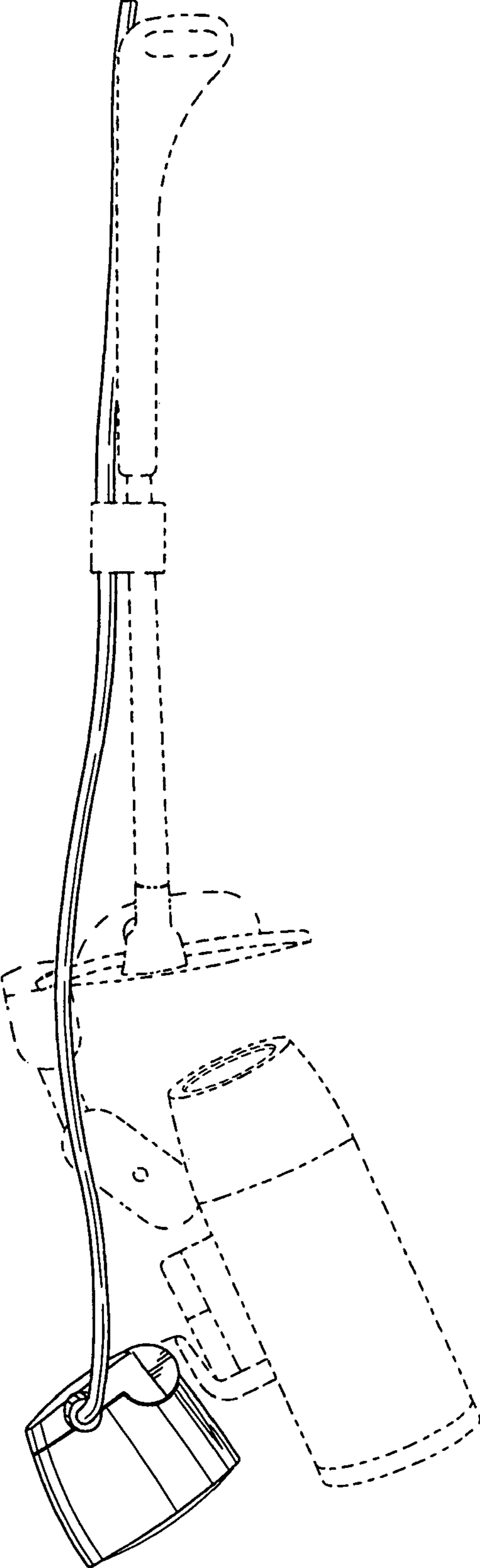
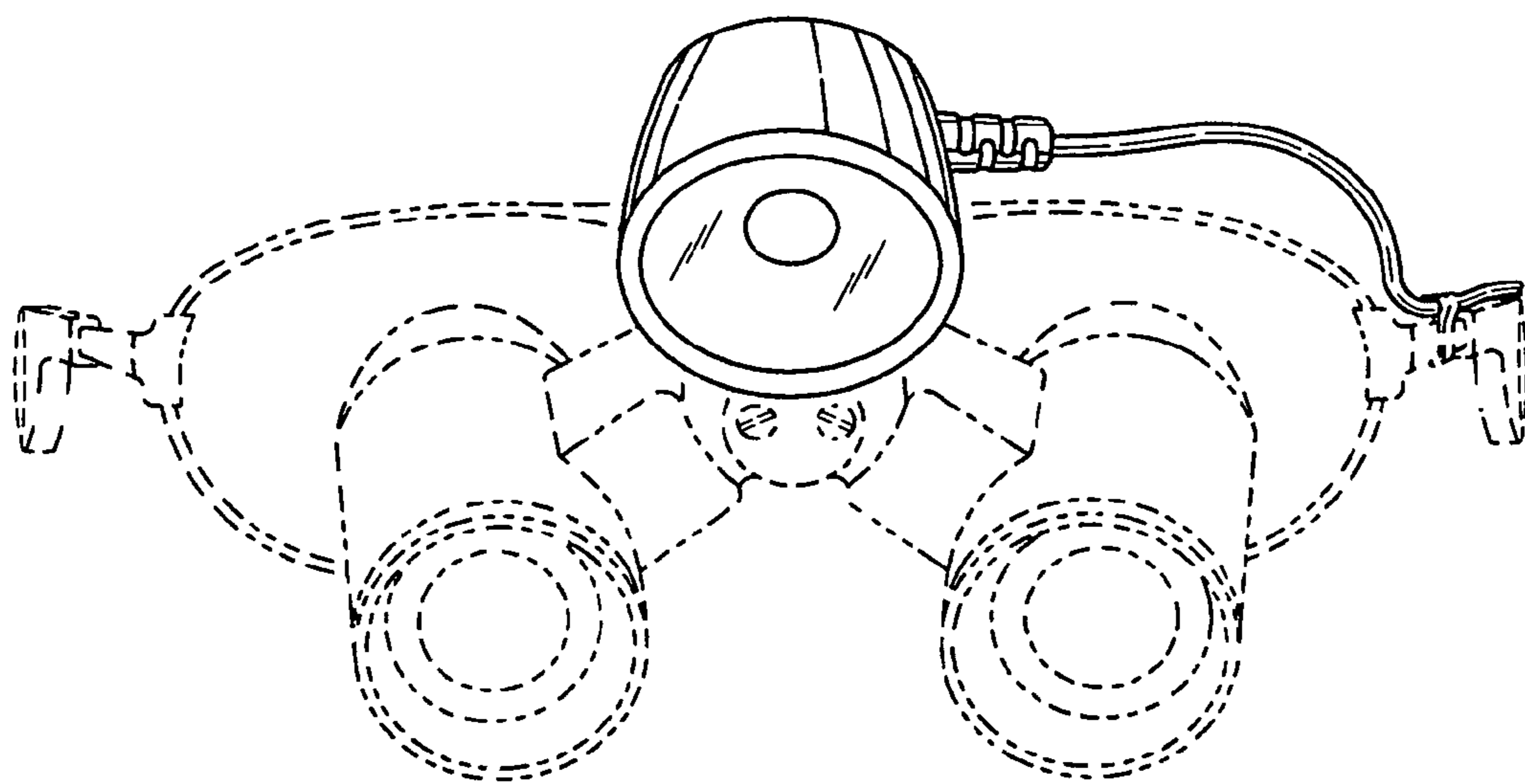
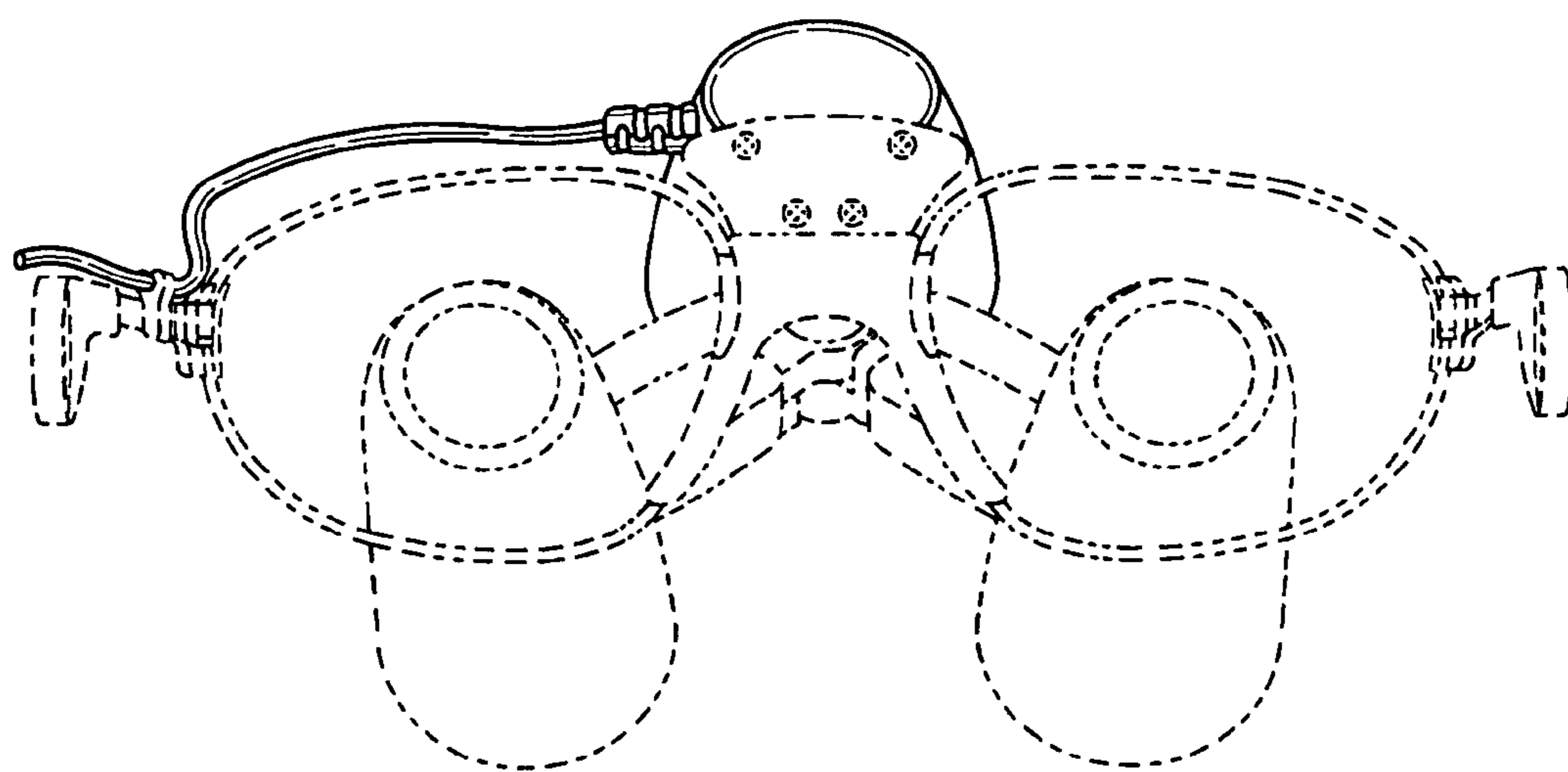


Fig. 19



**Fig. 20**



**Fig. 21**